



US00D361742S

United States Patent [19]

[11] Patent Number: **Des. 361,742**

Matlaga

[45] Date of Patent: **** Aug. 29, 1995**

[54] **BICYCLE DISPLAY RACK**

[76] Inventor: **Bill Matlaga**, 10765 Wheatfield La., Parker, Colo. 80134

[*] Notice: The portion of the term of this patent subsequent to Aug. 22, 2009 has been disclaimed.

[**] Term: **14 Years**

[21] Appl. No.: **3,854**

[22] Filed: **Jan. 19, 1993**

[52] U.S. Cl. **D12/115; D6/457**

[58] Field of Search 56/455, 415, 566, 457-461, 56/462-465, 466-468; D12/115; 211/17, 18, 19, 22, 74, 163

1,888,324	11/1932	Matthai	211/74
4,171,077	10/1979	Richard, Jr.	211/18 X
4,552,270	11/1985	Lentz et al.	D6/465 X
5,036,987	8/1991	Smiedt	211/22
5,238,125	8/1993	Smith	211/19 X
5,246,120	9/1993	Walker	211/19

OTHER PUBLICATIONS

Equipto ad, Feb. 1989 Visual Merch & Store Design p. 125, circled item at lower center.

Primary Examiner—Jeffrey Asch
Attorney, Agent, or Firm—Sheridan Ross & McIntosh

[57] CLAIM

The ornamental design for a bicycle display rack, as shown and described.

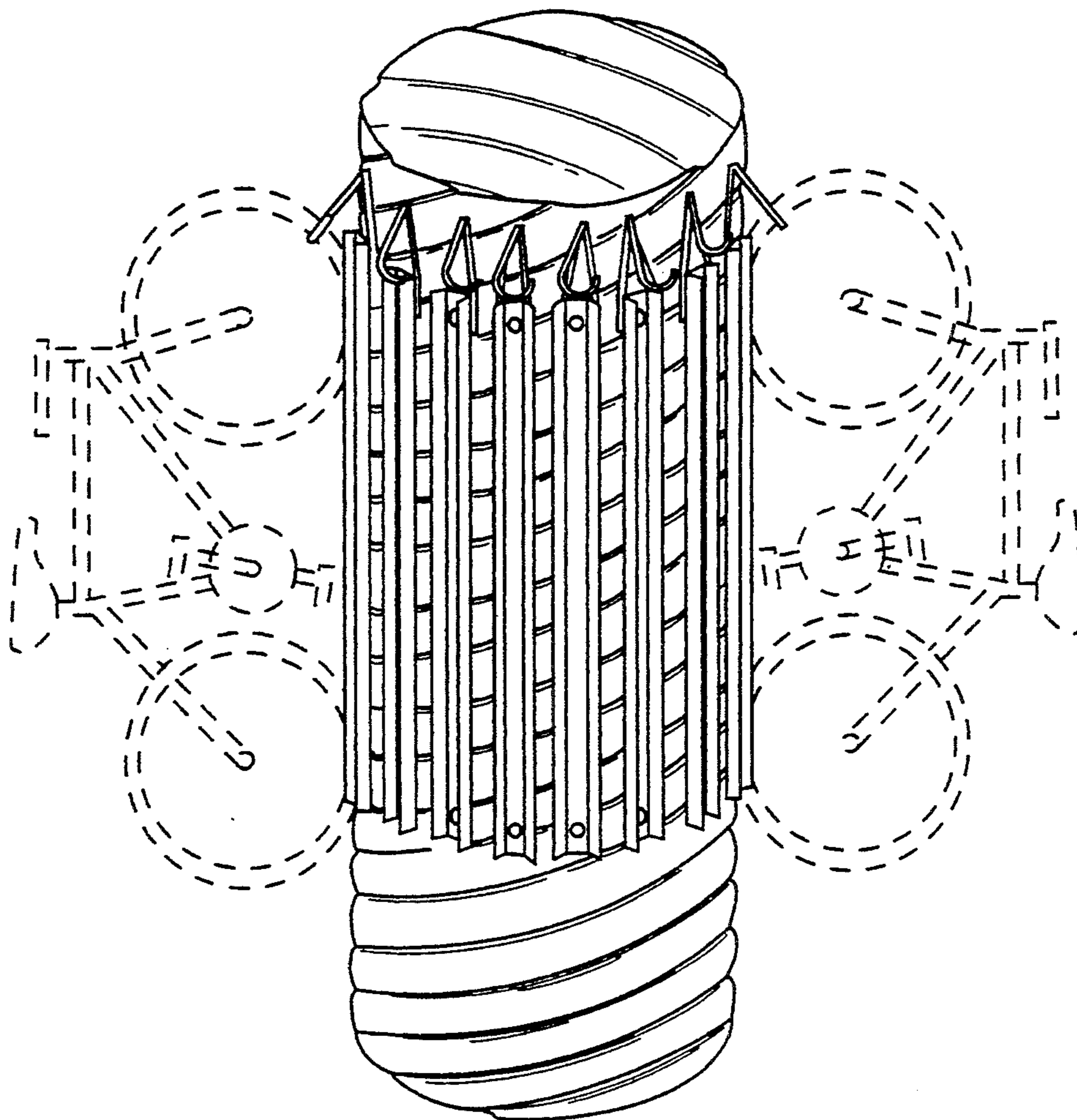
DESCRIPTION

FIG. 1 is a perspective view of the bicycle display rack showing my design, the broken lines are for illustrative purposes only and form no part of the claimed design; FIG. 2 is a typical side elevational view of the bicycle display rack of FIG. 1; and, FIG. 3 is a top elevational view of the bicycle display rack of FIG. 1.

[56] References Cited

U.S. PATENT DOCUMENTS

D. 233,885	12/1974	Myers	D12/115
D. 266,557	10/1982	Smith	D12/115
D. 328,534	8/1992	McClave	D6/457
650,663	5/1900	Whitcher	211/18 X
668,259	2/1901	Krimmert	211/17 X
706,718	8/1902	Bradbury	D12/115



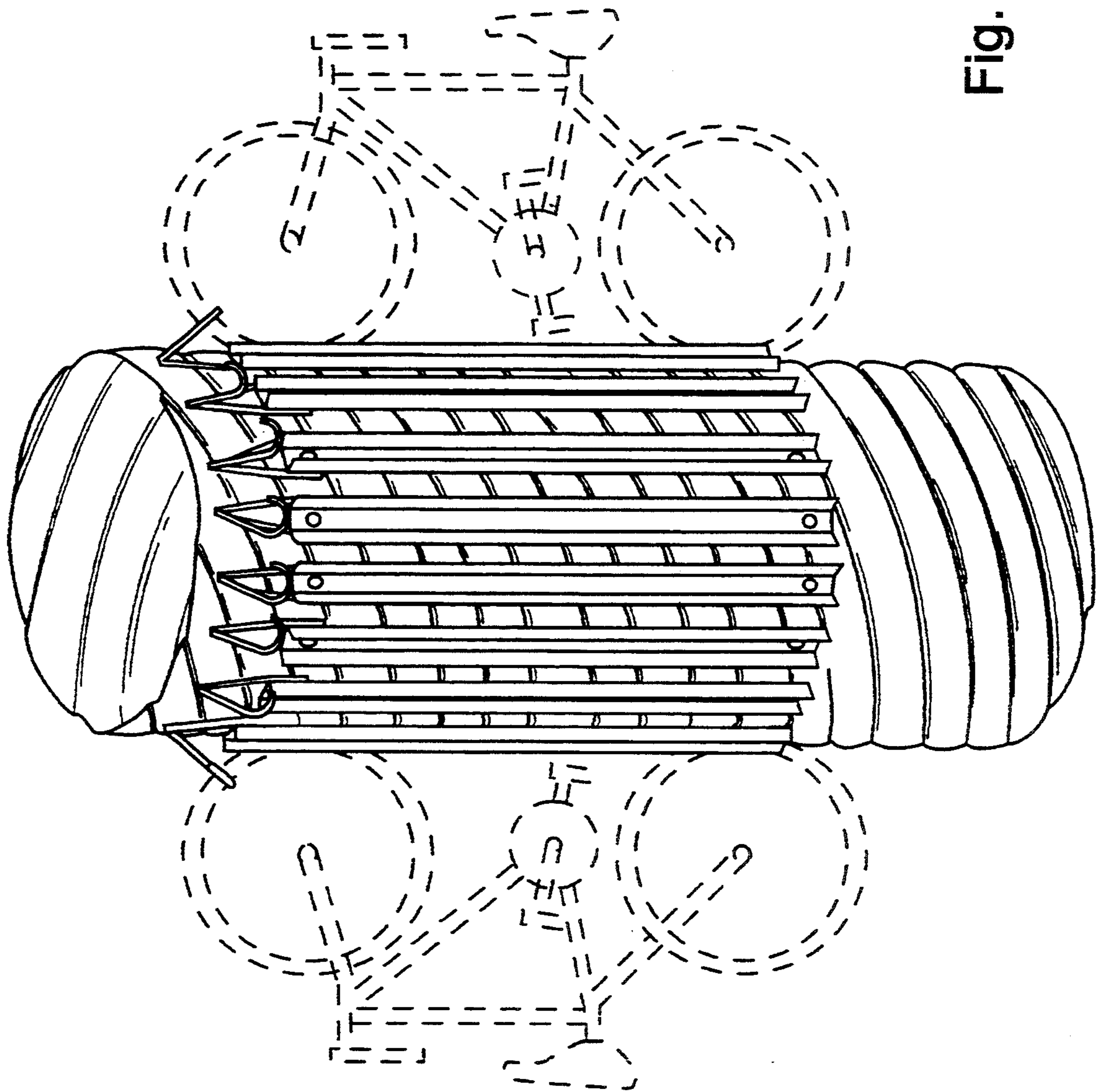


Fig. 1

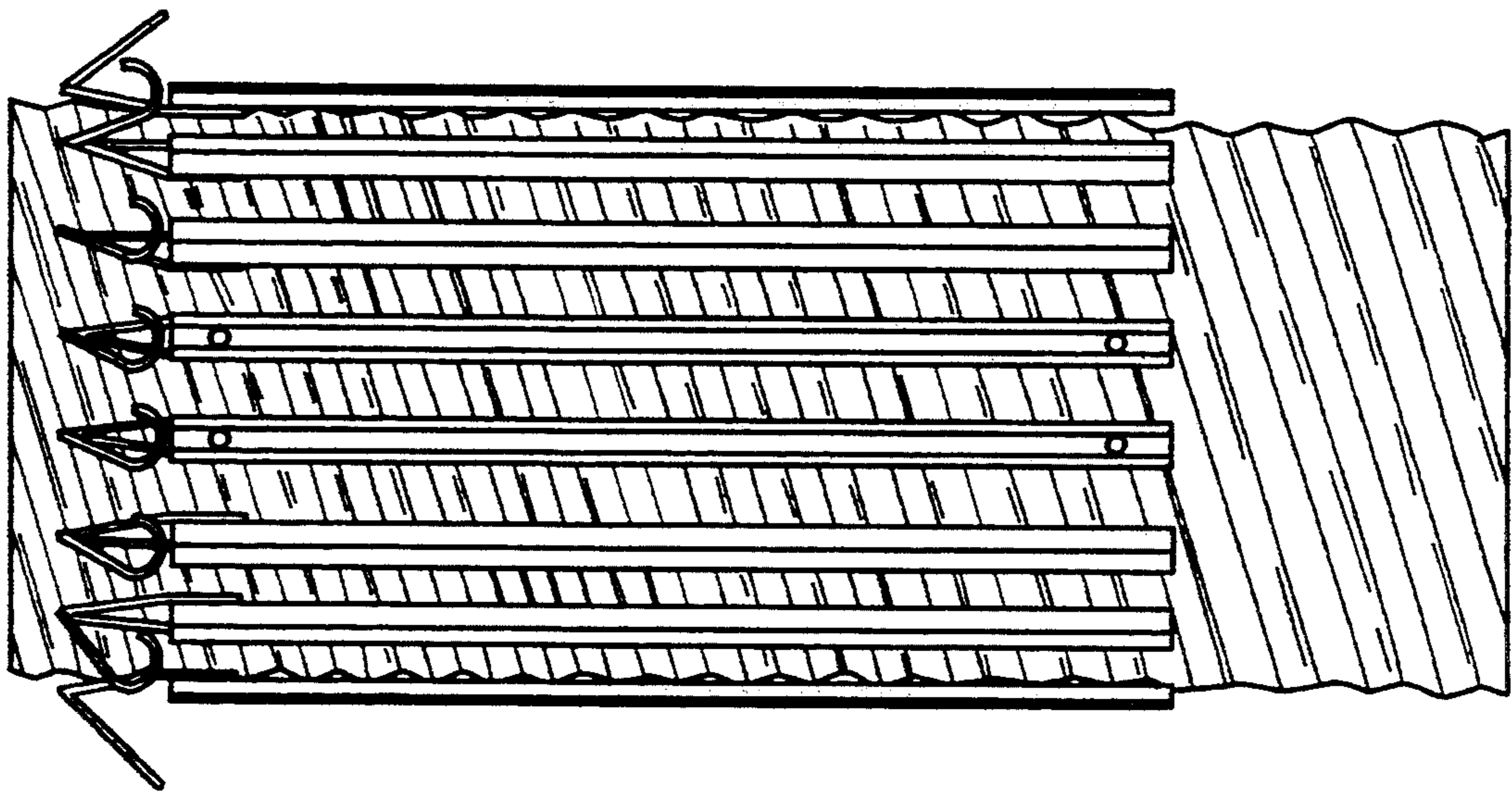


Fig. 2

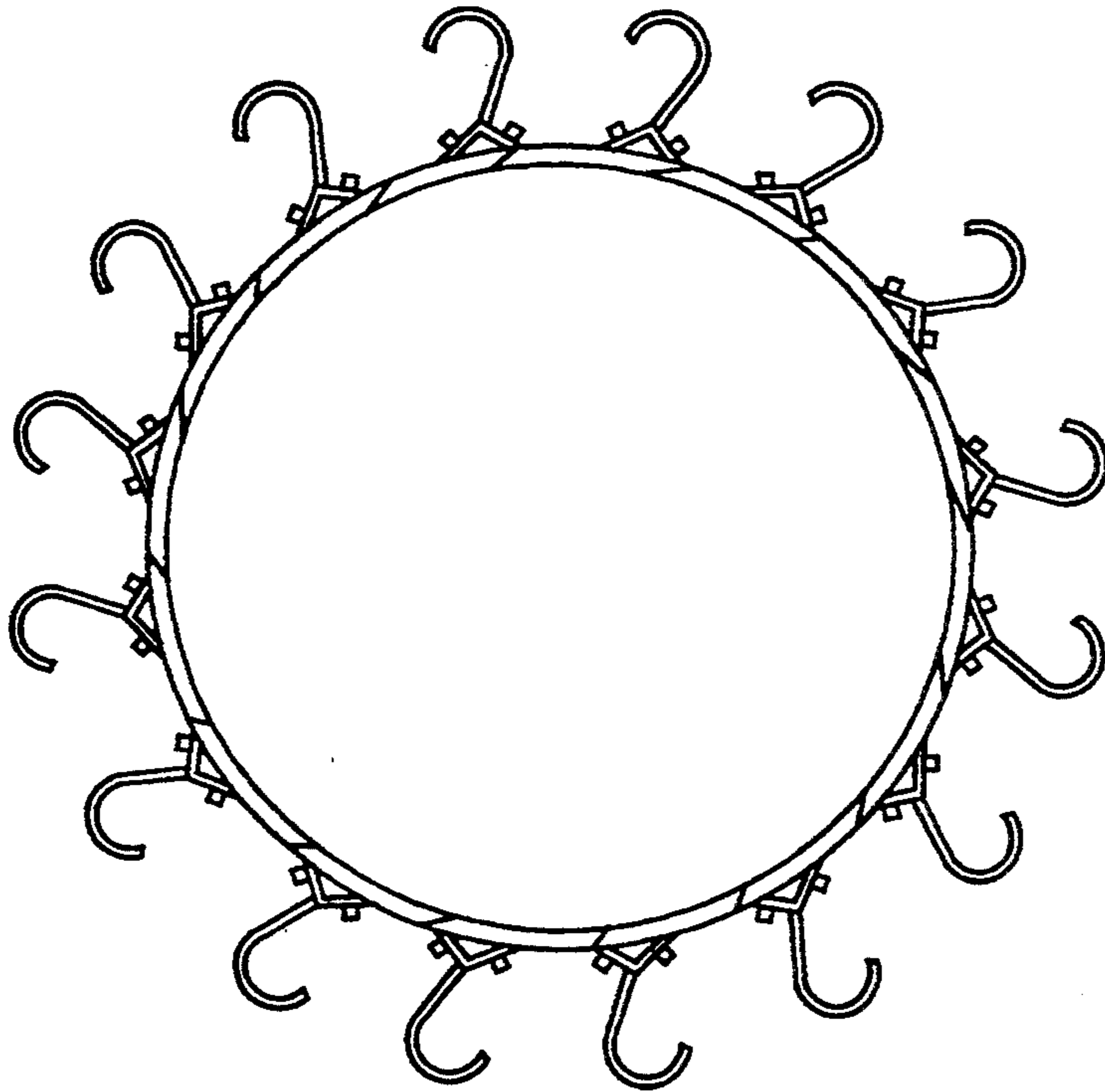


Fig. 3