



US00D361740S

United States Patent [19]
Kidd

[11] **Patent Number: Des. 361,740**

[45] **Date of Patent: ** Aug. 29, 1995**

[54] **INTERCHANGEABLE BUTTON**
[76] Inventor: **Susan F. Kidd**, 3343 Windsor Dr.,
Charlotte, N.C. 28209
[**] Term: **14 Years**
[21] Appl. No.: **747,105**
[22] Filed: **Aug. 19, 1991**
[52] U.S. Cl. **D11/228**
[58] **Field of Search** D11/200, 213, 214, 222,
D11/226, 227, 228, 86; 79/5; 24/113 R, 94, 95,
96, 90 C, 902; 63/2

947,557 1/1910 Nelson 24/94

Primary Examiner—Ralf T. Seifert
Attorney, Agent, or Firm—Shefte, Pinckney & Sawyer

[57] **CLAIM**

The ornamental design for interchangeable button, as shown and described.

DESCRIPTION

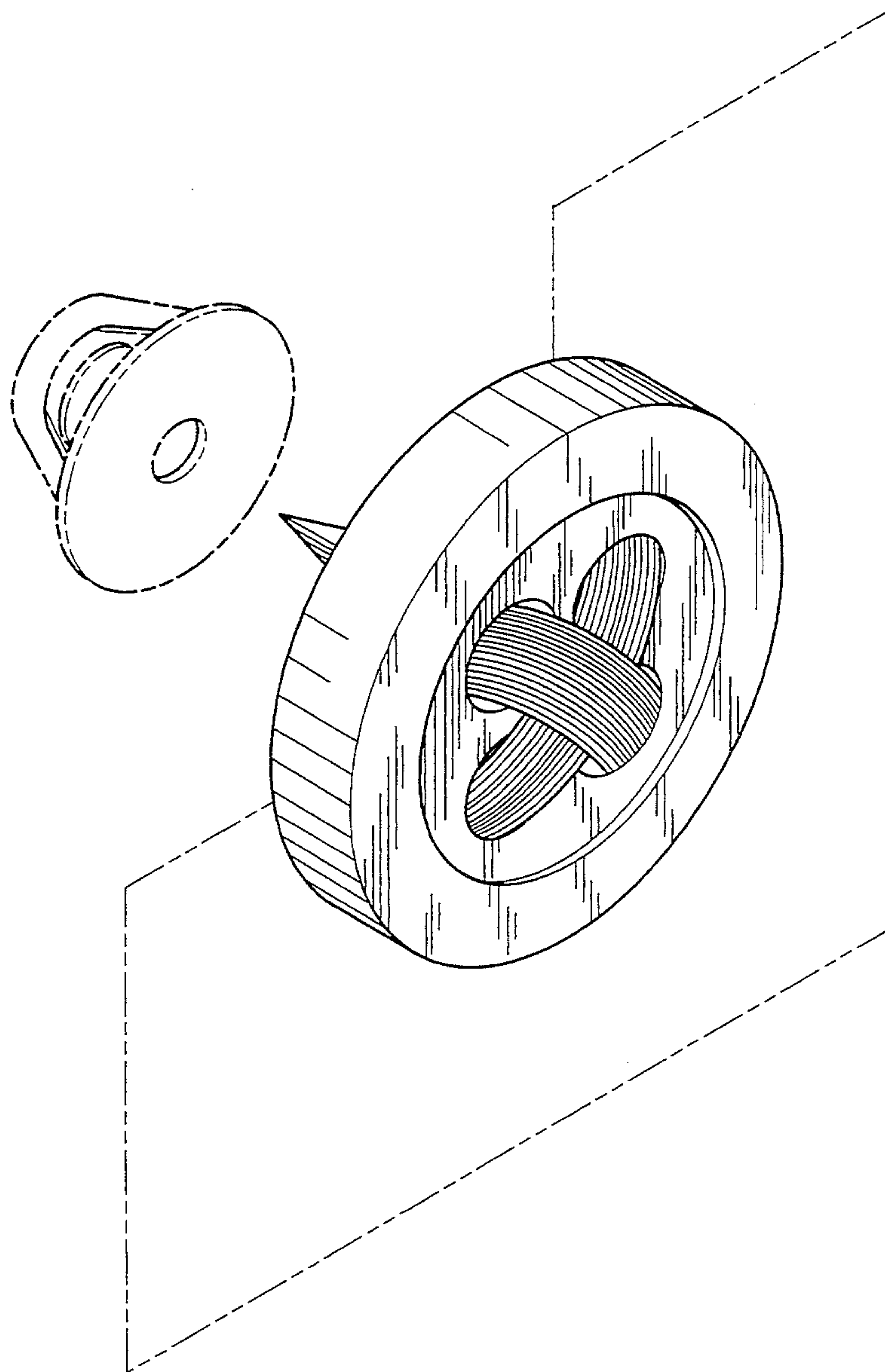
FIG. 1 is a perspective view of an interchangeable button device showing my new design; FIG. 2 is a top plan view thereof; FIG. 3 is a bottom view thereof; and, FIG. 4 is a side view thereof.

The broken line showing of a fastening element and swatch is for illustrative purposes only and forms no part of the claimed design.

[56] **References Cited**

U.S. PATENT DOCUMENTS

452,045 5/1891 Jackson 24/95
522,239 7/1894 Shipley et al. 24/95



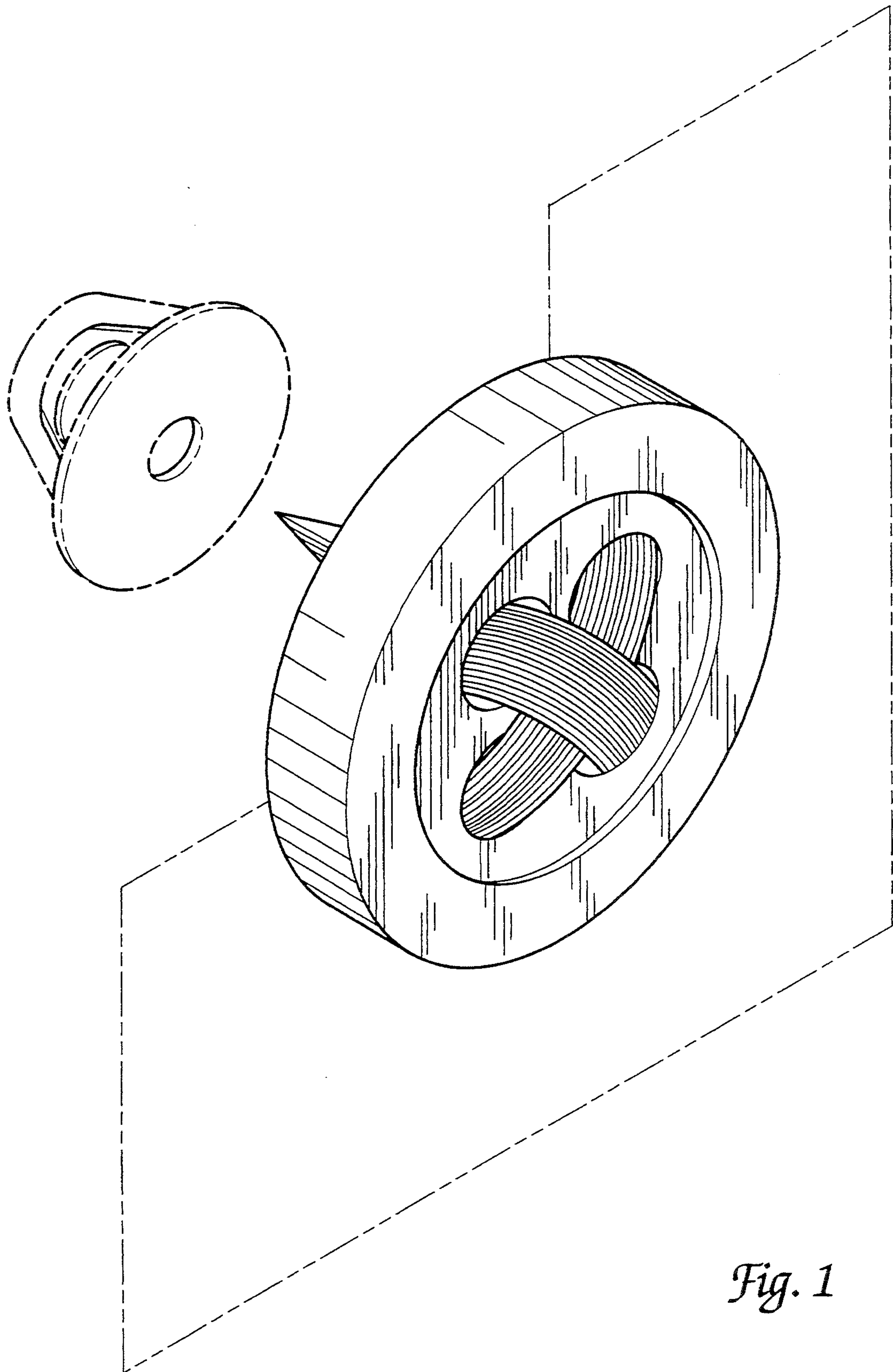


Fig. 1

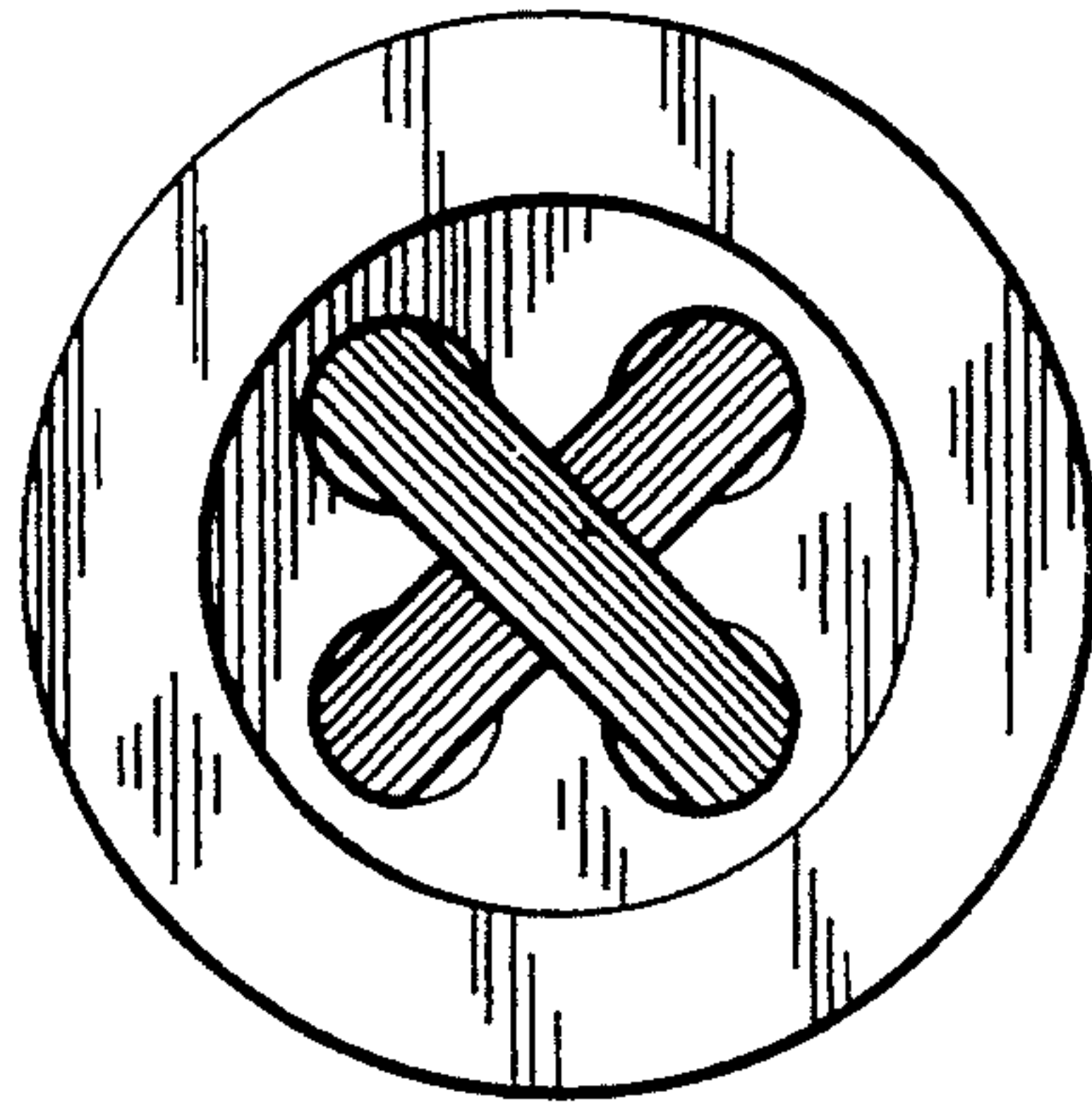


Fig. 2

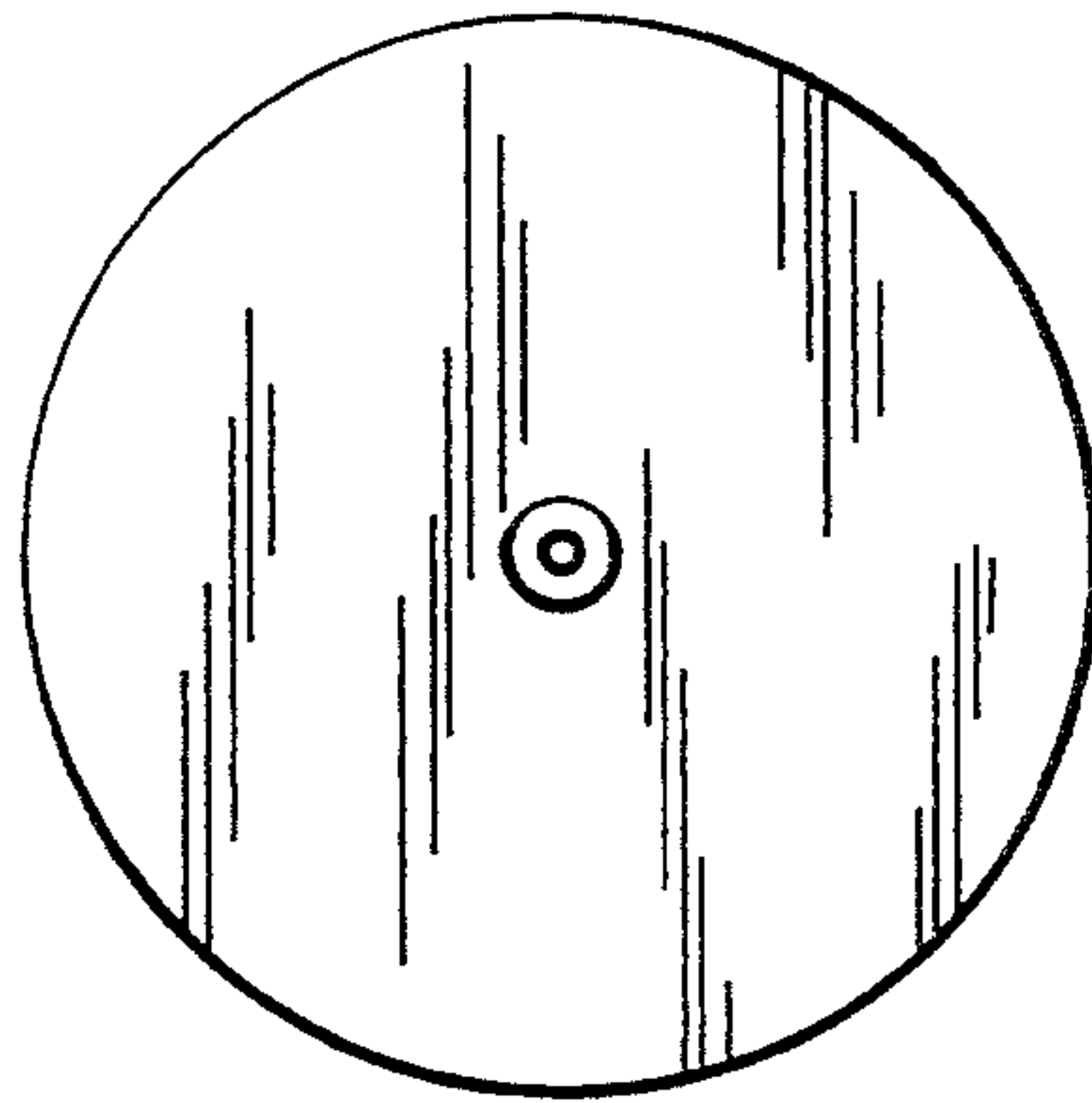


Fig. 3

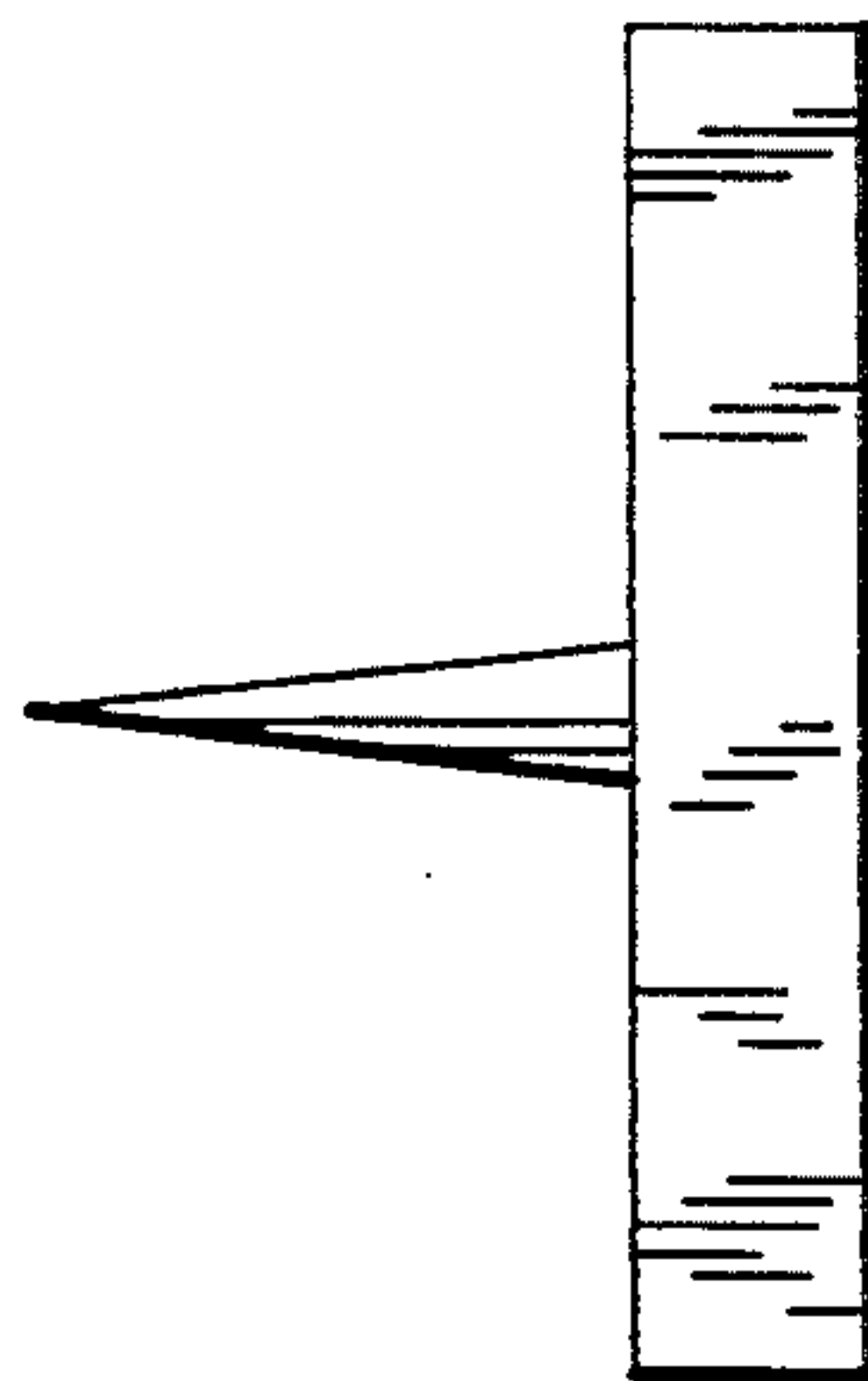


Fig. 4