



US00D361734S

# United States Patent [19]

[11] Patent Number: **Des. 361,734**

Weder et al.

[45] Date of Patent: **\*\* Aug. 29, 1995**

- [54] **FLOWER POT COVER**
- [75] Inventors: **Donald E. Weder; Joseph G. Straeter,**  
both of Highland, Ill.
- [73] Assignee: **Highland Supply Corporation,**  
Highland, Ill.
- [\*] Notice: The portion of the term of this patent  
subsequent to Jul. 9, 2005 has been  
disclaimed.
- [\*\*] Term: **14 Years**
- [21] Appl. No.: **807,678**
- [22] Filed: **Dec. 16, 1991**

- D. 292,561 11/1987 Weder et al. .... D11/164
- D. 292,562 11/1987 Weder et al. .... D11/164
- D. 292,563 11/1987 Weder et al. .... D11/164
- D. 293,222 12/1987 Weder et al. .... D11/164
- D. 293,223 12/1987 Weder et al. .... D11/164
- D. 293,224 12/1987 Weder et al. .... D11/164
- D. 293,304 12/1987 Weder et al. .... D11/164
- D. 293,305 12/1987 Weder et al. .... D11/164
- D. 293,306 12/1987 Weder et al. .... D11/164

(List continued on next page.)

### Related U.S. Application Data

- [63] Continuation-in-part of Ser. No. 710,272, Jun. 4, 1991,  
which is a continuation-in-part of Ser. No. 617,454,  
Nov. 21, 1990, abandoned, and a continuation-in-part  
of Ser. No. 411,249, Sep. 22, 1989, and a continuation-  
in-part of Ser. No. 411,247, Sep. 22, 1989, and a con-  
tinuation-in-part of Ser. No. 411,245, Sep. 22, 1989.
- [52] U.S. Cl. .... **D11/164; D11/143**
- [58] Field of Search ..... **D11/143, 152, 153, 154,**  
**D11/155, 156, 164; 47/66, 72; 206/423;**  
**215/100.5; 229/1.5 B, 4.5, 922; 248/27.8, 35.1,**  
**542.6**

### FOREIGN PATENT DOCUMENTS

- 103316 3/1938 Australia ..... 229/922
- 560532 4/1975 Switzerland .

### OTHER PUBLICATIONS

- Exhibit A—Speed Cover® Brochure—The Simple  
Solution . . . , ©1989.
  - Exhibit A. Curtis Wagner Co., Inc., Houston, Tex.,
- (List continued on next page.)

*Primary Examiner*—Martie Thompson  
*Attorney, Agent, or Firm*—Dunlap & Coddling

### [56] References Cited

#### U.S. PATENT DOCUMENTS

- D. 47,800 9/1915 Pick .
- D. 132,559 5/1942 Sawyer ..... D11/153
- 209,788 11/1878 Affel .
- D. 254,659 4/1980 Karotseris ..... D11/143
- D. 287,950 1/1987 Weder et al. .... D11/143
- D. 289,024 3/1987 Vaughn ..... D11/164
- D. 289,982 5/1987 Weder et al. .... D11/164
- D. 292,182 10/1987 Weder et al. .... D11/164
- D. 292,183 10/1987 Weder et al. .... D11/164
- D. 292,184 10/1987 Weder et al. .... D11/164
- D. 292,185 10/1987 Weder et al. .... D11/164
- D. 292,186 10/1987 Weder et al. .... D11/164
- D. 292,187 10/1987 Weder et al. .... D11/164
- D. 292,188 10/1987 Weder et al. .... D11/164
- D. 292,189 10/1987 Weder et al. .... D11/164
- D. 292,190 10/1987 Weder et al. .... D11/164
- D. 292,191 10/1987 Weder et al. .... D11/164

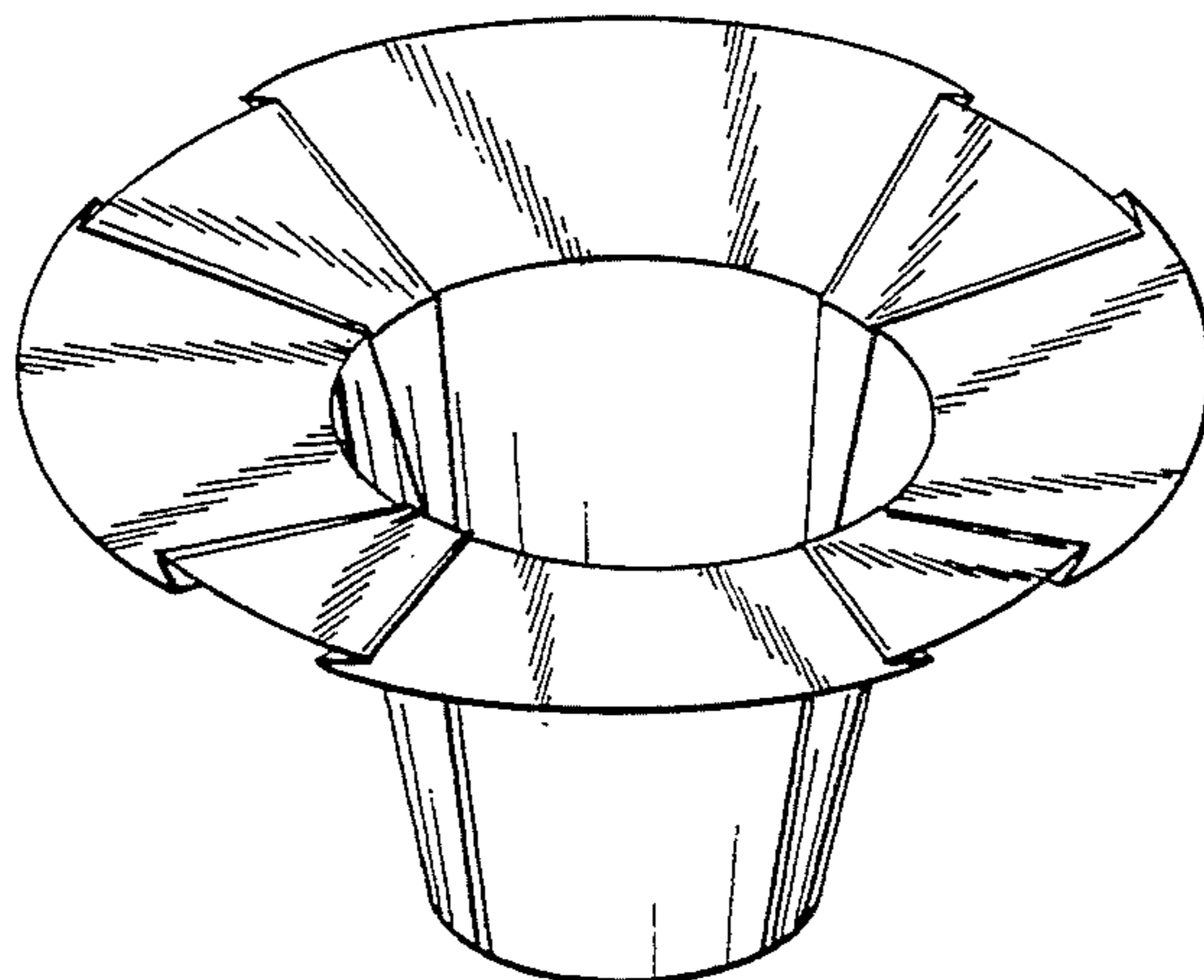
### [57] CLAIM

The ornamental design for a flower pot cover, as shown  
and described.

### DESCRIPTION

FIG. 1 is a perspective view of our new flower pot cover design;  
FIG. 2 is a reduced side elevational view thereof;  
FIG. 3 is a reduced top plan view thereof;  
FIG. 4 is a reduced bottom plan view thereof;  
FIG. 5 is a reduced side elevational view of the design  
of FIG. 1, the only difference being the angle of the  
skirt; and,  
FIG. 6 is a reduced side elevational view of the design  
of FIG. 1, the only difference being the angle of the  
skirt.

The flower pot cover has no substantial thickness.  
The characteristic feature of the design resides in the  
specific pleating arrangement comprised of the parallel  
disposition of the exterior folds in combination with the  
interior V-shaped folds, all as best shown in FIG. 1.





## U.S. PATENT DOCUMENTS

D. 293,307	12/1987	Weder et al.	D11/164	3,271,922	9/1966	Wallerstein et al.	53/3
D. 293,308	12/1987	Weder et al.	D11/164	3,488,022	1/1970	Vittori	248/152
D. 293,774	1/1988	Weder et al.	D11/164	3,542,616	11/1970	Cain et al.	156/224
D. 293,775	1/1988	Weder et al.	D11/164	3,820,684	6/1974	Harrison	206/520
D. 296,535	7/1988	Weder et al.	D11/149	3,962,503	6/1976	Crawford	428/40
D. 297,422	8/1988	Weder et al.	D11/164	4,043,077	8/1977	Stonehocker	47/66
D. 298,017	10/1988	Weder et al.	D11/164	4,118,890	10/1978	Shore	47/28
D. 301,565	6/1989	Weder	D11/152	4,170,618	10/1979	Adams	264/101
D. 302,139	7/1989	Weder	D11/153	4,216,620	8/1980	Weder et al.	47/72
D. 302,253	7/1989	Weder	D11/153	4,300,312	11/1981	Weder et al.	47/72
D. 302,254	7/1989	Weder	D11/153	4,408,644	10/1983	Svantesson	150/55
D. 302,404	7/1989	Weder	D11/153	4,413,725	11/1983	Bruno et al.	206/45.33
D. 302,405	7/1989	Weder	D11/155	4,508,223	4/1985	Catrambone	206/423
D. 302,406	7/1989	Weder	D11/155	4,712,725	12/1987	Moore	229/8
D. 302,407	7/1989	Weder	D11/155	4,733,521	3/1988	Weder et al.	53/580
D. 303,759	10/1989	Mileos	D9/306	4,773,182	9/1988	Weder et al.	47/72
D. 303,775	10/1989	Weder	D11/155	4,795,601	1/1989	Cheng	264/138
D. 313,376	1/1991	Weder	D11/164	4,813,862	3/1989	Bowers et al.	425/87
D. 313,573	1/1991	Weder et al.	D11/164	4,835,834	6/1989	Weder	29/525
D. 313,574	1/1991	Weder et al.	D11/164				
D. 313,575	1/1991	Weder et al.	D11/164				
D. 313,576	1/1991	Weder	D11/164				
D. 314,732	2/1991	Weder	D11/164				
D. 315,534	3/1991	Weder et al.	D11/164				
D. 315,878	4/1991	Weder et al.	D11/164				
D. 315,879	4/1991	Weder et al.	D11/164				
D. 315,880	4/1991	Weder et al.	D11/164				
D. 315,881	4/1991	Weder et al.	D11/164				
D. 315,882	4/1991	Weder	D11/164				
D. 315,883	4/1991	Weder	D11/164				
D. 316,060	4/1991	Weder	D11/164				
D. 316,061	4/1991	Weder	D11/164				
D. 316,062	4/1991	Weder et al.	D11/164				
D. 316,837	5/1991	Weder et al.	D11/164				
D. 316,838	5/1991	Weder et al.	D11/164				
D. 316,985	5/1991	Weder	D11/164				
D. 317,424	6/1991	Weder	D11/164				
D. 317,582	6/1991	Weder	D11/164				
D. 317,583	6/1991	Weder et al.	D11/164				
D. 318,029	7/1991	Weder	D11/164				
D. 318,030	7/1991	Weder et al.	D11/164				
D. 318,070	7/1991	Weder et al.	D11/164				
D. 318,635	7/1991	Weder et al.	D11/164				
D. 319,034	8/1991	Weder et al.	D11/164				
D. 319,417	8/1991	Weder et al.	D11/164				
D. 319,991	9/1991	Weder	D11/164				
1,065,486	6/1913	Washburn	229/1.5 B				
1,069,675	8/1913	Claussen	.				
1,446,563	2/1923	Hughes	.				
1,520,647	12/1924	Hennegan	.				
1,632,347	6/1927	Pipkin	.				
1,868,853	7/1932	Sievers	.				
1,924,926	8/1933	Gray	.				
1,951,642	3/1934	Augustin et al.	47/34				
2,054,934	9/1936	Graffenberger	229/1.5 B				
2,102,510	12/1937	Cecil, II	229/1.5 B				
2,302,259	11/1942	Rothfuss	41/10				
2,355,559	8/1944	Renner	229/8				
2,482,981	9/1949	Kamrass	41/13				
2,570,954	10/1951	Kasman	65/53				
2,967,652	1/1961	Canfield et al.	229/5.5				
3,022,605	2/1962	Reynolds	47/58				
3,232,469	2/1966	Piazze	215/38				

## OTHER PUBLICATIONS

shows thick, stiff shiny red plastic pot cover with large scalloped border. (Photograph) Date unknown.

Exhibit B. Jacobson Pot Cover Company of Scranton, Pa. advertising literature. Date of first use unknown.

Exhibit C. Photograph of pot cover, manufacturer unknown, but very similar to #C21 on Exhibit B (Jacobson literature) Date unknown.

Exhibit D. Photocopy of photo of pot cover ("Platform Pot Dresser") made by John Raisen Corp., San Francisco, Calif. Date of first use unknown.

Exhibit E. Photograph of 2-part pot cover system made by Floral Decor, subsidiary of John Henry Co., Lansing, Mich. Date unknown.

Exhibit F. Photo of pot cover made by a Holland company (K.P.I.). Date of first public use believed to be late 1984.

Exhibit G. "The Glass of Frederick Carder", copyright 1971 by P. V. Gardner, showing various styles of glass basket-like vases or containers.

Exhibit H. "Speed Cover®" brochure, published in 1983 by Applicants, showing various pot covers for sale.

Exhibit I. "Speed Cover®" brochure, published in 1983 by Applicants, showing various pot covers for sale.

Exhibit J. Item published in 1936 by Gellman Bros., Minneapolis, Minn. Shows an assortment of paper hats.

Exhibit K. Photo of various other flower pot wrappings, sold in rolls or sheets and used in the floral industry for years. Date unknown.

Exhibit L. Photo of pot covering made of woven straw-like material. Date unknown.

Exhibit M. Photo of basket-type pot cover used in the floral industry. Date unknown.

Exhibit N. "Speed Cover®" brochure, published in 1984 by Applicants, showing various pot covers for sale.



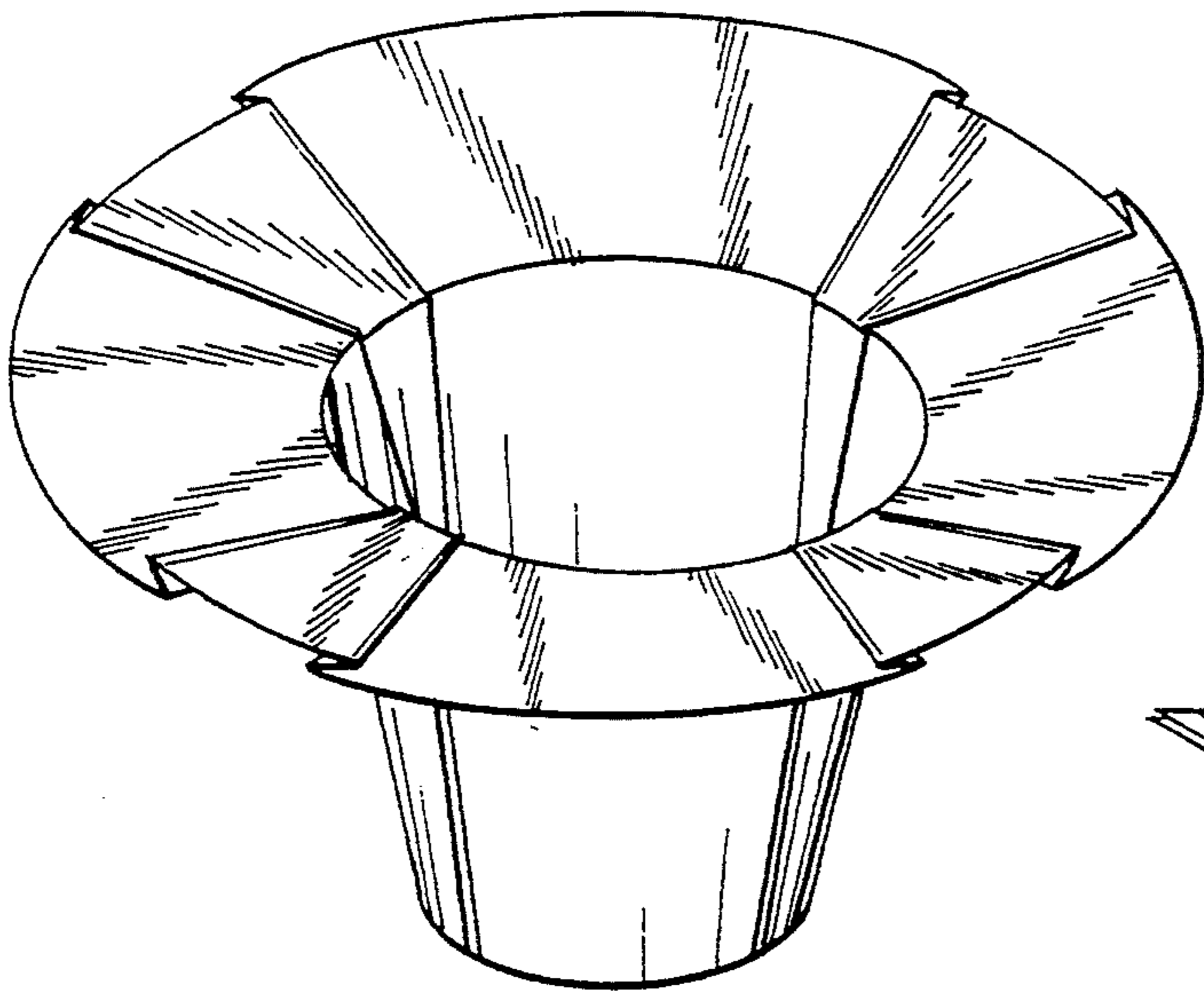


FIG. 1

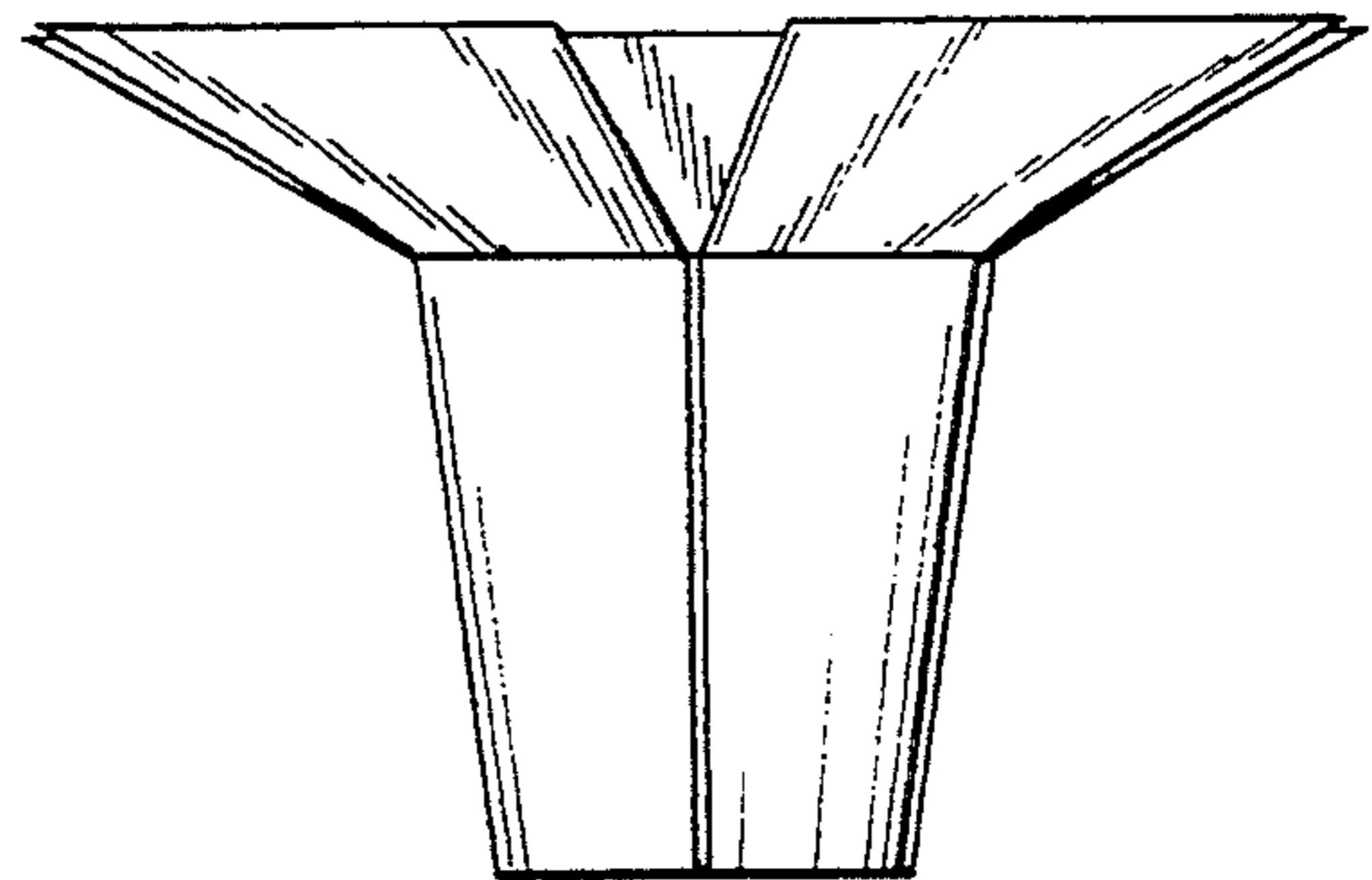


FIG. 2

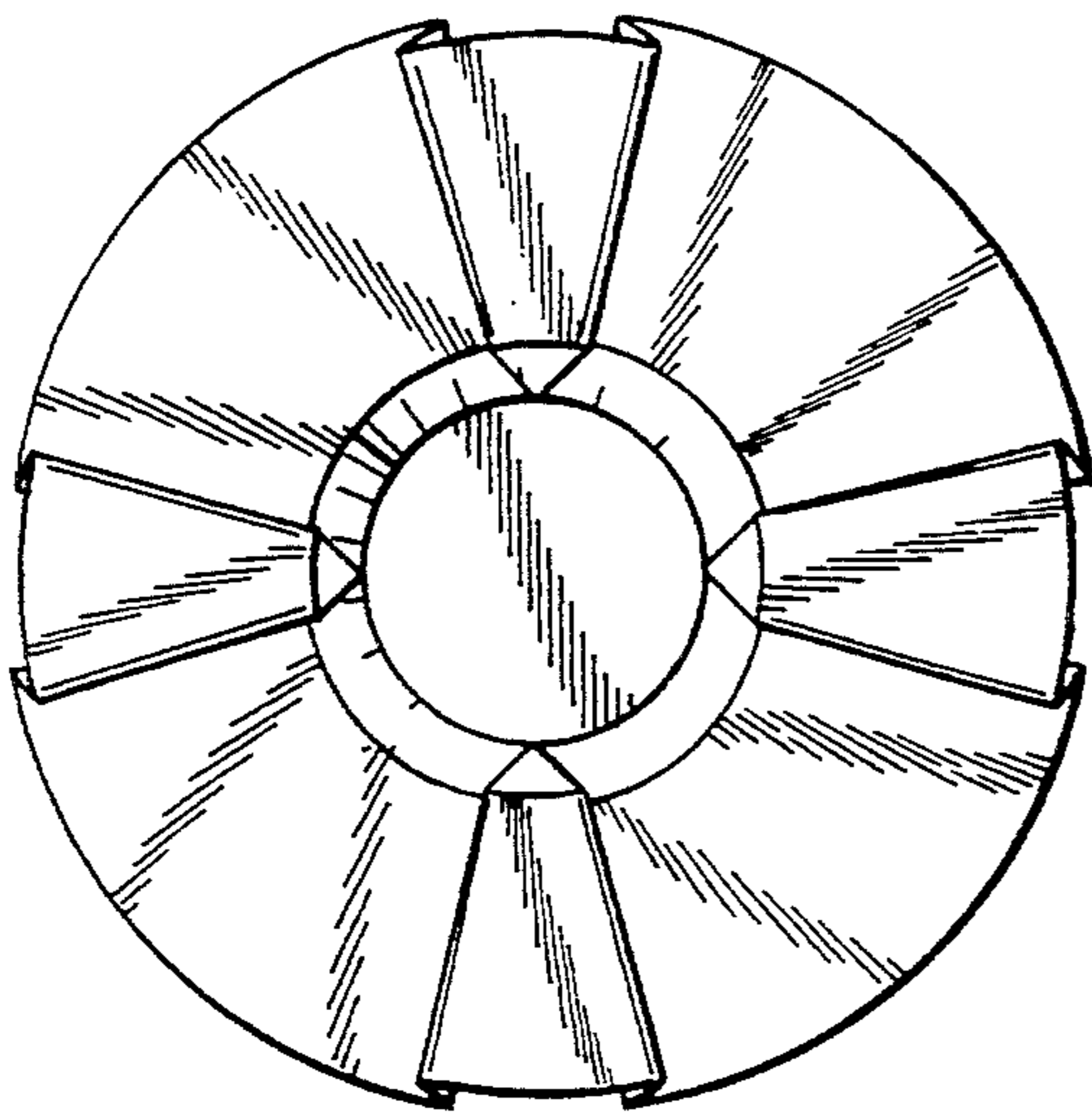


FIG. 3

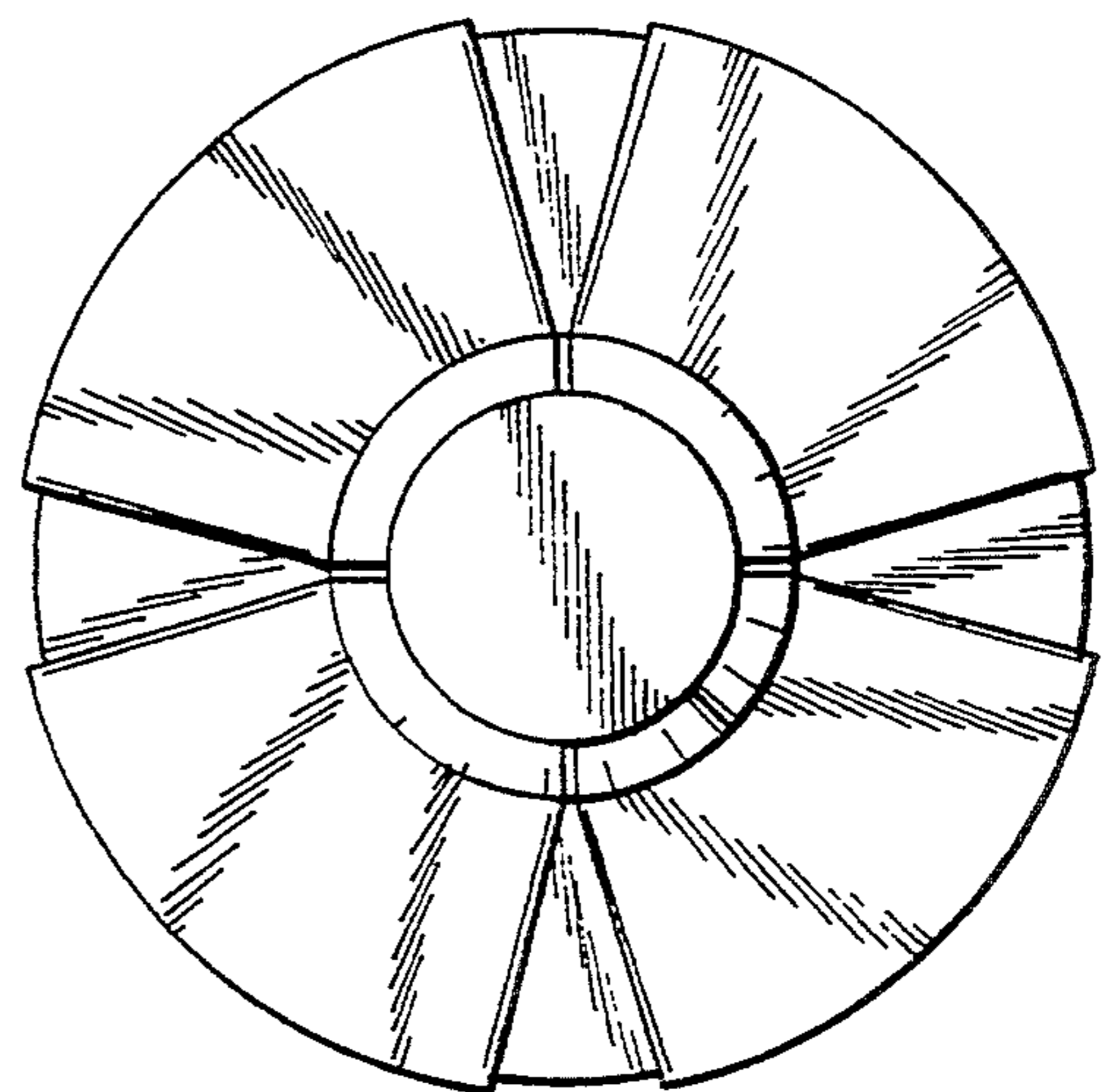


FIG. 4

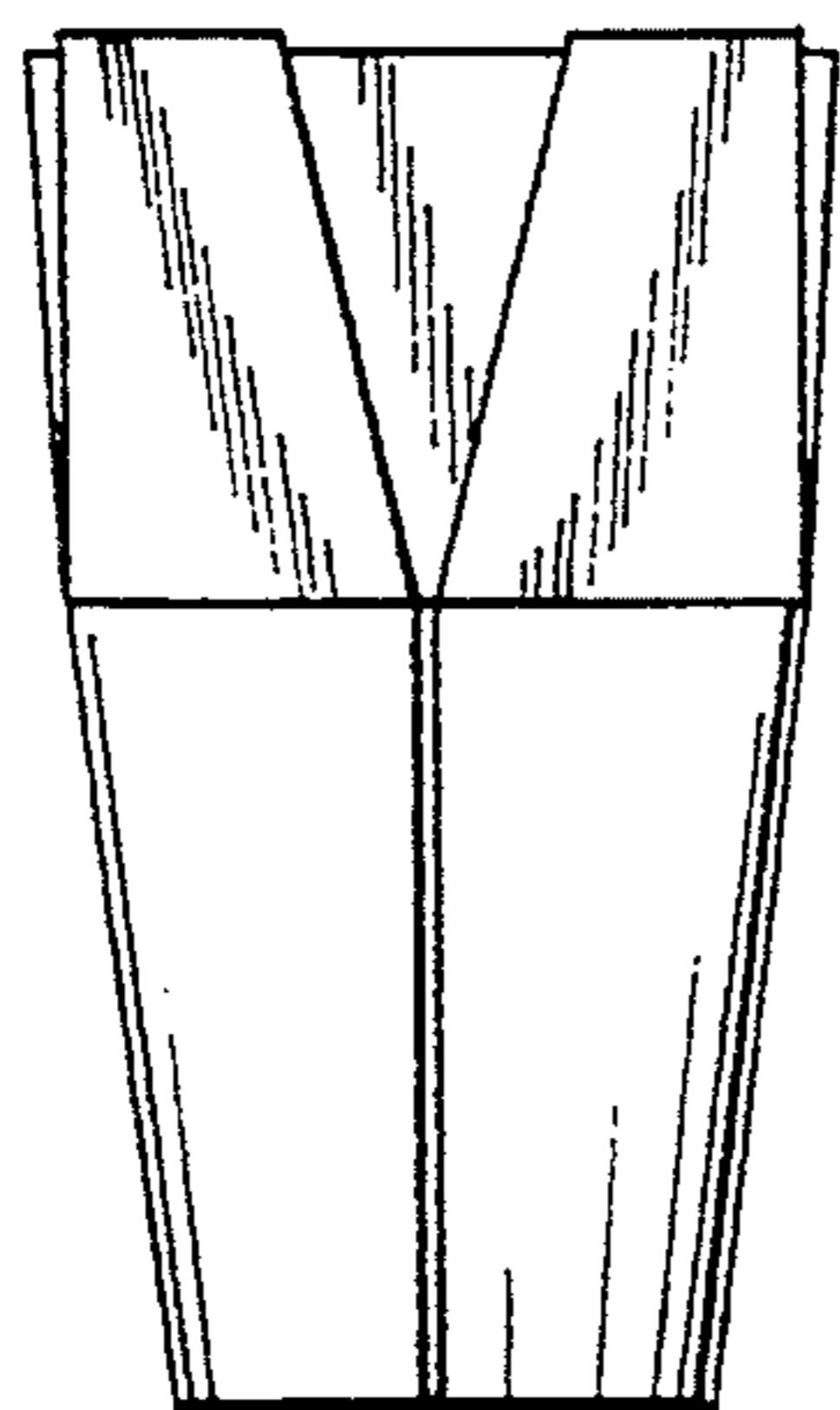


FIG. 5

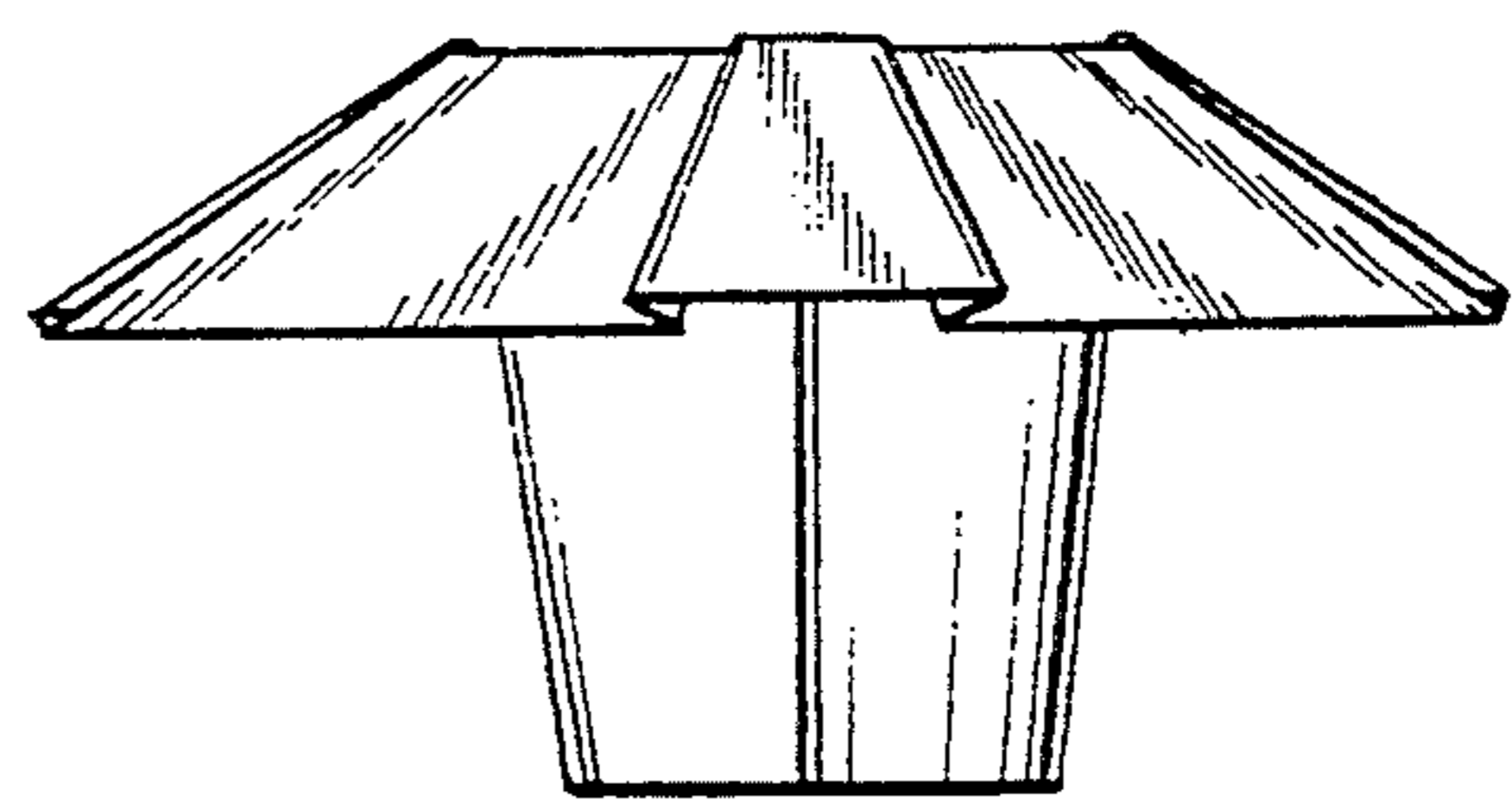


FIG. 6