



US00D361732S

# United States Patent [19]

[11] Patent Number: **Des. 361,732**

Fischette et al.

[45] Date of Patent: **\*\* Aug. 29, 1995**

## [54] SMOKE DETECTOR HOUSING

[75] Inventors: **Robert G. Fischette**, Portland, Oreg.;  
**Kirk R. Johnson**, Vancouver, Wash.;  
**Maki Myoga**, Portland, Oreg.

[73] Assignee: **Sentrol, Inc.**, Tualatin, Oreg.

[\*\*] Term: **14 Years**

[21] Appl. No.: **27,218**

[22] Filed: **Aug. 16, 1994**

[52] U.S. Cl. .... **D10/106**

[58] Field of Search ..... **D10/104, 106, 116, 121;**  
**340/545, 547, 555, 578, 586, 628, 629, 630, 693**

## OTHER PUBLICATIONS

ESL Bulletin 2282-SS5, Jan. 1993, Sentrol, Inc., Portland, Oreg.

ESL Bulletin 2286-SS5, Jul. 1993, Sentrol, Inc., Portland, Oreg.

*Primary Examiner*—Susan J. Lucas

*Assistant Examiner*—Marcus Jackson

*Attorney, Agent, or Firm*—Stoel Rives Boley Jones & Grey

## [57] CLAIM

The ornamental design for a smoke detector housing, as shown and described.

## DESCRIPTION

FIG. 1 is a frontal isometric view of a top side of a smoke detector housing;

FIG. 2 is a top plan thereof;

FIG. 3 is a perspective view of a second embodiment thereof, wherein the only difference resides in the omission of the oval shaped groove pattern on the top portion;

FIG. 4 is a bottom plan thereof;

FIG. 5 is a side elevation thereof; and,

FIG. 6 is a side elevation thereof.

## [56] References Cited

### U.S. PATENT DOCUMENTS

D. 283,407	4/1986	Fenne	.....	D10/106
D. 284,748	7/1986	Fenne	.....	D10/106
D. 297,222	8/1988	Rauch	.....	D10/106
D. 306,409	3/1990	Fish	.....	D10/106
D. 308,947	7/1990	Downing	.....	D10/106
D. 339,078	9/1993	Behlke	.....	D10/106
D. 346,981	5/1994	Ratylaff	.....	D10/106
4,236,822	12/1980	Jaretsky et al.	.....	340/628

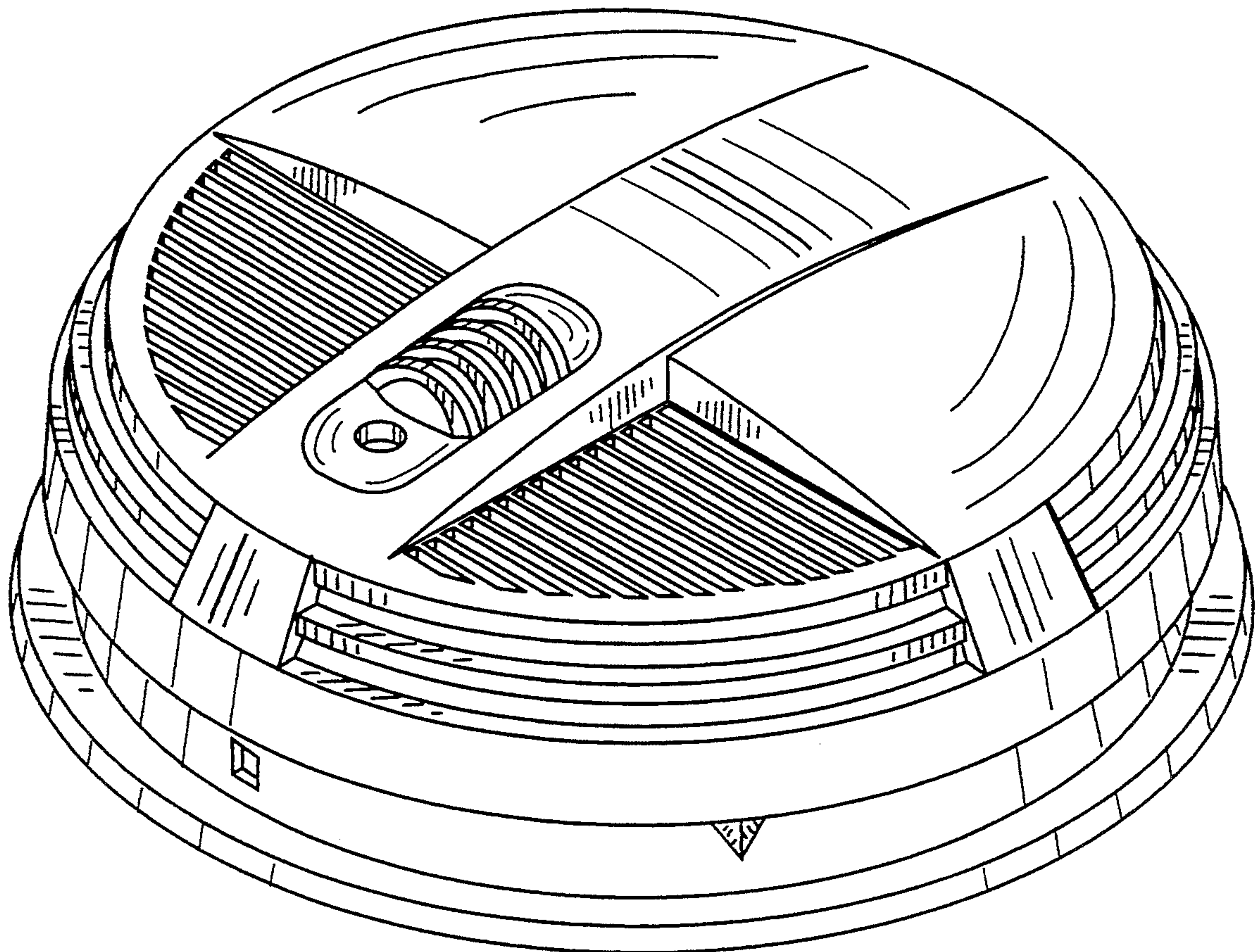




FIG. 1

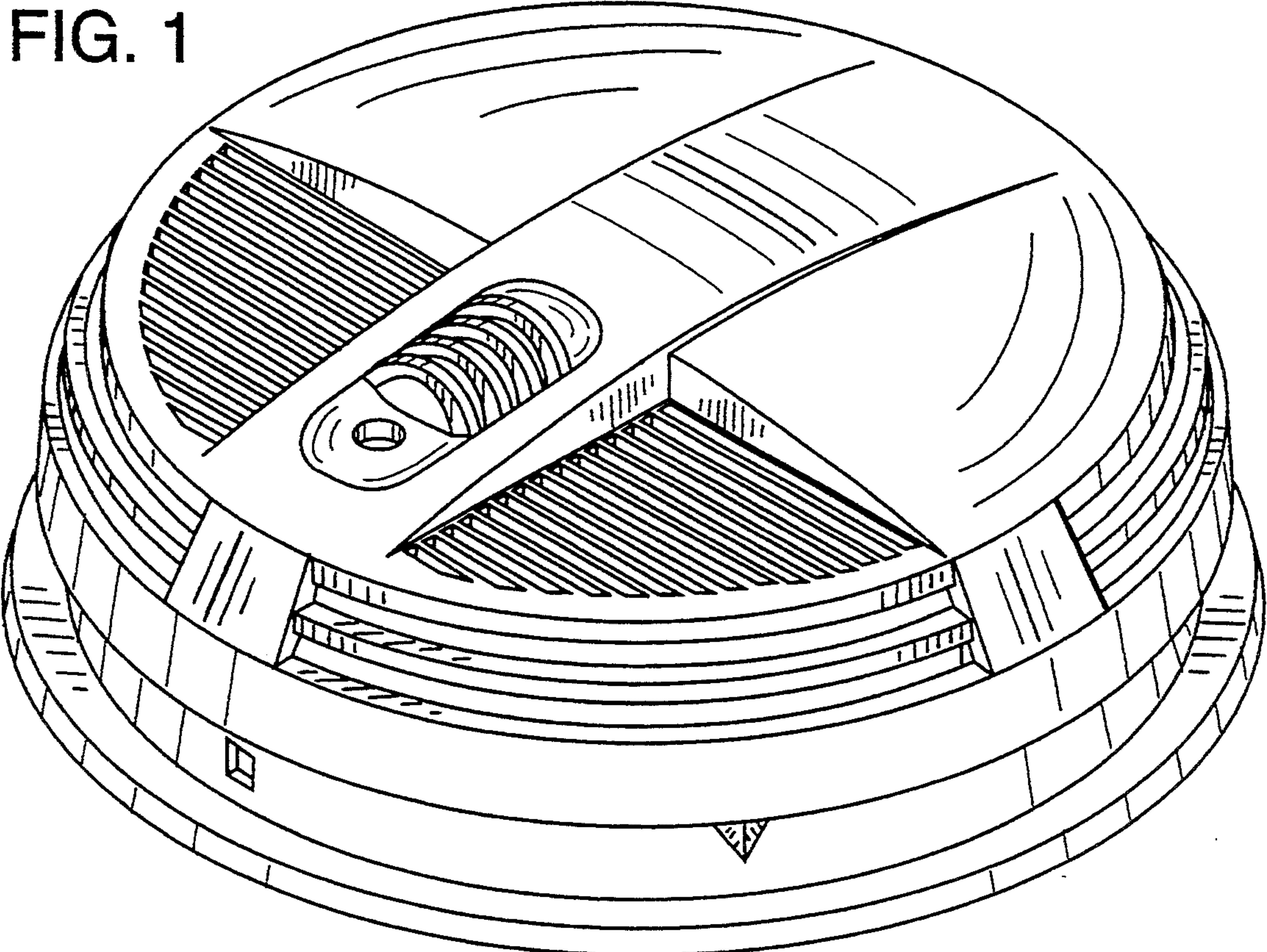


FIG. 3

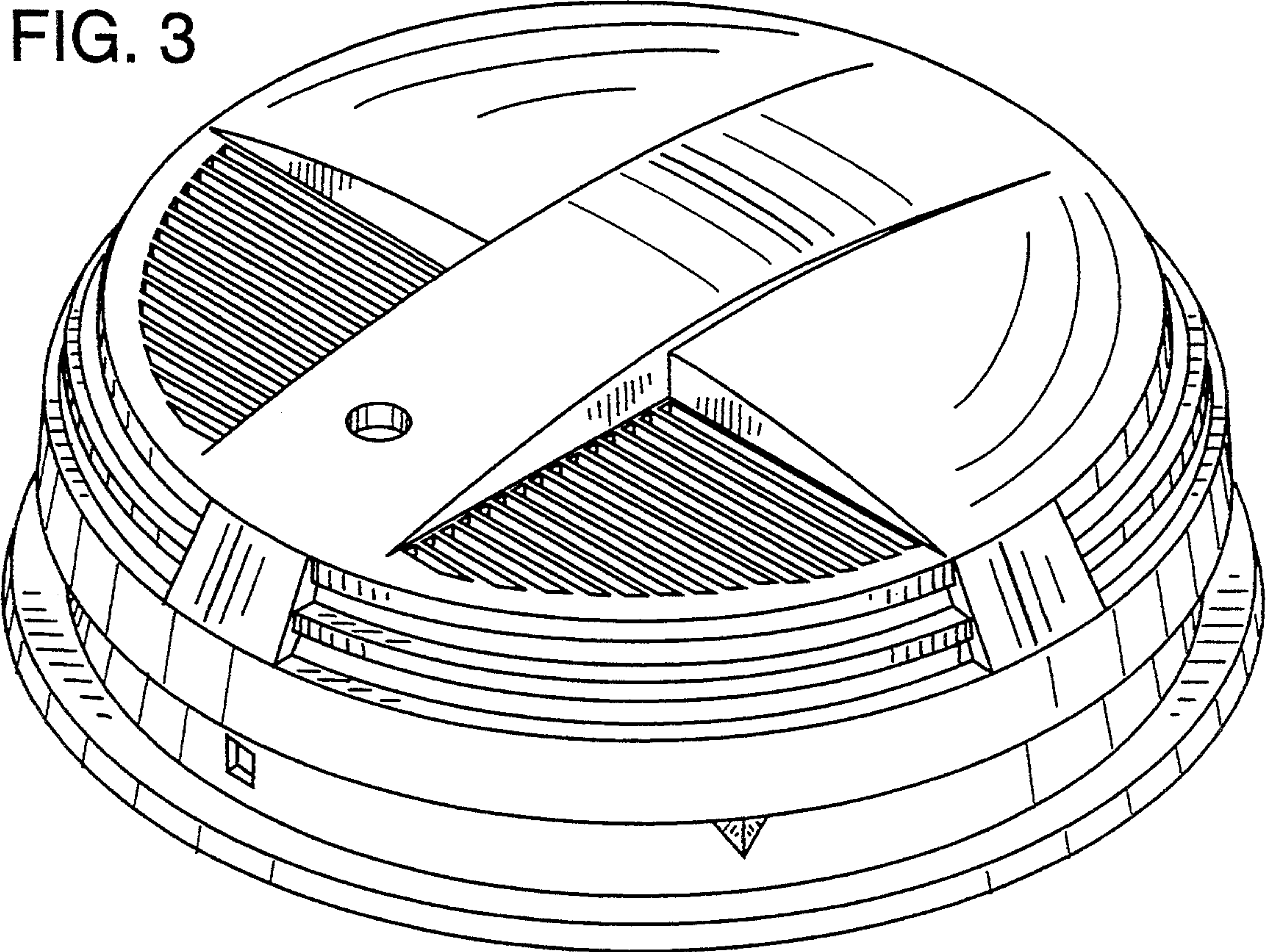


FIG. 2

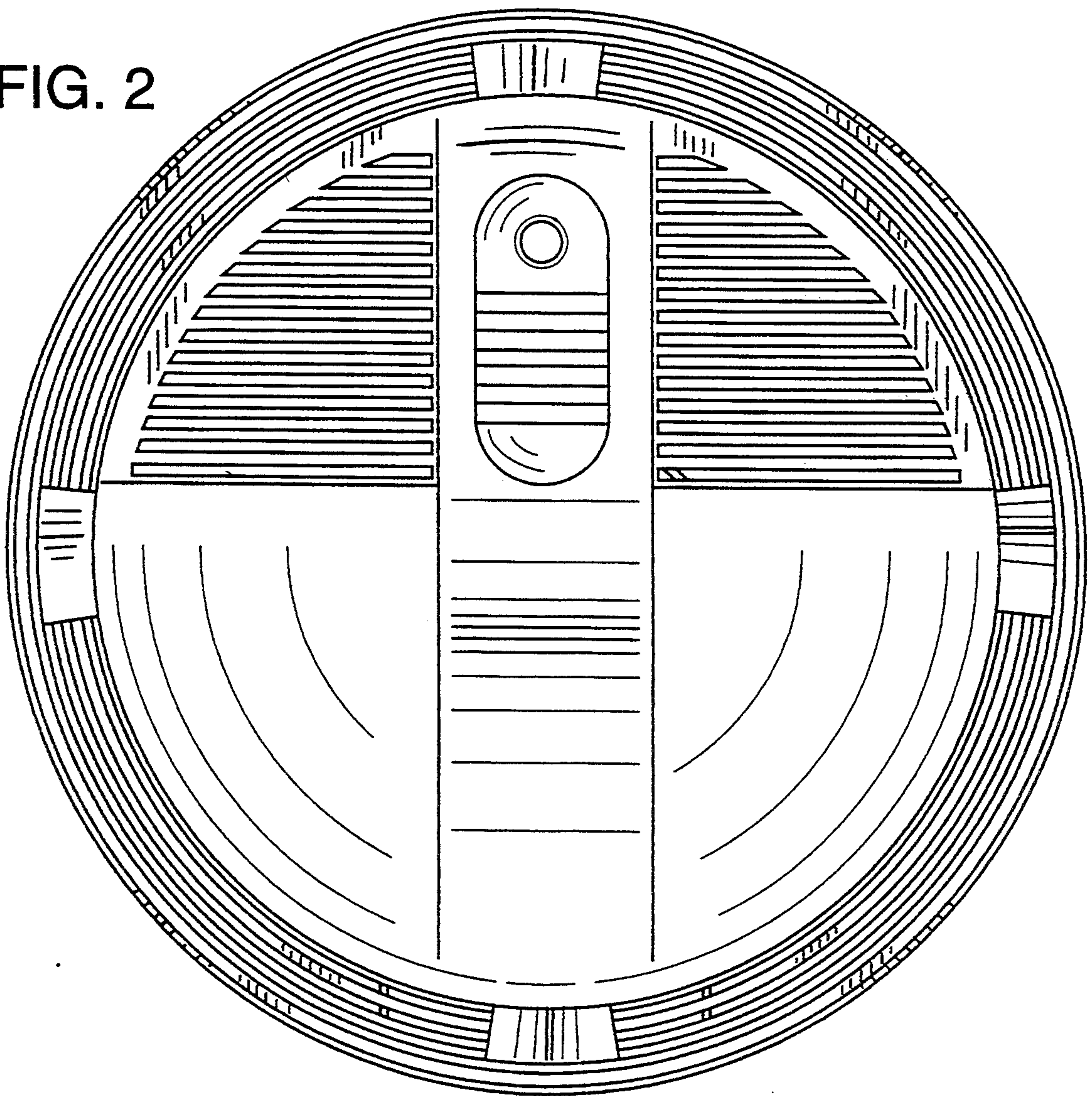




FIG. 4

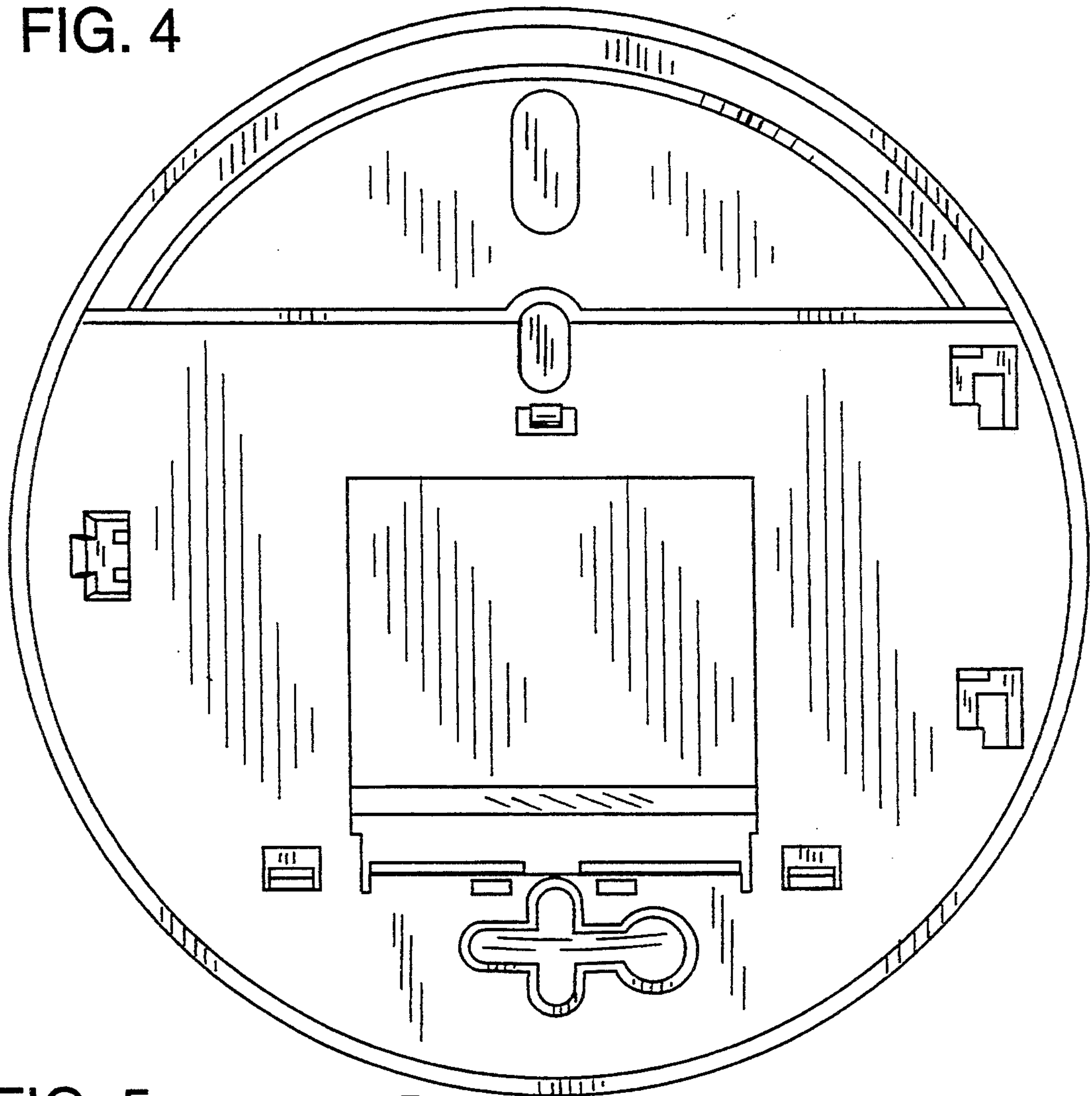


FIG. 5

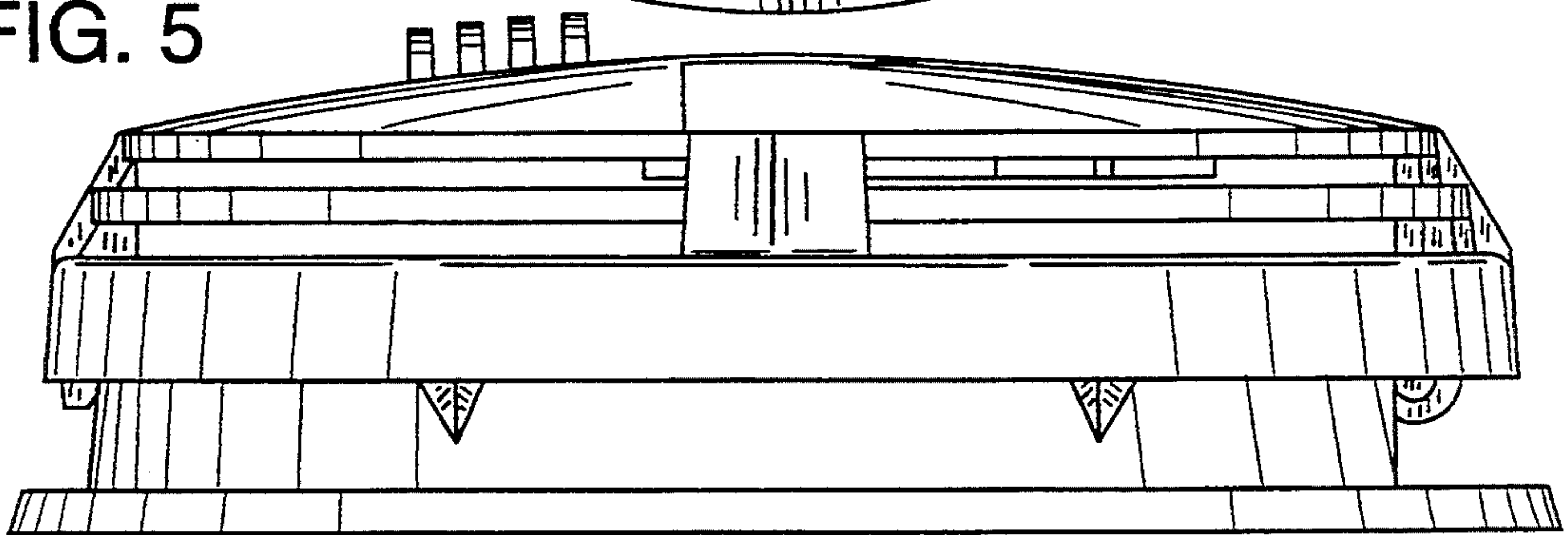


FIG. 6

