



US00D361726S

United States Patent [19]
Mabbitt

[11] **Patent Number: Des. 361,726**

[45] **Date of Patent: ** Aug. 29, 1995**

[54] **SPORTS WATCH WITH RACING THEME APPEARANCE**

[76] **Inventor: Robert L. Mabbitt, 1417 E. 31st St., Anderson, Ind. 46016**

[**] **Term: 14 Years**

[21] **Appl. No.: 11,464**

[22] **Filed: Aug. 5, 1993**

[52] **U.S. Cl. D10/32; D10/30**

[58] **Field of Search D10/38, 32, 39, 30, D10/22; 368/285, 294, 297, 309**

[56] **References Cited**

U.S. PATENT DOCUMENTS

- D. 242,530 11/1976 Gould .
- D. 251,055 2/1979 Sulek D10/38
- D. 294,011 2/1988 Hanson .
- D. 295,147 4/1988 Cave .

OTHER PUBLICATIONS

Best Catalog, 92/93 pp. 118, 120, 125, 133.

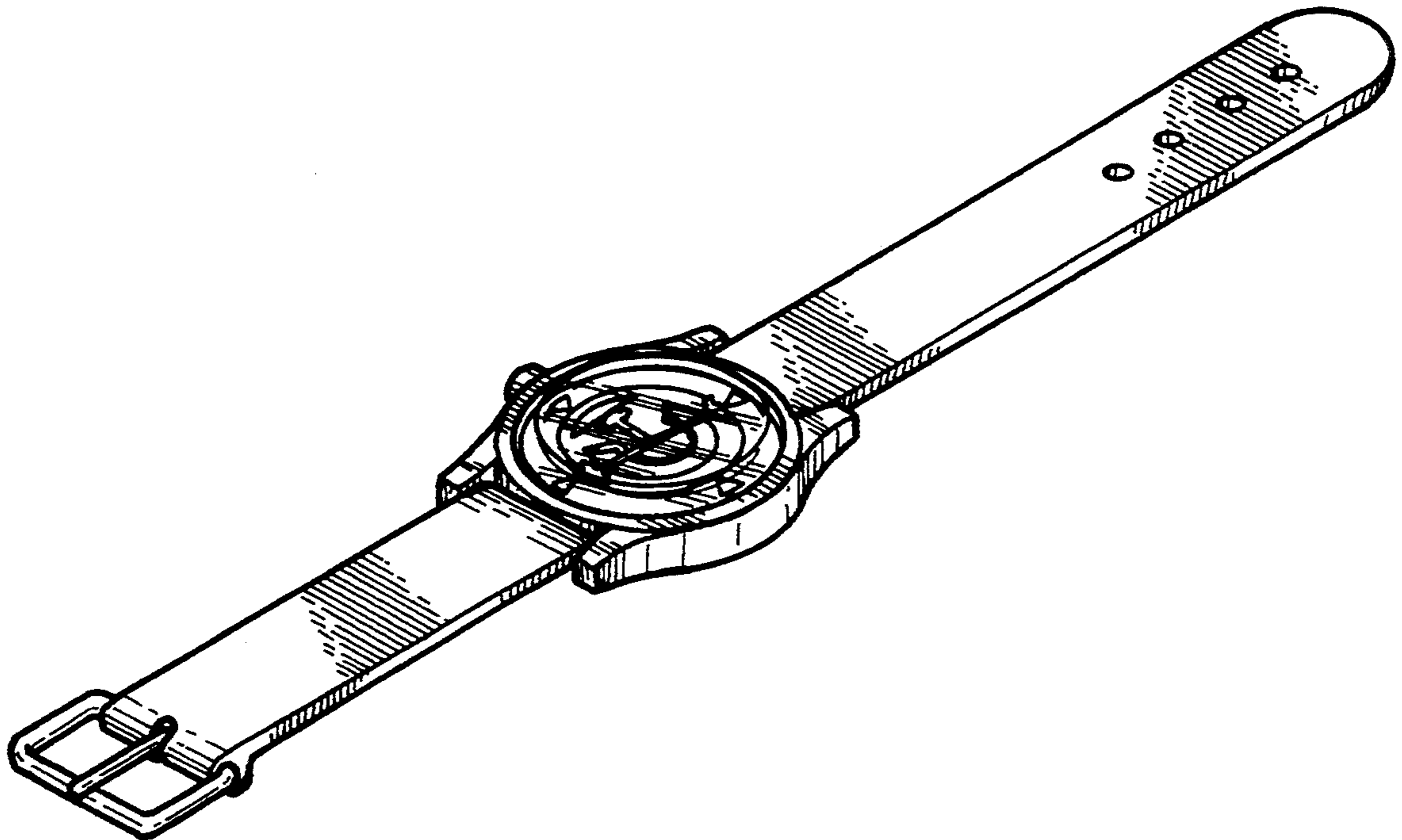
Primary Examiner—Alan P. Douglas
Assistant Examiner—Cathron B. Matta
Attorney, Agent, or Firm—Terry M. Gernstein

[57] **CLAIM**

The ornamental design for a sports watch with racing theme appearance, as shown and described.

DESCRIPTION

FIG. 1 is a front, top and side perspective view of the sports watch with racing theme appearance showing my new design;
FIG. 2 is a front elevational view thereof;
FIG. 3 is a rear elevational view thereof;
FIG. 4 is an end elevational view thereof;
FIG. 5 is an end elevational view thereof;
FIG. 6 is a top plan view thereof;
FIG. 7 is a bottom plan view thereof; and,
FIG. 8 is a top plan view with the straps partially cut away.



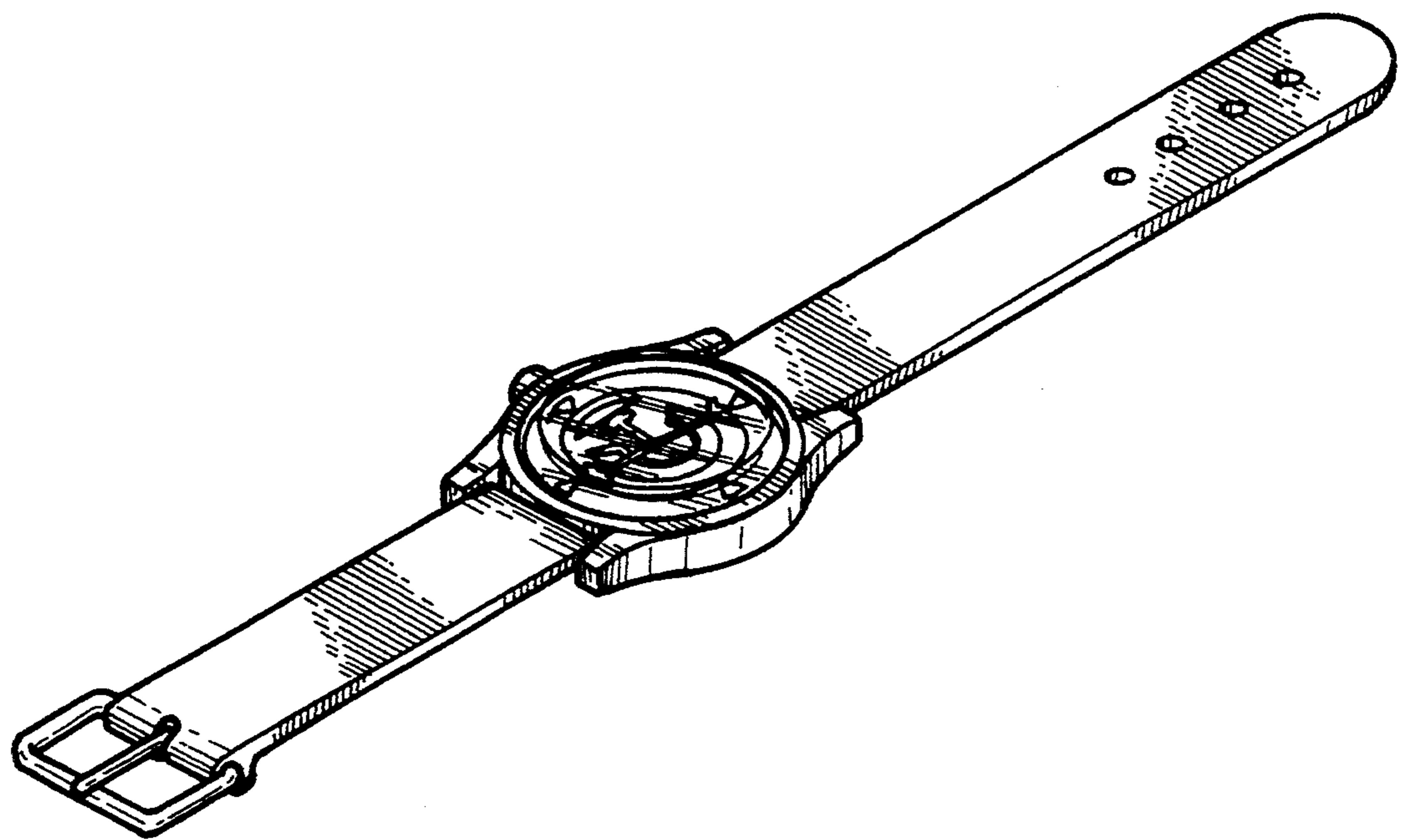


FIG. 1



FIG. 2



FIG. 3

FIG. 4



FIG. 5

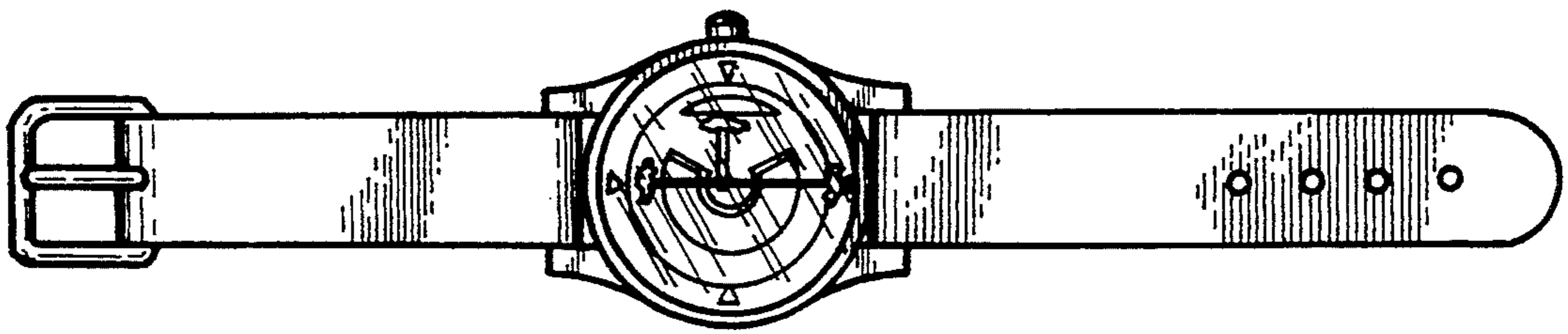
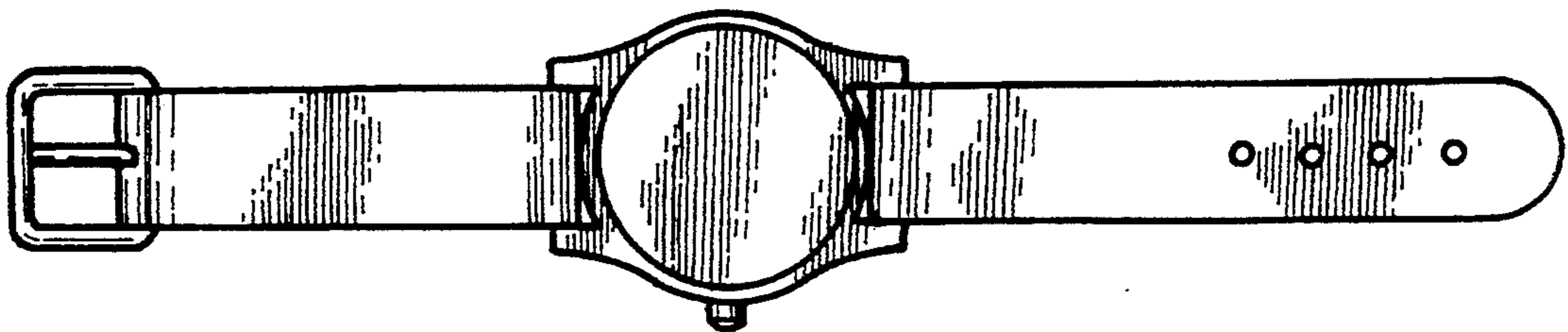


FIG. 6

FIG. 7



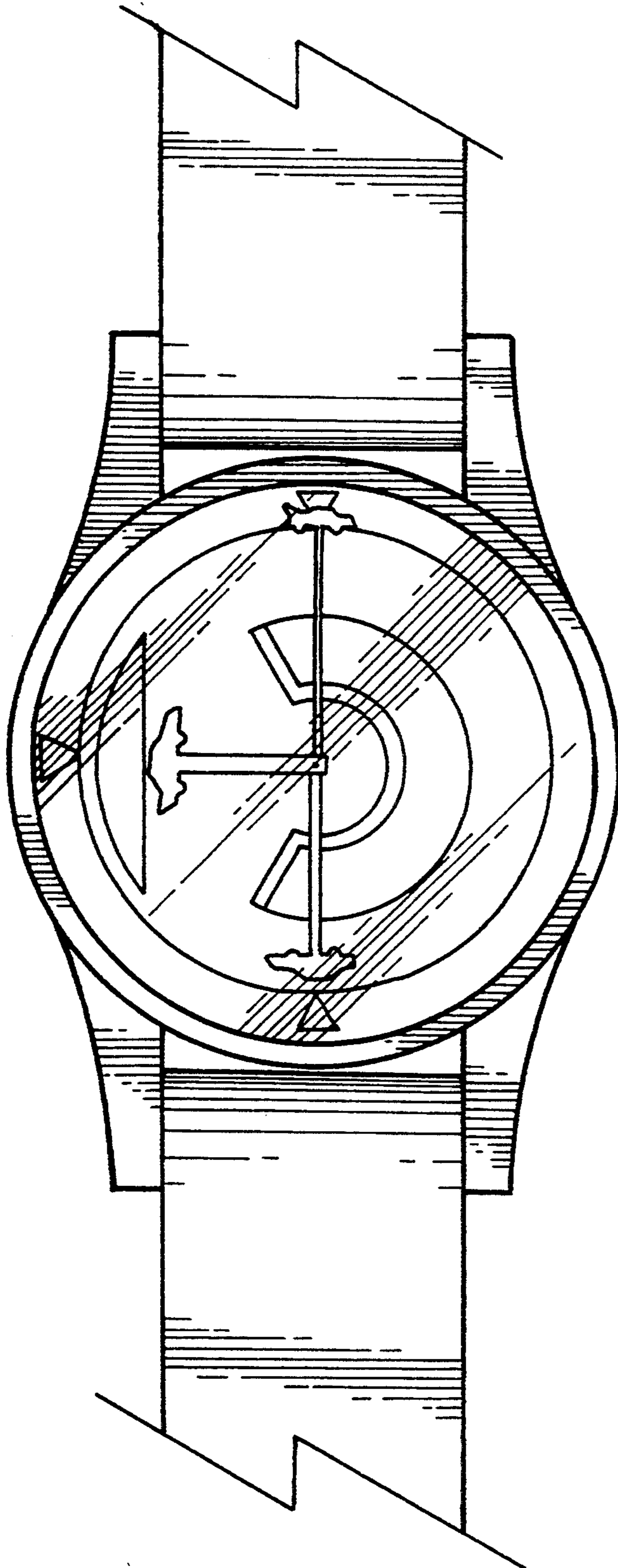


FIG. 8