



US00D361720S

United States Patent [19]

[11] Patent Number: **Des. 361,720**

Rokus et al.

[45] Date of Patent: **** Aug. 29, 1995**

[54] **BOTTLE**

[75] Inventors: **Phyllis A. Rokus**, Hacienda Heights;
Richard Rendon, Alta Loma, both of Calif.

[73] Assignee: **Reid Plastics, Inc.**, Arcadia, Calif.

[**] Term: **14 Years**

[21] Appl. No.: **21,272**

[22] Filed: **Apr. 12, 1994**

[52] U.S. Cl. **D9/520; D9/524; D9/527; D7/313**

[58] **Field of Search** **D9/524, 527, 528, 520, D9/563, 566, 567; D7/313, 315, 321, 322; 215/1 R, 1 C, 100 A; 220/771, 768; 222/481, 478**

D. 296,420 6/1988 Frahm et al. .

D. 299,697 2/1989 Frahm et al. .

D. 310,170 8/1990 Bartz D9/527 X

D. 311,329 10/1990 Frahm et al. .

D. 326,051 5/1992 Frahm .

D. 333,098 2/1993 Hestehave et al. .

D. 337,234 7/1993 McGinnis D7/306

D. 339,022 9/1993 McGinnis et al. D9/527 X

D. 339,067 9/1993 Rokus .

D. 341,514 11/1993 McGinnis D7/306 X

3,369,658 2/1968 Hasselmann .

3,474,843 10/1969 Maris .

3,889,834 6/1975 Harris, Jr. .

4,308,955 1/1982 Schieser et al. .

4,513,865 4/1985 Melzi et al. .

4,541,529 9/1985 Hestehave et al. 220/771 X

4,609,106 9/1986 Gentili .

5,002,199 3/1991 Frahm .

Primary Examiner—Lucy Liebermann
Attorney, Agent, or Firm—Lyon & Lyon

[56] References Cited

U.S. PATENT DOCUMENTS

D. 235,624 7/1975 Templin .

D. 244,427 5/1977 Schieser et al. .

D. 253,750 12/1979 Uyeda D9/524

D. 261,362 10/1981 Epperson .

D. 262,521 1/1982 Frahm et al. .

D. 264,942 6/1982 Schieser et al. .

D. 270,136 8/1983 Cox .

D. 272,318 1/1984 Visser .

D. 272,604 2/1984 Cox .

D. 276,890 12/1984 Hancher .

D. 282,527 2/1986 Larson et al. .

D. 284,641 7/1986 Jones D9/528 X

D. 288,783 3/1987 Harris, Jr. .

[57] CLAIM

The ornamental design for a bottle, as shown and described.

DESCRIPTION

FIG. 1 is a perspective view of a bottle showing our new design;

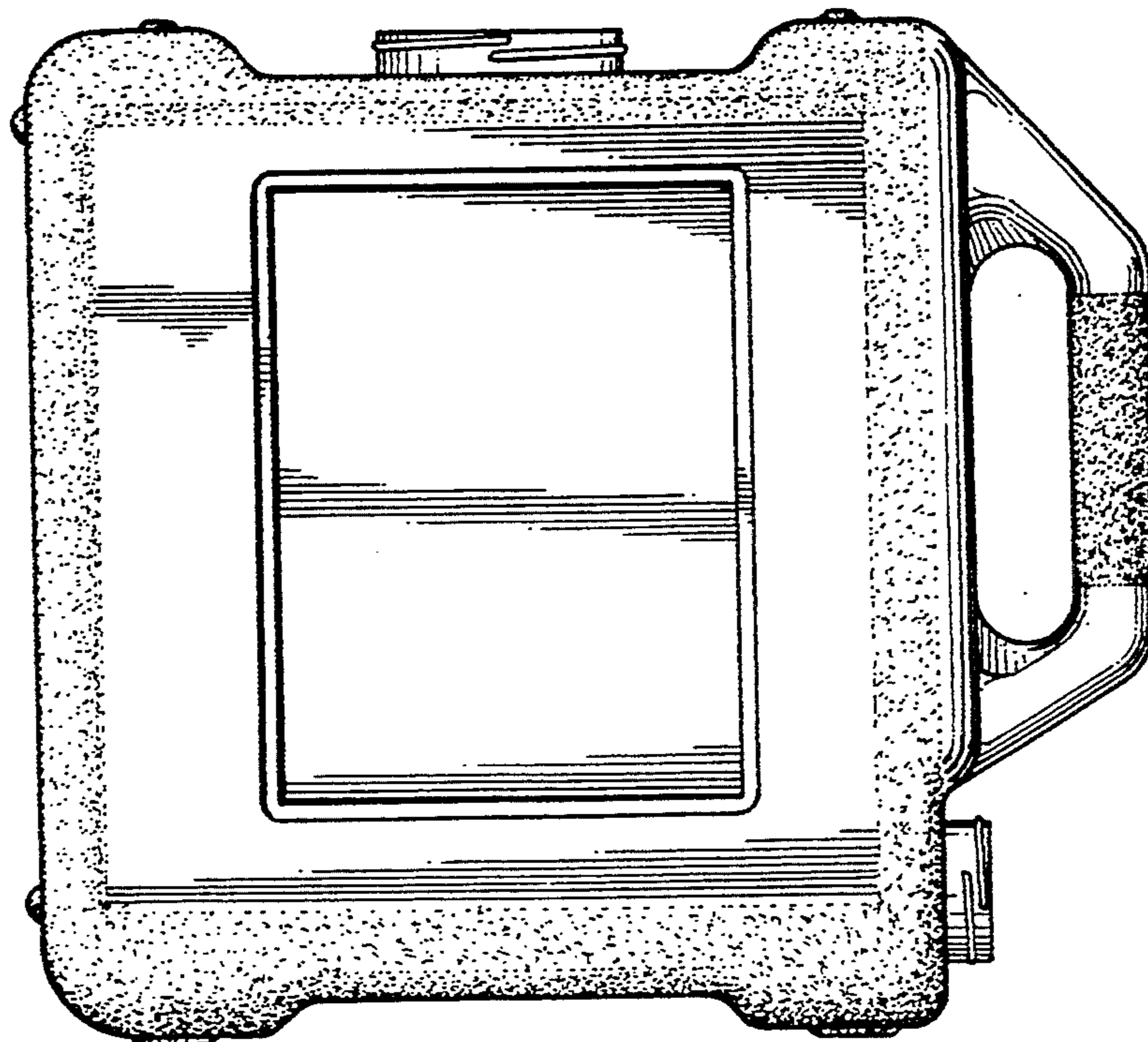
FIG. 2 is a left side elevation, the right side elevation is a mirror image thereof;

FIG. 3 is a front elevation view thereof;

FIG. 4 is a rear elevation view thereof;

FIG. 5 is a top plan view thereof; and,

FIG. 6 is a bottom view thereof.



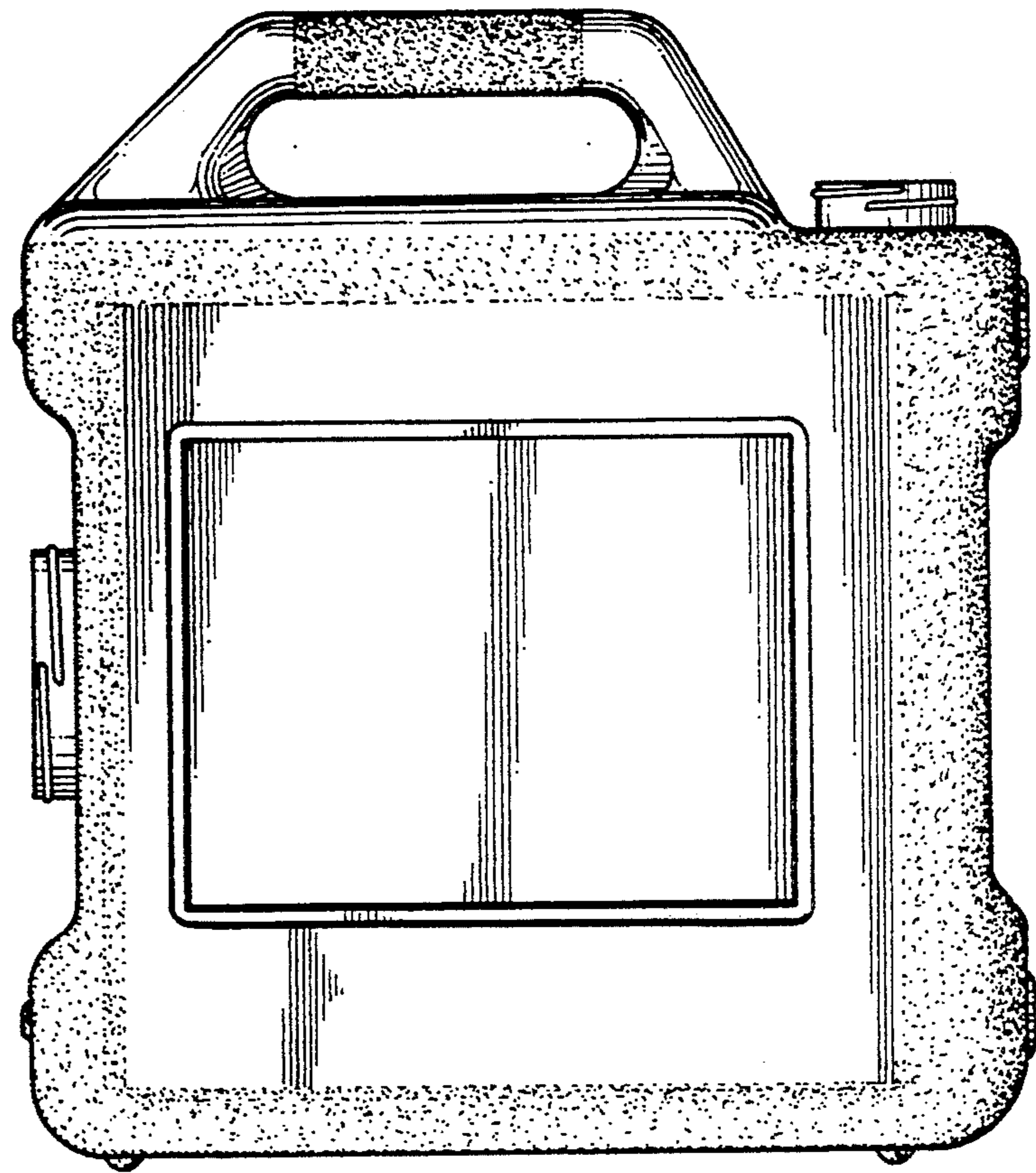


FIG. 2

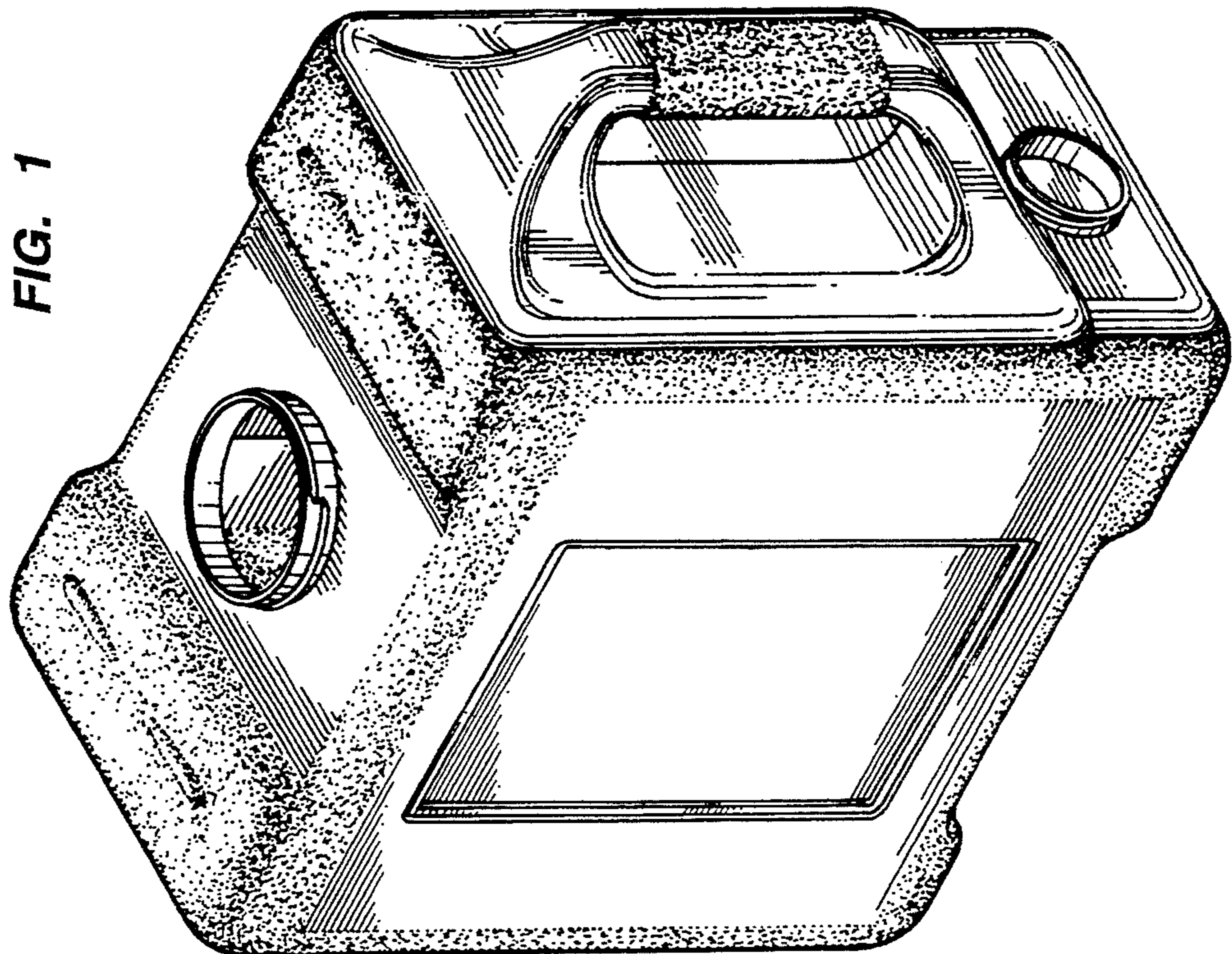


FIG. 1

FIG. 3

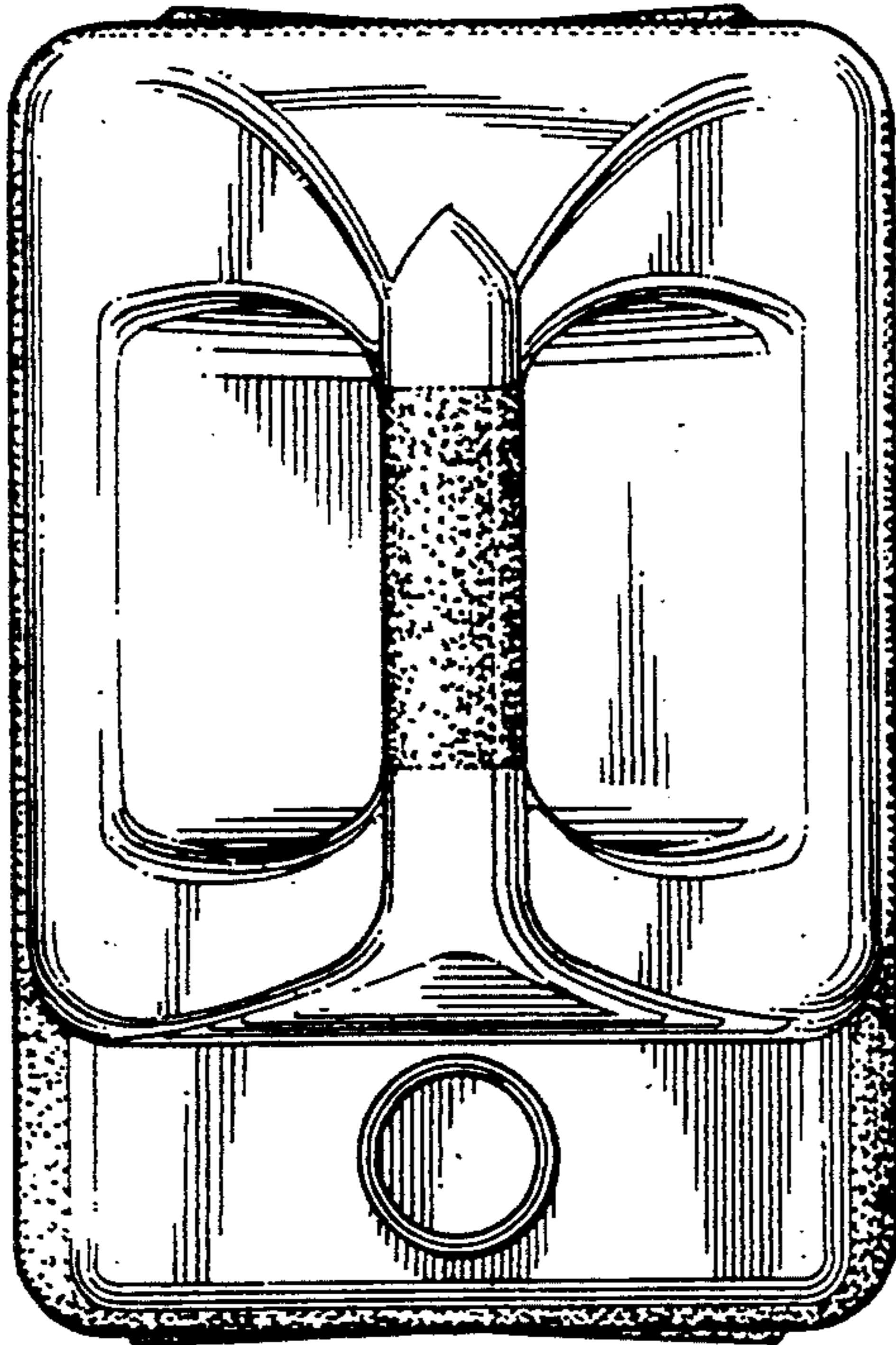


FIG. 4

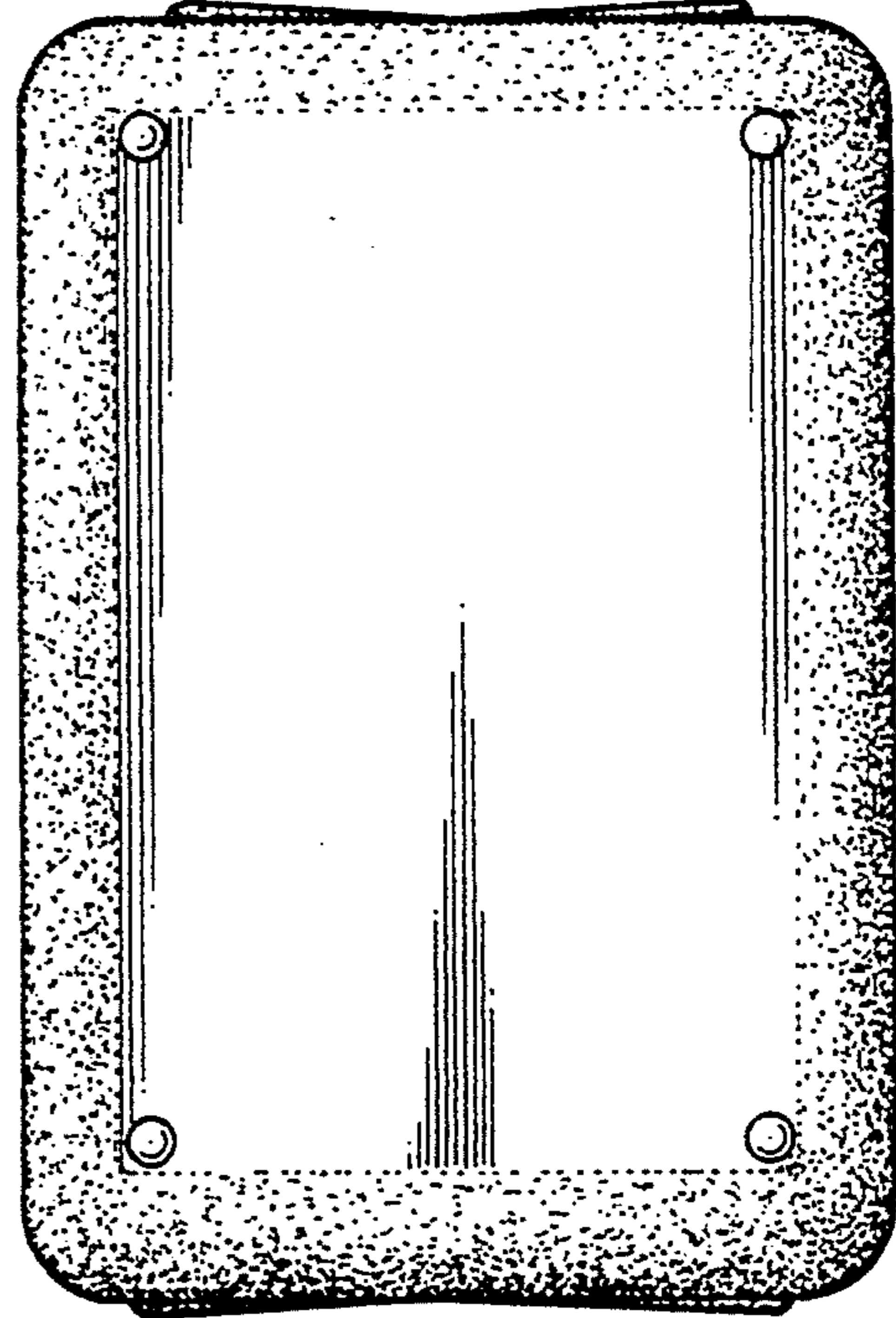


FIG. 5

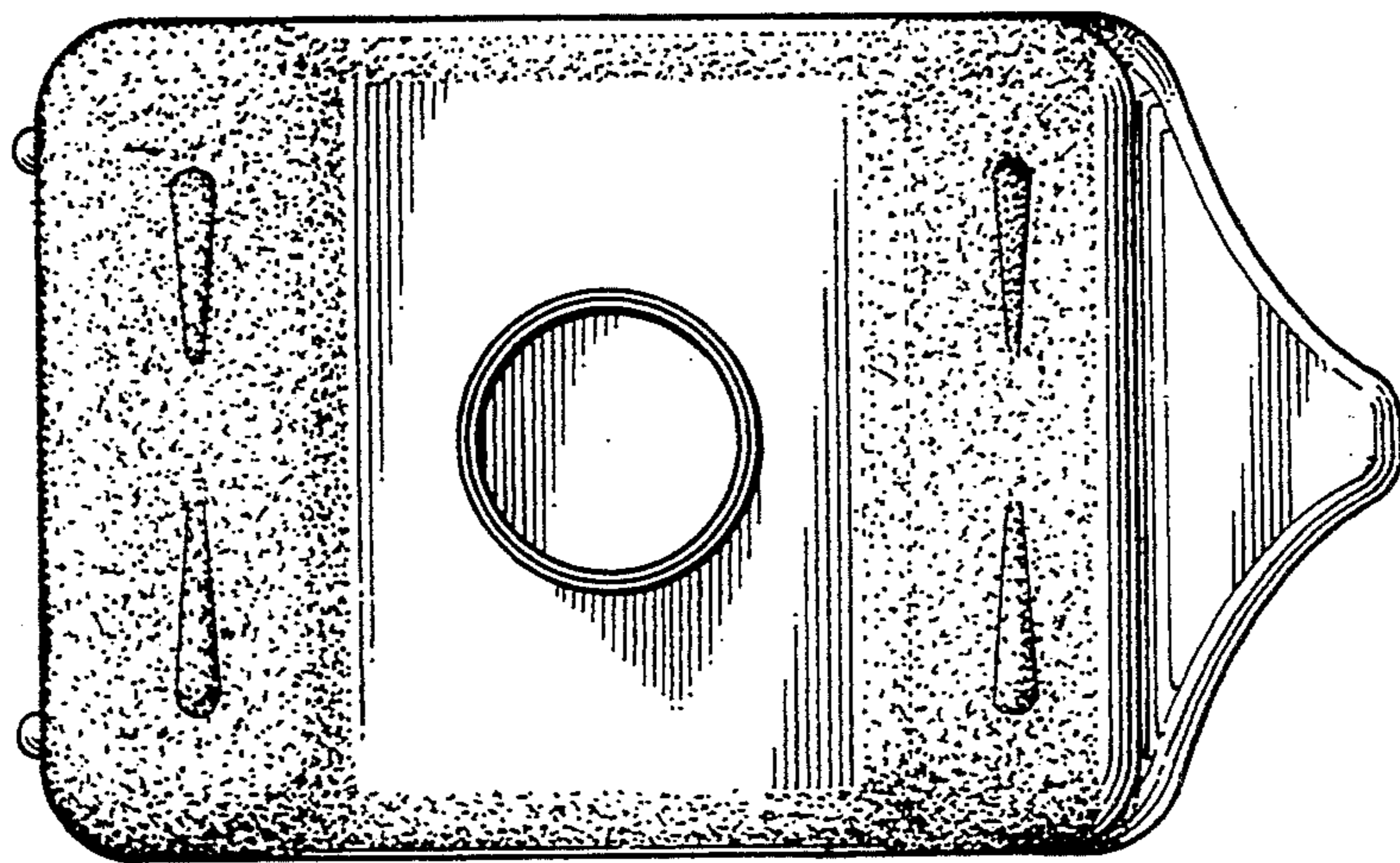


FIG. 6

