



US00D361718S

# United States Patent [19]

[11] Patent Number: **Des. 361,718**

**Baker**

[45] Date of Patent: **\*\* Aug. 29, 1995**

[54] **PACKAGE FOR A FOOTBALL SHAPED OBJECT**

D. 235,514	6/1975	Hackenberg	.....	D9/418
D. 272,805	2/1984	Johnsen	.....	D9/418
D. 277,169	1/1985	Ito et al.	.....	D9/418

[75] Inventor: **Jay J. Baker, Mayville, N.Y.**

*Primary Examiner*—Alan P. Douglas

[73] Assignee: **Jamestown Plastics, Inc., Brocton, N.Y.**

*Assistant Examiner*—R. Spear

*Attorney, Agent, or Firm*—Phillips, Lytle, Hitchcock, Blaine & Huber

[\*\*] Term: **14 Years**

### [57] CLAIM

[21] Appl. No.: **17,595**

An ornamental design for a package for a football shaped object, as shown and described.

[22] Filed: **Jan. 18, 1994**

### DESCRIPTION

[52] U.S. Cl. .... **D9/455; D9/418**

[58] Field of Search ..... D9/418, 424, 426, 430-431, D9/434-435, 444, 455-457, 499; 206/193-194, 315.9, 44 R; 229/120.22

FIG. 1 is a perspective view of the package for a football shaped object showing my new design;

FIG. 2 is a top plan view of the package for a football shaped object;

FIG. 3 is a bottom plan view of the package for a football shaped object;

FIG. 4 is a side elevation of the package for a football shaped object, the opposite side elevational view being a mirror image thereof; and,

FIG. 5 is an end plan view of the package for a football shaped object, the opposite end elevational view being a mirror image thereof.

### [56] References Cited

#### U.S. PATENT DOCUMENTS

D. 207,746	5/1967	Cote	.....	D9/418
D. 207,805	5/1967	Nowak	.....	D9/418
D. 217,131	4/1970	Shreve, III et al.	.....	D9/418
D. 231,786	6/1974	Burnley	.....	D9/444
D. 231,787	6/1974	Burnley	.....	D9/444
D. 235,314	6/1975	Cramphorn	.....	D9/431

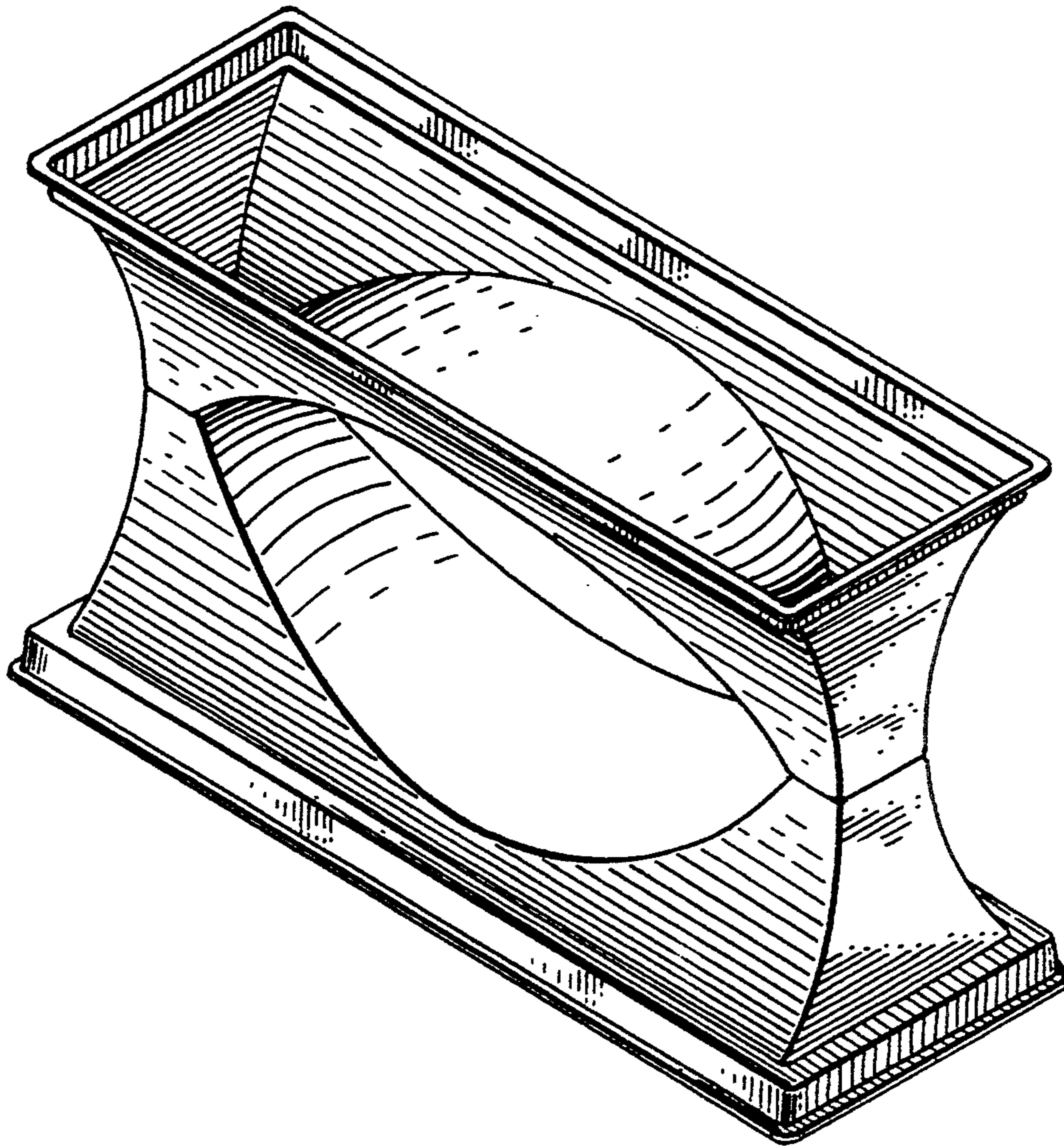




Fig. 1.

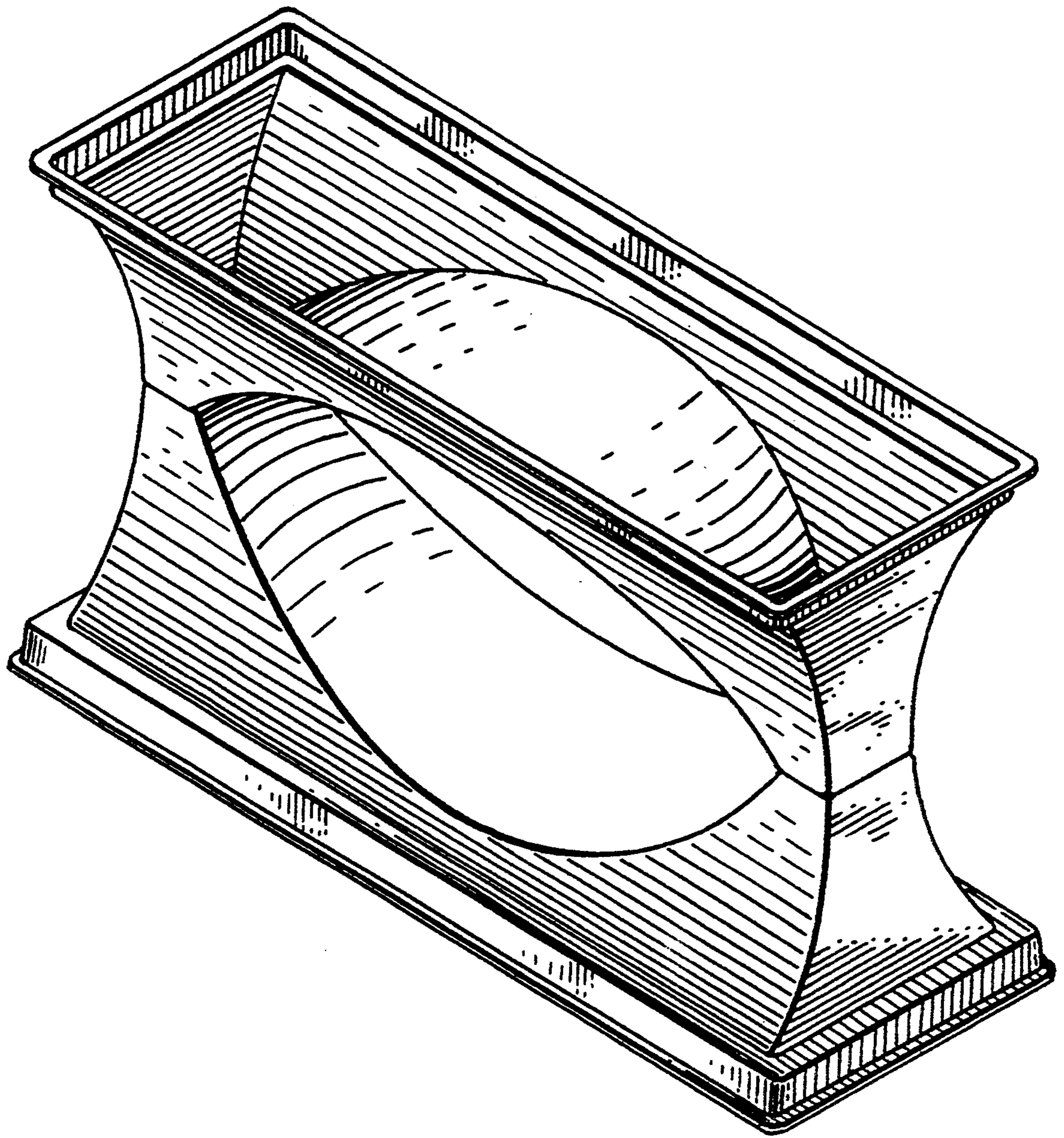


Fig. 2.

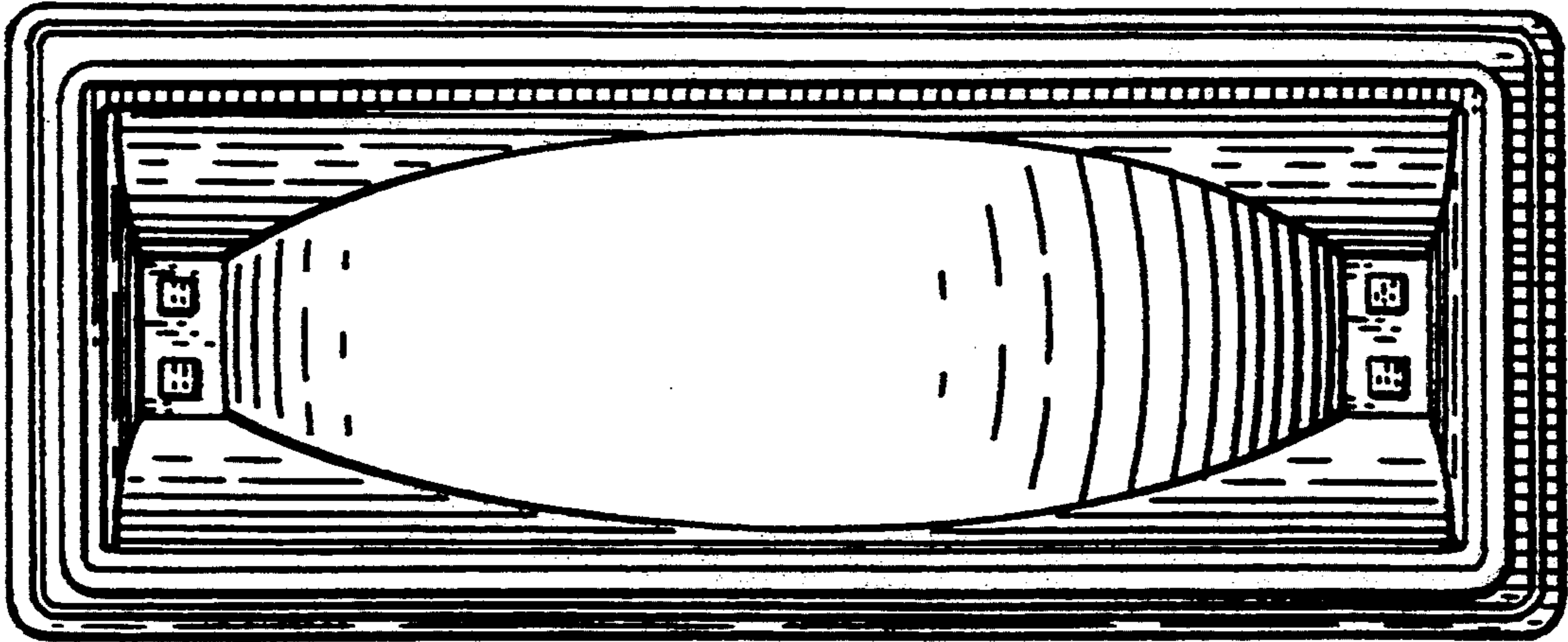


Fig. 3.

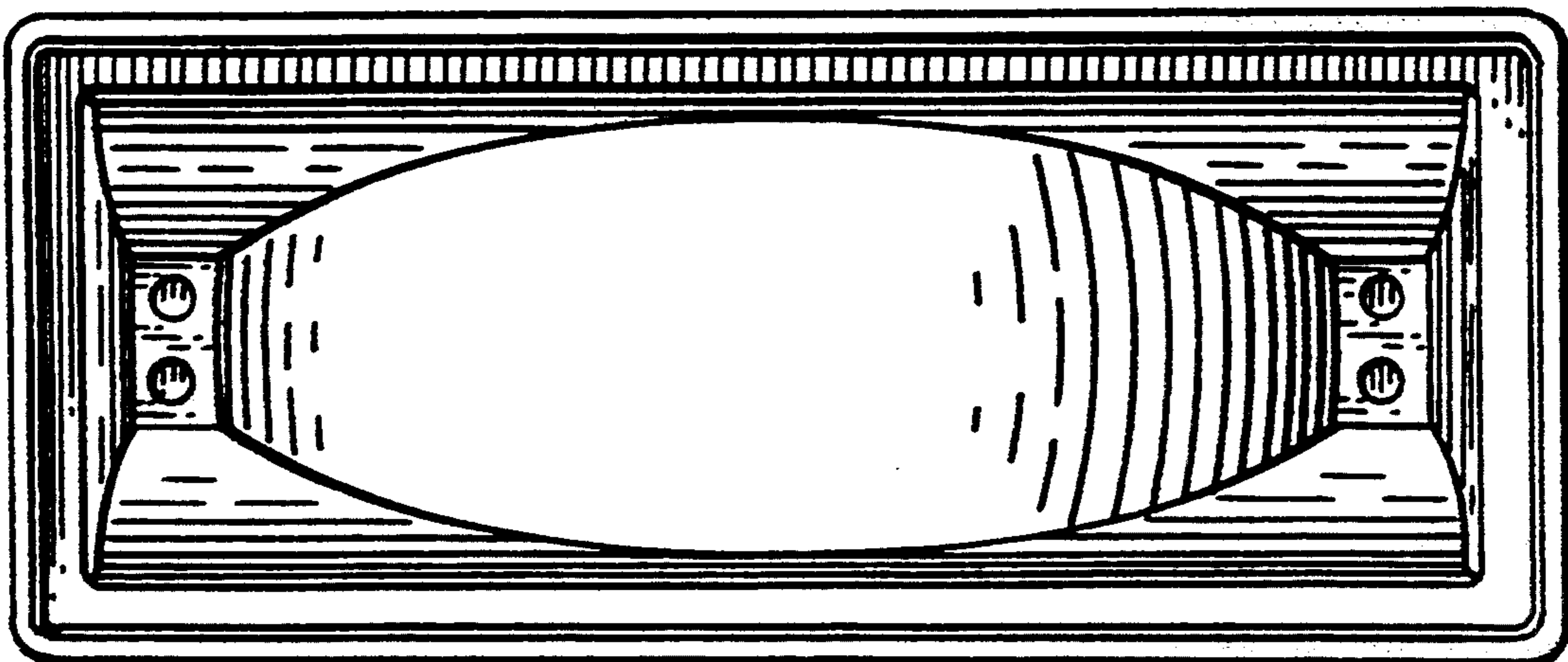


Fig. 4.

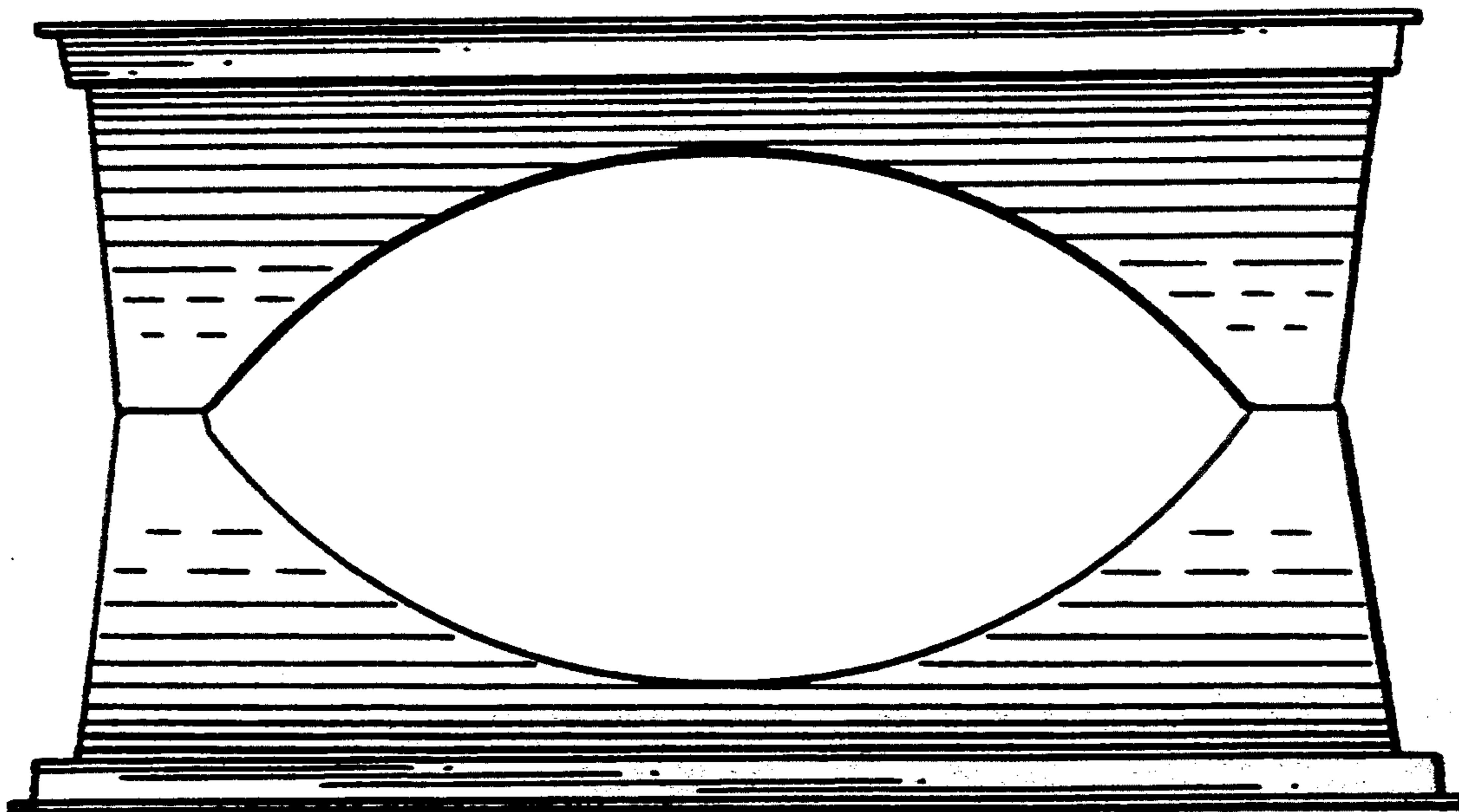


Fig. 5.

