



US00D361715S

# United States Patent [19]

[11] Patent Number: **Des. 361,715**

**Hauptert**

[45] Date of Patent: **\*\* Aug. 29, 1995**

[54] **CONTAINER AND LID**

[75] Inventor: **Joseph Hauptert, Mississauga, Canada**

[73] Assignee: **National Bait Inc., Mississauga, Canada**

2,695,115 11/1954 Roop ..... 206/508 X  
 3,419,184 12/1968 Asenbauer ..... 220/355 X  
 3,759,416 9/1973 Constantine ..... 206/508 X  
 4,235,346 11/1980 Liggett ..... 220/675 X  
 5,092,945 5/1991 Proffitt et al. .... 206/508 X  
 5,392,945 2/1995 Syrek ..... 206/508 X

[\*\*] Term: **14 Years**

[21] Appl. No.: **27,498**

[22] Filed: **Aug. 23, 1994**

*Primary Examiner*—Prabhakar G. Deshmukh  
*Attorney, Agent, or Firm*—Rogers & Scott

[30] **Foreign Application Priority Data**

Mar. 2, 1994 [CA] Canada ..... 1994-0394

[52] U.S. Cl. .... **D9/424**

[58] Field of Search ..... D9/420-423,  
 D9/432, 425, 424, 337; D3/305; 206/508, 518,  
 511, 821; 220/380

[57] **CLAIM**

The ornamental design for a container and lid, as shown.

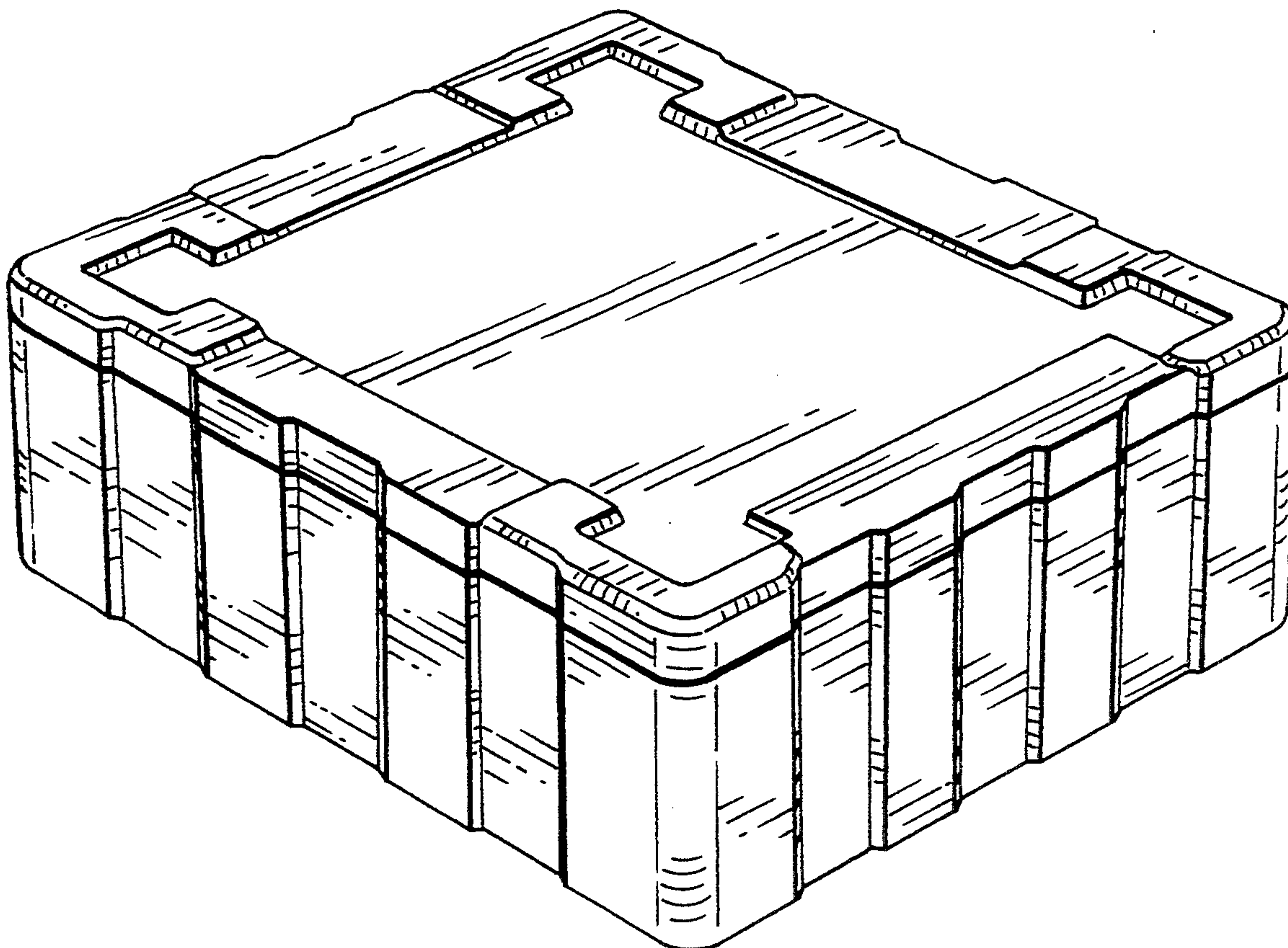
[56] **References Cited**

**U.S. PATENT DOCUMENTS**

D. 327,646 7/1992 Hardigg et al. .... D9/424 X  
 D. 333,094 2/1993 Zutler ..... D9/424 X  
 D. 336,613 6/1993 Zutler ..... D9/423  
 D. 356,255 3/1995 Syrek ..... D9/432 X

**DESCRIPTION**

FIG. 1 is a perspective view of the container and lid showing the top;  
 FIG. 2 is a perspective view of the container and lid showing the bottom;  
 FIG. 3 is a side view of the container and lid;  
 FIG. 4 is a top view of the container and lid;  
 FIG. 5 is a perspective view of the lid showing the bottom;  
 FIG. 6 is a perspective view of the container showing the interior; and,  
 FIG. 7 is a side view of the lid.



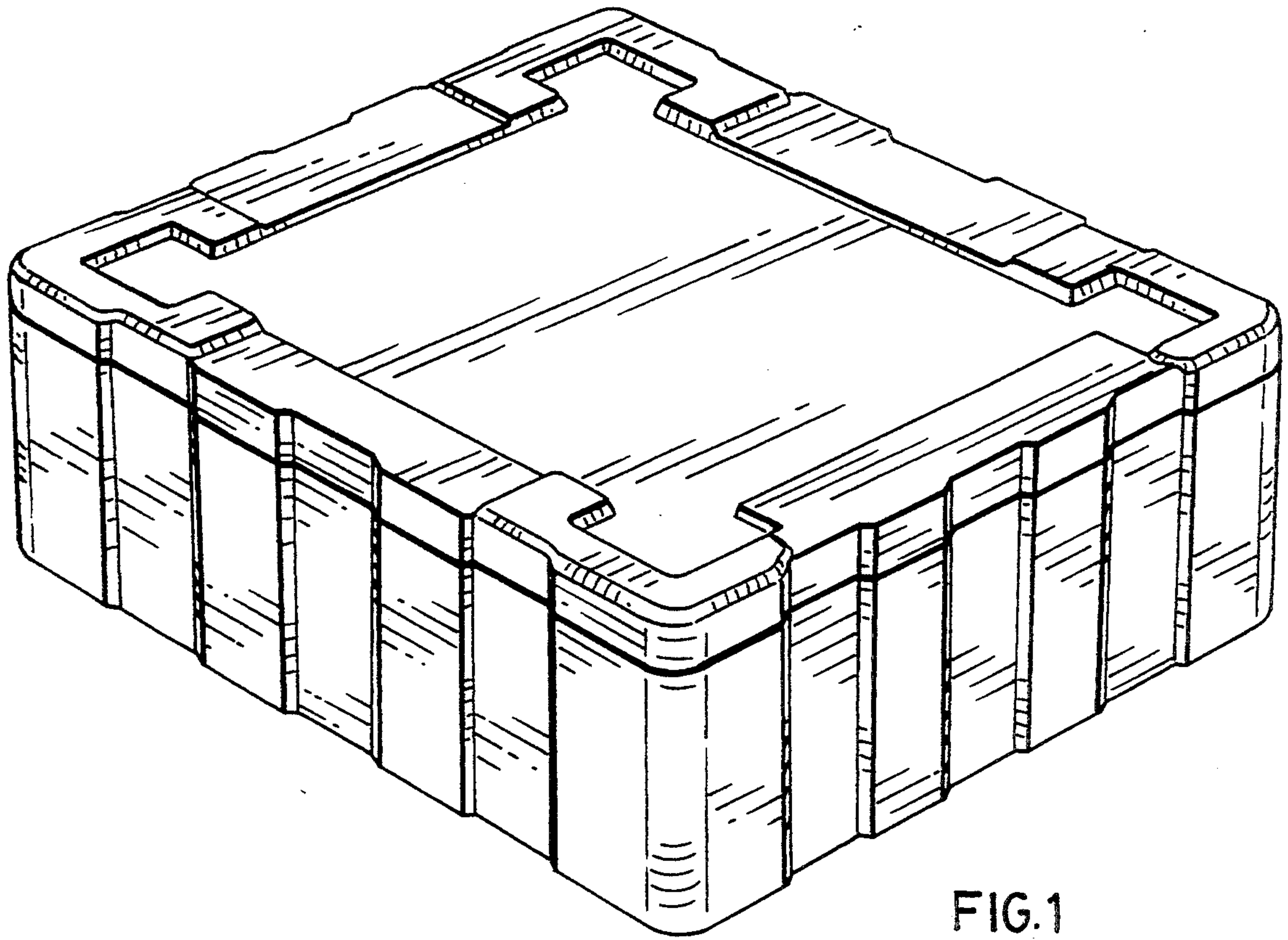


FIG. 1

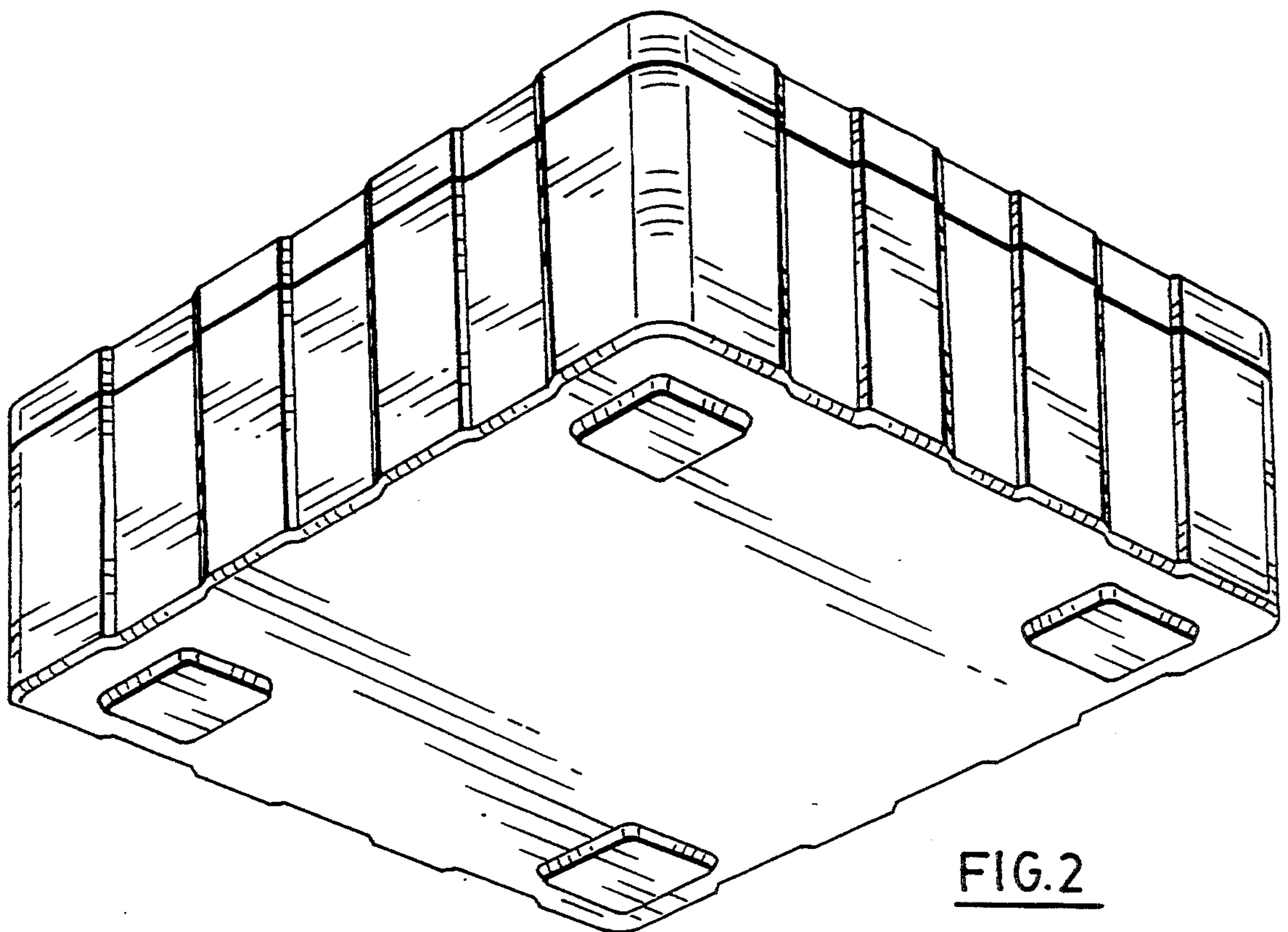


FIG. 2



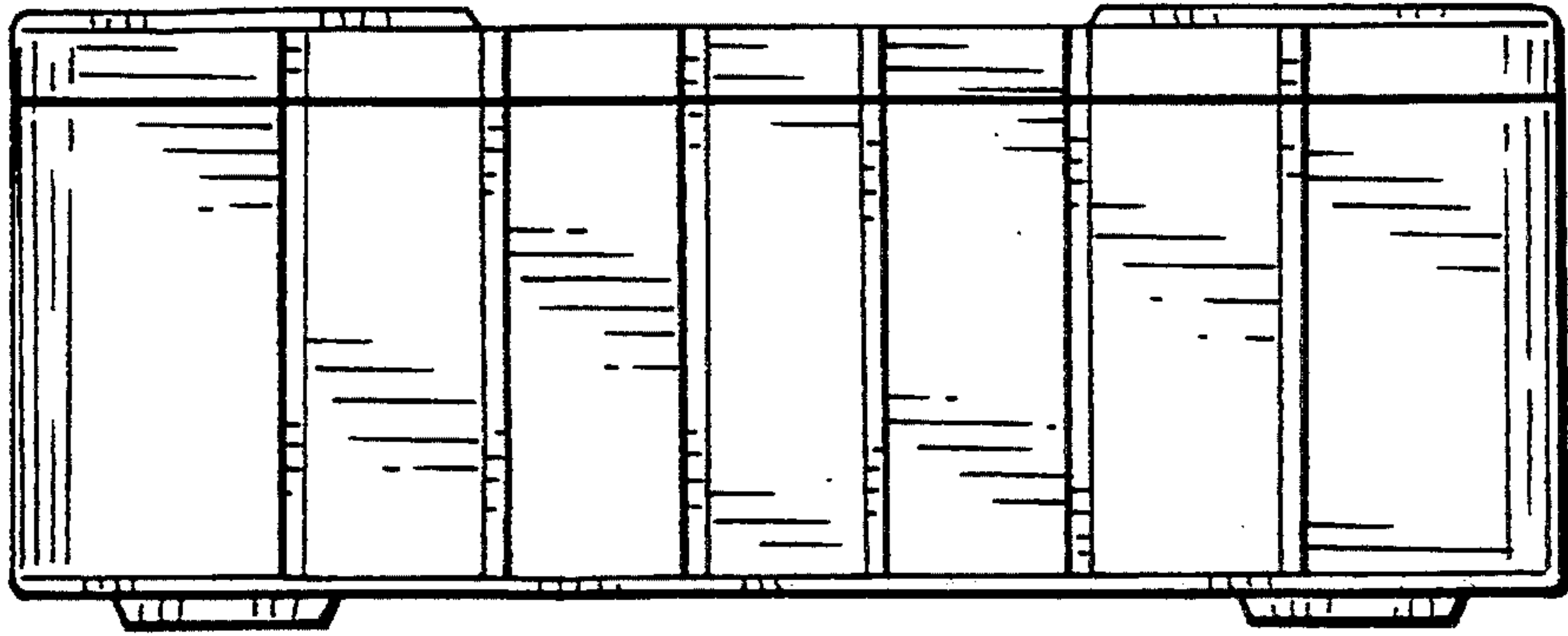


FIG. 3

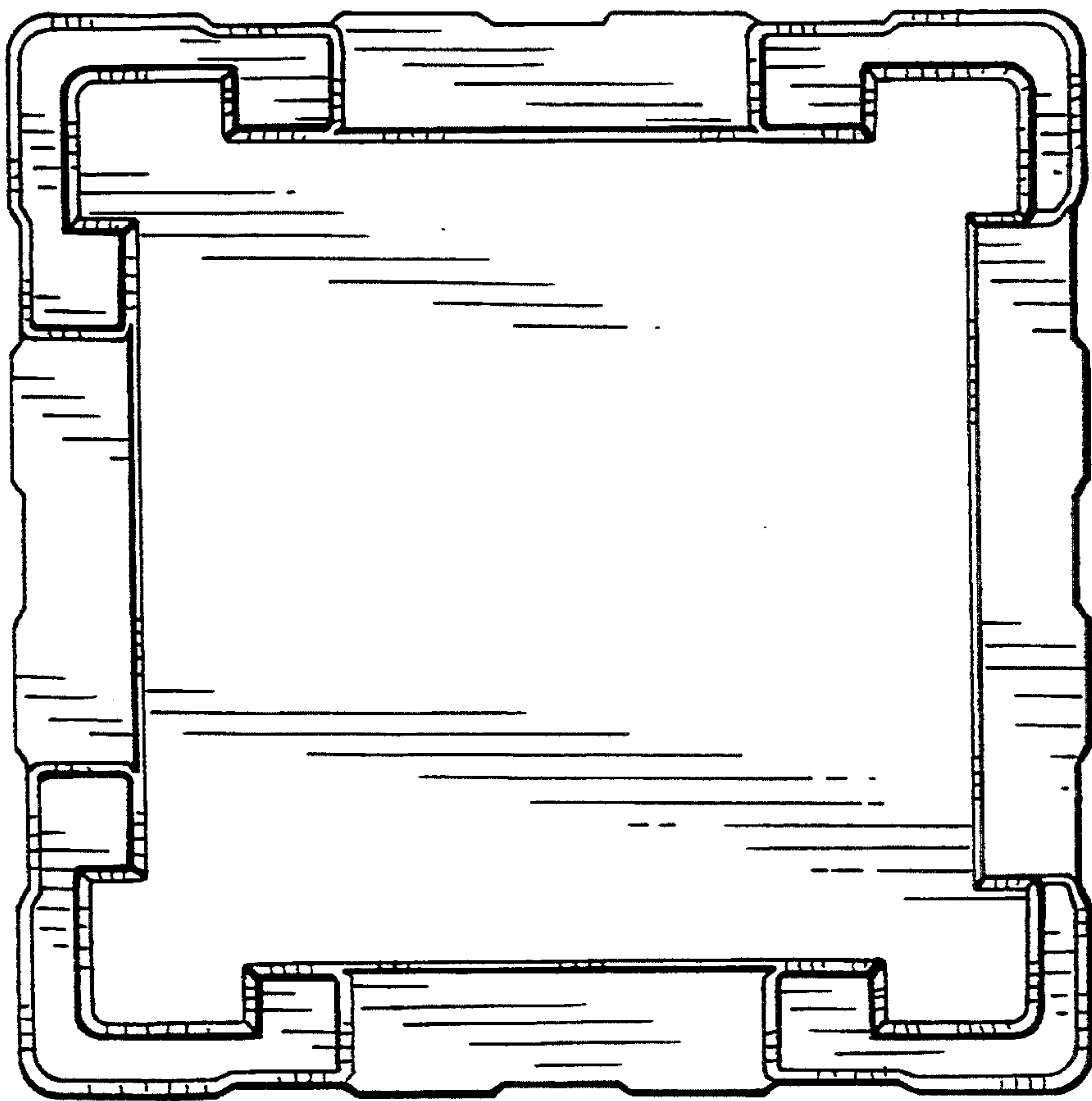


FIG. 4

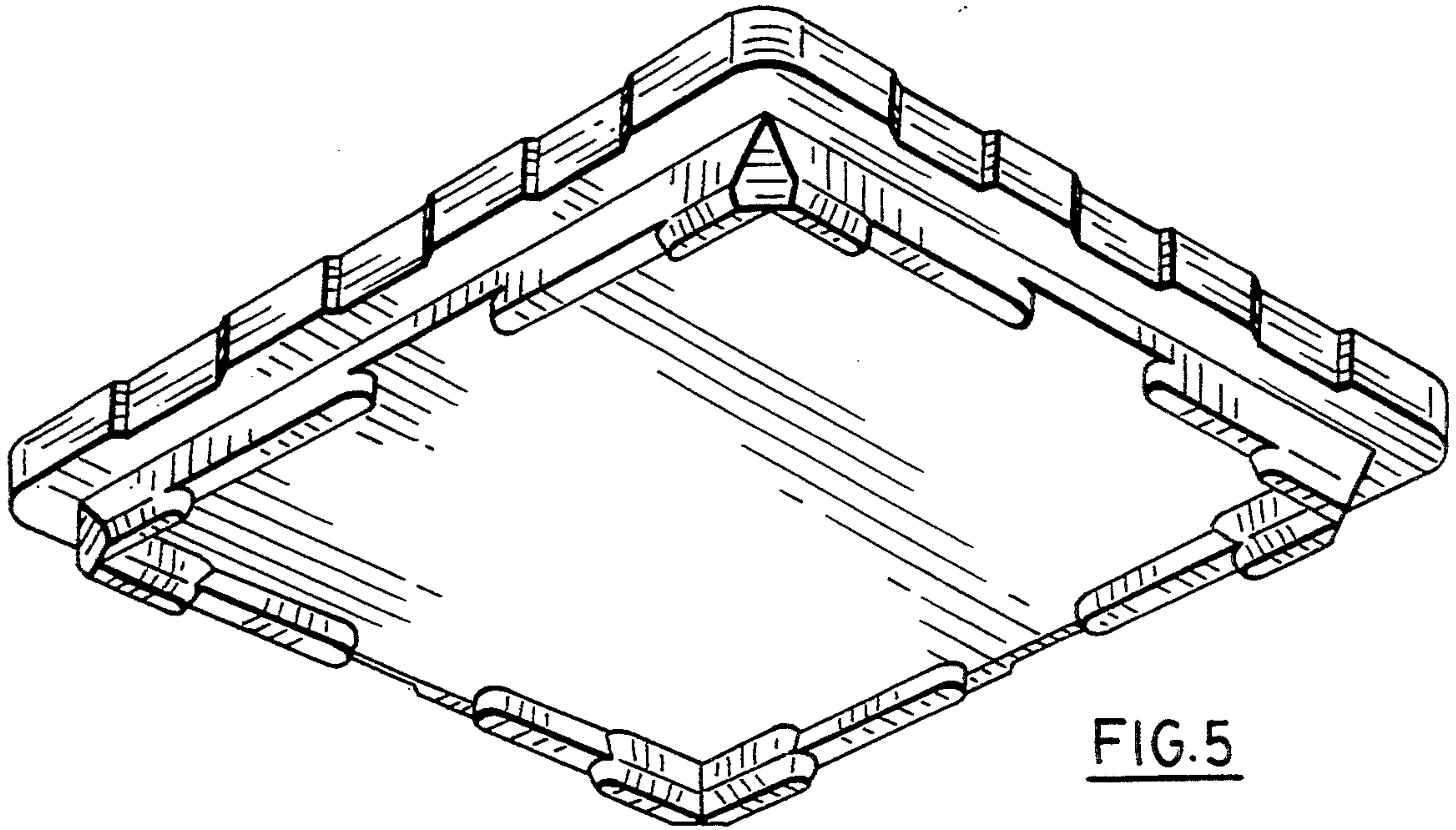


FIG. 5

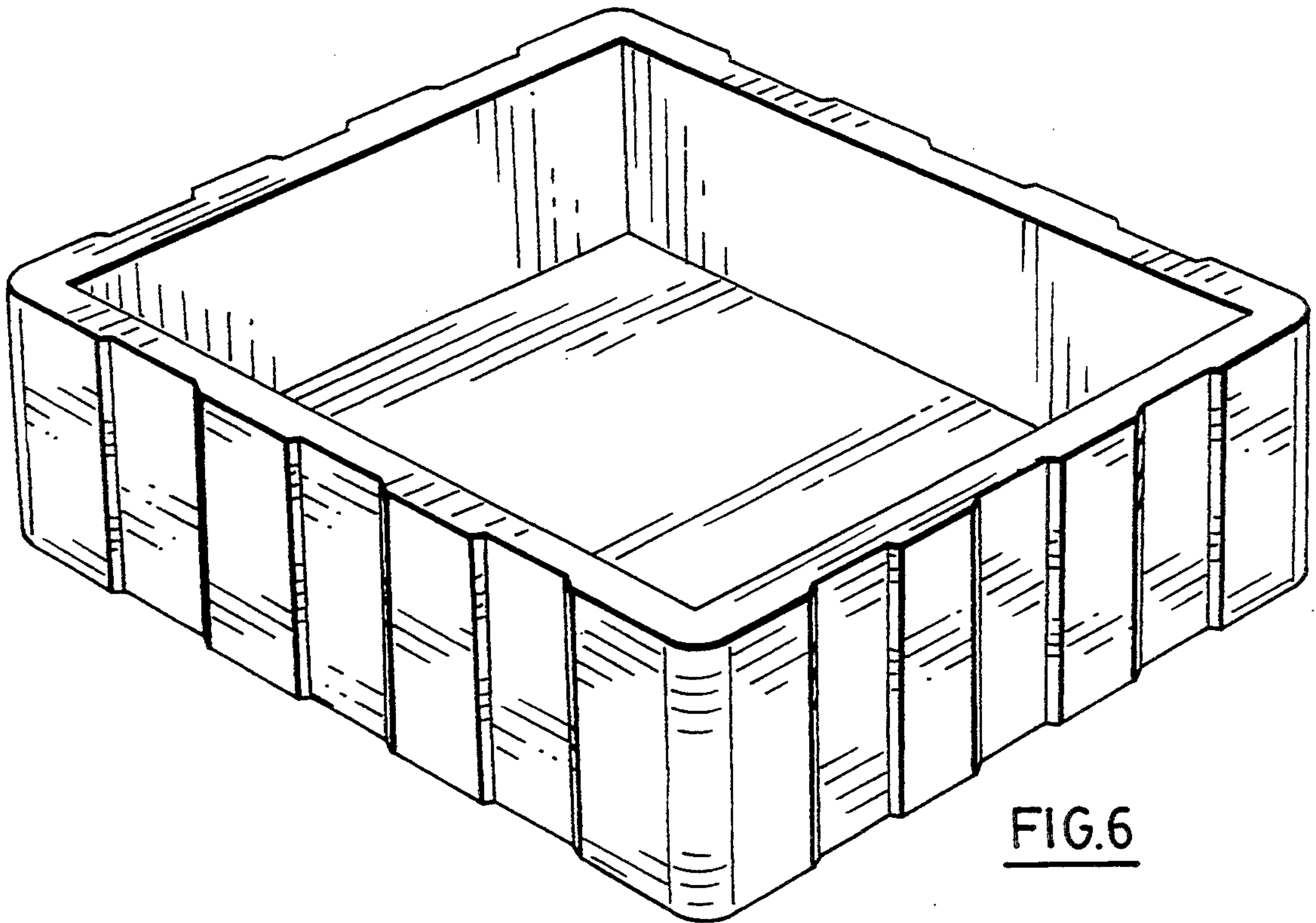


FIG. 6

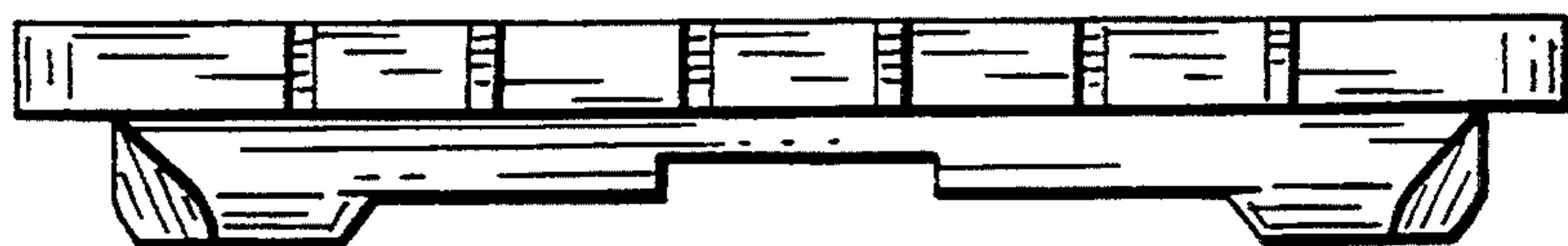


FIG. 7