



US00D361710S

United States Patent [19]

[11] Patent Number: **Des. 361,710**

Boeshart

[45] Date of Patent: ** Aug. 29, 1995

[54] **CONCRETE FORMING TIE**

5,039,058 8/1991 Boeshart 249/194

[76] Inventor: **Patrick E. Boeshart**, P.O. Box 774,
Sioux City, Iowa 51102

Primary Examiner—A. Hugo Word
Assistant Examiner—Holly Baynham
Attorney, Agent, or Firm—Zarley, McKee, Thomte,
Voorhees & Sease; Mark D. Frederiksen

[**] Term: **14 Years**

[21] Appl. No.: **21,739**

[57] **CLAIM**

[22] Filed: **Apr. 22, 1994**

The ornamental design for a concrete forming tie, as shown in the drawings.

[52] U.S. Cl. **D8/354**

[58] Field of Search D8/354; 52/426, 698;
249/194, 216; D25/199

DESCRIPTION

[56] **References Cited**

U.S. PATENT DOCUMENTS

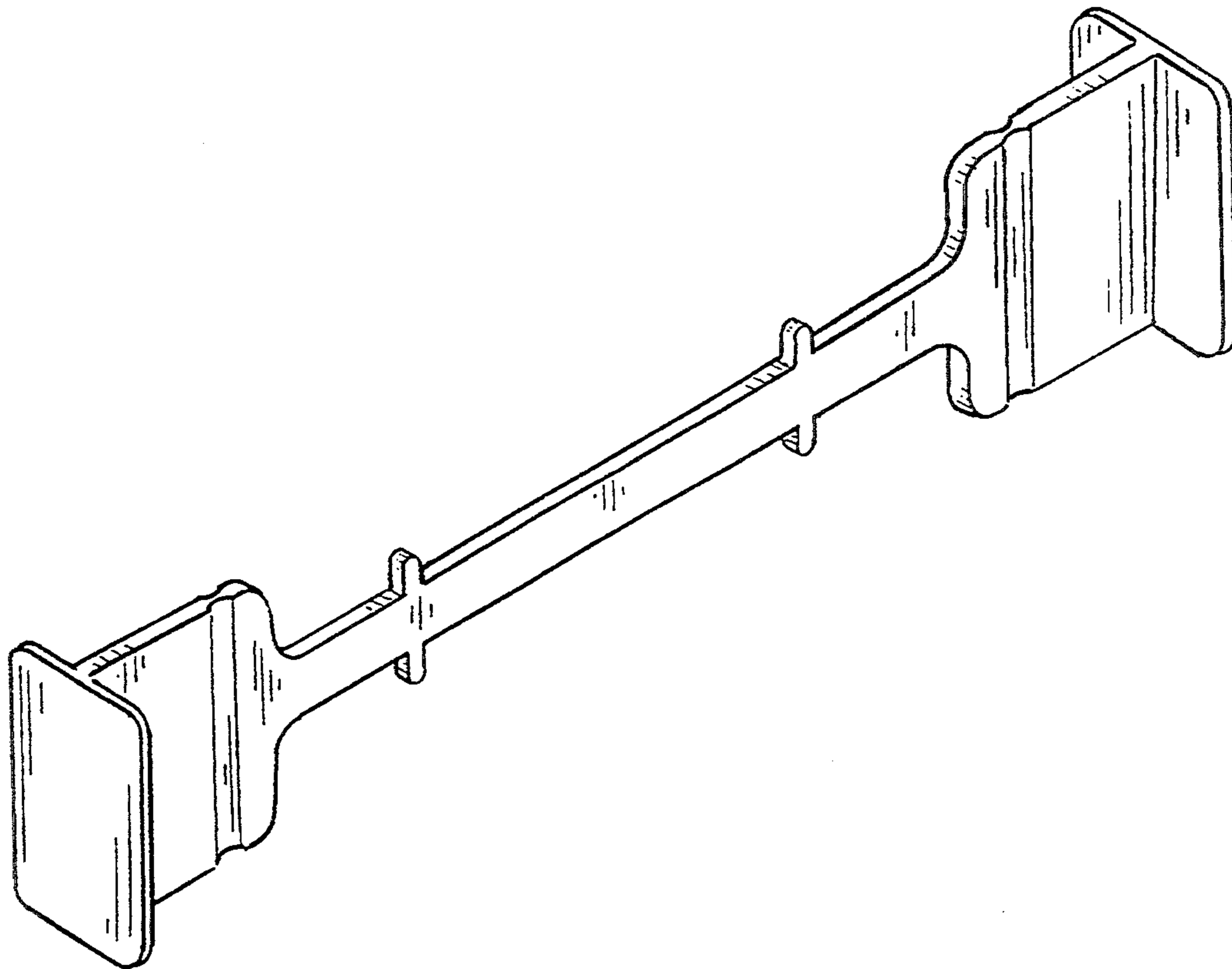
4,730,422	3/1988	Young	52/105
4,731,968	3/1988	Obino	52/309
4,765,109	8/1988	Boeshart	52/426
4,889,310	12/1989	Boeshart	52/426 X
4,936,540	6/1990	Boeshart	249/216
4,938,449	7/1990	Boeshart	249/216

FIG. 1 is a perspective view of the concrete forming tie showing my new design;

FIG. 2 is a top elevational view thereof, the bottom elevational view being a mirror image thereof;

FIG. 3 is a front elevational view, the rear elevational view being a mirror image thereof; and,

FIG. 4 is an elevational view taken from the left end of FIG. 3, the right end elevational view being a mirror image thereof.



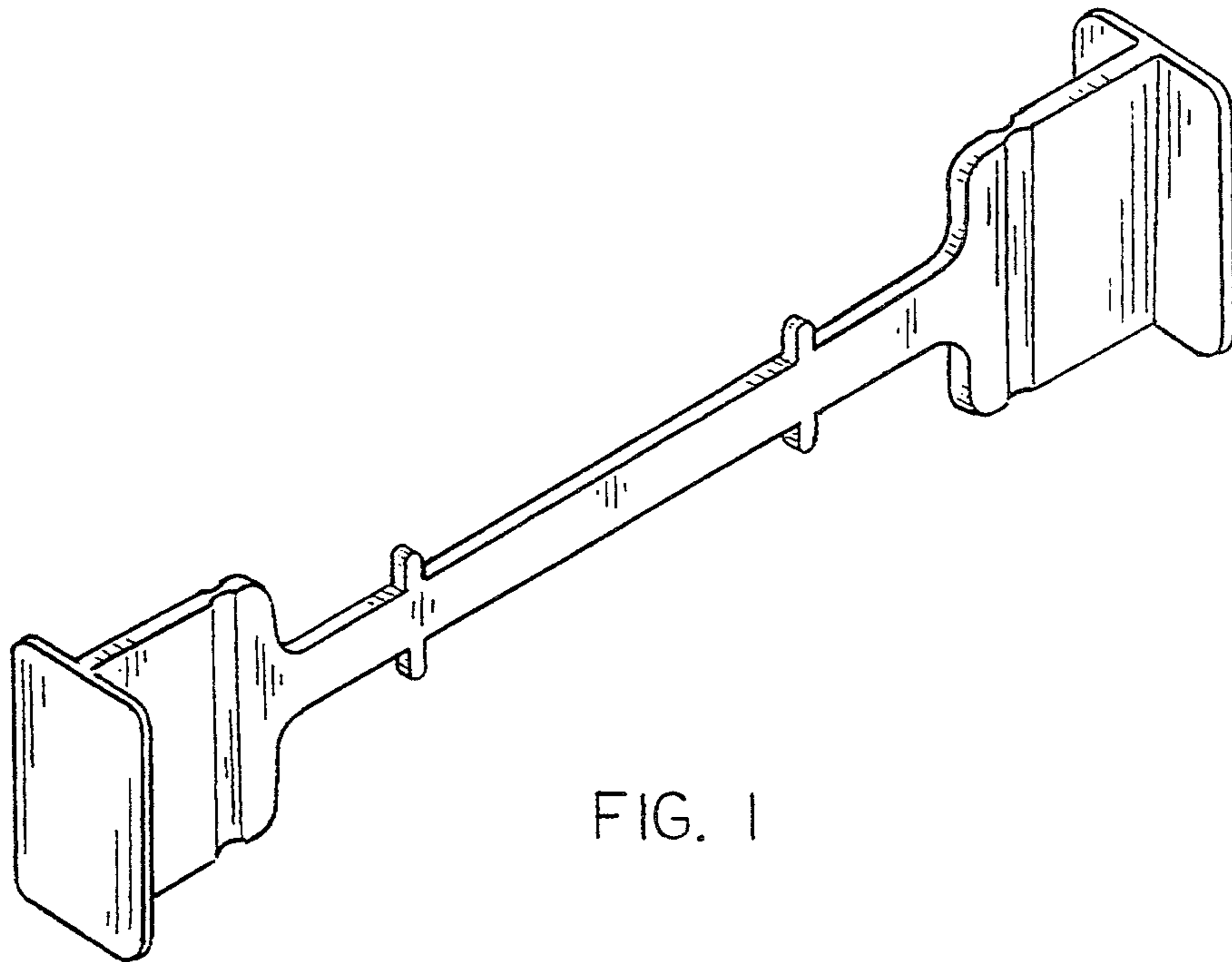


FIG. 1

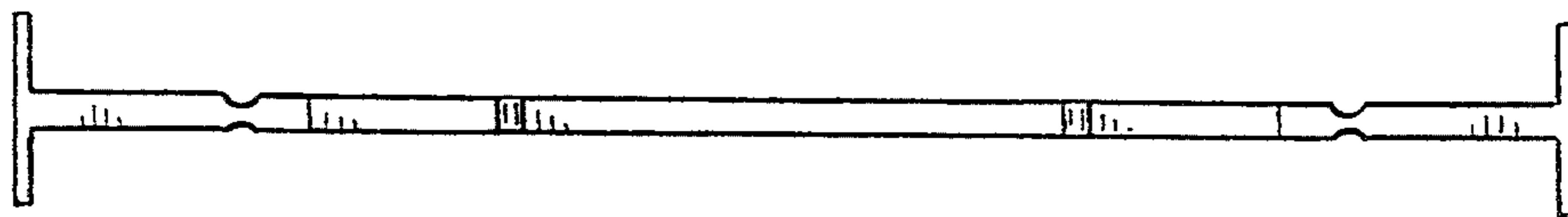


FIG. 2

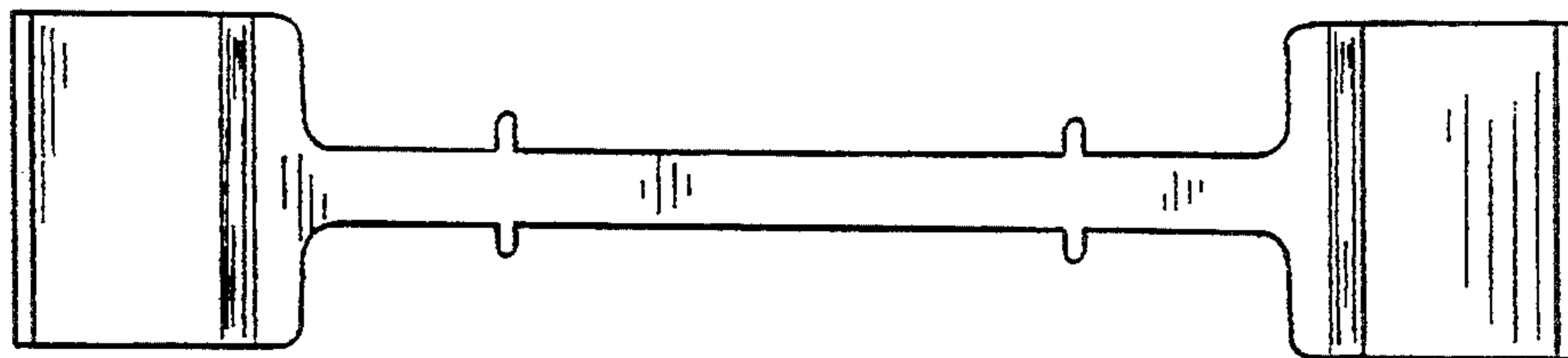


FIG. 3

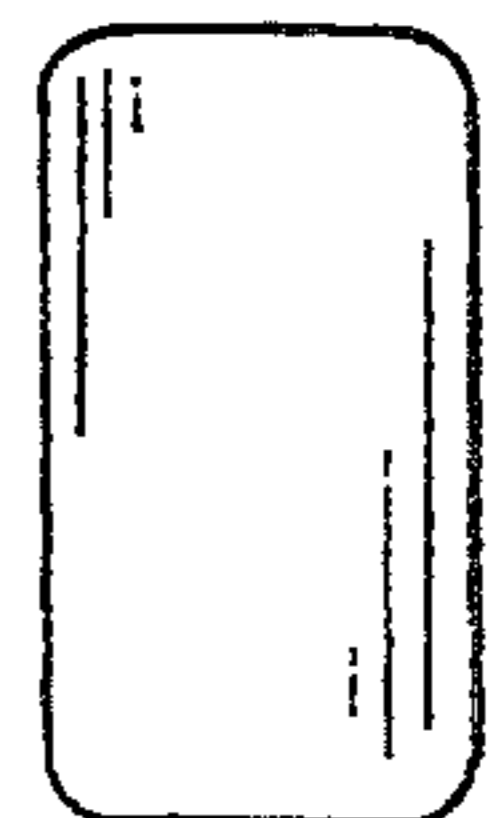


FIG. 4