



US00D361709S

# United States Patent [19]

Fortenbery

[11] Patent Number: **Des. 361,709**

[45] Date of Patent: **\*\* Aug. 29, 1995**

[54] **EXTRUDED BRACKET FOR A TILT TRAY SORTING CONVEYOR**

[75] Inventor: **J. David Fortenbery, Charlotte, N.C.**

[73] Assignee: **Mantissa Corporation, Charlotte, N.C.**

[\*\*] Term: **14 Years**

[21] Appl. No.: **4,831**

[22] Filed: **Dec. 17, 1992**

[52] U.S. Cl. .... **D8/349**

[58] Field of Search ..... **D8/349; D25/119; 248/243, 250**

D. 283,294	4/1986	Bancroft	.....	D25/119 X
D. 307,637	5/1990	Kennedy et al.	.....	D25/119
2,087,516	7/1937	Hunt	.....	D25/119 X
4,183,487	1/1980	Swain	.....	248/243 X
4,765,575	8/1988	Bergl et al.	.....	248/250

*Primary Examiner*—Wallace R. Burke  
*Assistant Examiner*—H. Baynham  
*Attorney, Agent, or Firm*—Rhodes, Coats & Bennett

### [57] CLAIM

The ornamental design for an extruded bracket for a tilt tray sorting conveyor, as shown and described.

### DESCRIPTION

FIG. 1 is a front perspective view of an extruded bracket for a tilt tray sorting conveyor showing my new design;

FIG. 2 is an end elevational view thereof, the opposite side elevational view being a mirror image;

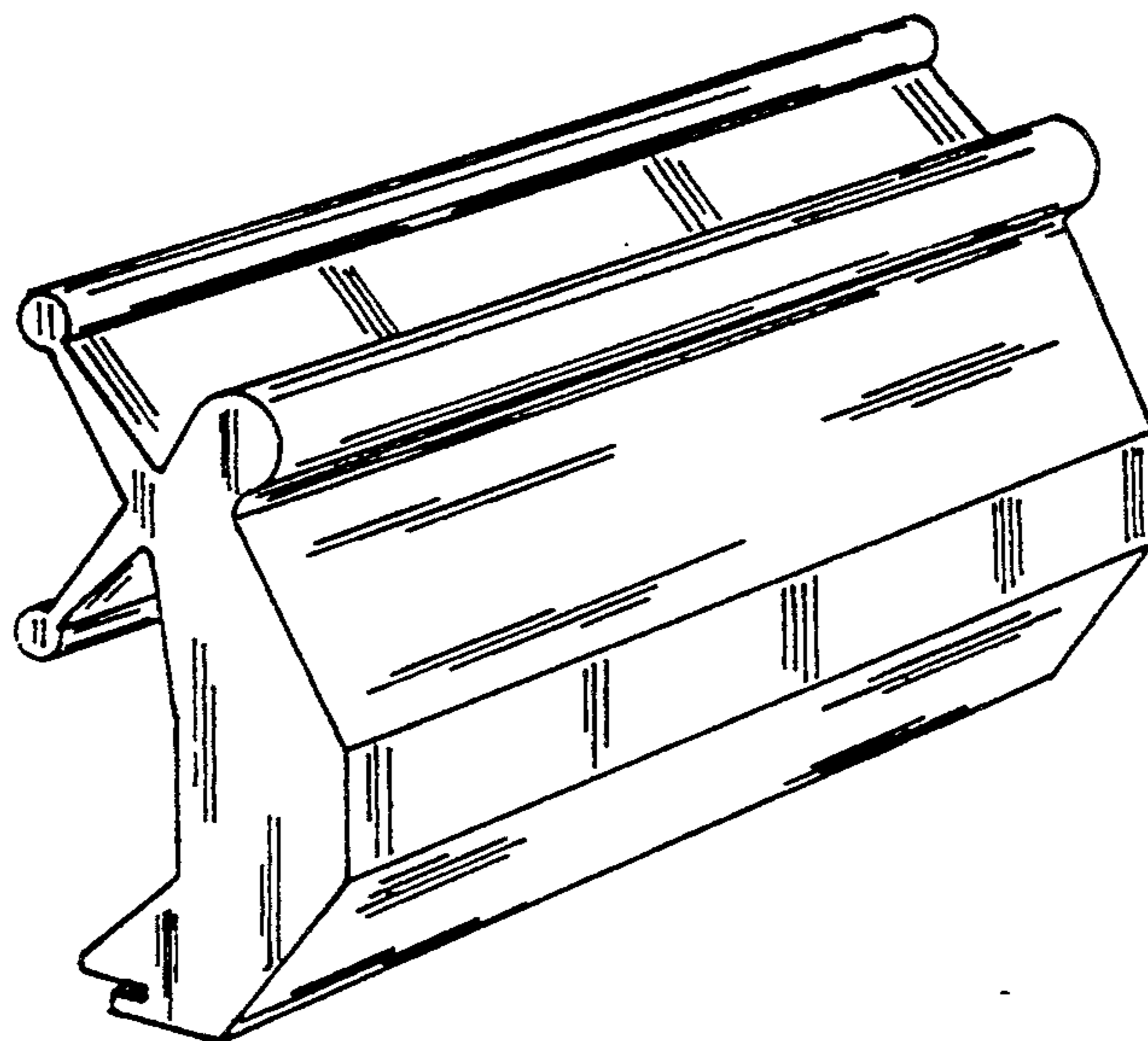
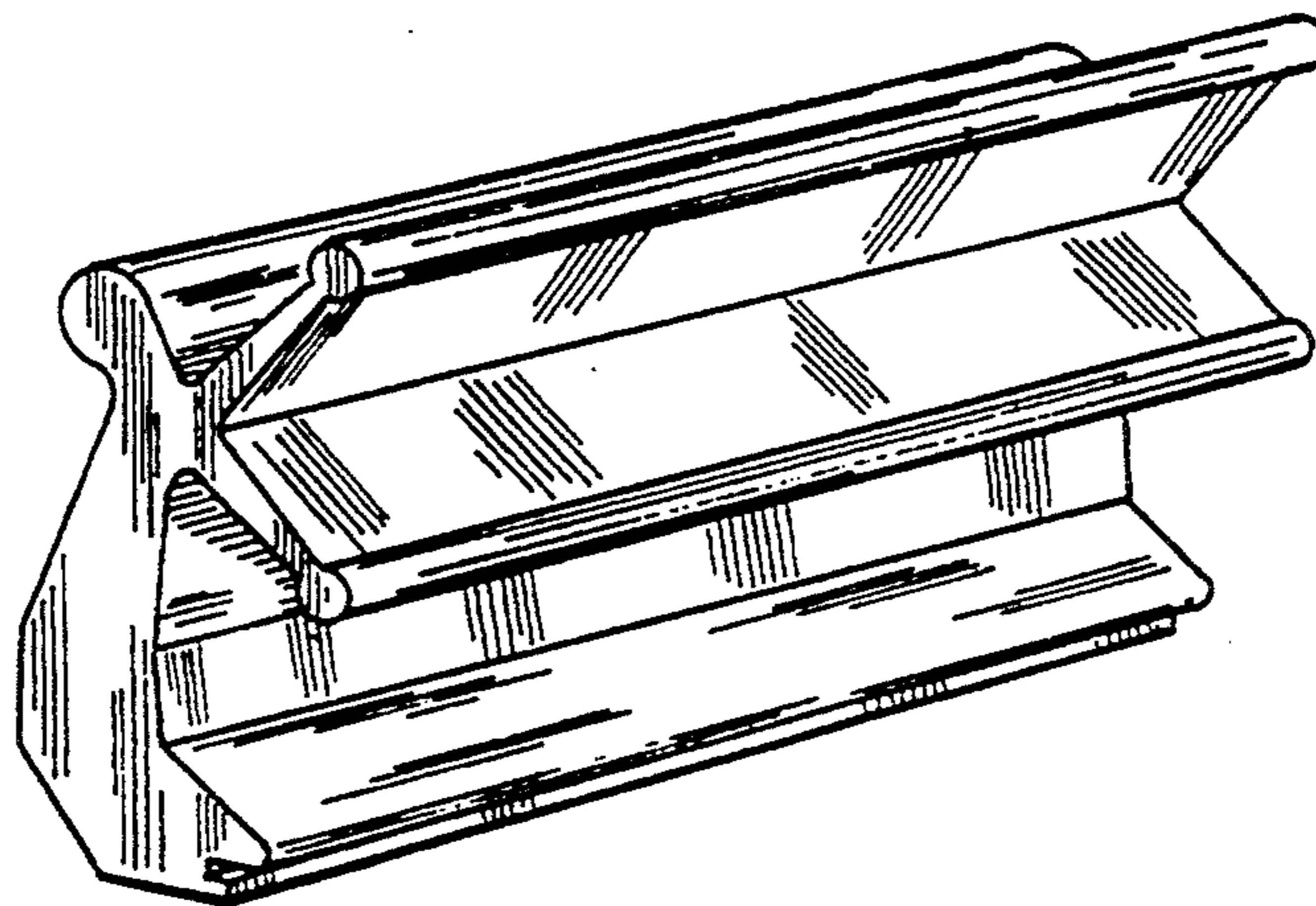
FIG. 3 is a rear elevational view thereof; and,

FIG. 4 is a rear perspective view thereof.

### [56] References Cited

#### U.S. PATENT DOCUMENTS

D. 170,286	8/1953	Roessler	.....	D25/119
D. 272,472	1/1984	Flowers	.....	D25/119
D. 274,559	7/1984	Rosner	.....	D25/119
D. 283,293	4/1986	Bancroft	.....	D25/119 X



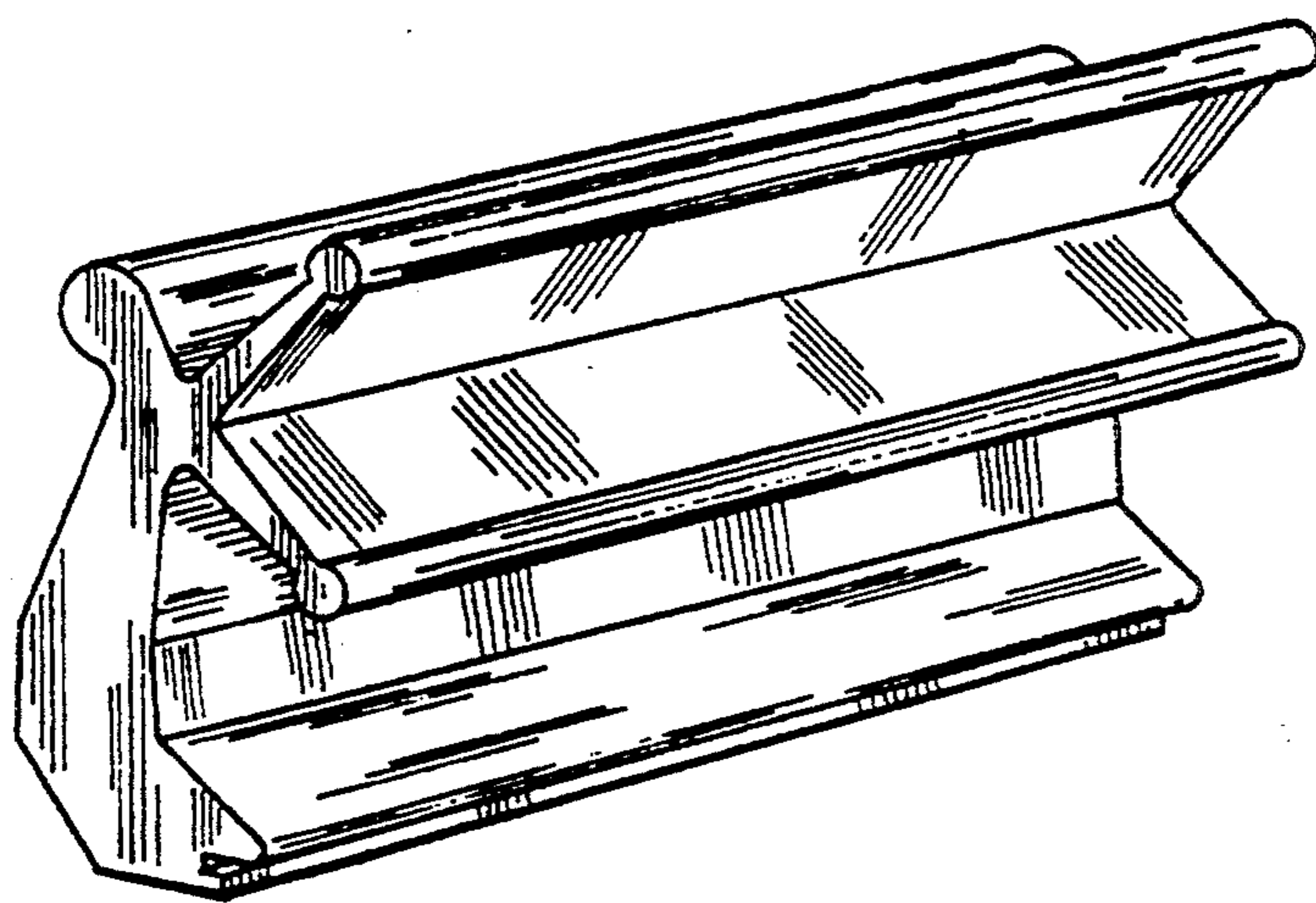
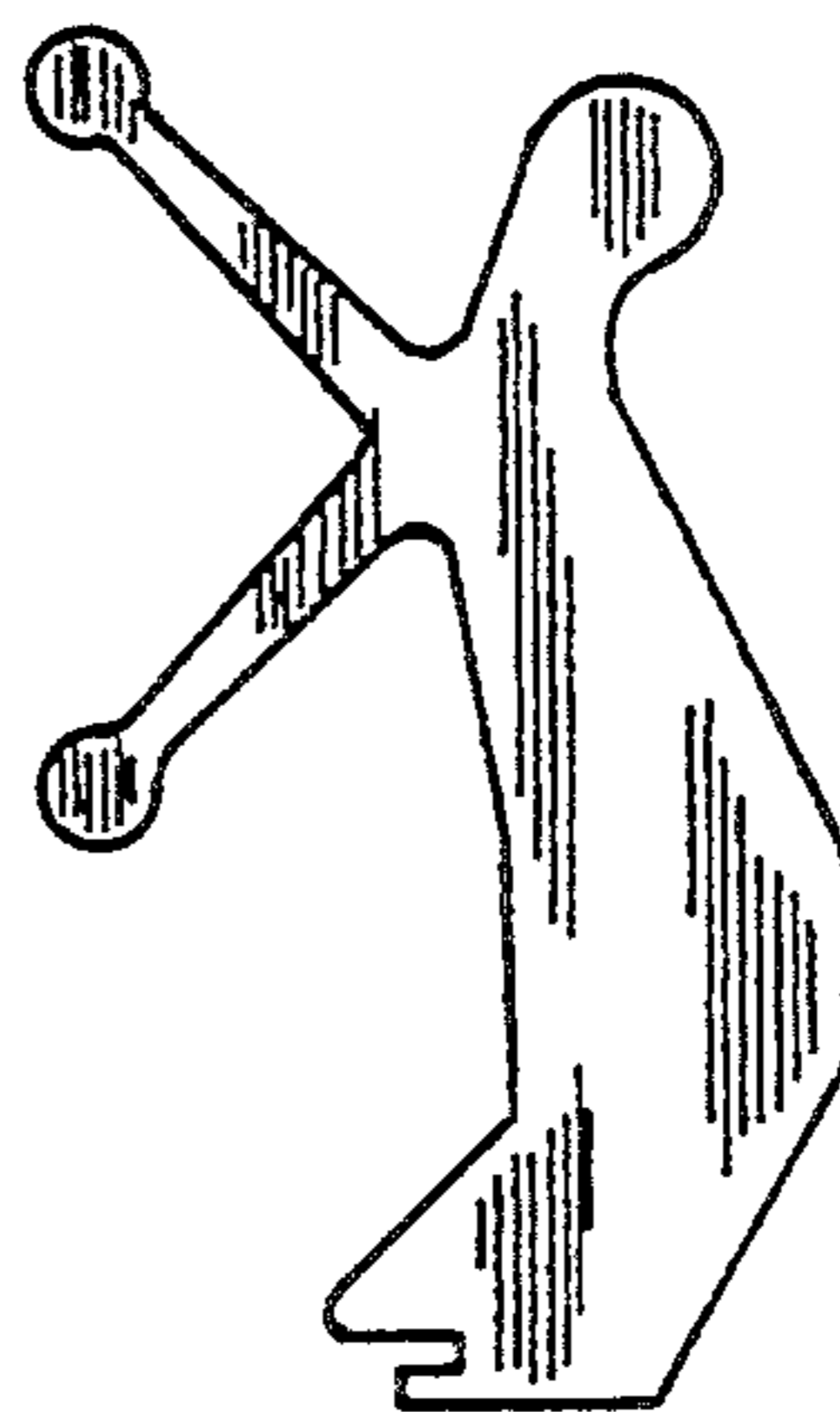


FIG. 1

FIG. 2



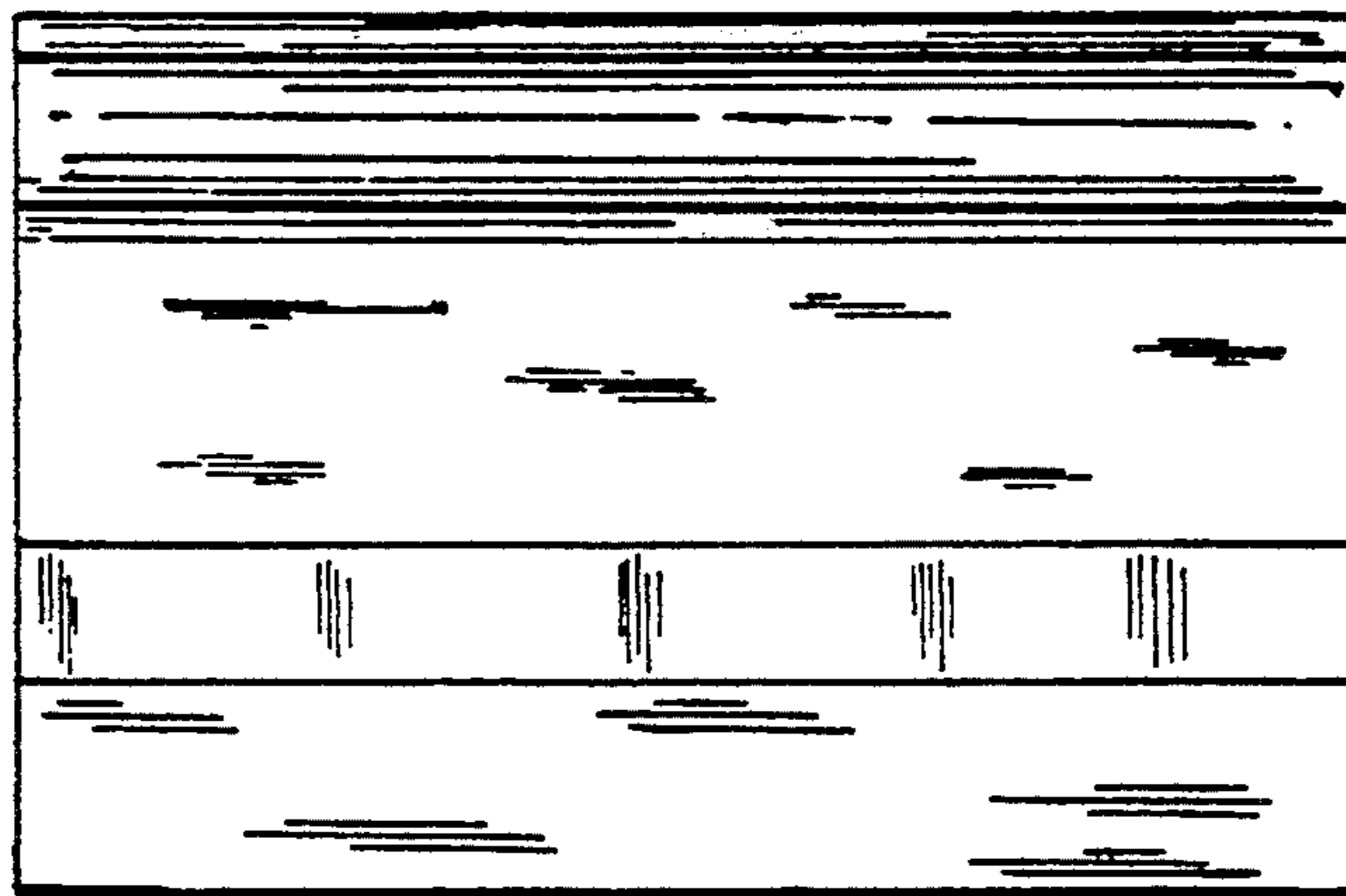


FIG. 3

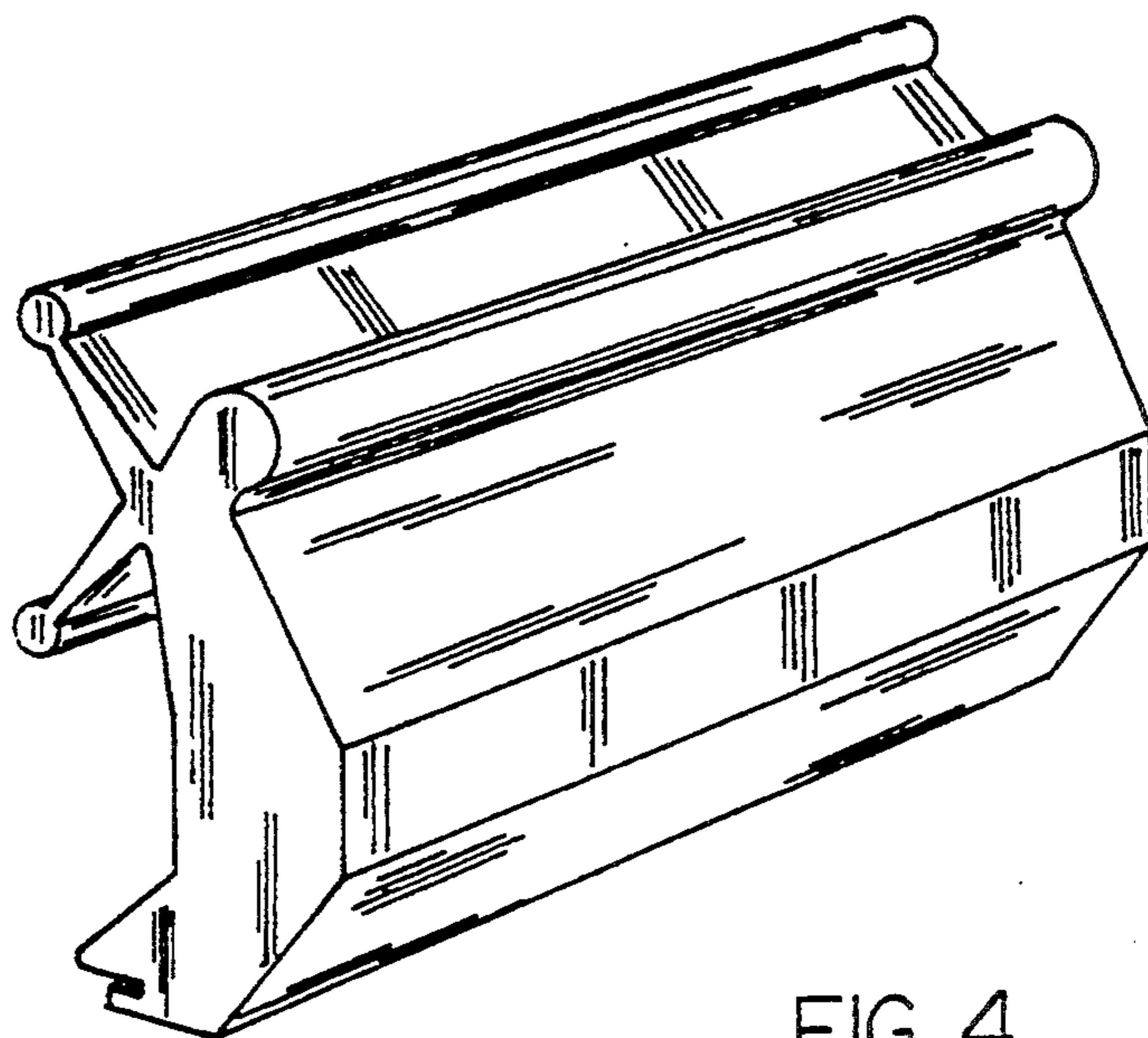


FIG. 4