



US00D361707S

# United States Patent [19]

[11] Patent Number: **Des. 361,707**

**Chieda**

[45] Date of Patent: **\*\* Aug. 29, 1995**

[54] PULL

[75] Inventor: **Robert Chieda**, Wheaton, Ill.

[73] Assignee: **Newell Operating Company**, Freeport, Ill.

[\*] Notice: The portion of the term of this patent subsequent to Apr. 11, 2009 has been disclaimed.

[\*\*] Term: **14 Years**

[21] Appl. No.: **11,365**

[22] Filed: **Aug. 3, 1993**

[52] U.S. Cl. .... **D8/305; D8/317**

[58] Field of Search ..... **D8/315-320, D8/305; 16/110 R, 111 R, 104**

[56] **References Cited**

**U.S. PATENT DOCUMENTS**

D. 189,236	11/1960	Kjellgren	.....	D8/319
D. 189,526	1/1961	Clayton	.....	D8/318
D. 196,036	8/1963	Louis	.....	D8/319
D. 199,965	1/1965	Loeb	.....	D8/319
D. 326,991	6/1992	Bishop	.....	D8/317

**OTHER PUBLICATIONS**

Belwith International, Ltd; Cat. 278; ©1978; p. 6; pull 235.

Item F on p. 11 of a catalog published by Alno, Inc. (publication date unknown).

*Primary Examiner*—B. J. Bullock  
*Attorney, Agent, or Firm*—Leydig, Voit & Mayer, Ltd.

[57] **CLAIM**

The ornamental design for a pull, as shown and described.

**DESCRIPTION**

FIG. 1 is a perspective view of a pull showing my new design;

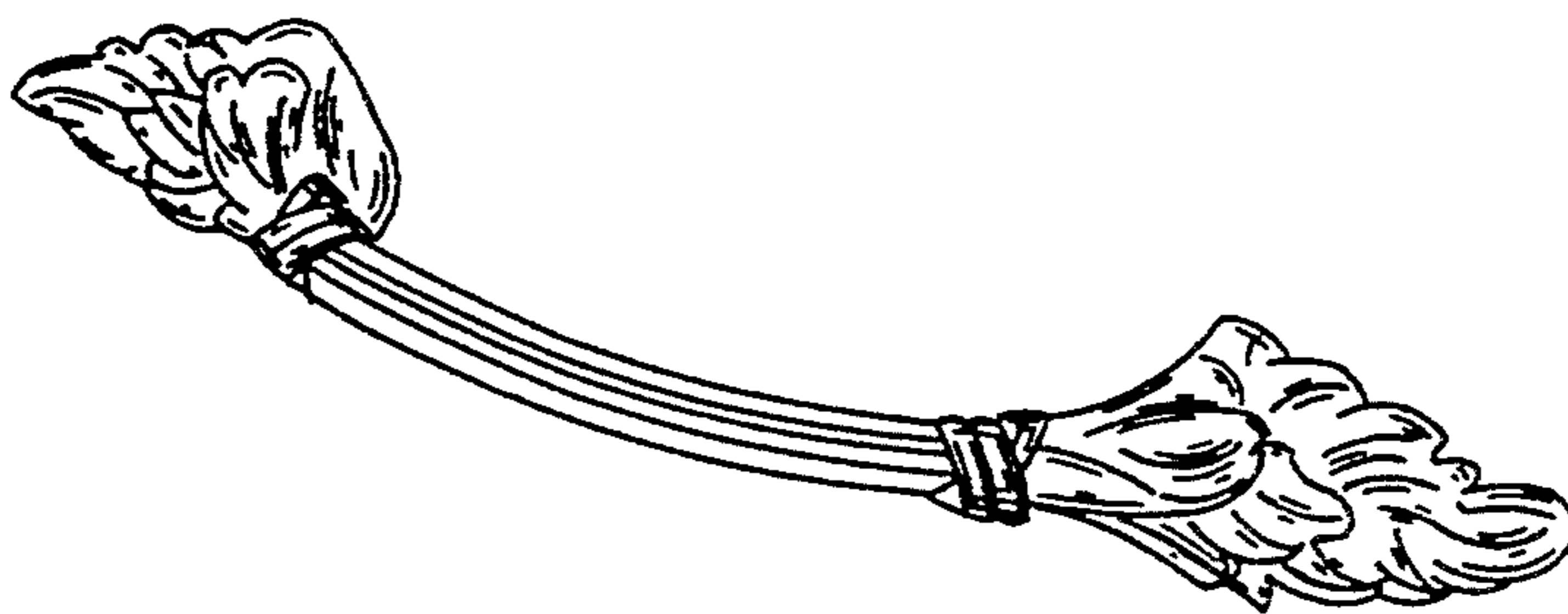
FIG. 2 is an enlarged front view thereof;

FIG. 3 is an enlarged bottom view thereof, the top being substantially a mirror image;

FIG. 4 is an enlarged rear view thereof;

FIG. 5 is an enlarged left end view thereof, the right end being substantially a mirror image; and,

FIG. 6 is an enlarged sectional view taken in the direction of the arrows on line 6—6 of FIG. 3.



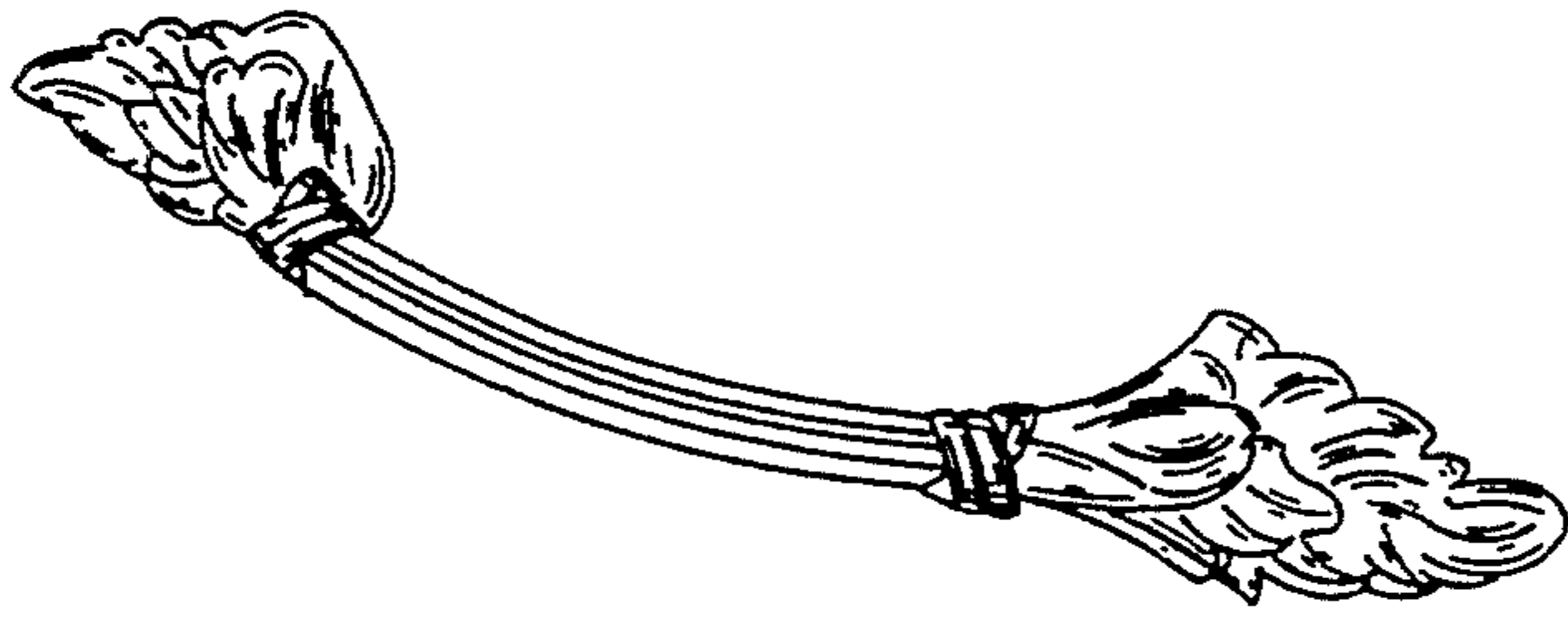


FIG. 1



FIG. 2

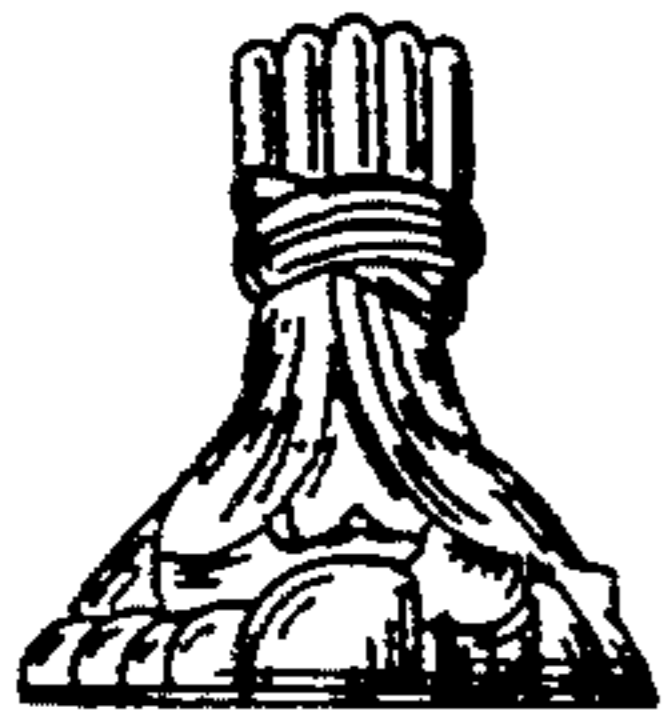


FIG. 5

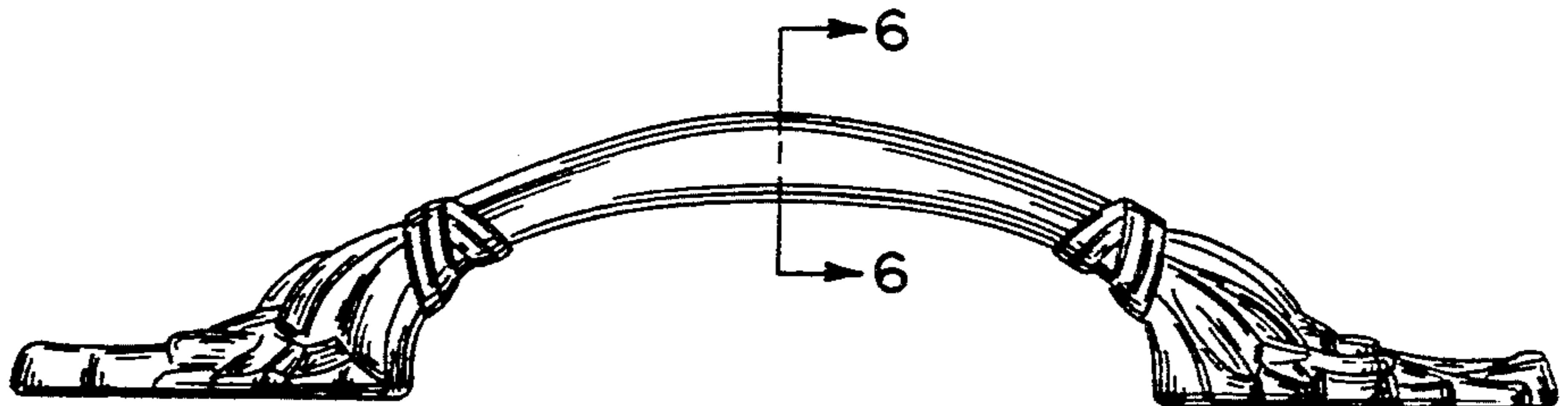


FIG. 3



FIG. 6

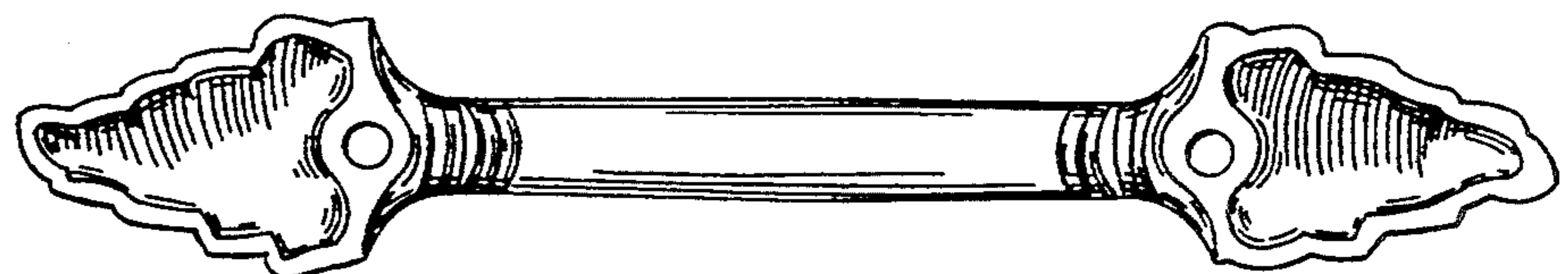


FIG. 4