



US00D361703S

United States Patent [19]

[11] Patent Number: **Des. 361,703**

Payne

[45] Date of Patent: **** Aug. 29, 1995**

[54] LUMBER WRENCH

[76] Inventor: **Douglas F. Payne**, P.O. Box 582,
Wellsriver, Vt. 05081

[**] Term: **14 Years**

[21] Appl. No.: **30,768**

[22] Filed: **Nov. 7, 1994**

[52] U.S. Cl. **D8/21**

[58] Field of Search **D8/21; 81/119; 254/25,
254/131; 294/17, 92**

[56] **References Cited**

U.S. PATENT DOCUMENTS

| | | | | |
|-----------|---------|-----------|-------|--------|
| D. 44,125 | 6/1913 | Earle | | D8/22 |
| 1,464,128 | 8/1923 | Coes | | 81/64 |
| 2,569,602 | 10/1951 | Goodnight | | 81/129 |
| 4,762,303 | 8/1988 | Thomas | | 254/25 |

FOREIGN PATENT DOCUMENTS

| | | | | |
|---------|---------|--------|-------|--------|
| 0497995 | 12/1953 | Canada | | 294/92 |
| 0512154 | 4/1955 | Canada | | 294/92 |

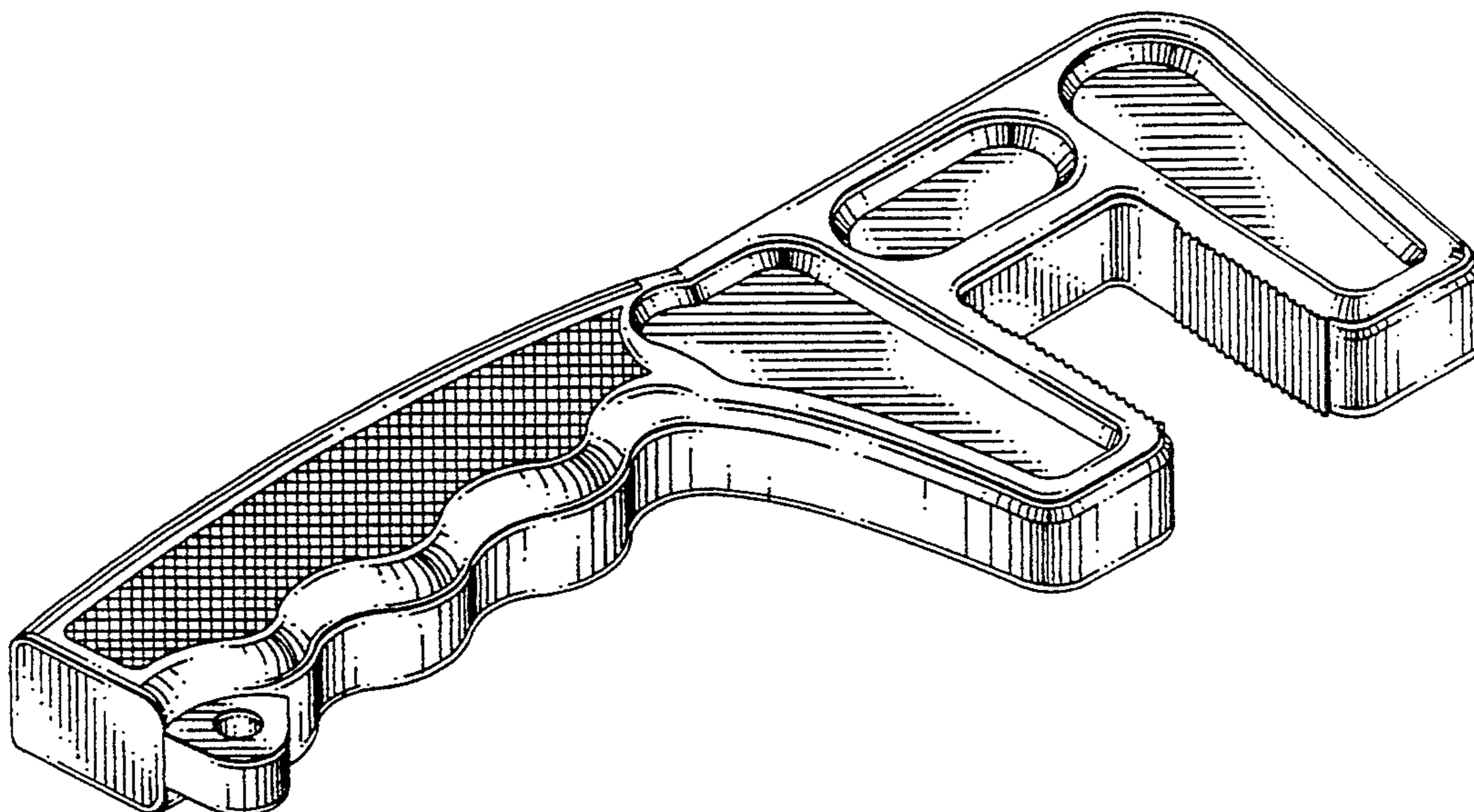
Primary Examiner—Terry A. Wallace
Assistant Examiner—Richelle Shelton
Attorney, Agent, or Firm—Spencer E. Olson

[57] CLAIM

The ornamental design for a lumber wrench, as shown and described.

DESCRIPTION

FIG. 1 is a left side perspective view of a lumber wrench showing my new design;
FIG. 2 is a right side elevation view thereof;
FIG. 3 is a top plan view thereof;
FIG. 4 is a bottom plan view thereof;
FIG. 5 is a front elevation view thereof; and,
FIG. 6 is a rear elevation view thereof.



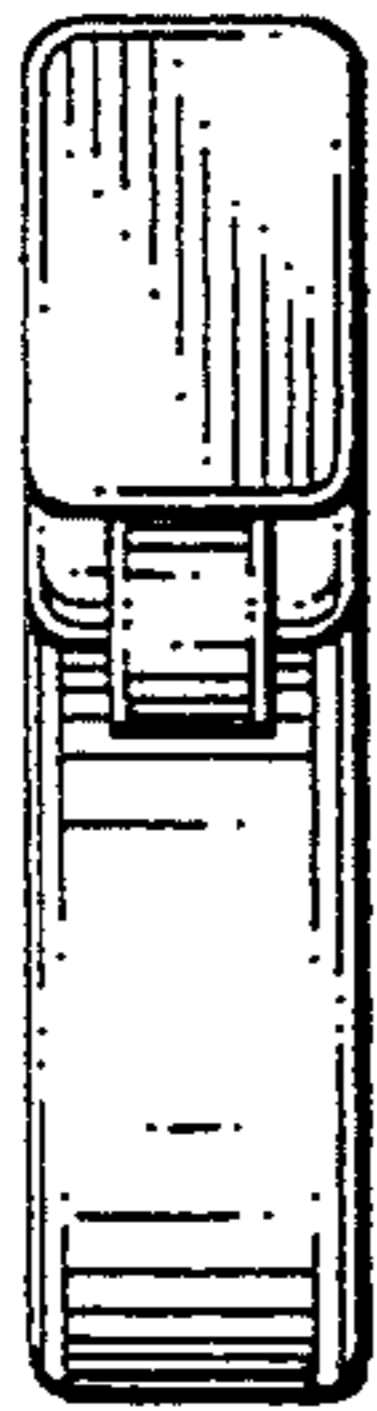


FIG. 6

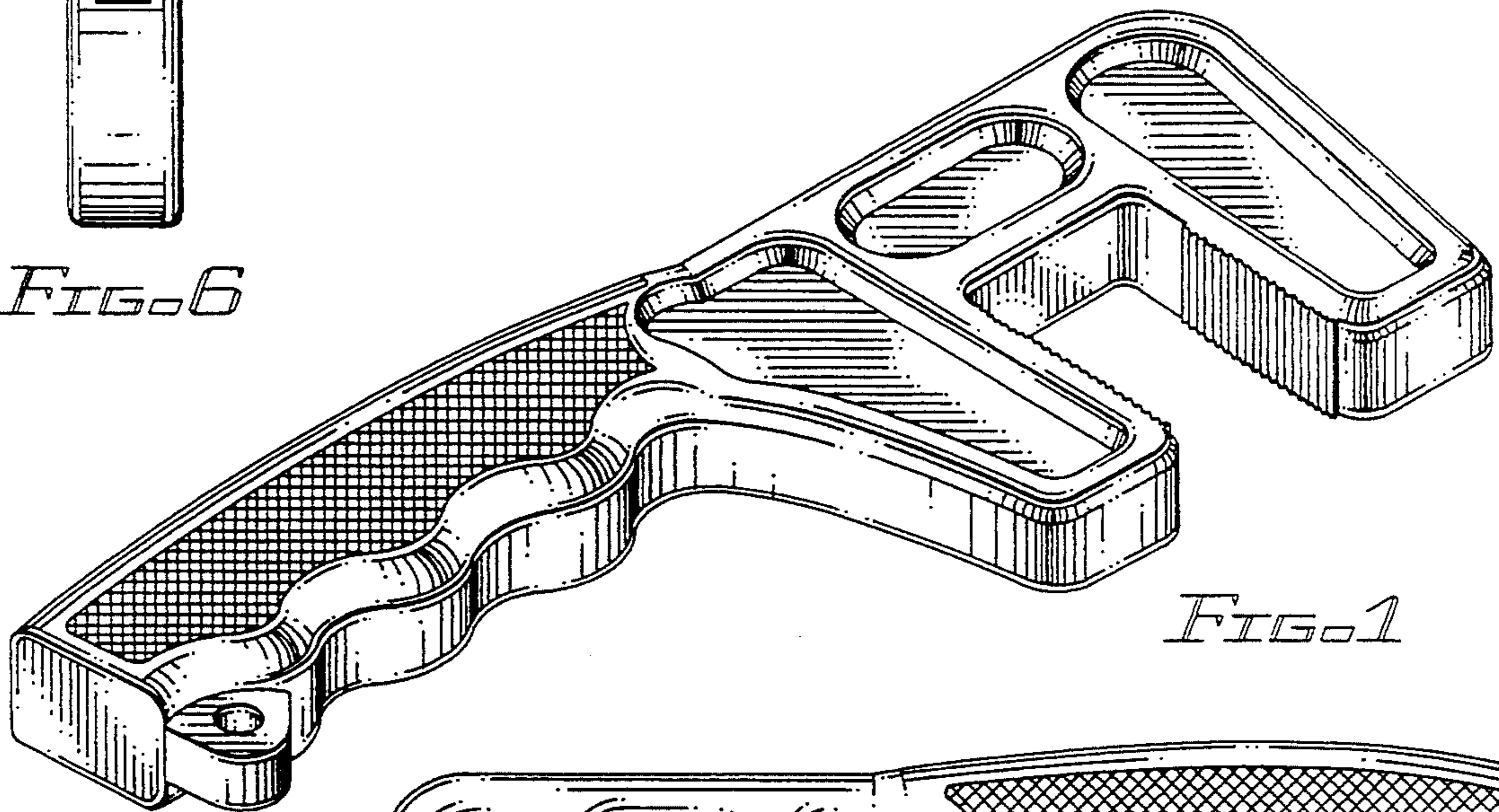


FIG. 1

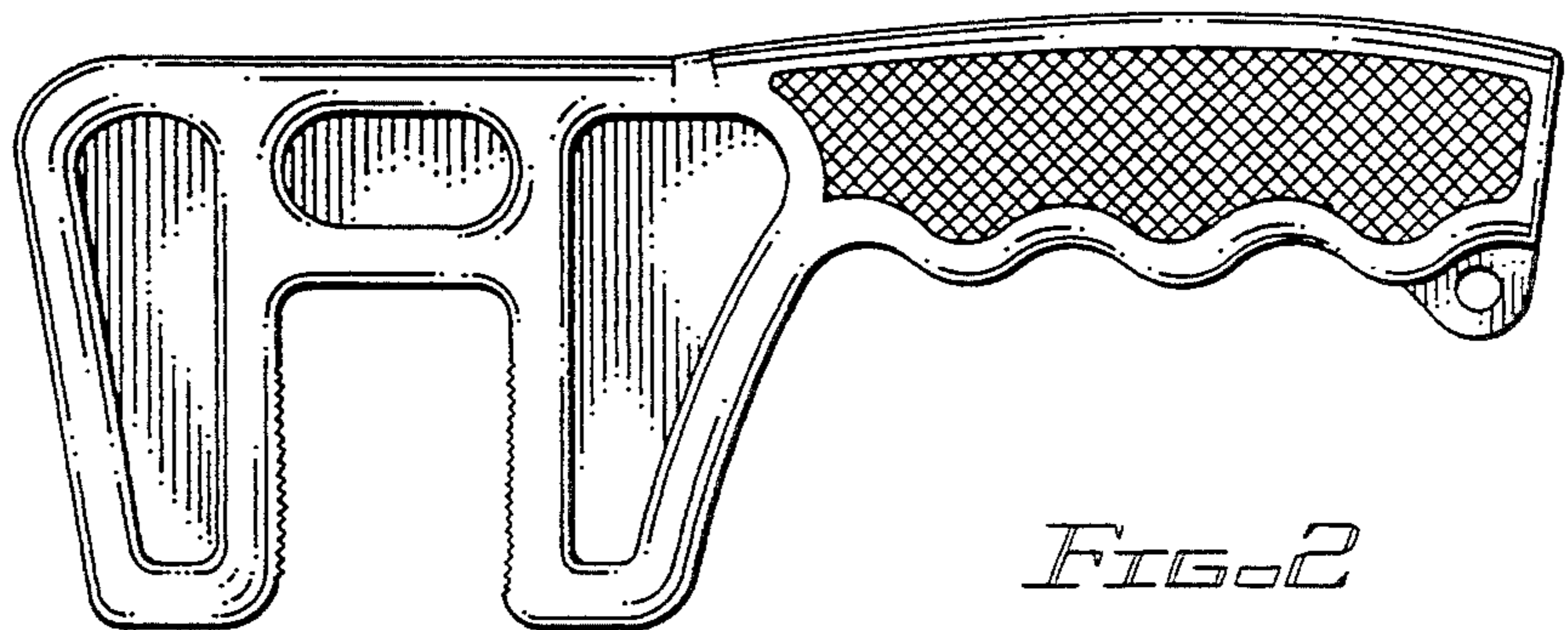


FIG. 2

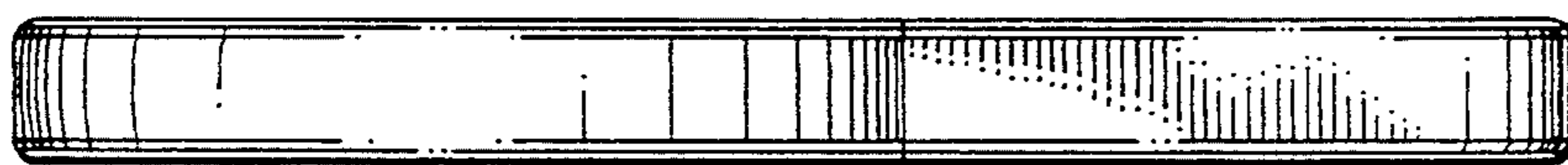


FIG. 3



FIG. 4



FIG. 5