



US00D361701S

United States Patent [19] Pink

[11] Patent Number: **Des. 361,701**

[45] Date of Patent: **** Aug. 29, 1995**

[54] LOWER HOUSING OF FILAMENT TRIMMER

[75] Inventor: **Anthony N. Pink**, Shorewood, Minn.

[73] Assignee: **The Toro Company**, Minneapolis, Minn.

[**] Term: **14 Years**

[21] Appl. No.: **21,214**

[22] Filed: **Apr. 11, 1994**

Related U.S. Application Data

[63] Continuation of Ser. No. 11,343, Aug. 2, 1993, abandoned.

[52] U.S. Cl. **D8/8**

[58] Field of Search **D8/8; 30/276; 56/12.7**

[56] References Cited

U.S. PATENT DOCUMENTS

D. 219,005	10/1970	Gale et al.	D8/8
D. 250,450	12/1978	Tiedemann	D8/8
D. 253,086	10/1979	Hinklin et al.	D8/8
D. 256,090	7/1980	Hinklin et al.	D8/8
D. 307,860	5/1990	Ellis	D8/8
4,047,299	9/1977	Bair	56/12.7 X
4,052,789	10/1977	Ballas .	
4,183,138	1/1980	Mitchell et al. .	
4,282,653	8/1981	Comer et al.	56/12.7 X
4,790,071	12/1988	Helmig et al.	56/12.7 X

OTHER PUBLICATIONS

Black & Decker Instruction Manual for Bump Feed Yard Trimmers, Models 82314, 82316, dated 1989.

Sears Operator's Manual, Electric Trimmer, dated Jan. 26, 1993.

Ikra Trimmer Brochure, Models 2004, 6007, 7001, dated 1991.

Ikra Trimmer Brochure, Model 7001, dated Aug. 1989.

Weed Eater Electric Trimmer Brochure dated 1986.

Primary Examiner—A. Hugo Word

Assistant Examiner—Holly H. Baynham

Attorney, Agent, or Firm—James W. Miller

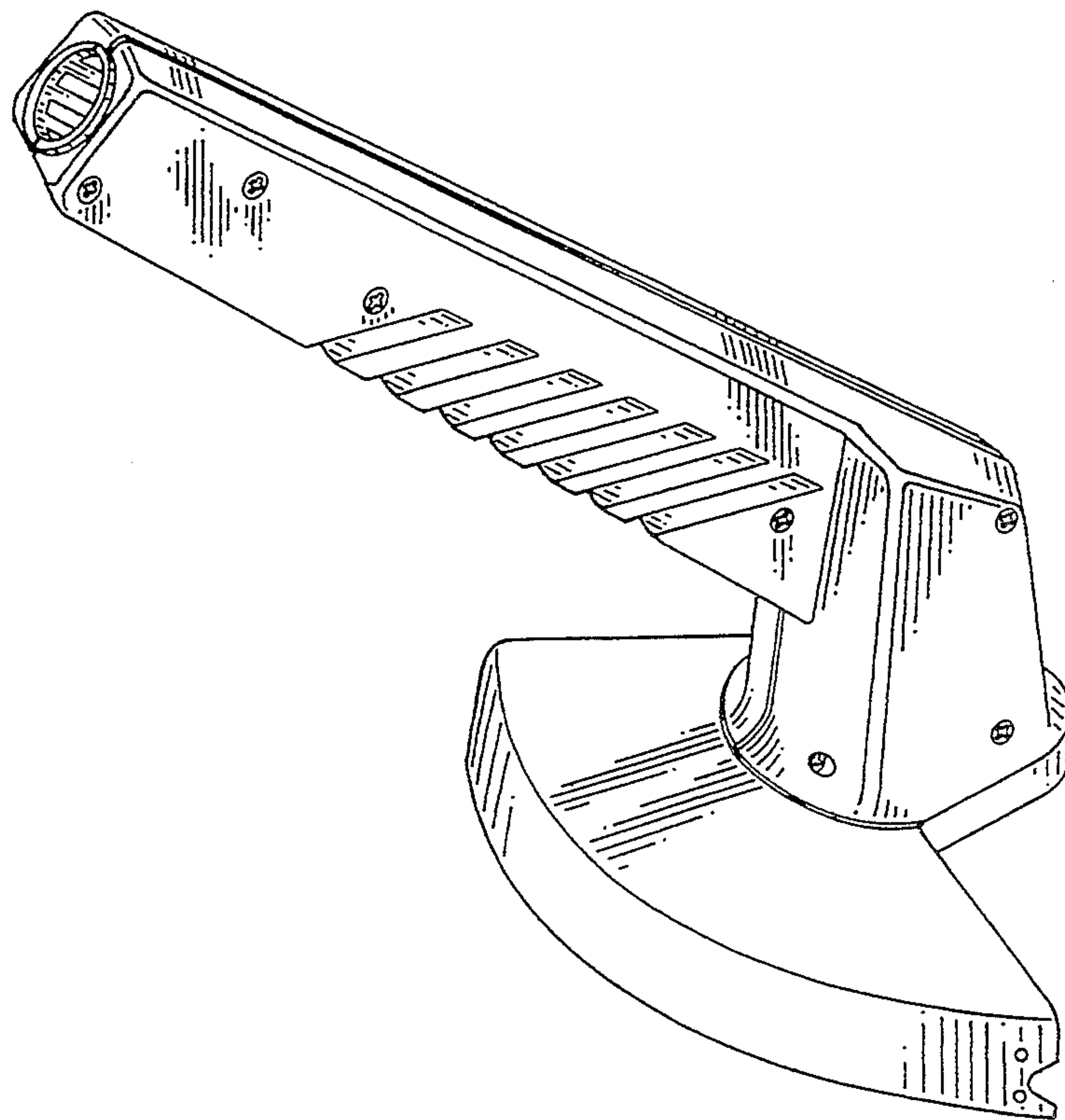
[57] CLAIM

The ornamental design for a lower housing for a filament trimmer, as shown and described.

DESCRIPTION

FIG. 1 is a perspective view of a lower housing for a filament trimmer according to the present invention; FIG. 2 is a rear elevational view thereof, with the broken line showing of a fragmented handle tube and the filament trimmer head being for illustrative purposes only and forming no part of the claimed design; FIG. 3 is a left side elevational view thereof; FIG. 4 is a right side elevational view thereof; FIG. 5 is a front elevational view thereof; and, FIG. 6 is a top plan view thereof.

The undisclosed bottom plan view is unornamented and not visible during normal use.



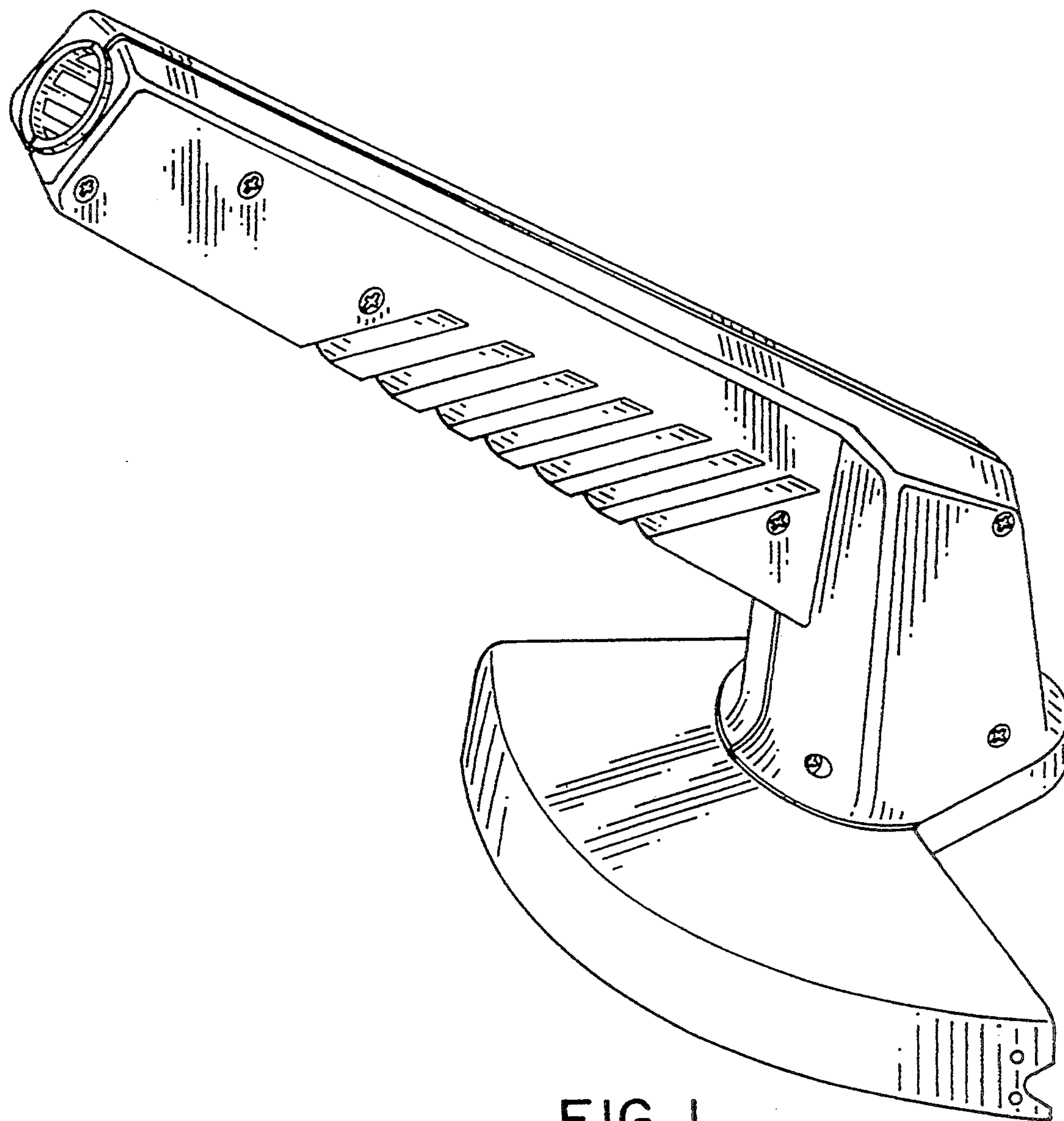


FIG. 1

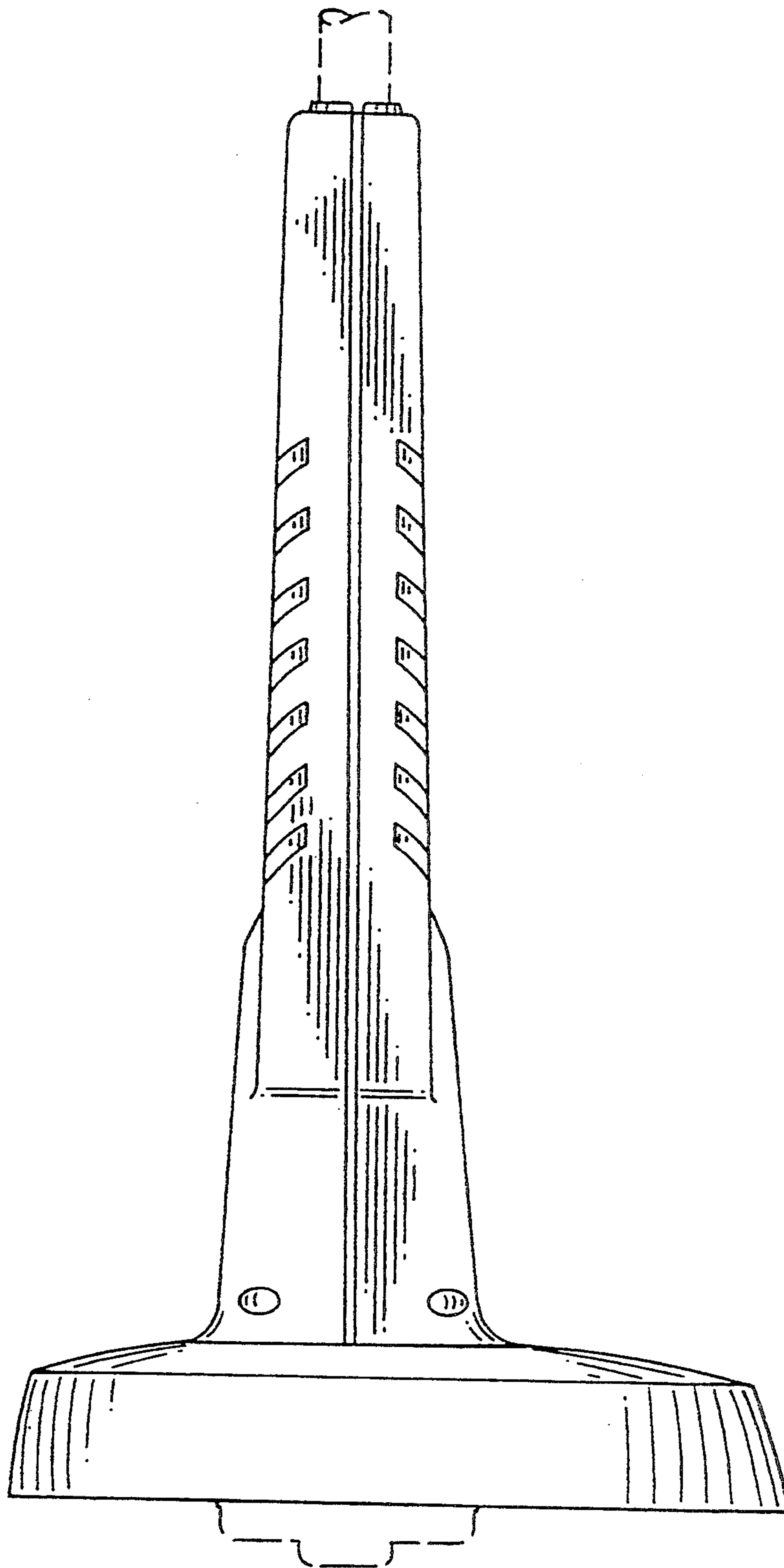


FIG. 2

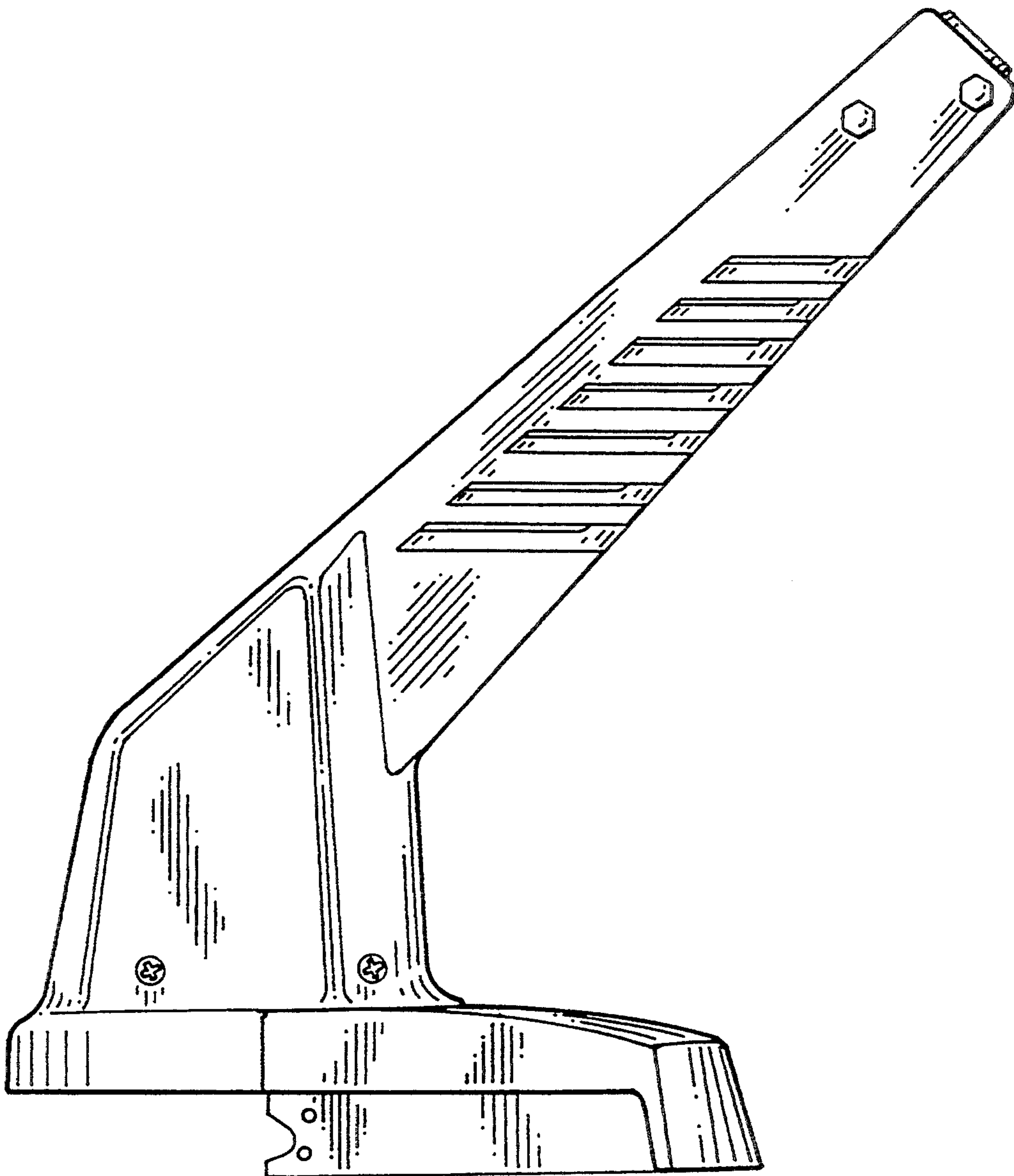


FIG. 3

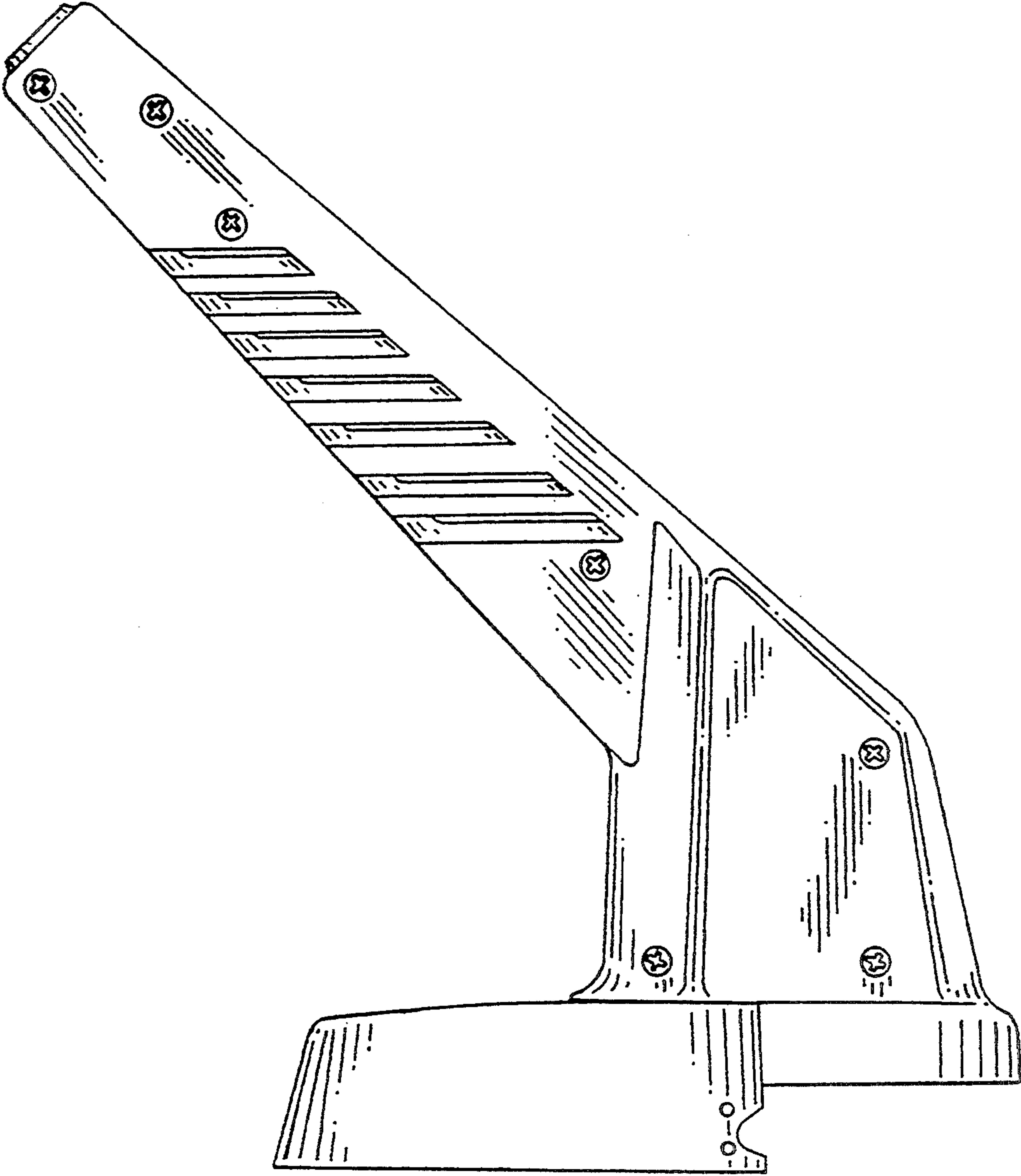


FIG. 4

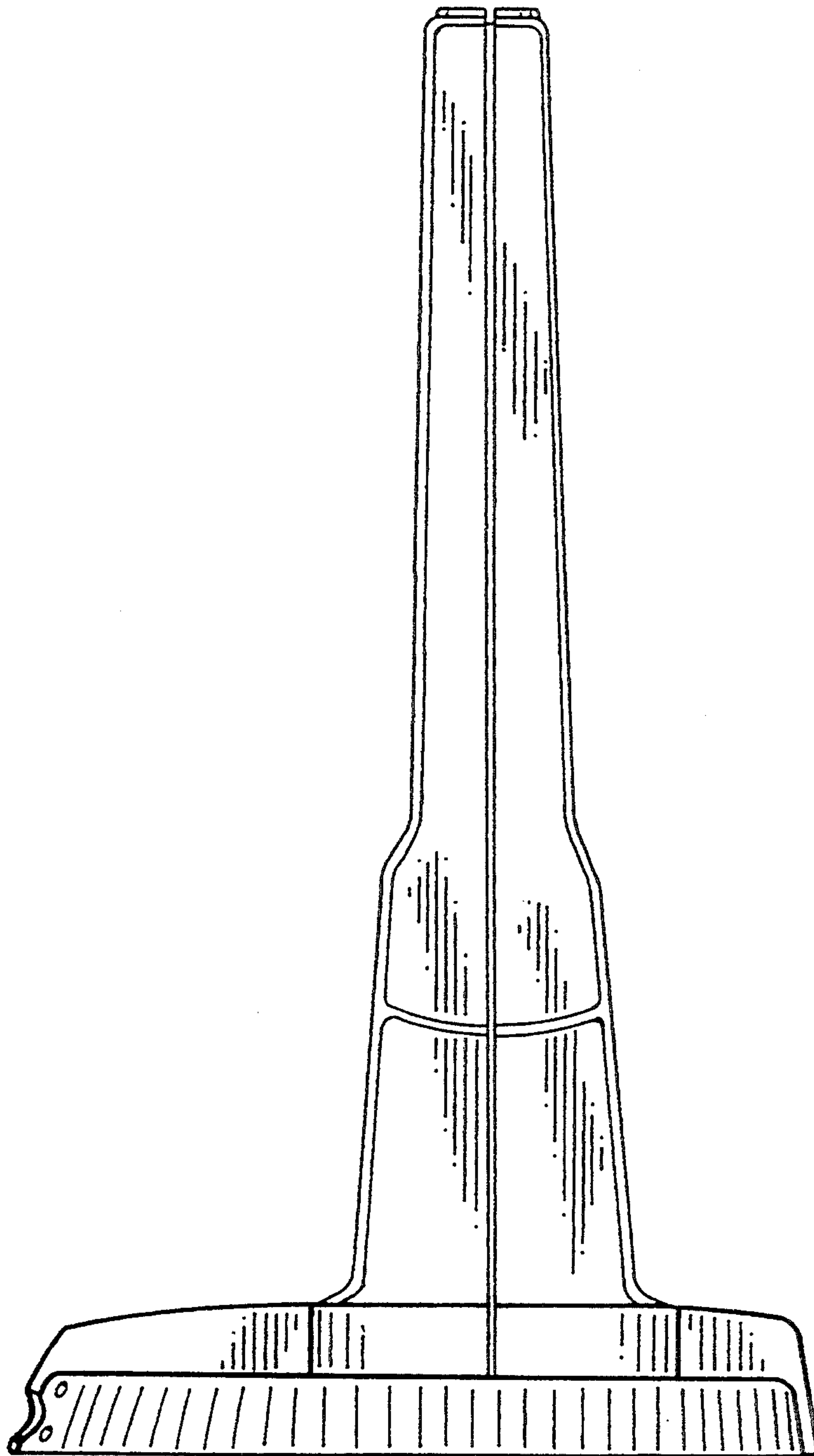


FIG. 5

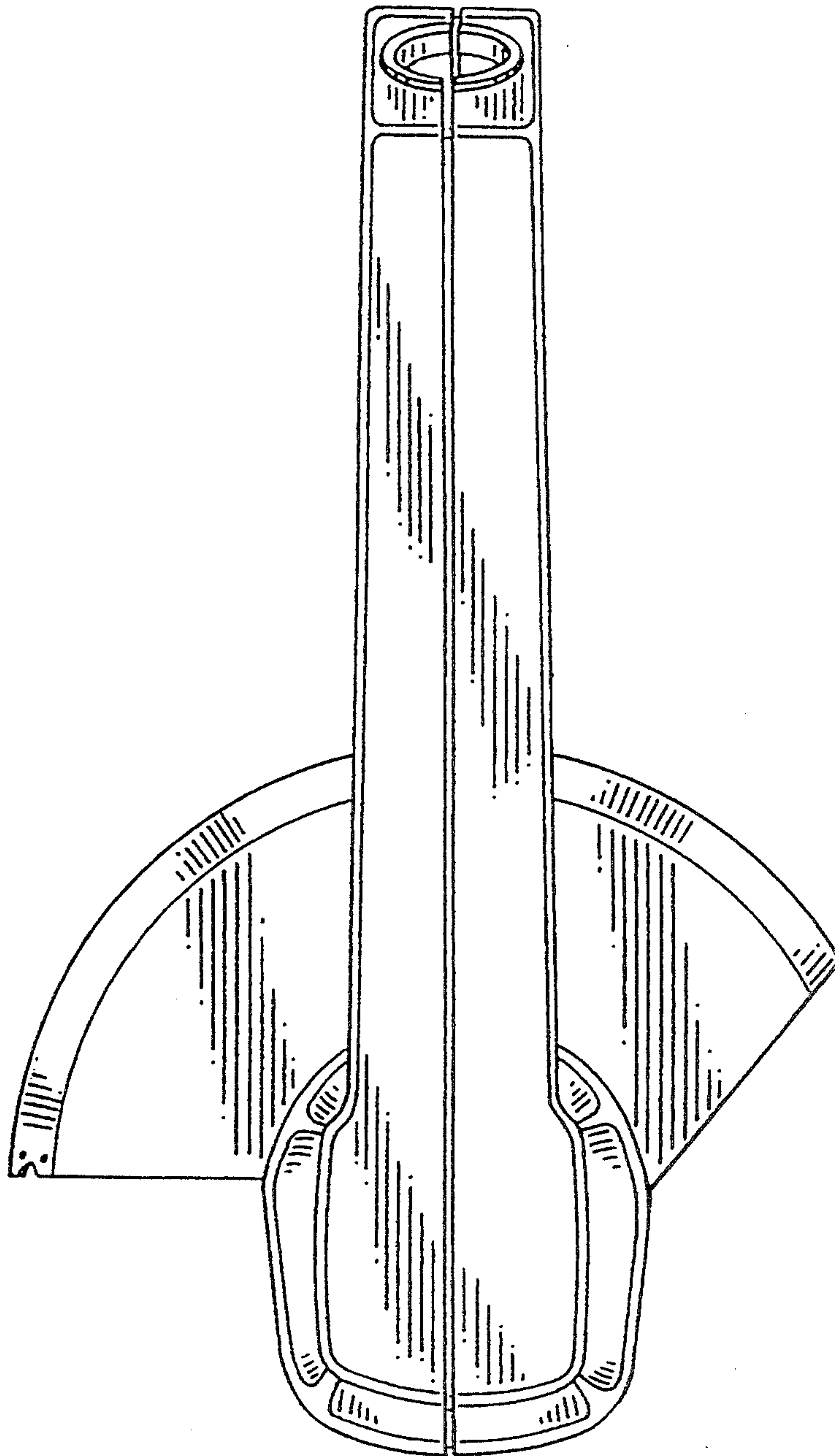


FIG. 6