



US00D361700S

United States Patent [19]

[11] Patent Number: **Des. 361,700**

Birkholz

[45] Date of Patent: **** Aug. 29, 1995**

[54] **TOOL HANDLE**

D. 354,890 1/1995 Concari et al. D8/5

[75] Inventor: **Douglas J. Birkholz, Deforest, Wis.**

Primary Examiner—A. Hugo Word

[73] Assignee: **Fiskars Oy Ab, Helsinki, Finland**

Assistant Examiner—Holly H. Baynham

[**] Term: **14 Years**

Attorney, Agent, or Firm—Foley & Lardner

[21] Appl. No.: **25,409**

[57] **CLAIM**

The ornamental design for tool handle, as shown and described.

[22] Filed: **Jun. 30, 1994**

DESCRIPTION

[52] U.S. Cl. **D8/5**

FIG. 1 is a perspective view of the tool handle showing my new design;

[58] Field of Search D8/4, 5, 57-58,
D8/51-52, 107; 30/261-262, 254; 81/489;
16/110 R

FIG. 2 is a front elevational view with the rear view being a mirror image thereof;

FIG. 3 is a top plan view thereof;

FIG. 4 is a bottom plan view thereof;

FIG. 5 is a left side elevational view thereof;

FIG. 6 is a right side elevational view; and,

The broken line illustration in the drawing disclosure is for illustrative purposes only and forms no part of the claimed design.

[56] **References Cited**

U.S. PATENT DOCUMENTS

D. 299,108 12/1988 Brdnik D8/107

D. 299,410 1/1989 Baroni D8/5 X

D. 309,409 7/1990 Kiernan D8/107 X

D. 323,769 2/1992 Ishida et al. D8/5

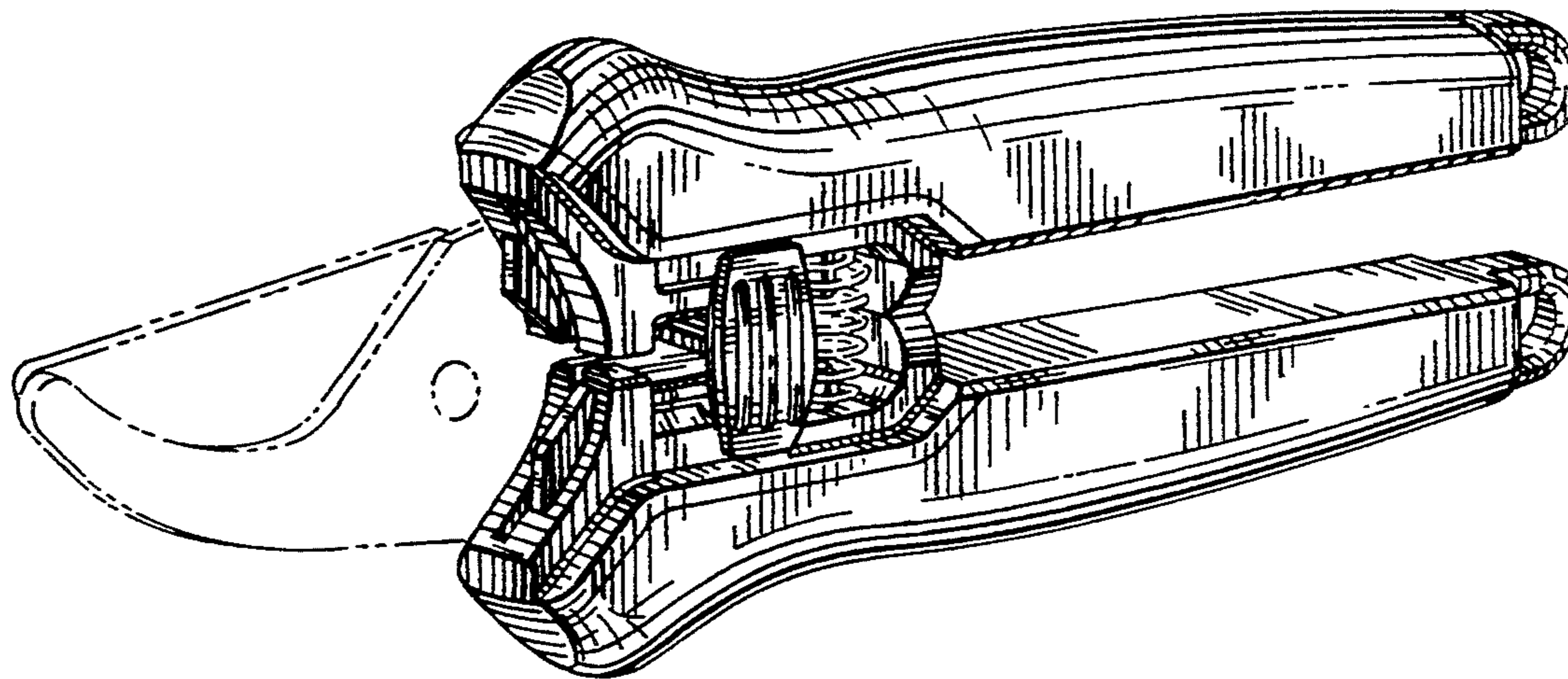


FIG. 1.

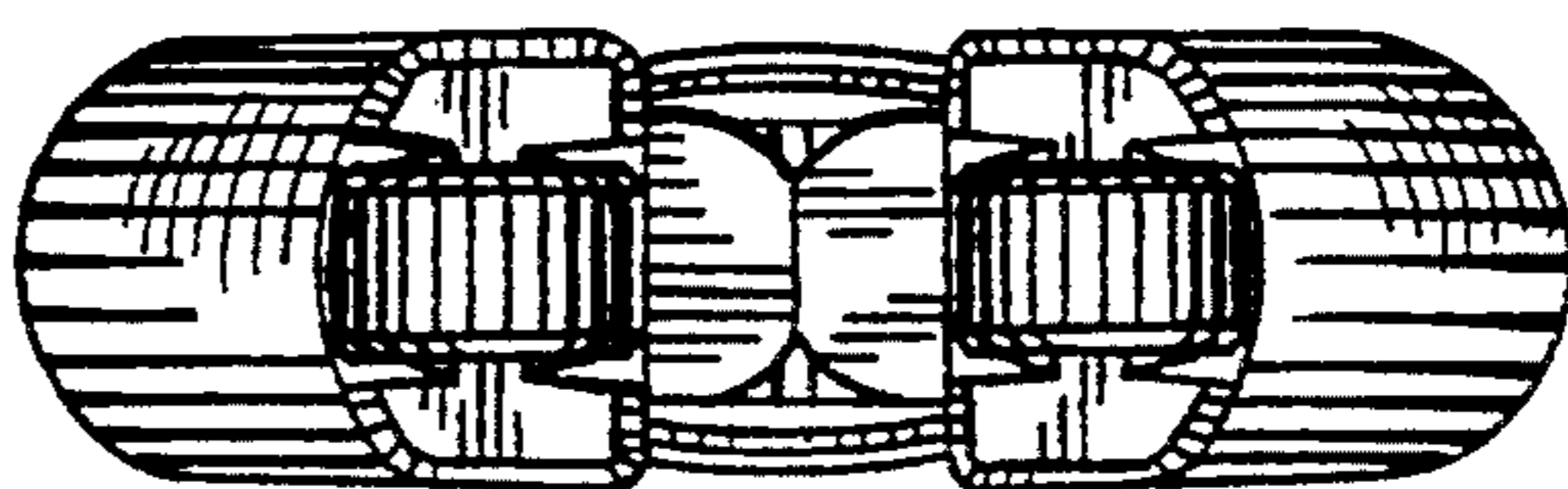
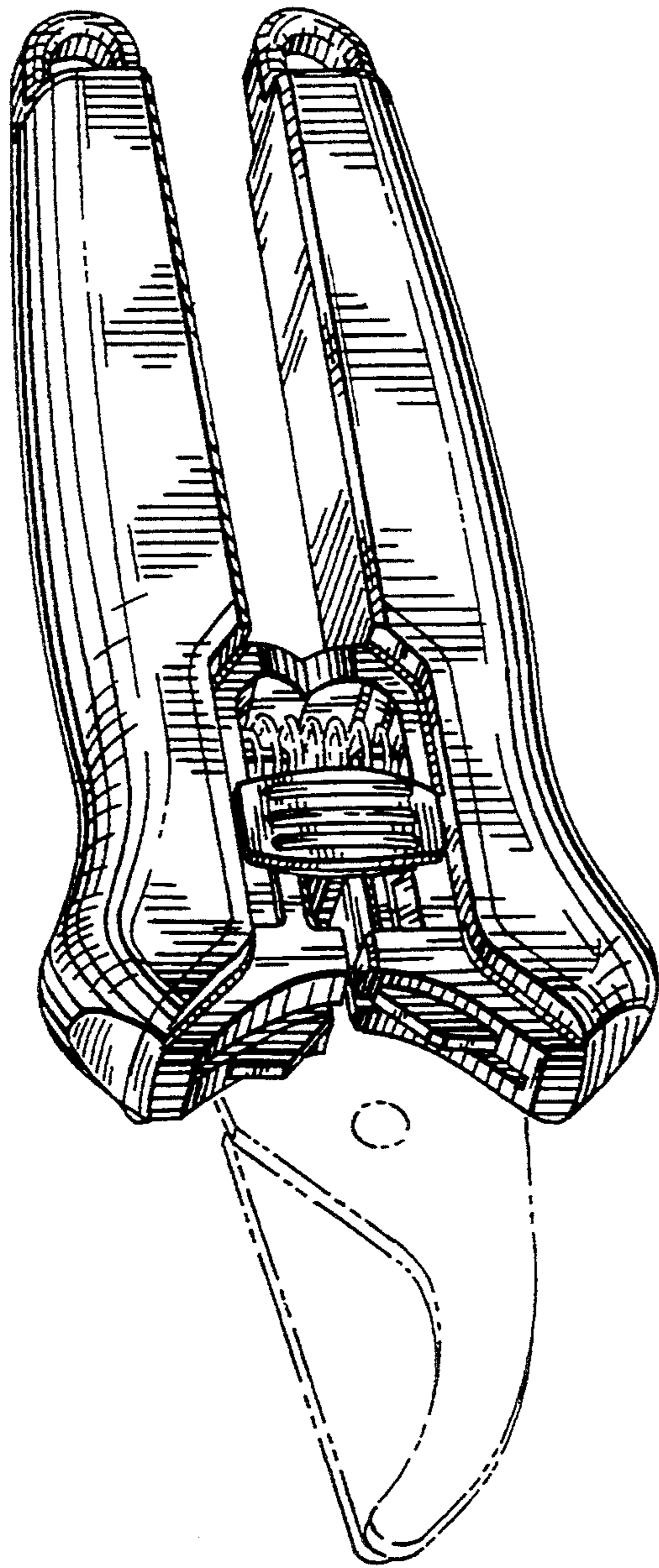


FIG. 6.

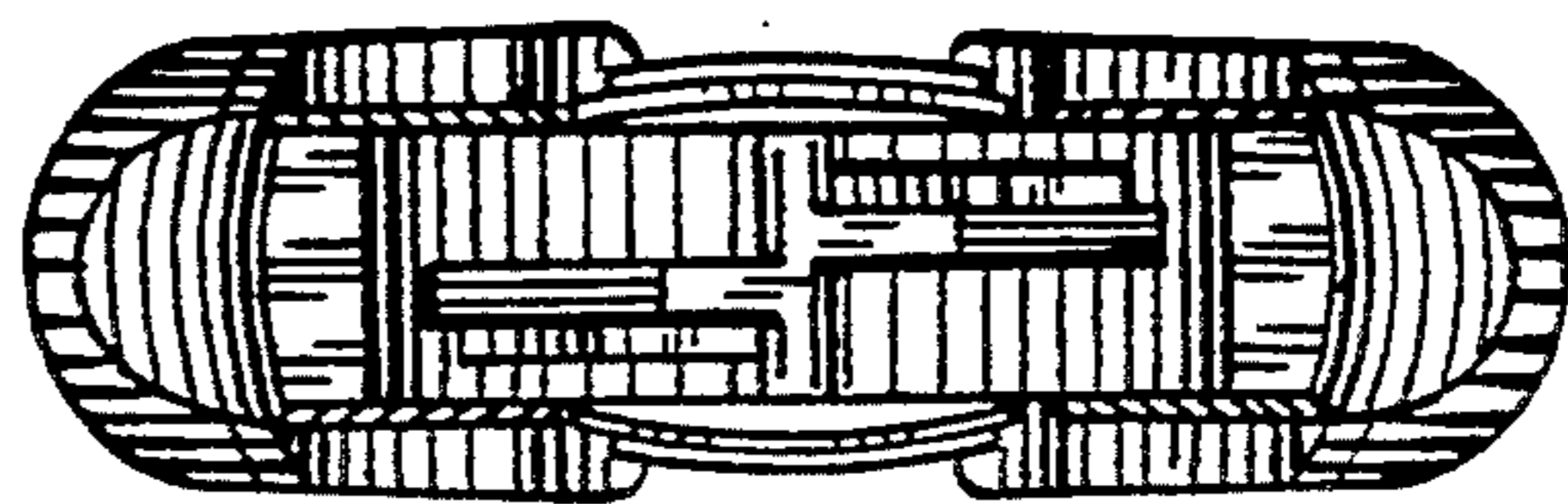


FIG. 5.

FIG. 3.

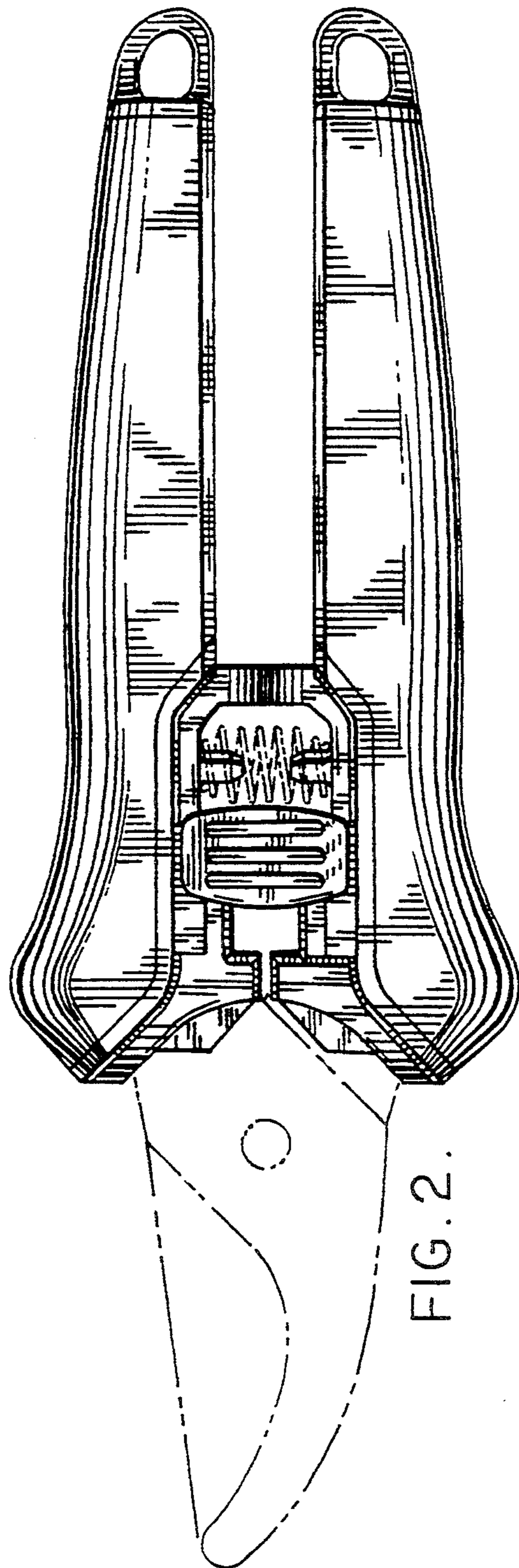
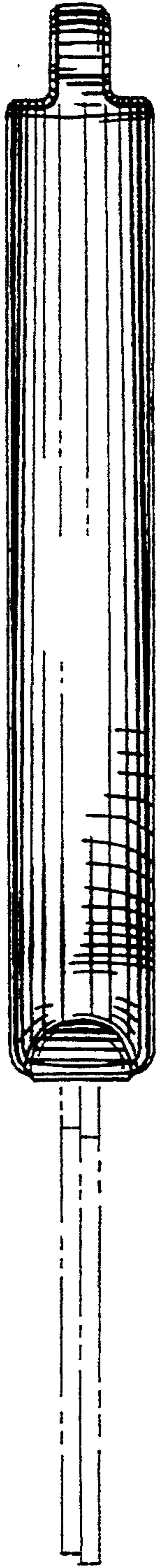


FIG. 2.



FIG. 4.