



US00D361695S

United States Patent [19]

[11] Patent Number: **Des. 361,695**

Sutker

[45] Date of Patent: **** Aug. 29, 1995**

[54] KITCHEN UTENSIL HANDLE

- [75] Inventor: **Martin Sutker**, Cooper City, Fla.
- [73] Assignee: **Atico International, Inc.**, Miami, Fla.
- [**] Term: **14 Years**
- [21] Appl. No.: **23,702**
- [22] Filed: **May 31, 1994**
- [52] U.S. Cl. **D7/401.2; D8/303**
- [58] Field of Search **D7/393-395, D7/401.2, 682-696; D8/300, 303; 16/111 R, 114 R, 114 A, 116 R, DIG. 12**

[56] References Cited

U.S. PATENT DOCUMENTS

- D. 258,861 4/1981 Bratton et al. D8/303 X
- D. 323,095 1/1992 Usbeck D7/395
- 4,825,552 5/1989 Bendickson et al. 16/DIG. 12 X

OTHER PUBLICATIONS

American Bicyclist & Motorcyclist, Oct. 1958, p. 18, handle grip #8.

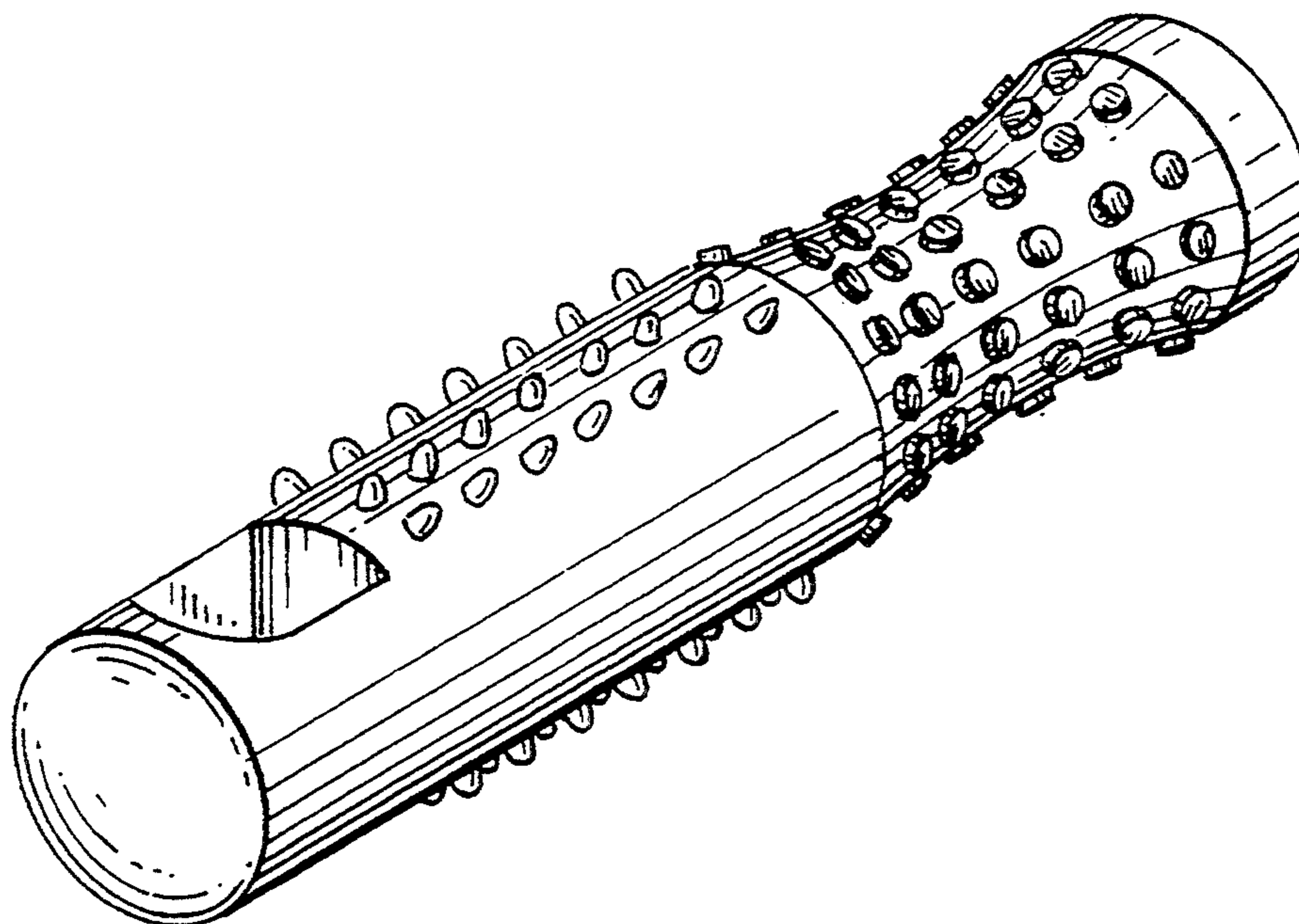
Primary Examiner—Terry A. Wallace
Attorney, Agent, or Firm—Cobrin Gittes & Samuel

[57] CLAIM

The ornamental design for a kitchen utensil handle, as shown and described.

DESCRIPTION

FIG. 1 is a perspective view of a kitchen utensil handle showing my new design;
 FIG. 2 is a front elevation view thereof, the opposite side being identical;
 FIG. 3 is a top plan view thereof, the opposite side being identical;
 FIG. 4 is a left side elevation view thereof; and,
 FIG. 5 is a right side elevation view thereof.



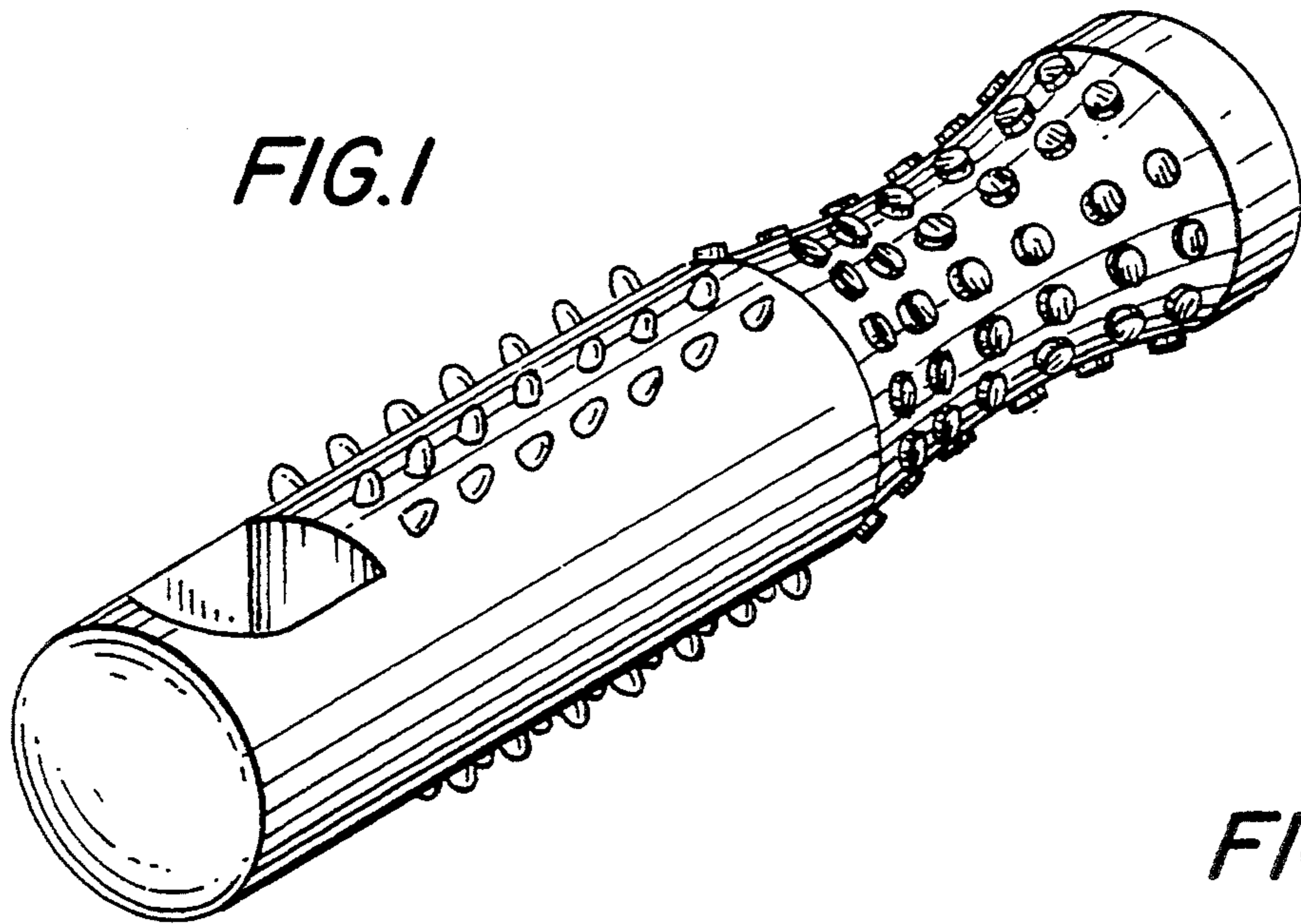


FIG. 2

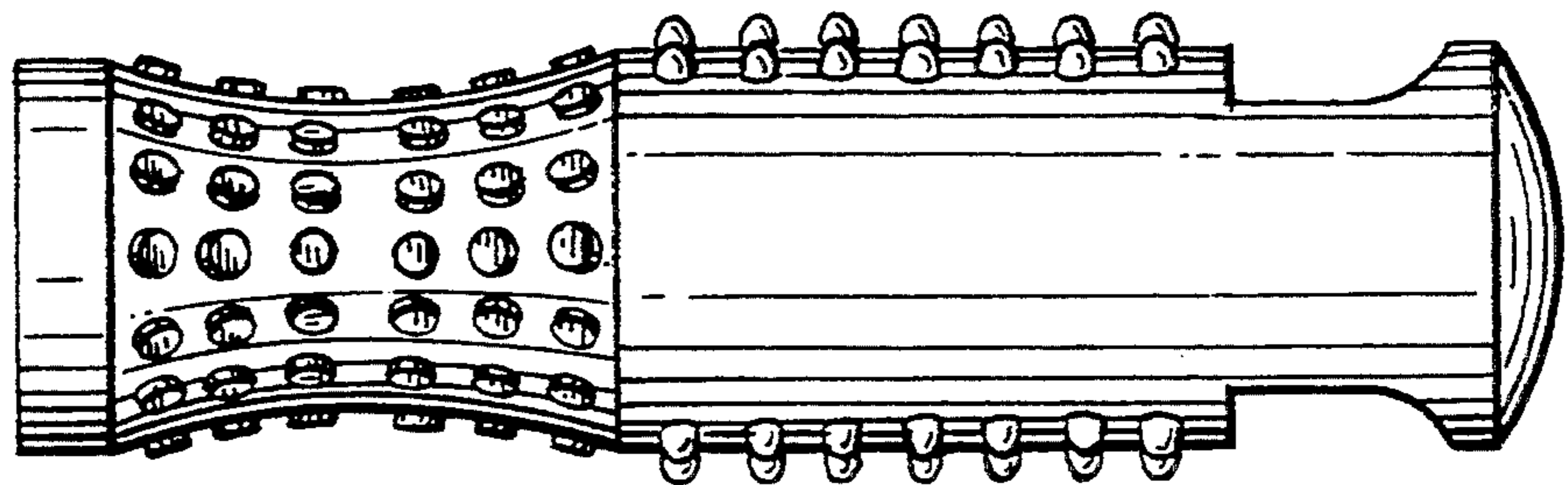


FIG. 3

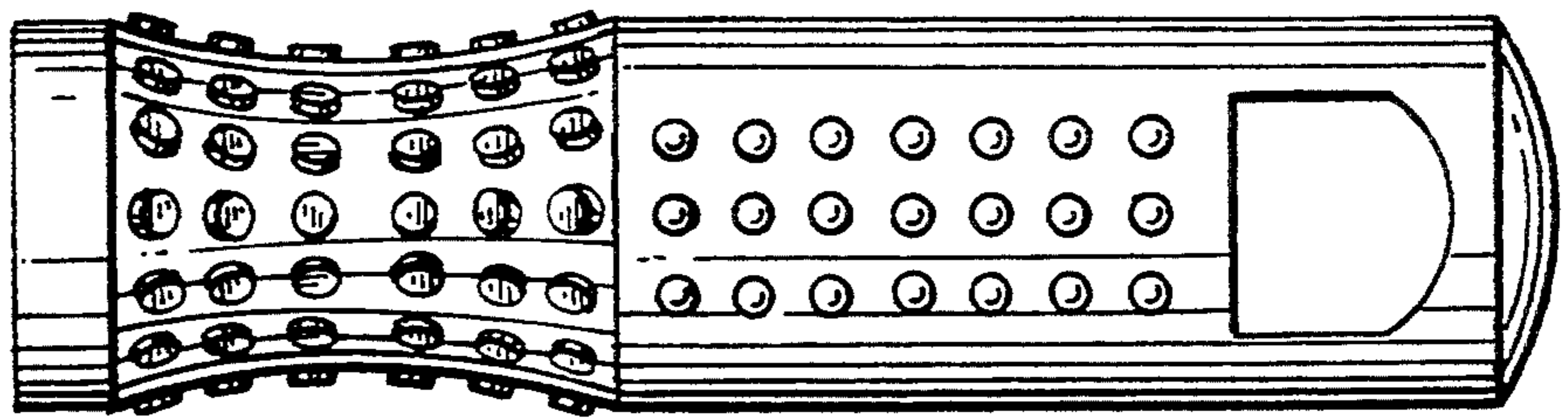


FIG. 4

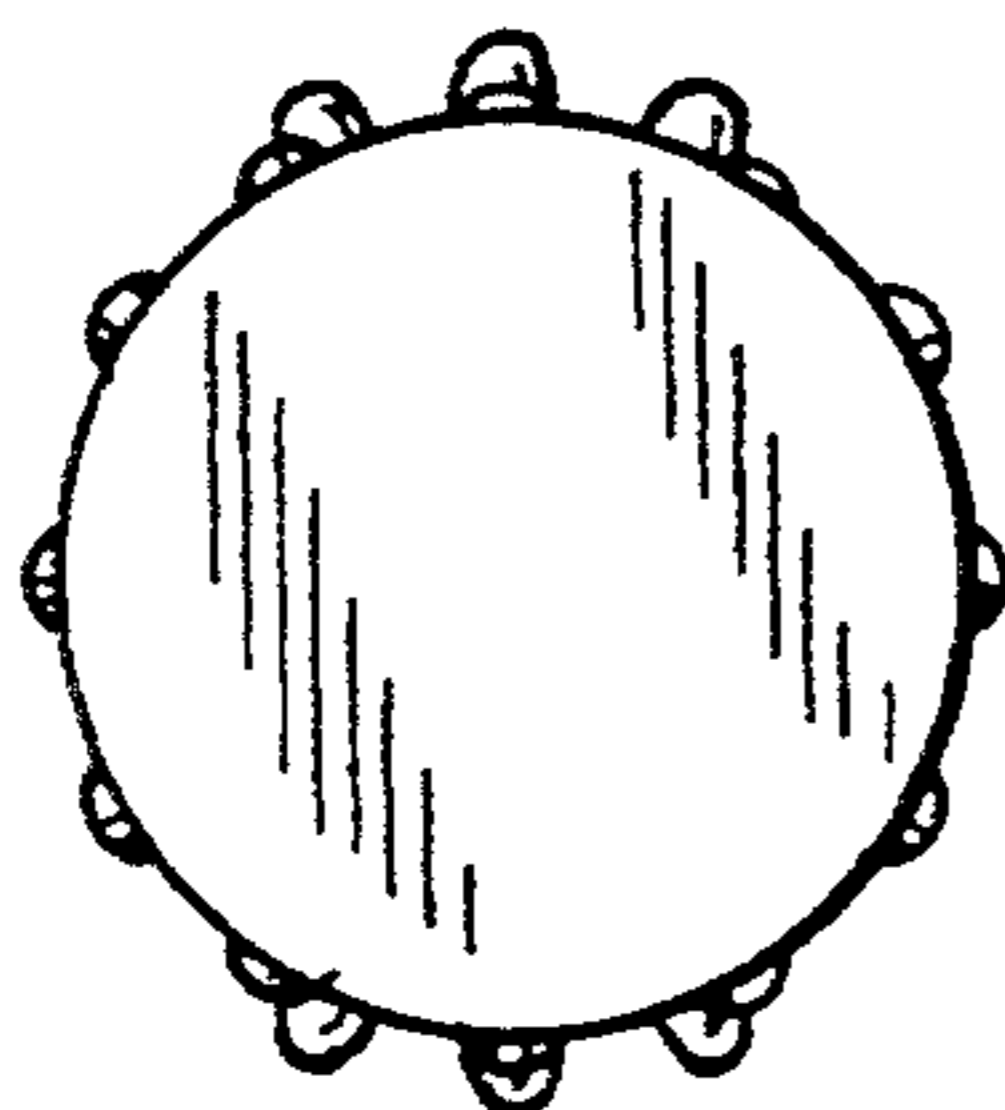


FIG. 5

