



US00D361693S

United States Patent [19]

[11] Patent Number: **Des. 361,693**

Burke

[45] Date of Patent: **** Aug. 29, 1995**

[54] **FOOD GRILL**

2,983,269	5/1961	Montesano	126/25 R
3,395,691	8/1968	Skarsten	126/25 R
3,581,731	6/1971	Schulze	126/25 R
3,933,144	1/1976	Bandy	126/25 R

[75] Inventor: **Terrence M. Burke**, Pollock Pines, Calif.

[73] Assignee: **TSD Industries, Inc.**, Placerville, Calif.

Primary Examiner—Ruth McInroy
Attorney, Agent, or Firm—John P. O'Banion

[**] Term: **14 Years**

[57] **CLAIM**

[21] Appl. No.: **23,956**

The ornamental design for a food grill, as shown and described.

[22] Filed: **Jun. 3, 1994**

[52] U.S. Cl. **D7/337; D7/332**

[58] Field of Search **D7/332, 334-337, D7/338, 339, 402, 403; 126/25 R, 25 A, 25 AA, 29-30, 9 R, 9 B; 38, 39 B, 39 E, 39 H, 40; 99/450, 449**

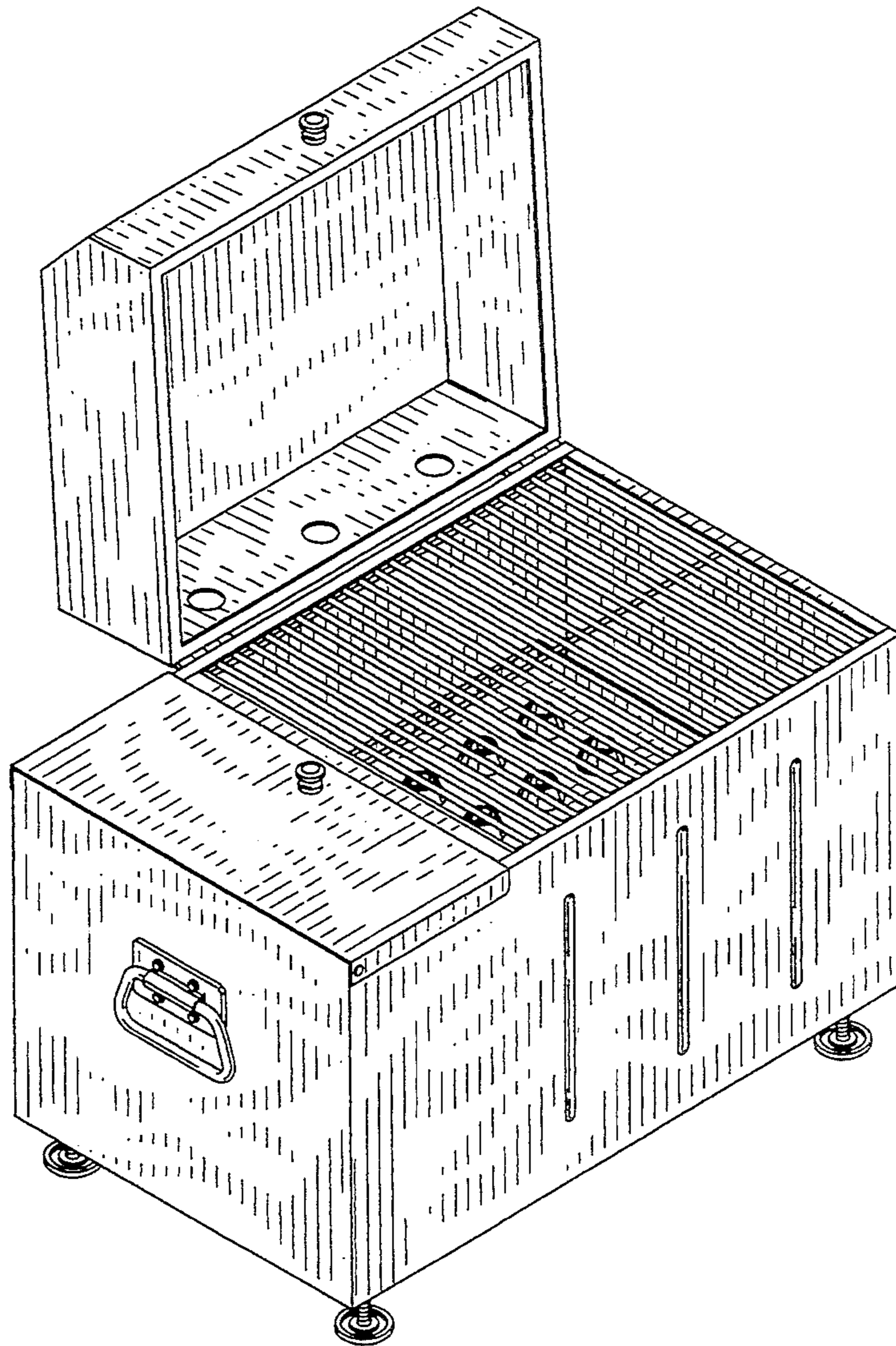
DESCRIPTION

FIG. 1 is a top, front and left side perspective view of a food grill showing my new design;
FIG. 2 is a front elevational view thereof;
FIG. 3 is a rear elevational view thereof;
FIG. 4 is a right side elevational view thereof;
FIG. 5 is a left side elevational view thereof;
FIG. 6 is a top plan view thereof; and,
FIG. 7 is a bottom plan view thereof.

[56] References Cited

U.S. PATENT DOCUMENTS

2,923,229 2/1960 Halford 126/25 R



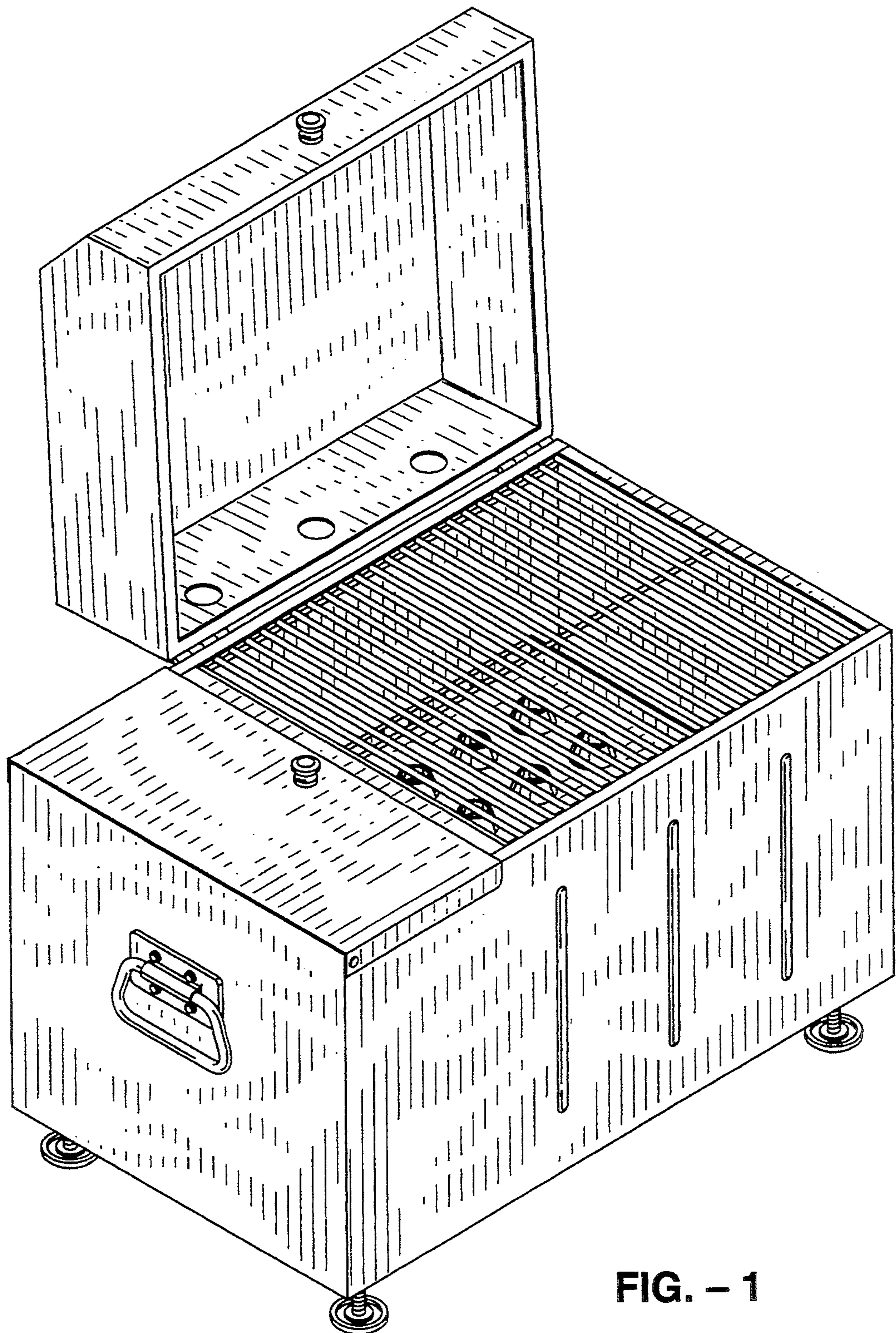


FIG. - 1

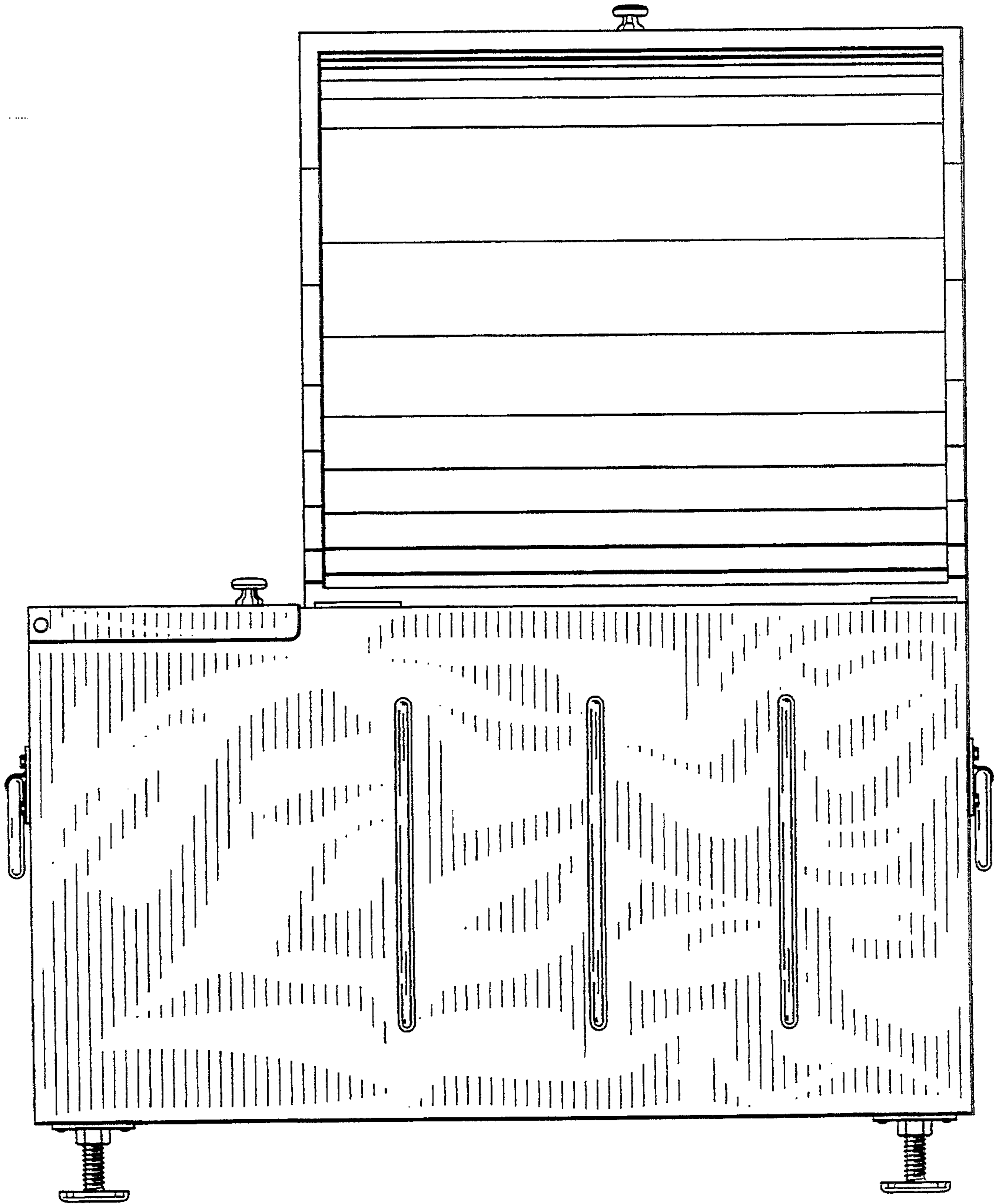


FIG. - 2

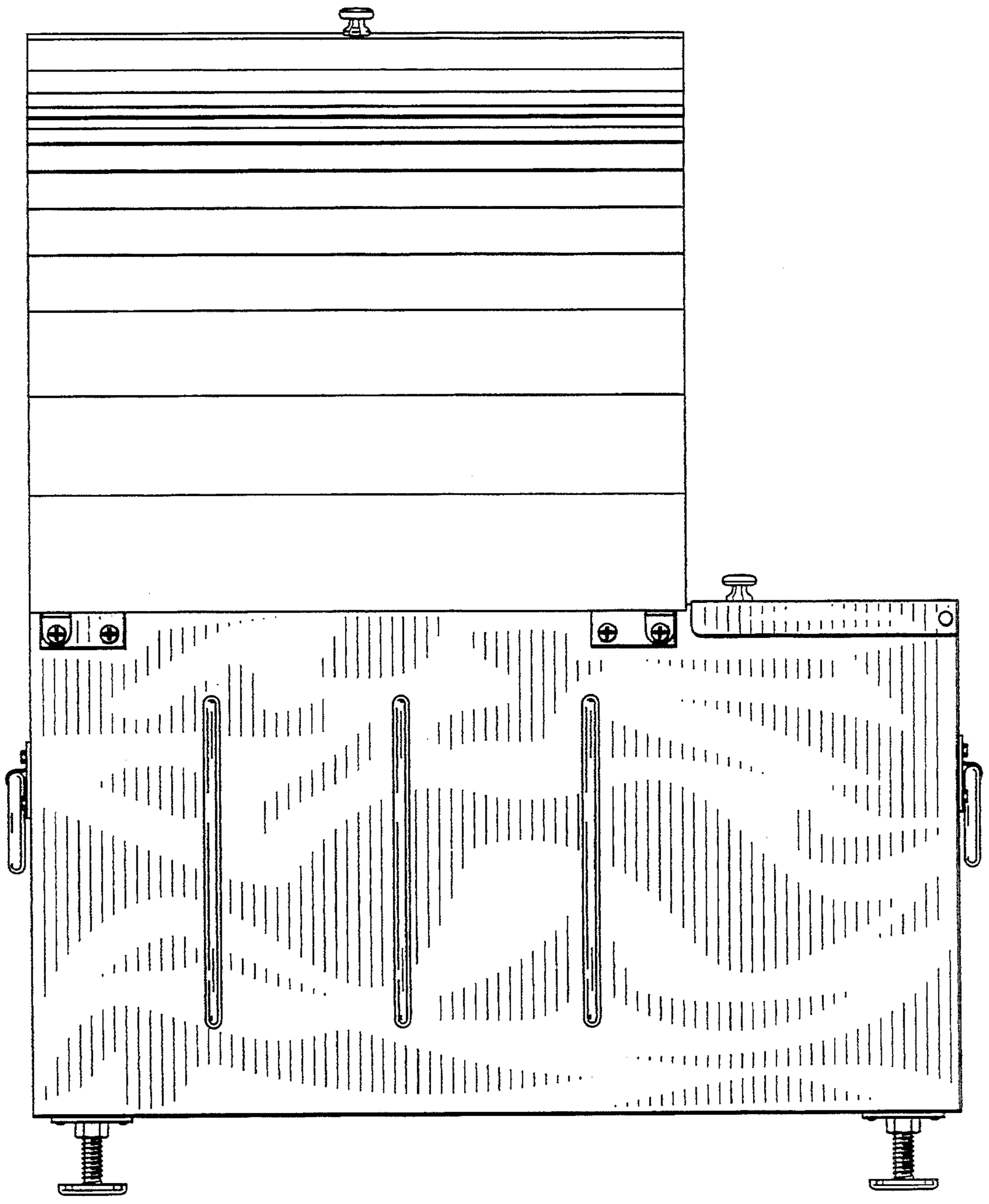


FIG. - 3

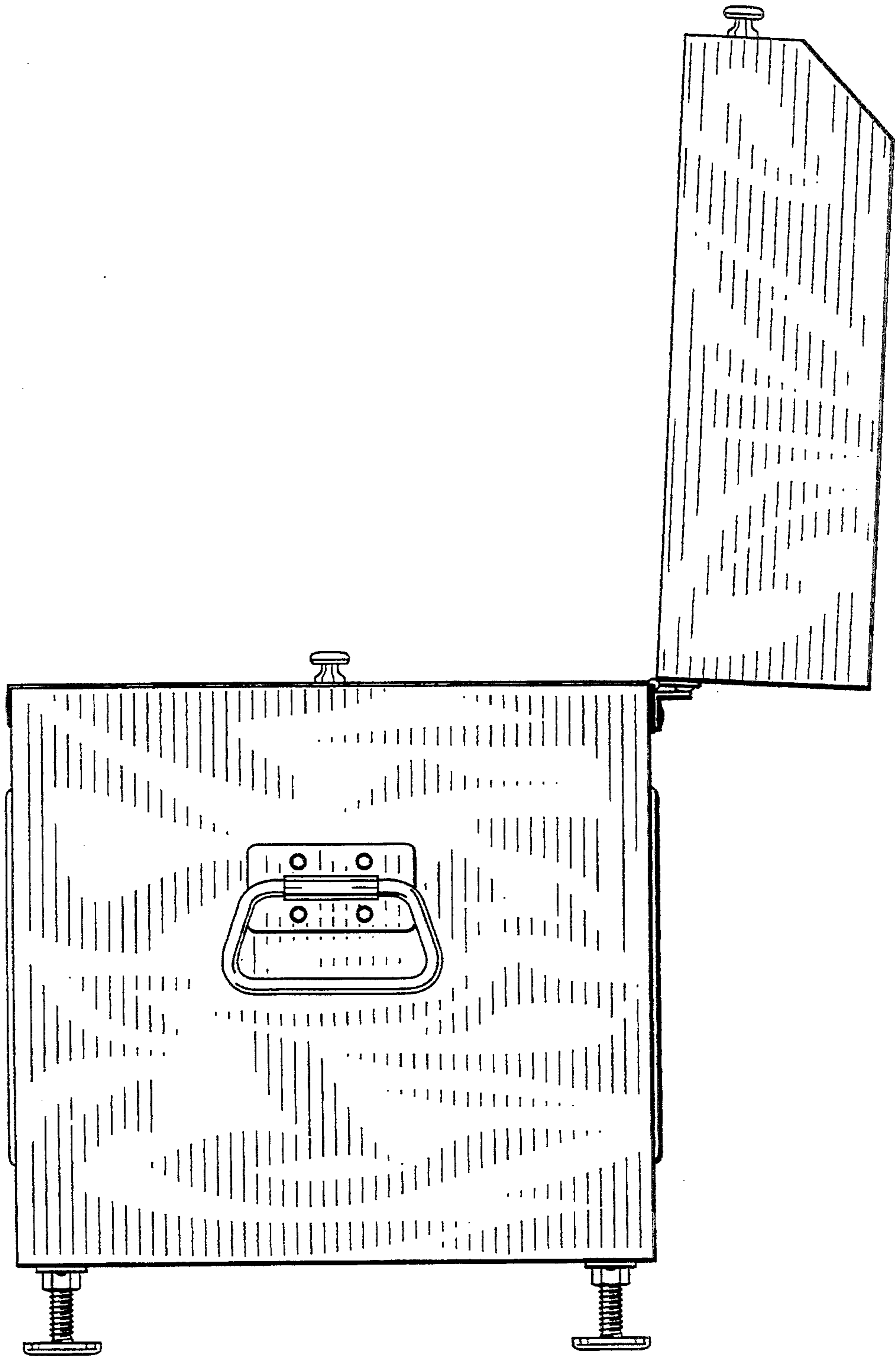


FIG. - 4

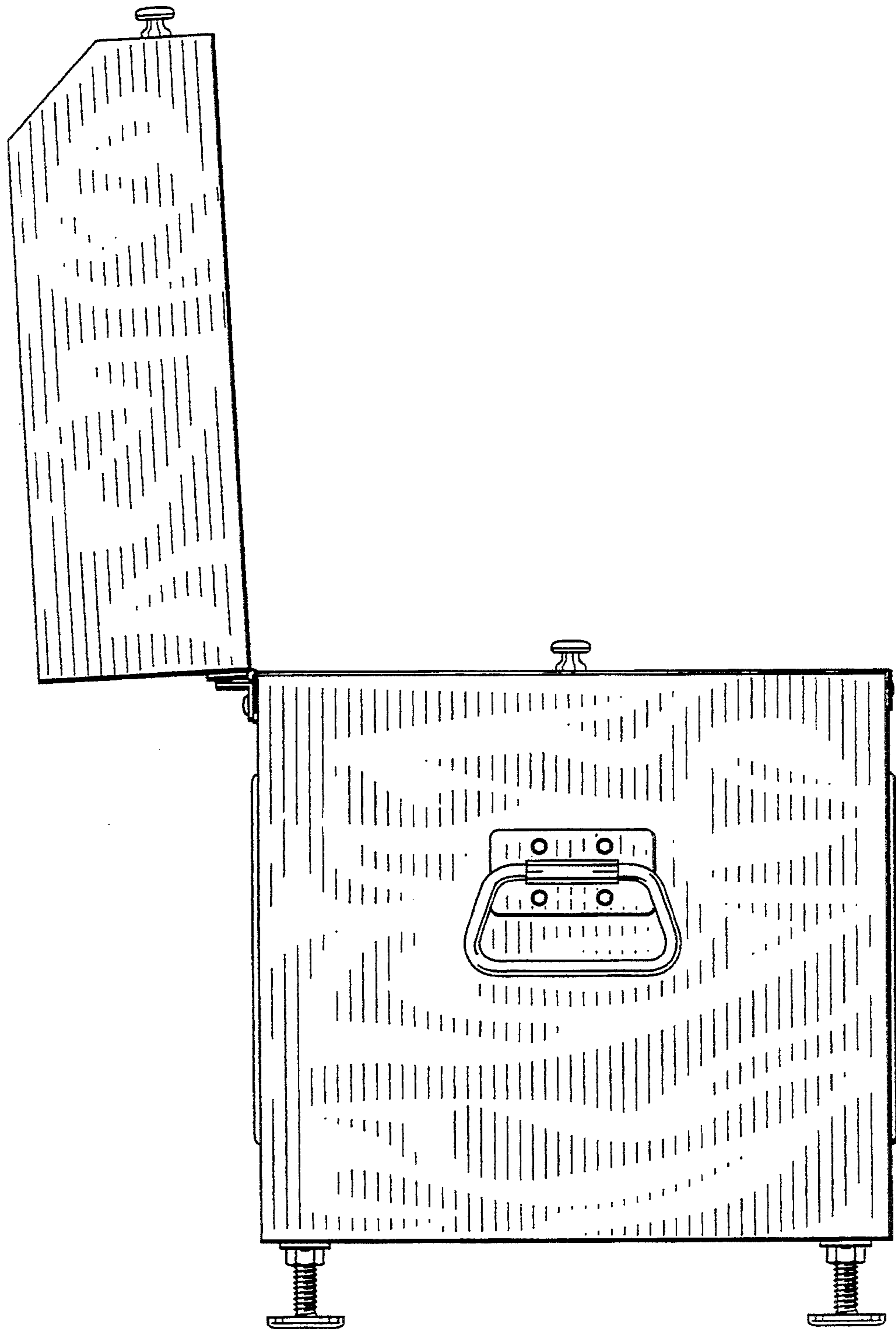


FIG. - 5

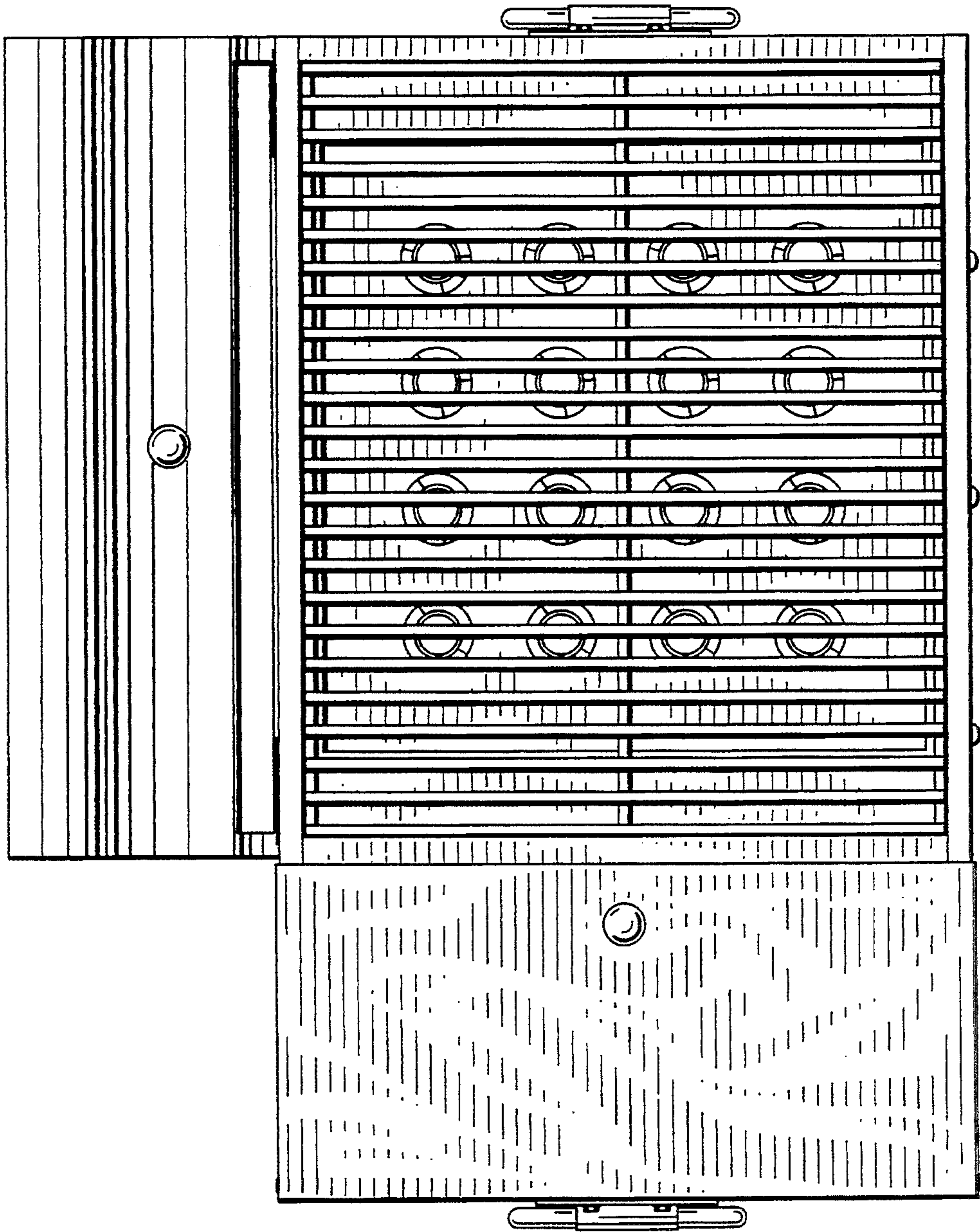


FIG. - 6

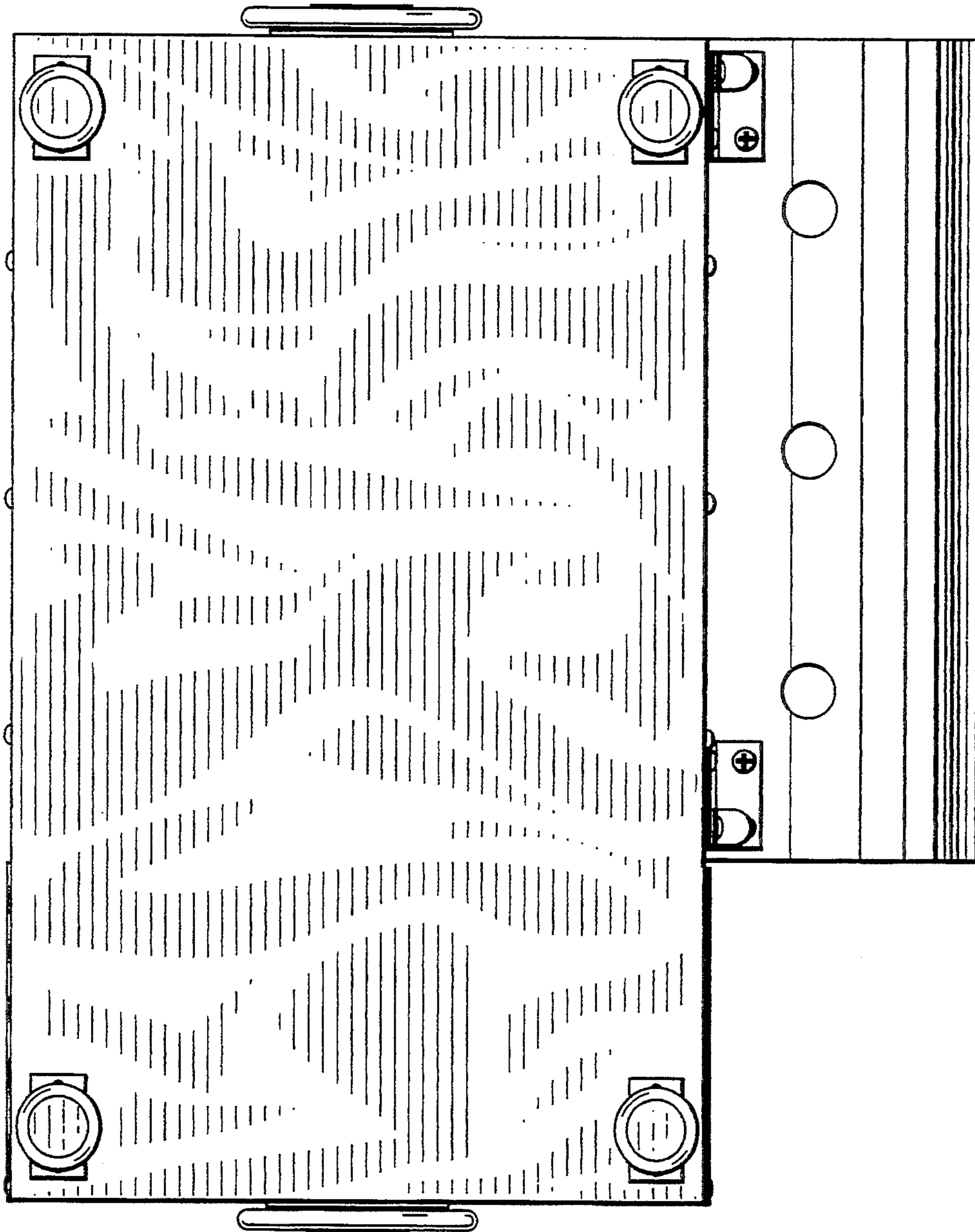


FIG. - 7