



US00D361692S

United States Patent [19]

[11] Patent Number: **Des. 361,692**

Lee

[45] Date of Patent: **** Aug. 29, 1995**

[54] **KETTLE**

D. 322,734 12/1991 Solomon D7/322
D. 352,419 11/1994 Lin D7/322

[76] Inventor: **Chen-Kun Lee**, No. 1, Lane 111, Sec. 3, Chung San Rd., Tan Tzu Hsiang, Taichung Hsien, Taiwan

OTHER PUBLICATIONS

Copco's Teapot, *Bloomington* Oct. 1982 (bottom right).
Teapot (top), *Better Homes and Gardens* p. 208 Apr. 1948.

[**] Term: **14 Years**

Primary Examiner—Alan P. Douglas
Assistant Examiner—M. N. Pandozzi
Attorney, Agent, or Firm—Rogers, Howell & Haferkamp

[21] Appl. No.: **20,651**

[22] Filed: **Mar. 30, 1994**

[52] U.S. Cl. **D7/322; D7/321**

[58] Field of Search **D7/322, 321, 320, 312, D7/301, 302, 303, 316, 317, 318, 319**

[57] CLAIM

The ornamental design for a kettle, as shown and described.

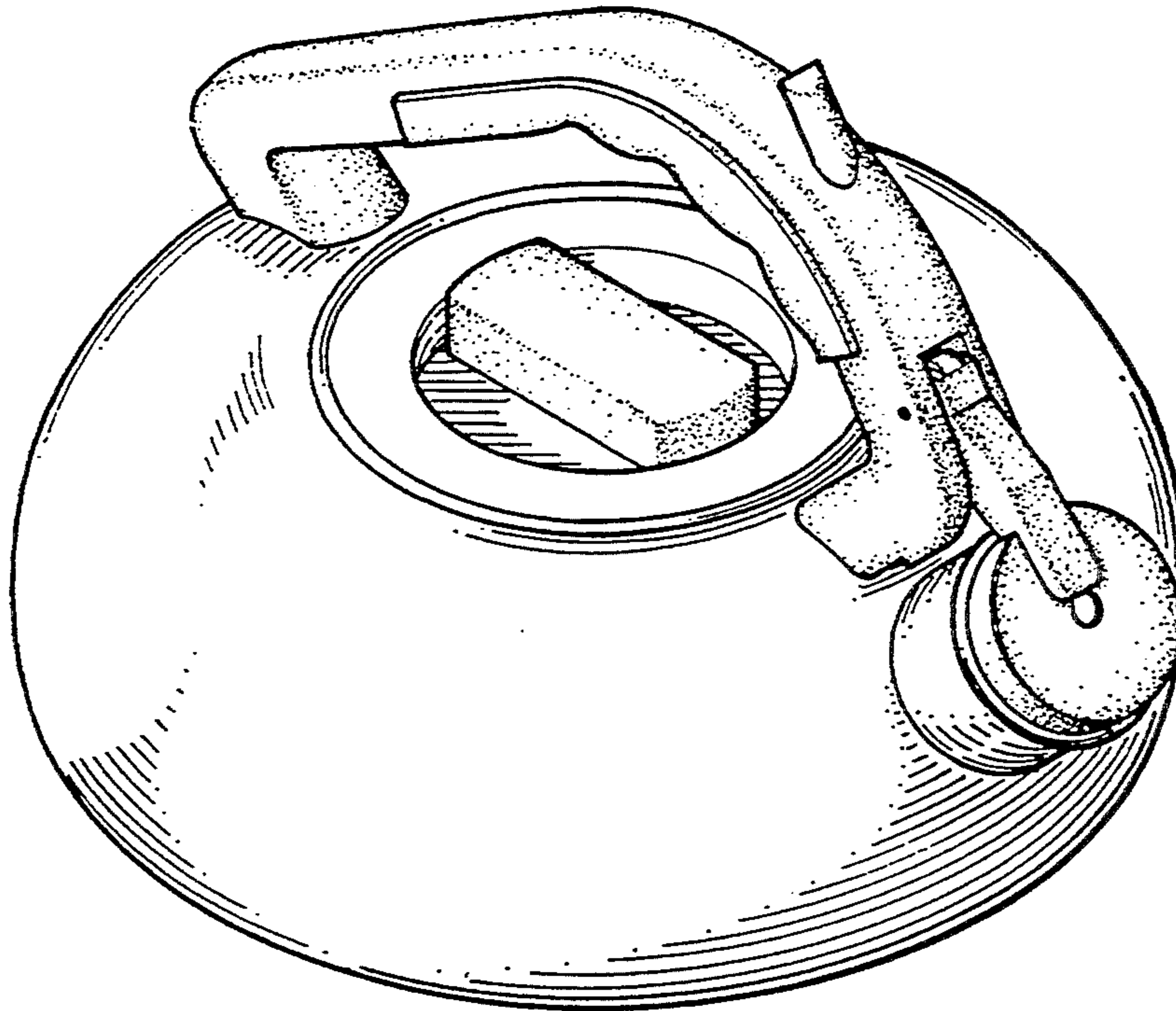
[56] References Cited

U.S. PATENT DOCUMENTS

D. 95,354	4/1935	Kircher	D7/322
D. 115,928	8/1939	Kircher	D7/322
D. 153,816	5/1949	Mortrude	D7/321
D. 159,307	7/1950	Welden	D7/322
D. 164,413	9/1951	Finch	D7/322
D. 191,005	8/1961	Jepson	D7/322
D. 237,570	11/1975	Lax	D7/322
D. 277,253	1/1985	Lax	D7/320
D. 282,810	3/1986	Urich	D7/322

DESCRIPTION

FIG. 1 is a front-left-top perspective view of a kettle, showing my new design;
FIG. 2 is a front elevational view thereof;
FIG. 3 is a rear elevational view thereof;
FIG. 4 is a left elevational view thereof, the opposite side being a mirror image;
FIG. 5 is a top plan view thereof; and,
FIG. 6 is a bottom plan view thereof.



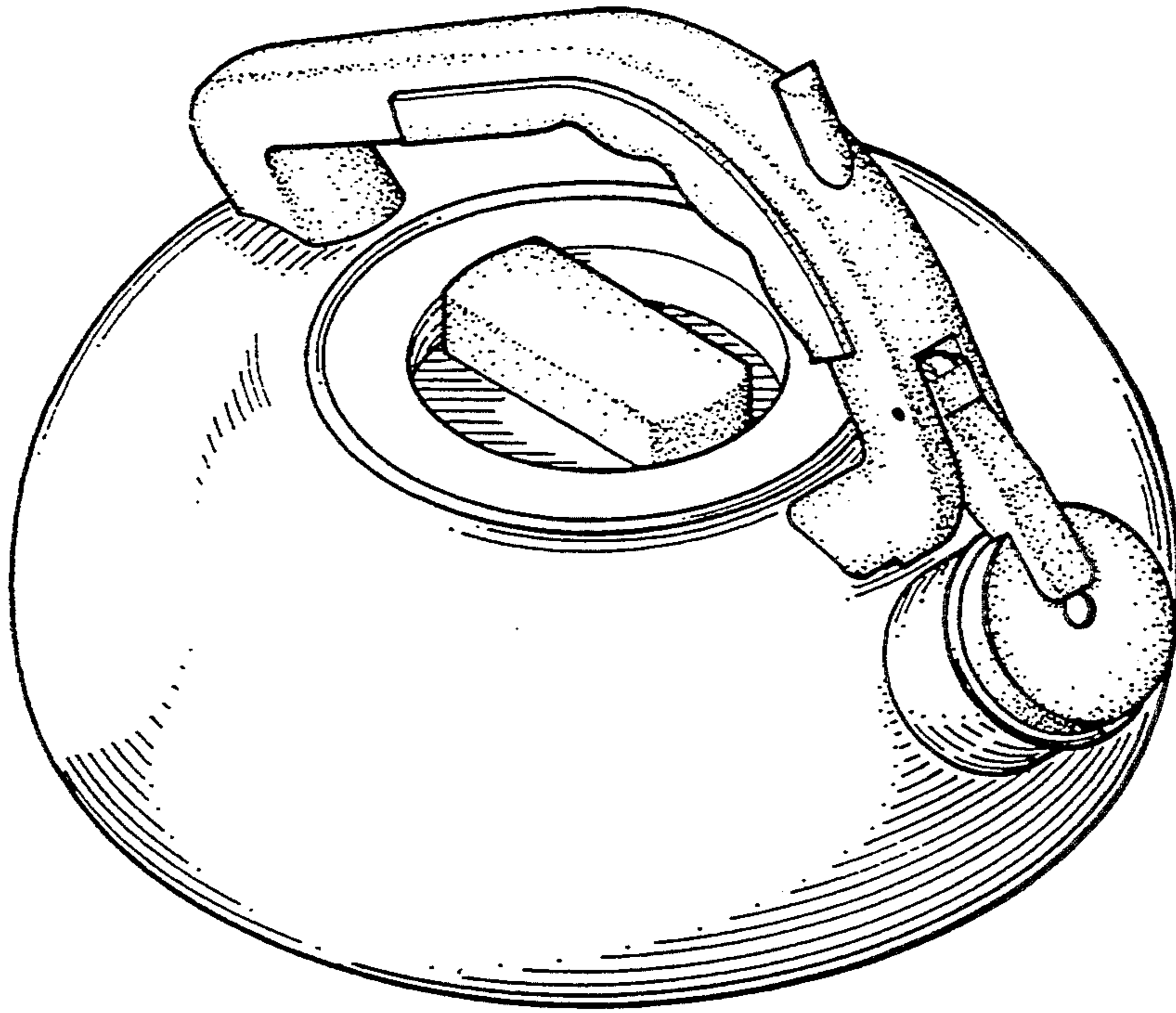


FIG. 1

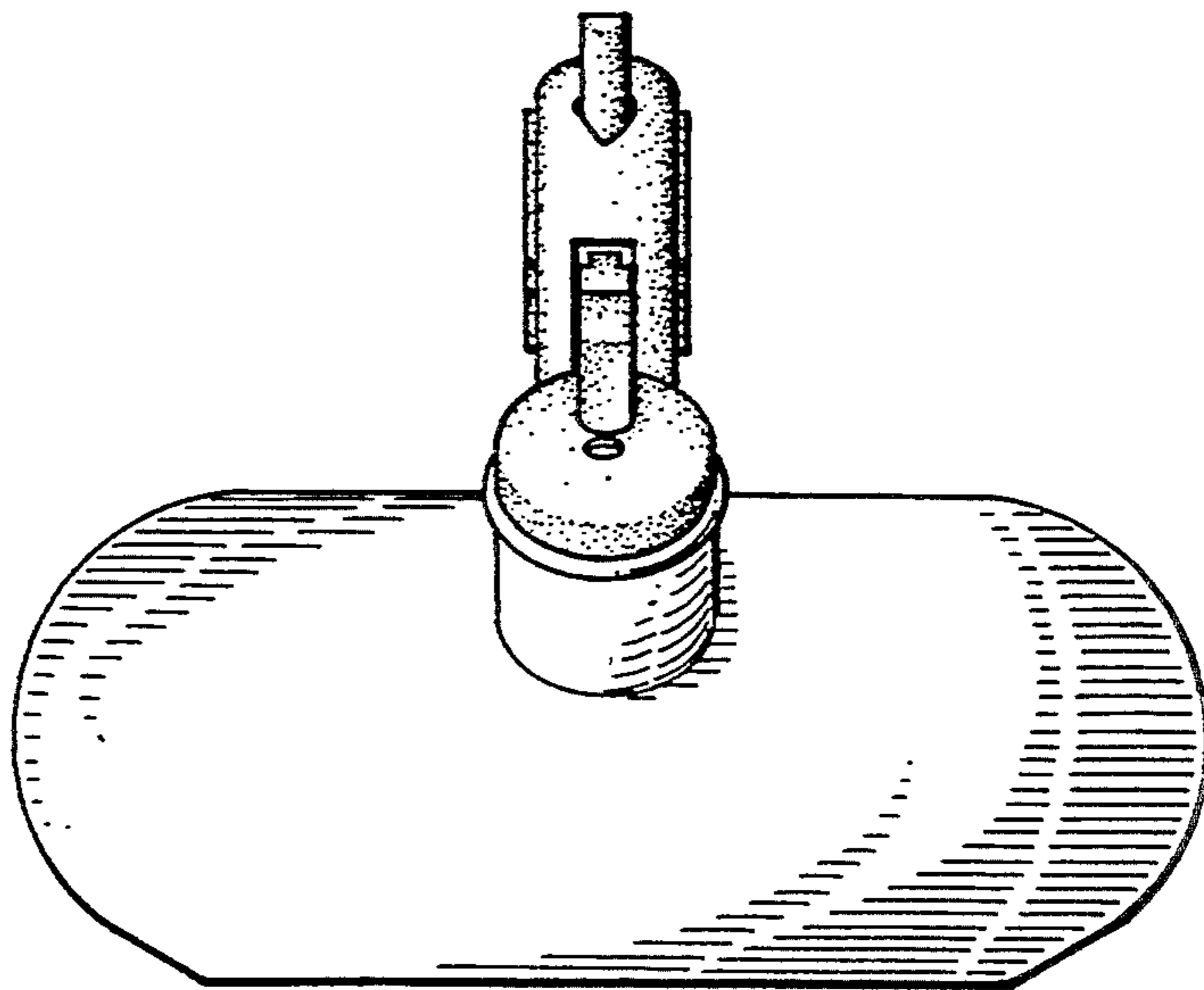


FIG. 2

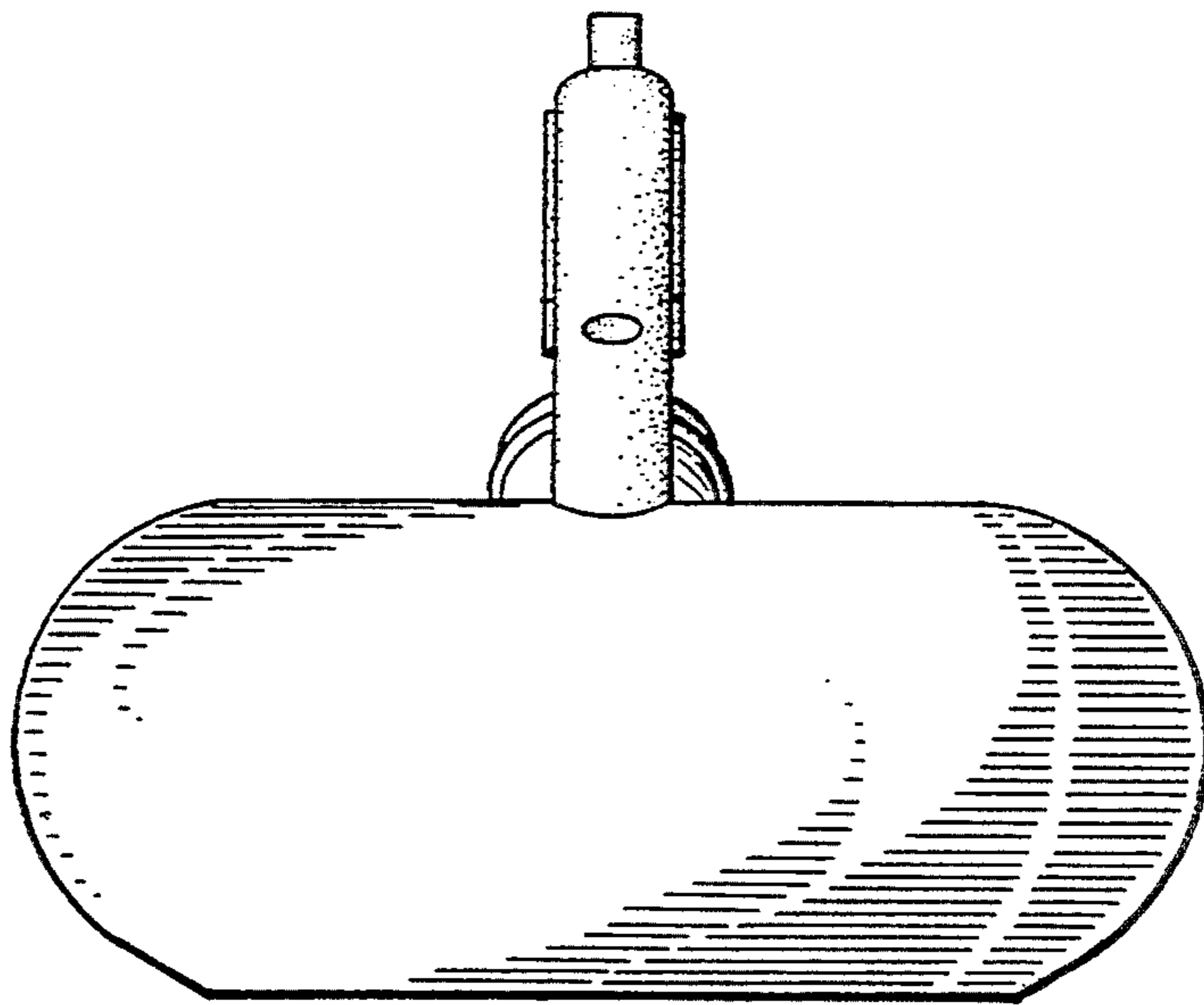


FIG. 3

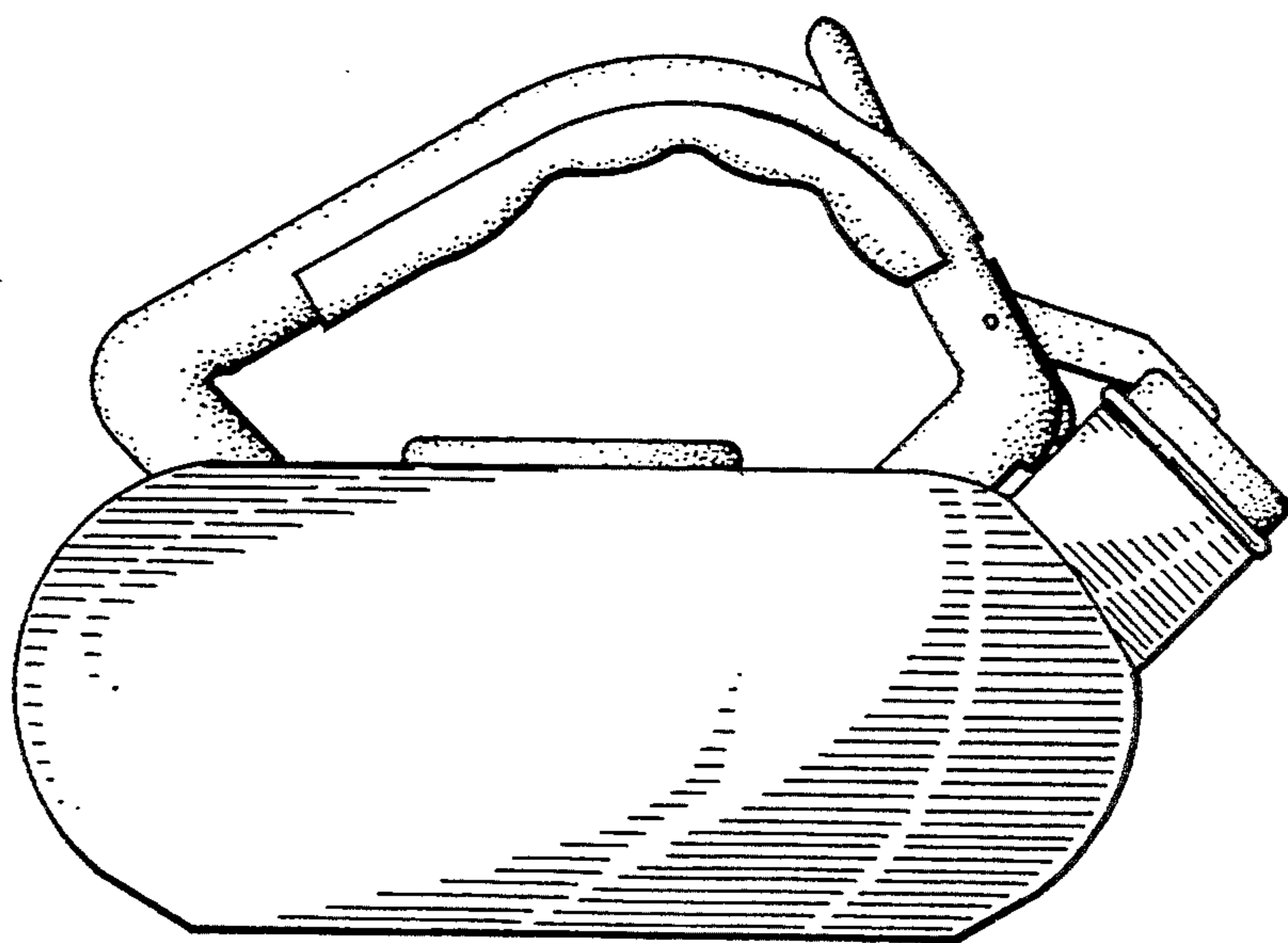


FIG. 4

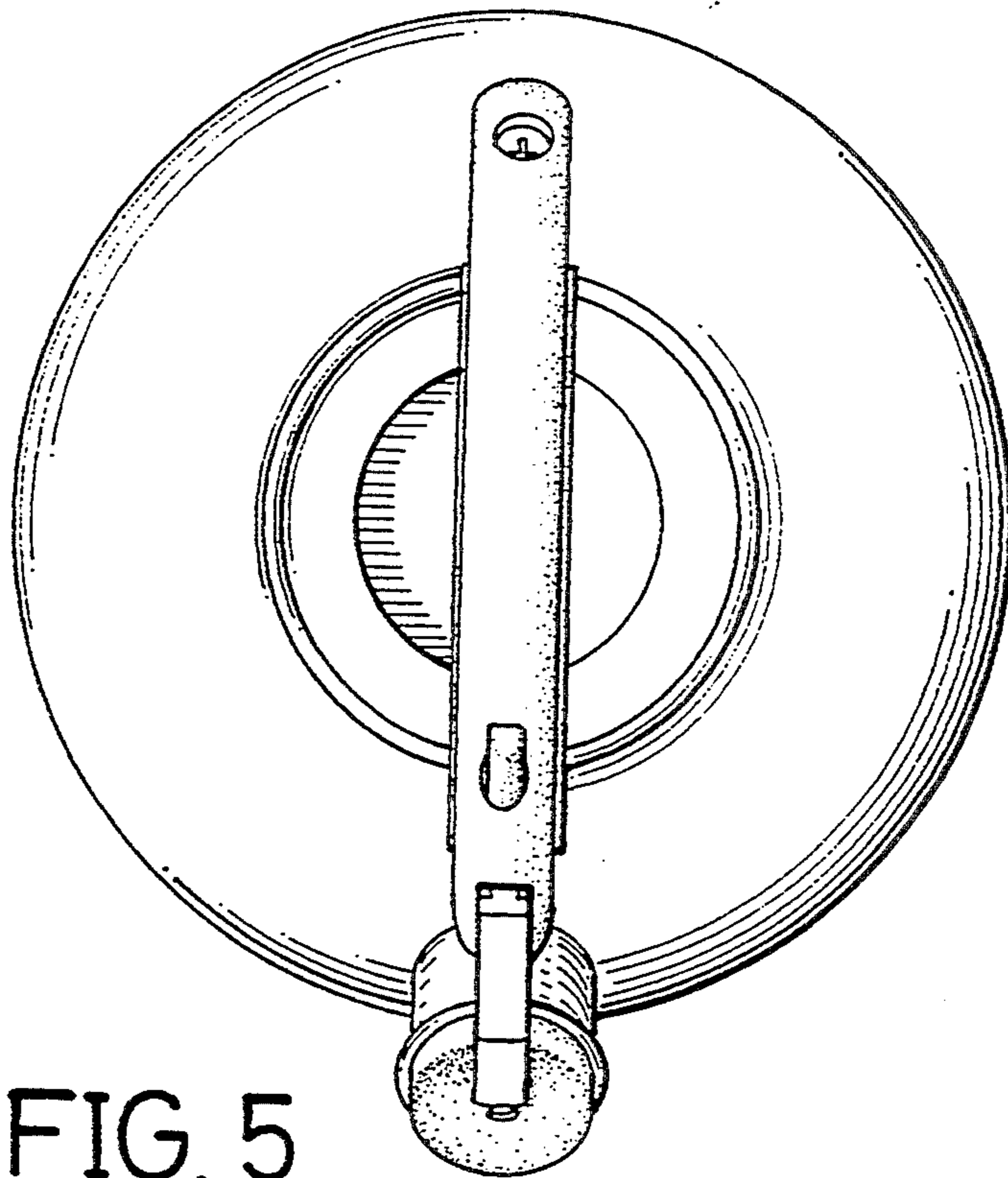


FIG. 5

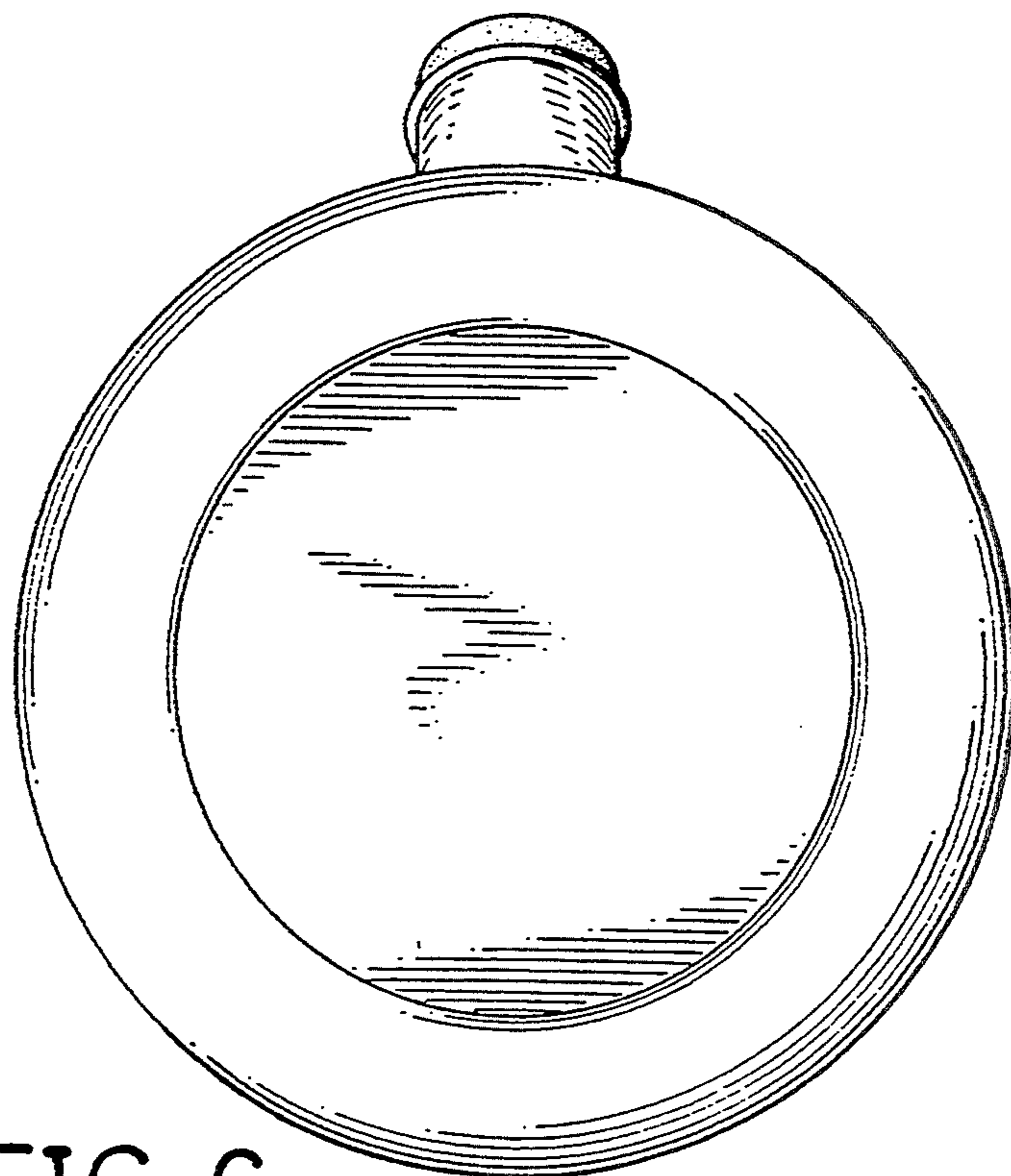


FIG. 6