



US00D361691S

United States Patent [19]

[11] Patent Number: **Des. 361,691**

Maass, Jr.

[45] Date of Patent: **** Aug. 29, 1995**

[54] **PUMP-TYPE ESPRESSO MACHINE**

D. 339,954	10/1993	Bunn et al.	D7/309
D. 346,298	4/1994	Brady et al.	D7/310 X
5,251,541	10/1993	Anson et al.	99/280

[75] Inventor: **Rudolf Maass, Jr.**, Solingen, Germany

OTHER PUBLICATIONS

[73] Assignee: **Arthur Eugster AG**, Romanshorn, Switzerland

Norelco Coffeemaker, HFD p. 57 Mar. 1986.
Hamilton Beach Inc Model 807, HFD, p. 121 Jan. 1989.

[**] Term: **14 Years**

Primary Examiner—Alan P. Douglas
Assistant Examiner—M. N. Pandozzi
Attorney, Agent, or Firm—Darby & Darby

[21] Appl. No.: **19,485**

[22] Filed: **Mar. 3, 1994**

[57] CLAIM

[52] U.S. Cl. **D7/309; D7/310; D7/311**

The ornamental design for a pump-type espresso machine, as shown and described.

[58] Field of Search **D7/300, 305, 309, 310, D7/311, 307, 308; 99/279, 293, 295, 306, 280**

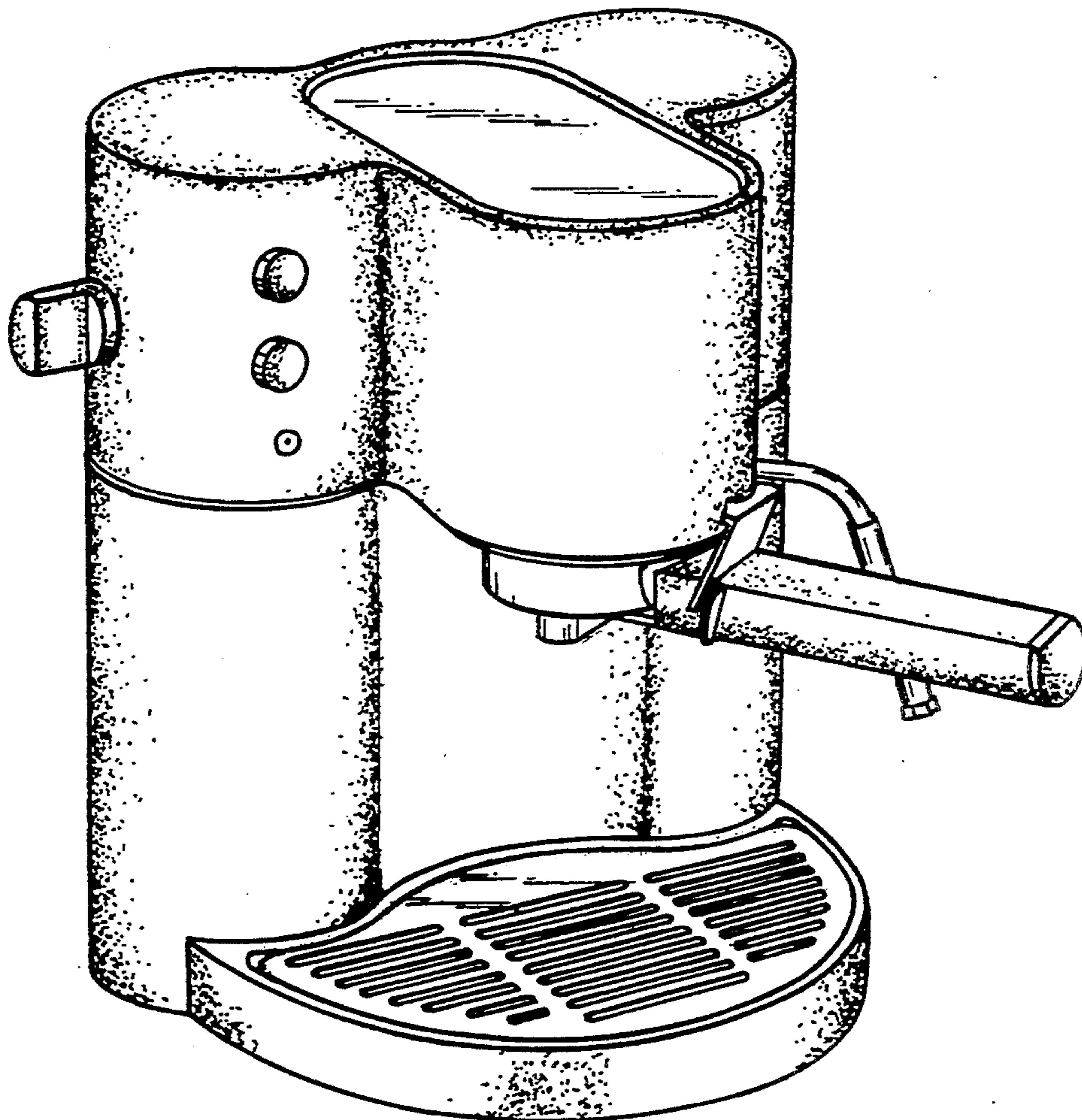
DESCRIPTION

[56] References Cited

U.S. PATENT DOCUMENTS

D. 281,943	12/1985	Rosalgino	D7/309
D. 319,752	9/1991	Adams et al.	D7/305 X
D. 336,207	6/1993	Brookshire	D7/311 X
D. 339,953	10/1993	Bunn et al.	D7/310 X

FIG. 1 is a perspective view of a pump-type espresso machine showing my new design; FIG. 2 is a rear elevational view thereof; FIG. 3 is a right side view thereof; FIG. 4 is a left side view thereof; FIG. 5 is a top view thereof; and, FIG. 6 is a bottom view thereof.



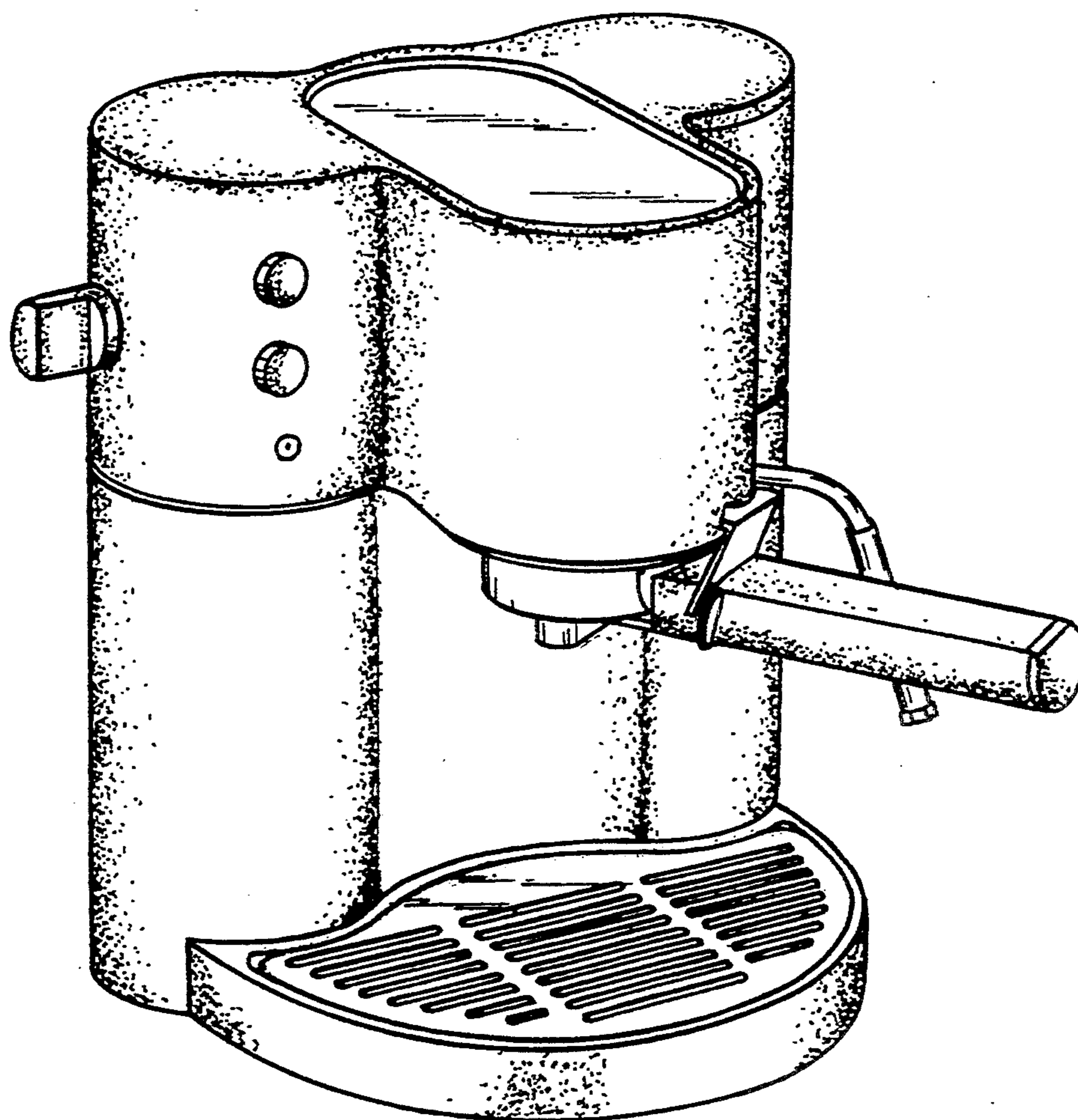


FIG. 1

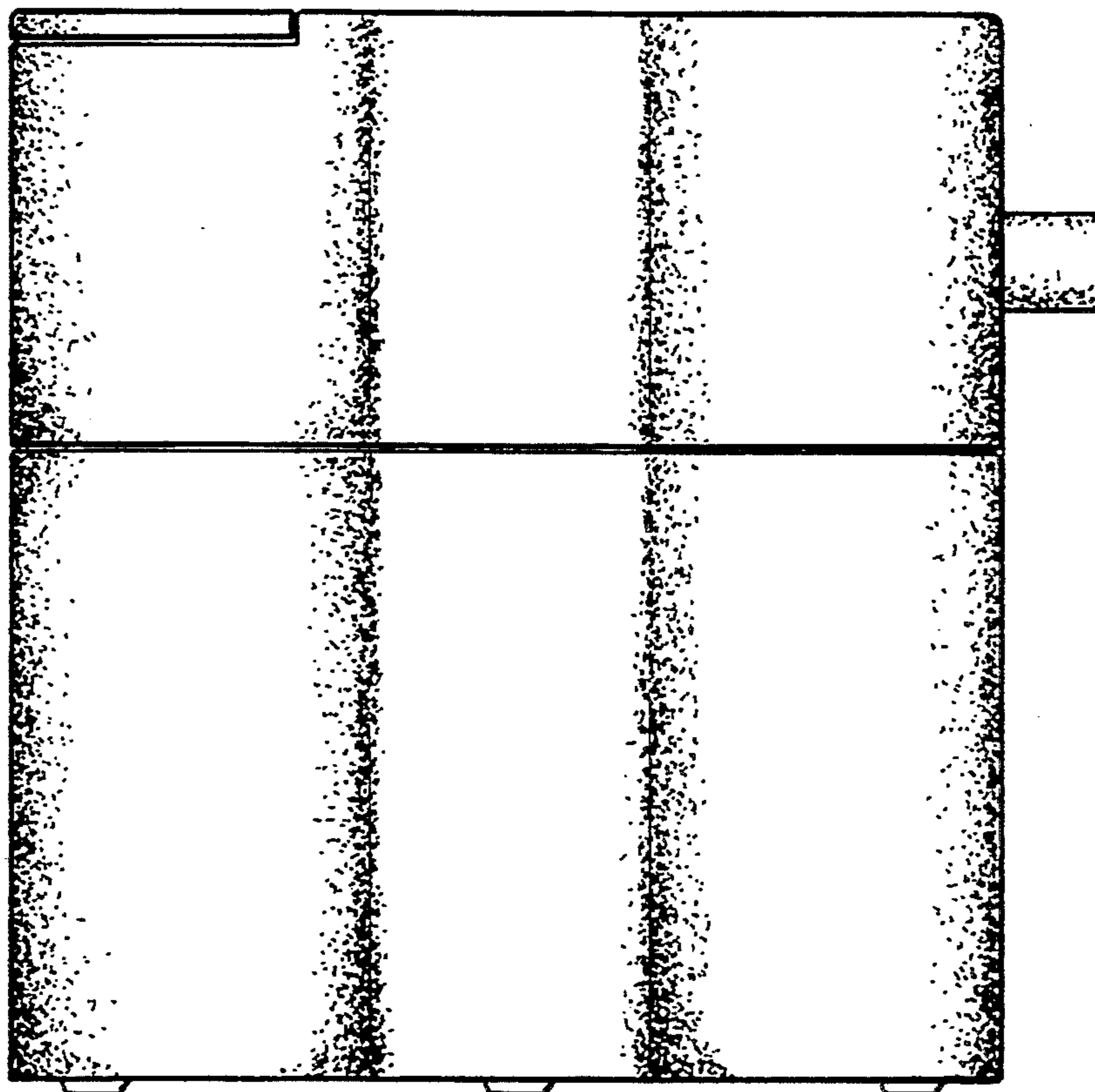


FIG. 2

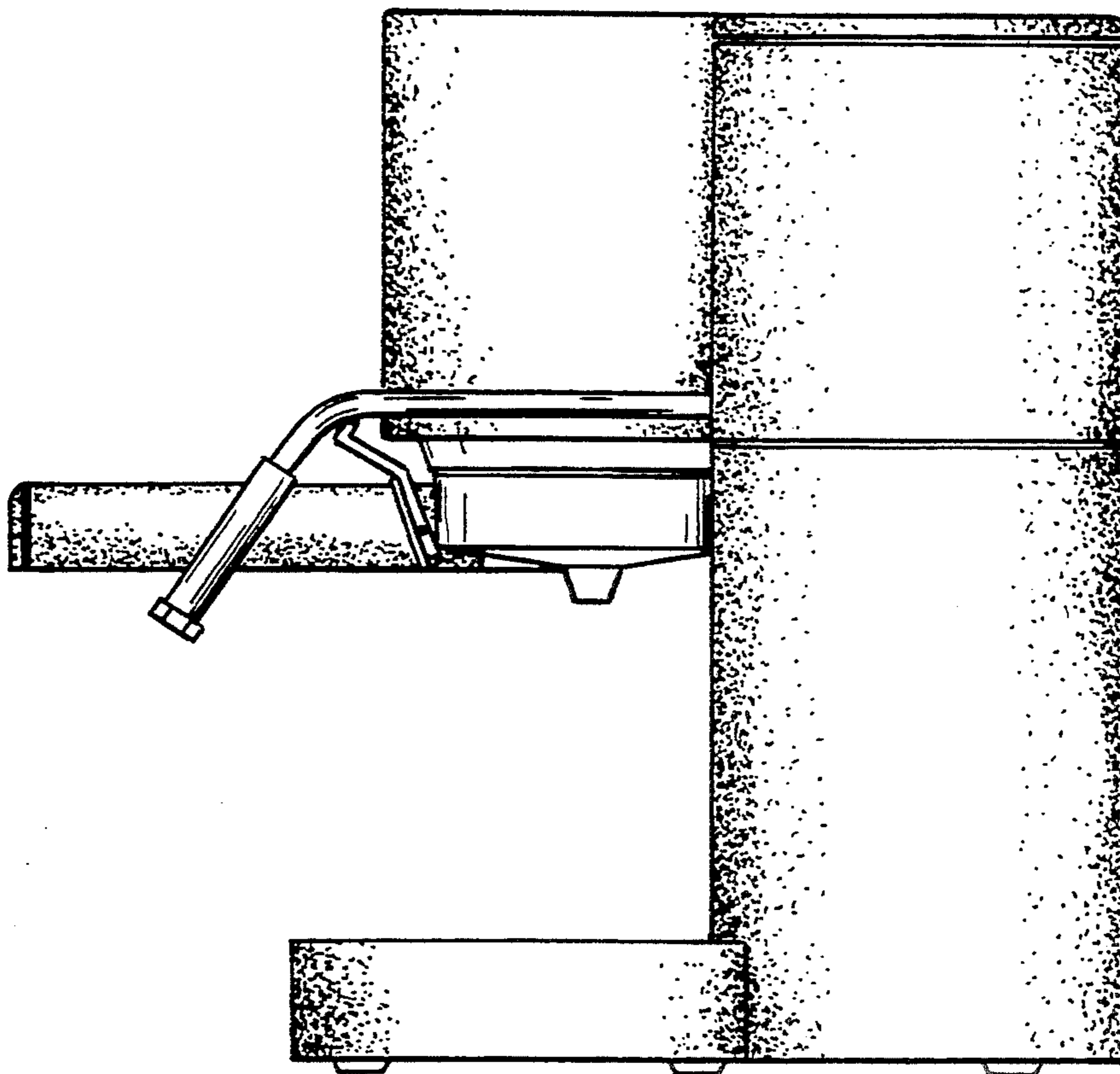


FIG. 3

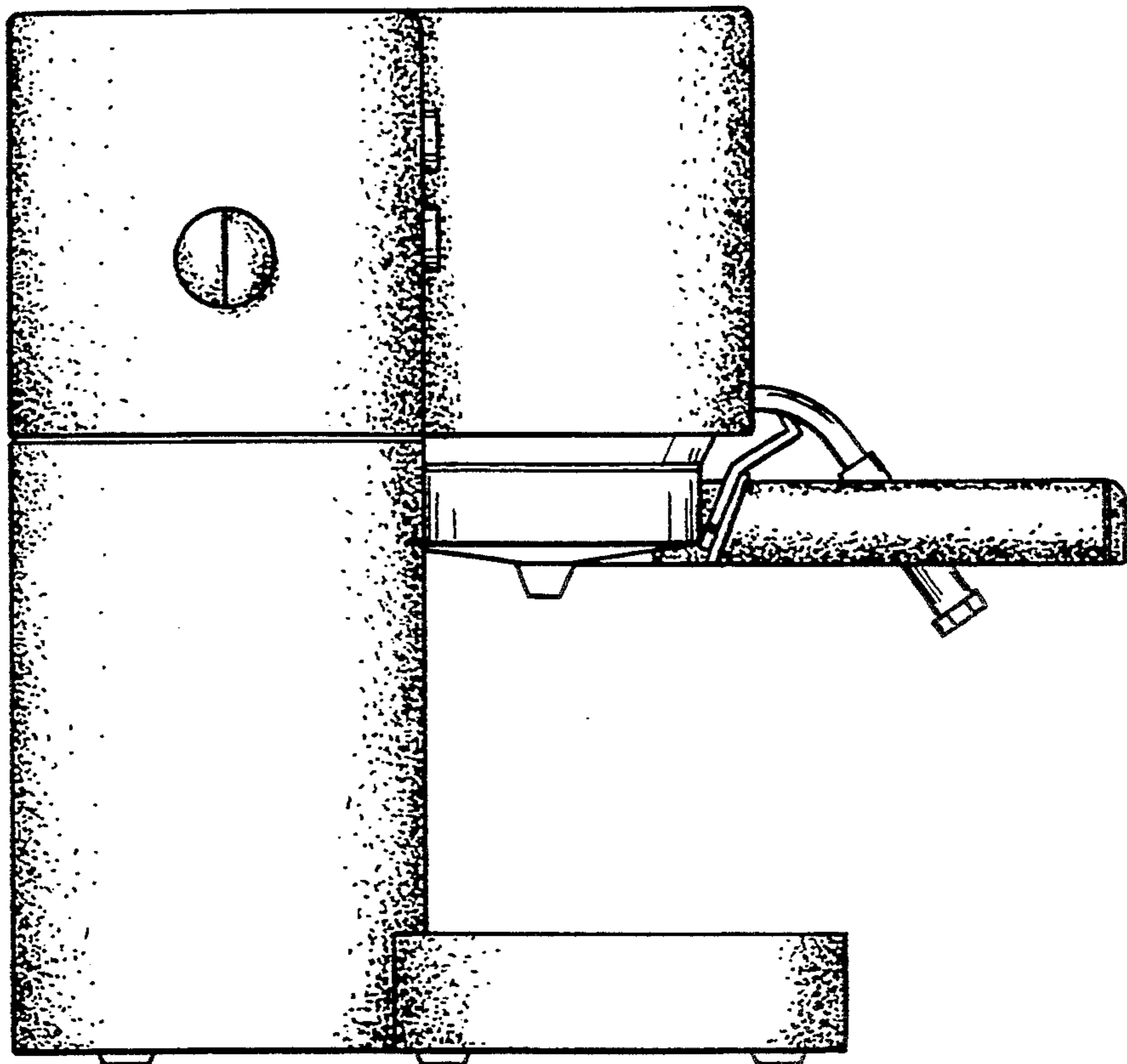


FIG.4

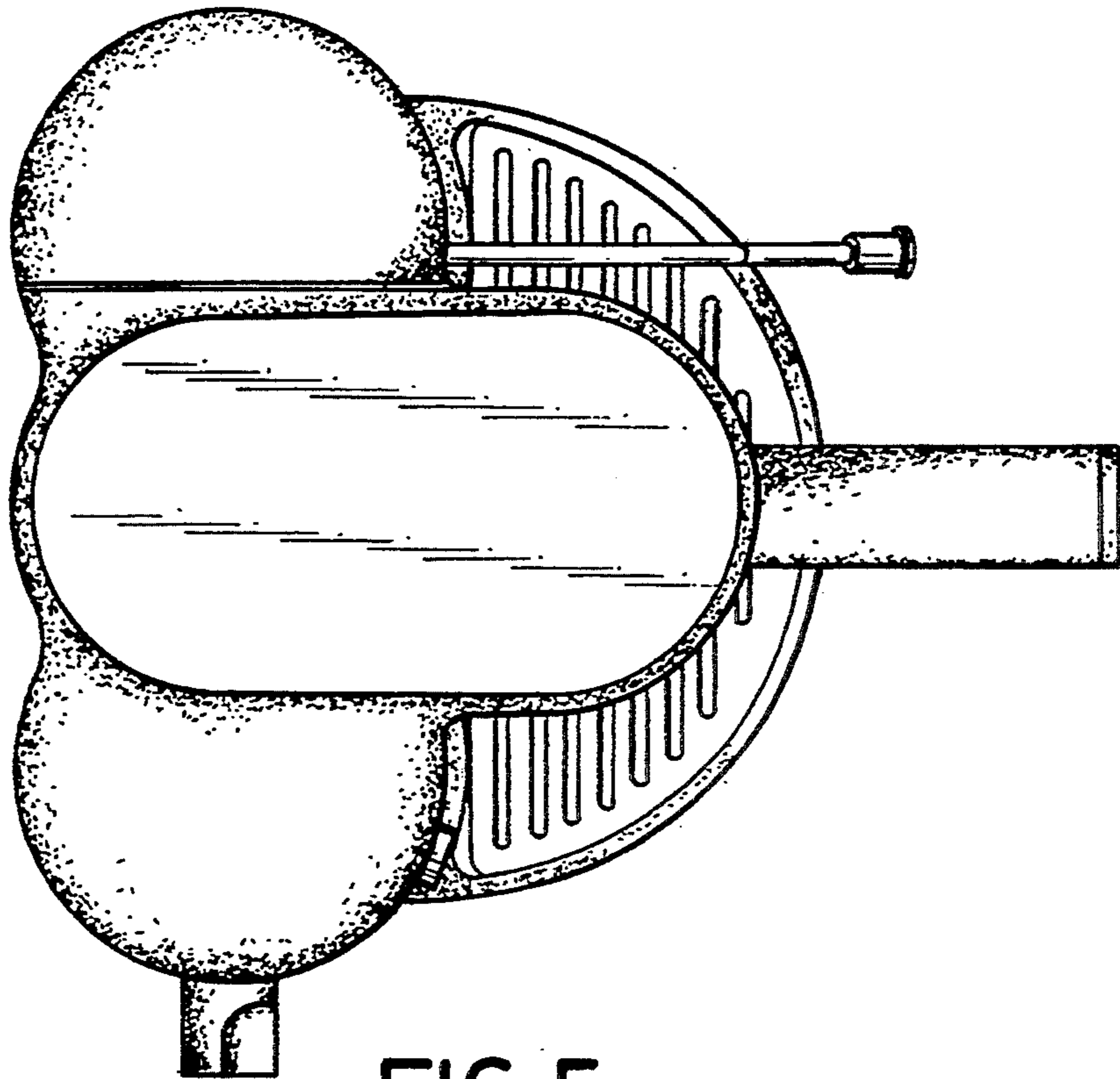


FIG. 5

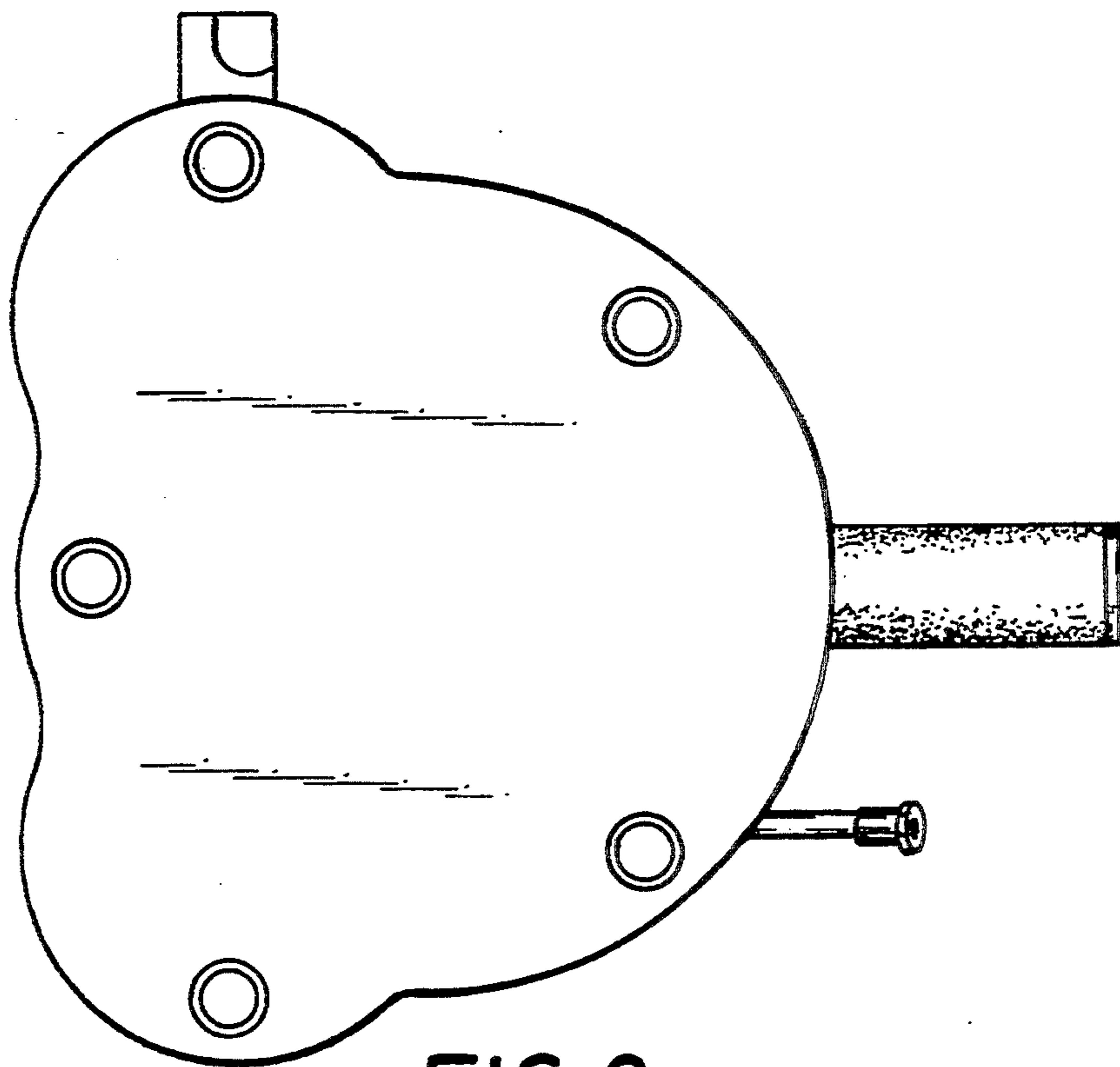


FIG. 6