



US00D361690S

United States Patent [19]

[11] Patent Number: **Des. 361,690**

Amie

[45] Date of Patent: **** Aug. 29, 1995**

[54] **COFFEE MAKER**

[75] Inventor: **Richard Amie, Thal, Switzerland**

[73] Assignee: **Arthur Eugster AG, Romanshorn, Switzerland**

[**] Term: **14 Years**

[21] Appl. No.: **19,484**

[22] Filed: **Mar. 3, 1994**

[52] U.S. Cl. **D7/309; D7/310; D7/311**

[58] Field of Search **D7/300, 305, 307, 310, D7/311, 308; 99/279, 293, 295, 306, 280**

[56] **References Cited**

U.S. PATENT DOCUMENTS

D. 288,517	3/1987	Kahlcke	D7/309
D. 288,885	3/1987	Kahlcke	D7/309
D. 291,525	9/1987	Classen	D7/309
D. 316,004	4/1991	Eugster	D7/309
D. 339,953	10/1993	Bunn et al.	D7/310 X
D. 346,298	4/1994	Brady et al.	D7/309

D. 348,585	7/1994	Sham	D7/309
4,742,767	5/1988	Komatsu et al.	D7/310 X
5,251,541	10/1993	Anson et al.	99/280
5,301,600	4/1994	Medema	99/306

OTHER PUBLICATIONS

Newco Thermal Server, Vending Times Aug. 1988 p. 18.

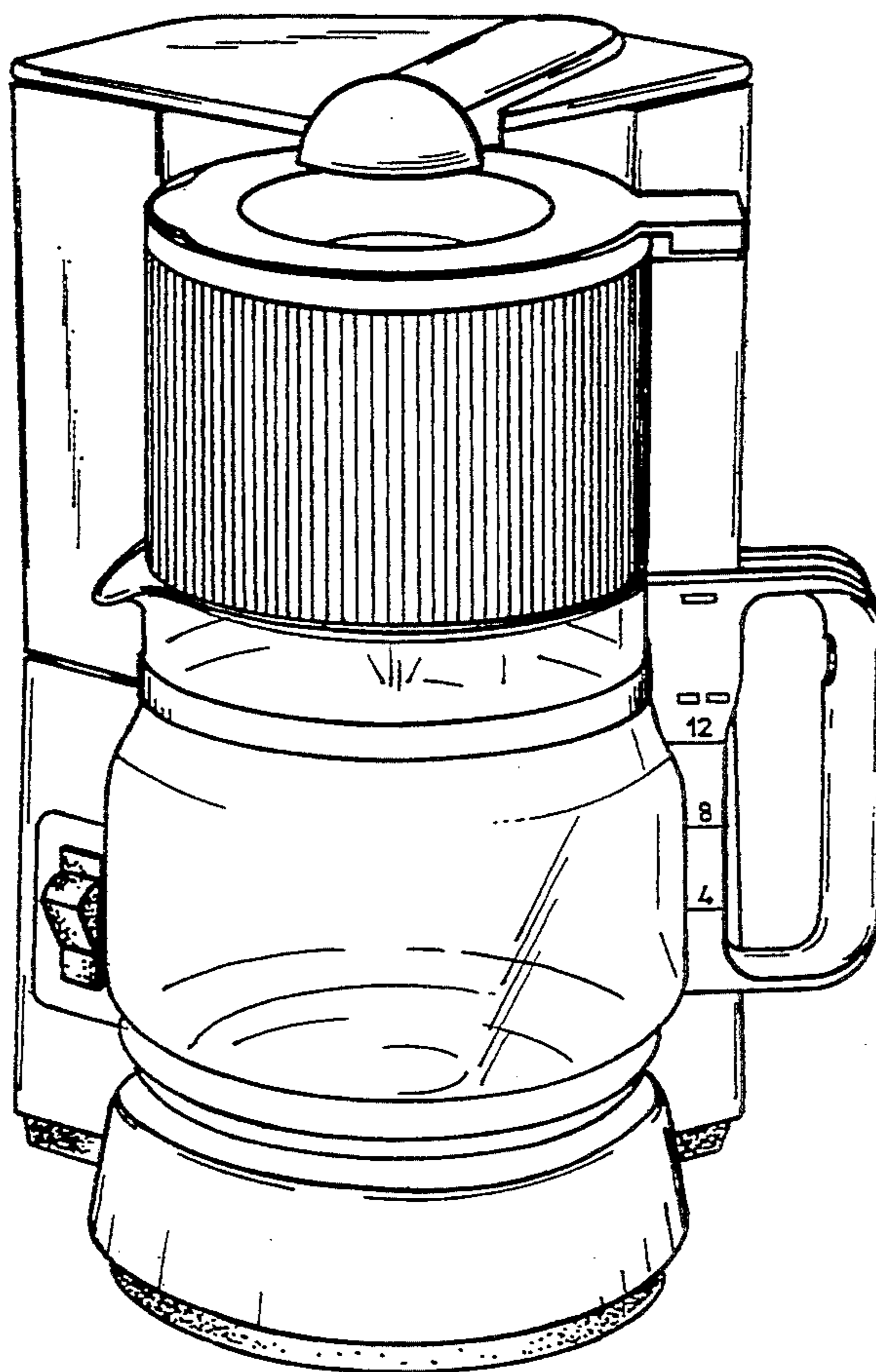
Primary Examiner—Alan P. Douglas
Assistant Examiner—M. N. Pandozzi
Attorney, Agent, or Firm—Darby & Darby

[57] CLAIM

The ornamental design for a coffee maker, as shown and described.

DESCRIPTION

FIG. 1 is a front perspective view of a coffee maker showing my new design;
FIG. 2 is a rear perspective view thereof;
FIG. 3 is a right side view thereof;
FIG. 4 is a left side view thereof;
FIG. 5 is a top view thereof; and,
FIG. 6 is a bottom view thereof.



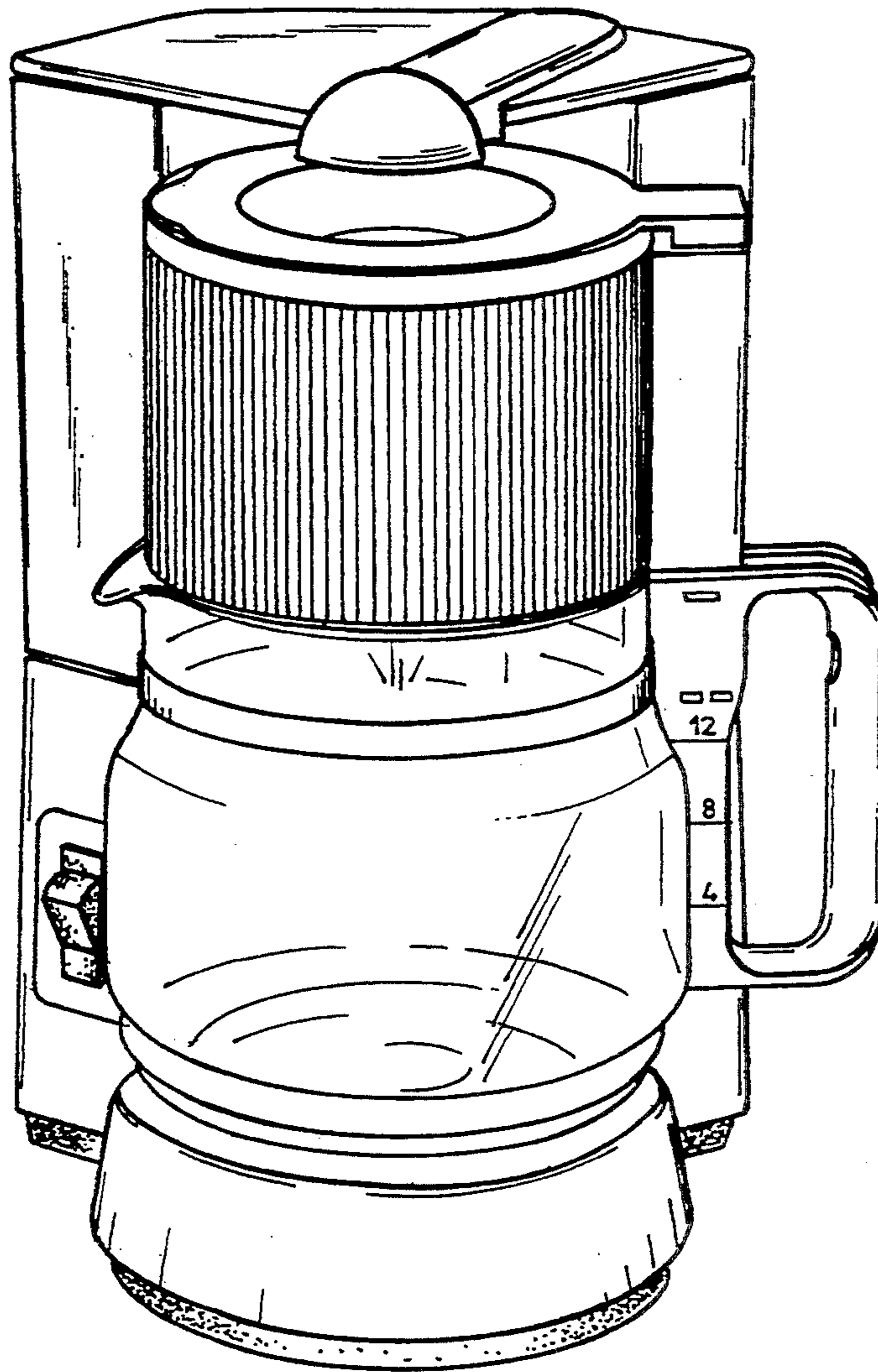


FIG.1

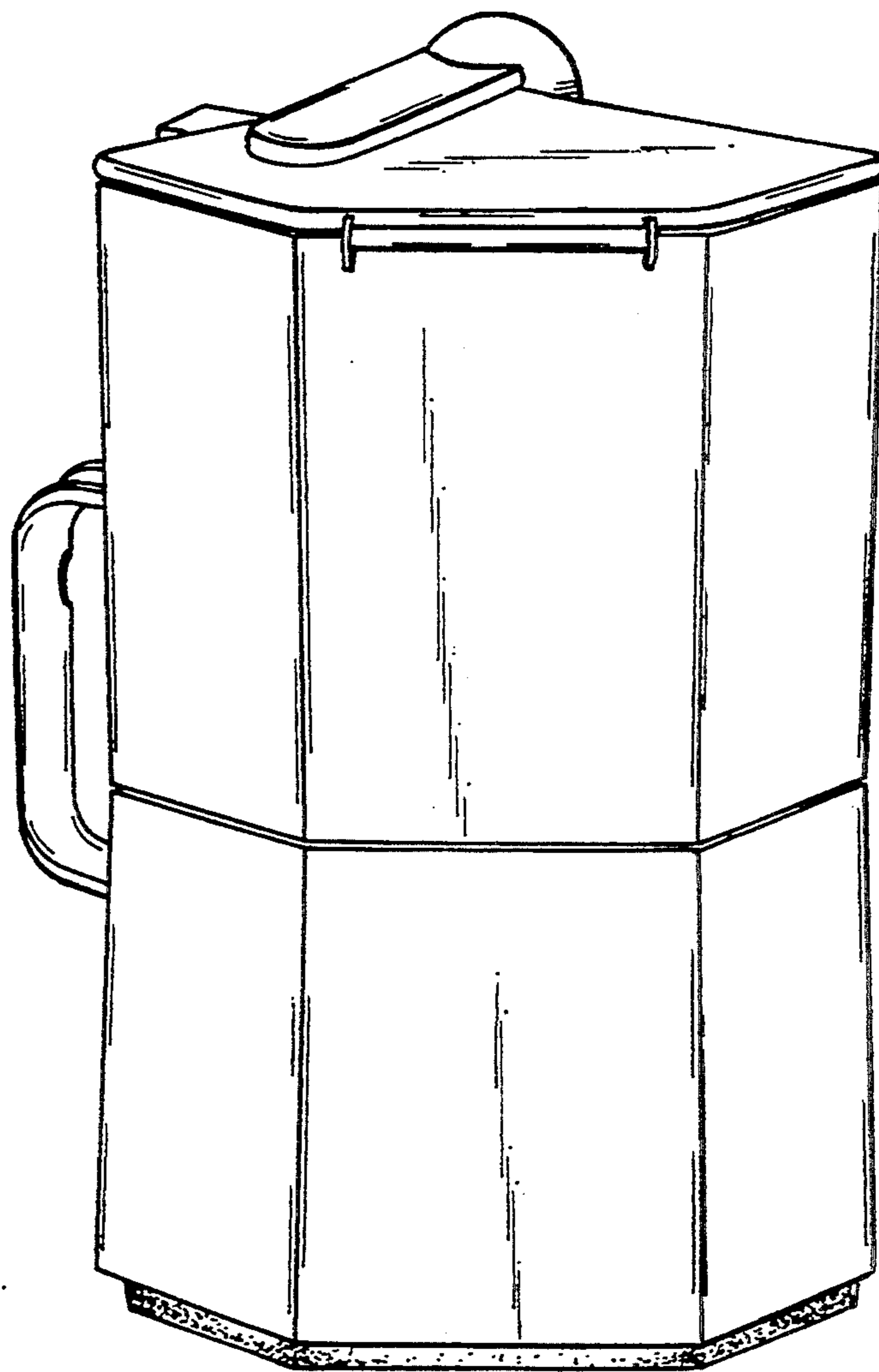


FIG. 2

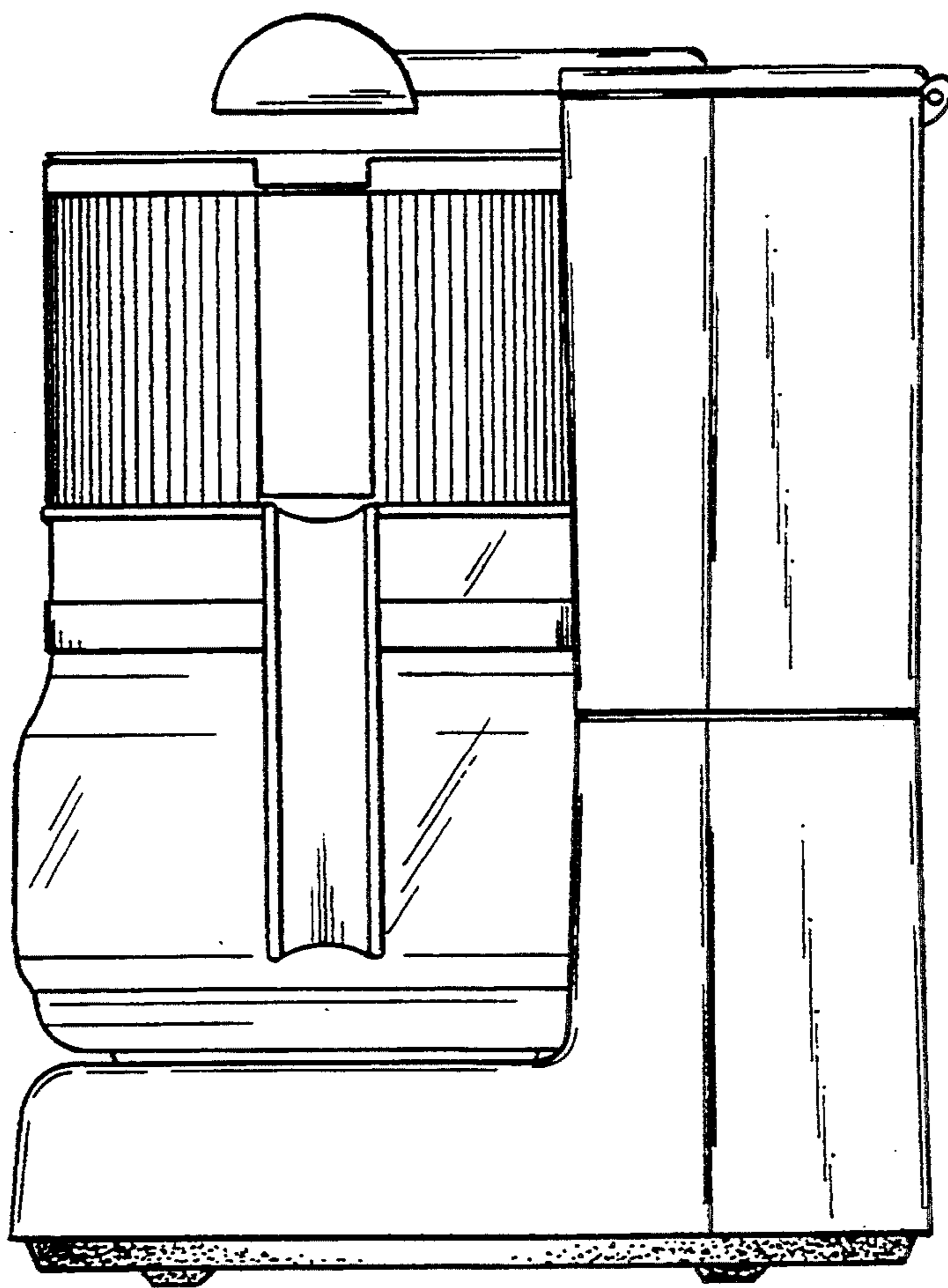


FIG. 3

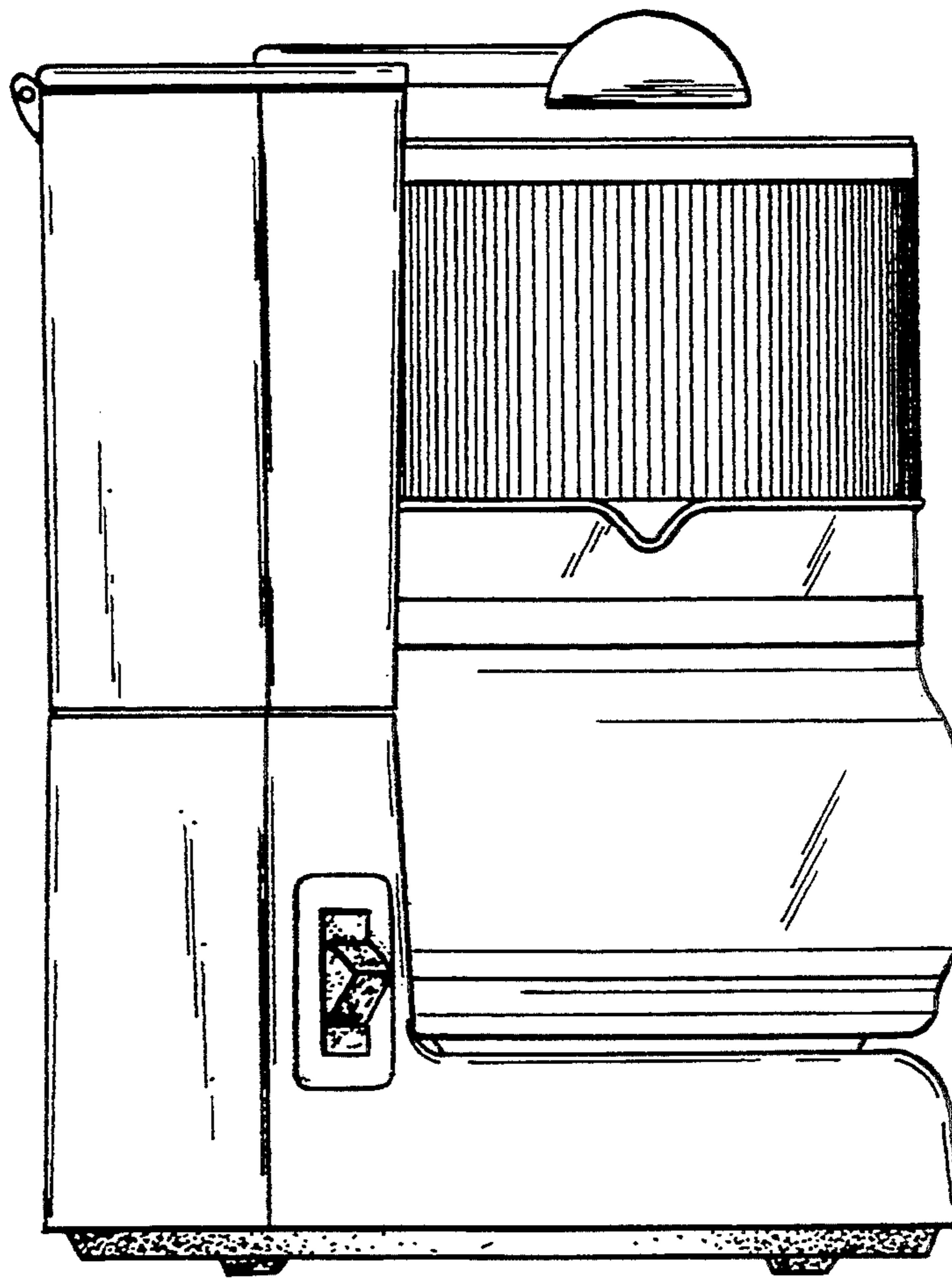


FIG. 4

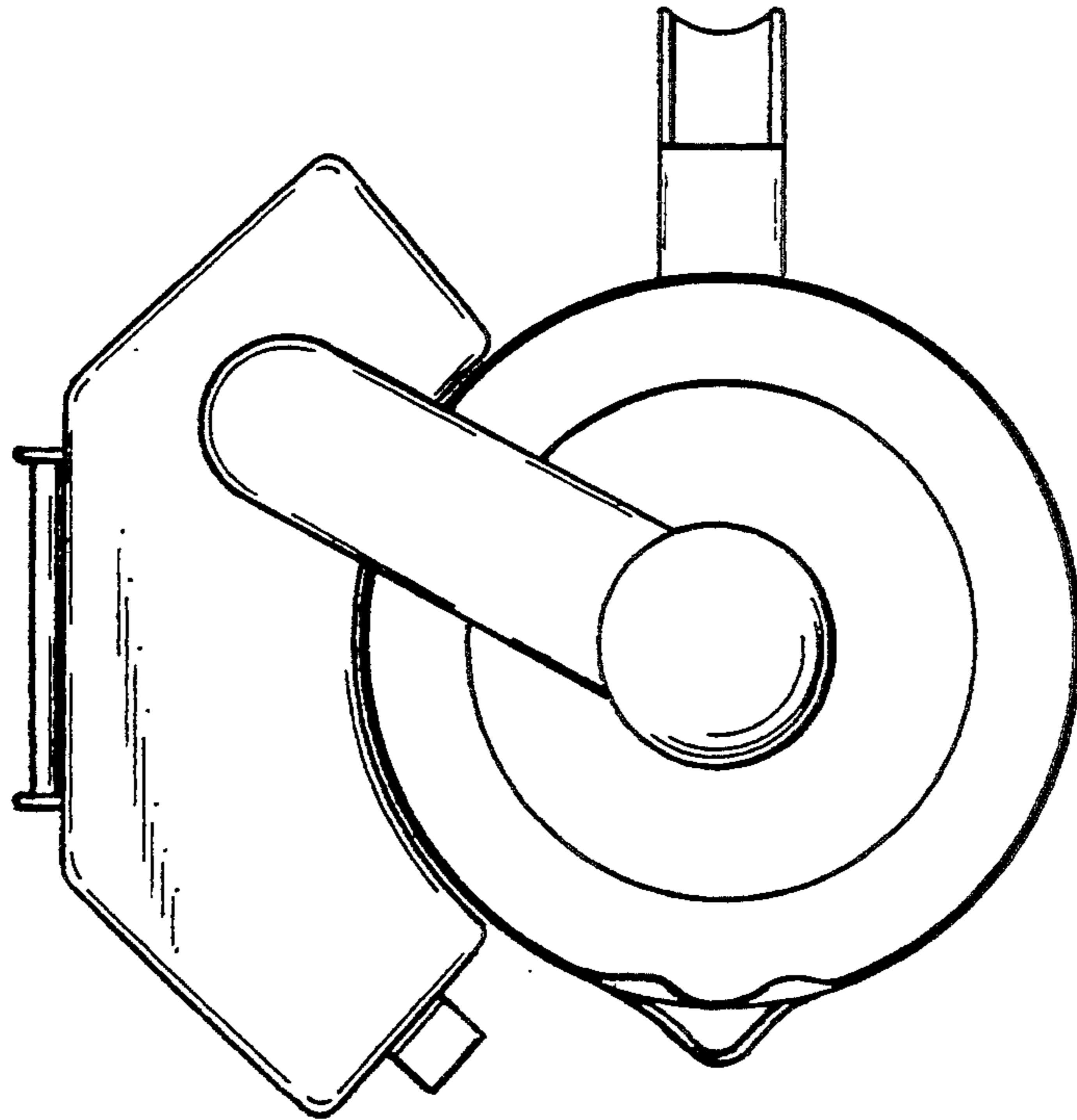


FIG. 5

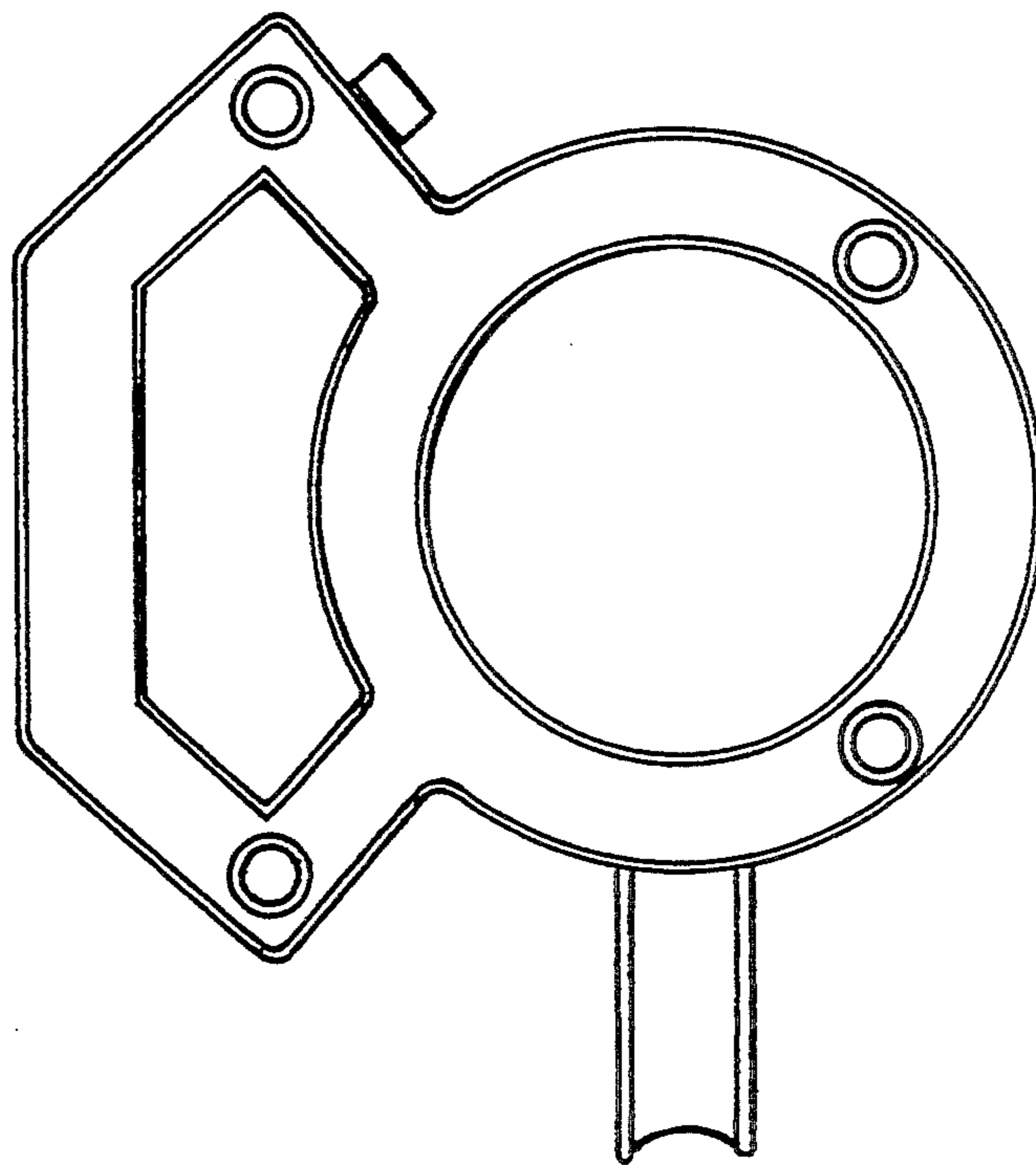


FIG. 6

UNITED STATES PATENT AND TRADEMARK OFFICE
CERTIFICATE OF CORRECTION

PATENT NO. : DES. 361,690
DATED : August 29, 1995
INVENTOR(S) : Richard AMIEL

It is certified that error appears in the above-identified patent and that said Letters Patent is hereby corrected as shown below:

Title page, items [19] and [75]

Inventor: change "Amie" to --Amiel--.

Signed and Sealed this
Seventh Day of November, 1995

Attest:



BRUCE LEHMAN

Attesting Officer

Commissioner of Patents and Trademarks