



US00D361689S

United States Patent [19]

[11] Patent Number: **Des. 361,689**

McCloskey

[45] Date of Patent: **** Aug. 29, 1995**

[54] **UNDER-THE-CABINET-COFFEEMAKER**

4,540,146 9/1985 Basile .

[75] Inventor: **Don R. McCloskey**, Stratford, Conn.

4,667,583 5/1987 Tarozzi .

4,728,281 3/1988 McGuffin et al. D7/305 X

[73] Assignee: **Black & Decker Inc.**, Newark, Del.

Primary Examiner—Alan P. Douglas

Assistant Examiner—M. N. Pandozzi

[**] Term: **14 Years**

Attorney, Agent, or Firm—Barry E. Deutsch

[21] Appl. No.: **17,491**

[57] CLAIM

[22] Filed: **Jan. 13, 1994**

The ornamental design for an under-the-cabinet-coffeemaker, as shown and described.

[52] U.S. Cl. **D7/309; D7/300**

[58] Field of Search D7/300, 305, 306, 307, D7/308, 309, 310, 311, 312; 99/280, 282, 281, 293, 452, 323.1, 453

DESCRIPTION

FIG. 1 is a perspective view of the under-the-counter-coffeemaker taken from the front, right and top sides thereof, illustrating my new design;

FIG. 2 is a front elevational view thereof;

FIG. 3 is a right side elevational view thereof;

FIG. 4 is a bottom plan view thereof;

FIG. 5 is a top plan view thereof;

FIG. 6 is a left side elevational view thereof; and,

FIG. 7 is a rear elevational view thereof.

[56] References Cited

U.S. PATENT DOCUMENTS

- D. 285,276 8/1986 Daher D7/309
- D. 290,215 6/1987 Sonnetag et al. D7/305 X
- D. 298,727 11/1988 Nomura D7/305
- D. 340,832 11/1993 Macchi D7/300 X

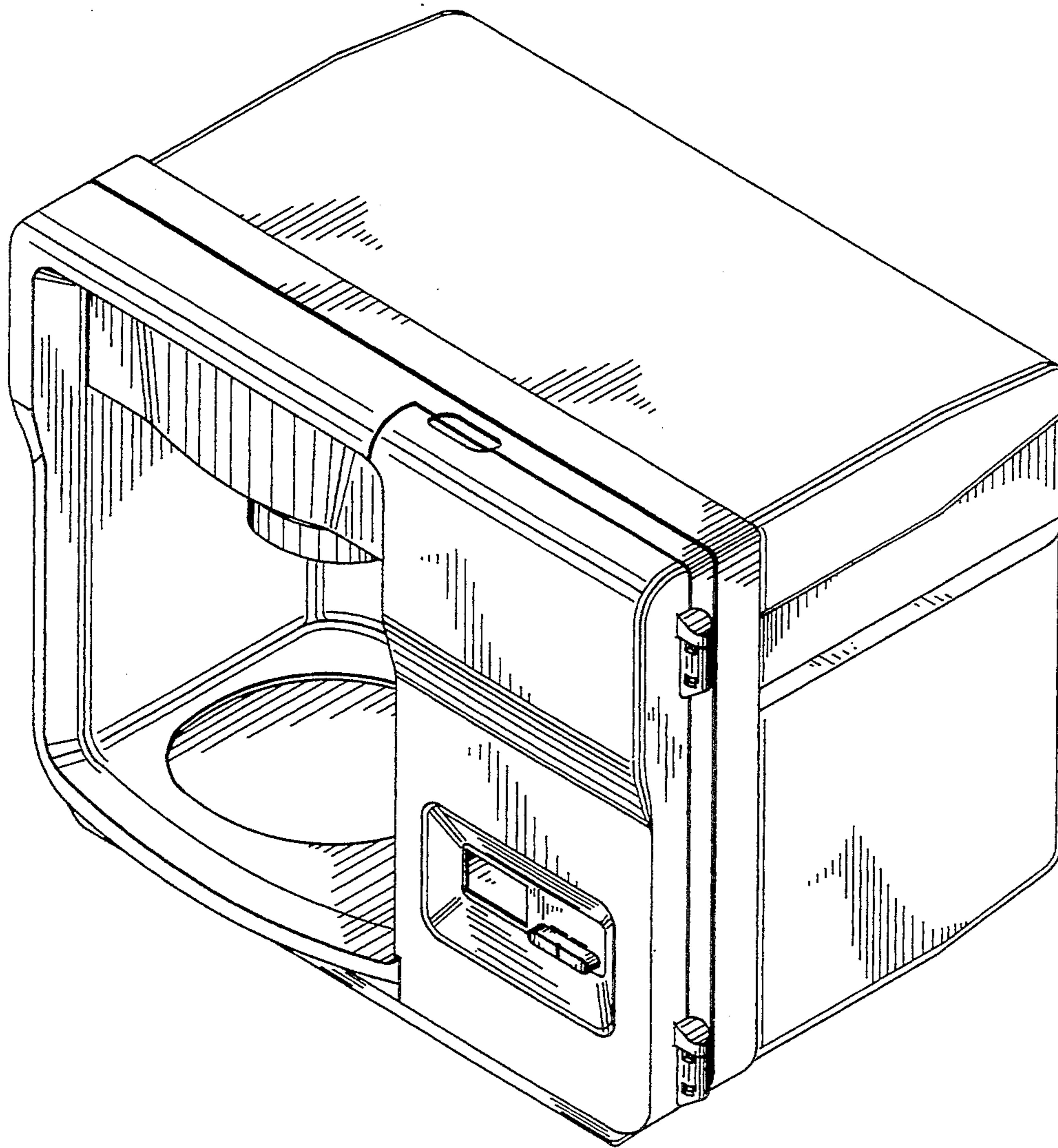


FIG. 1

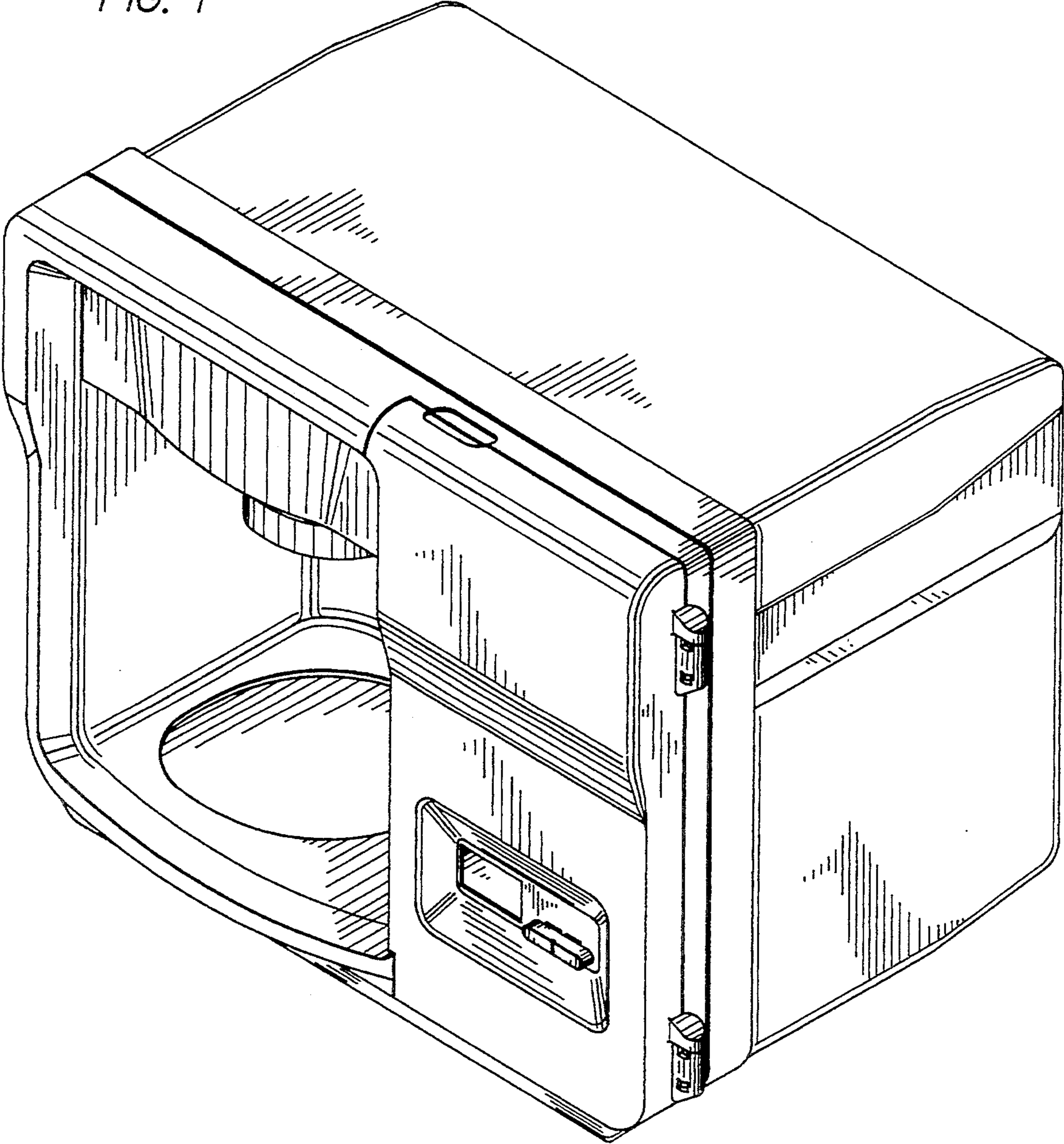


FIG. 2

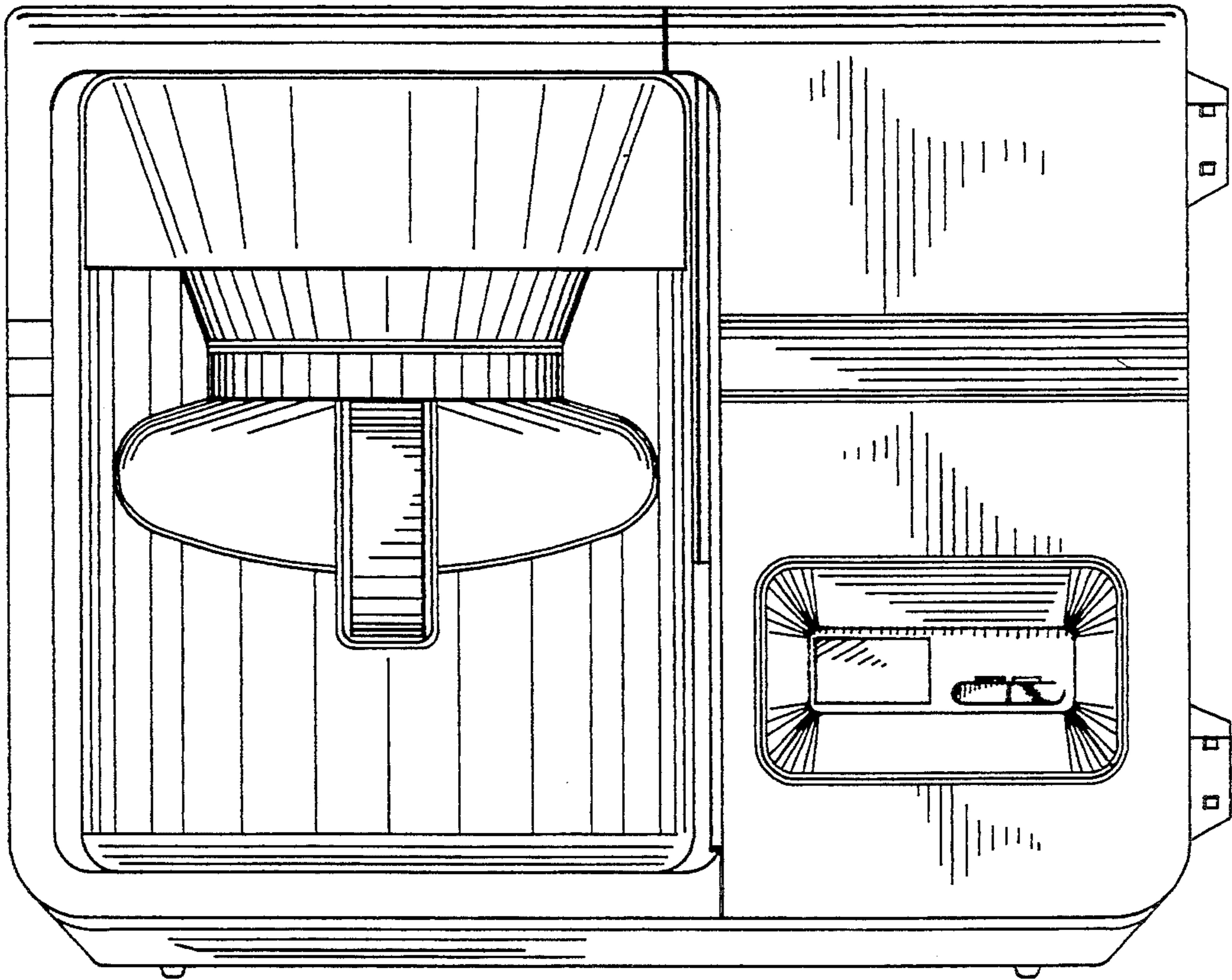


FIG. 3

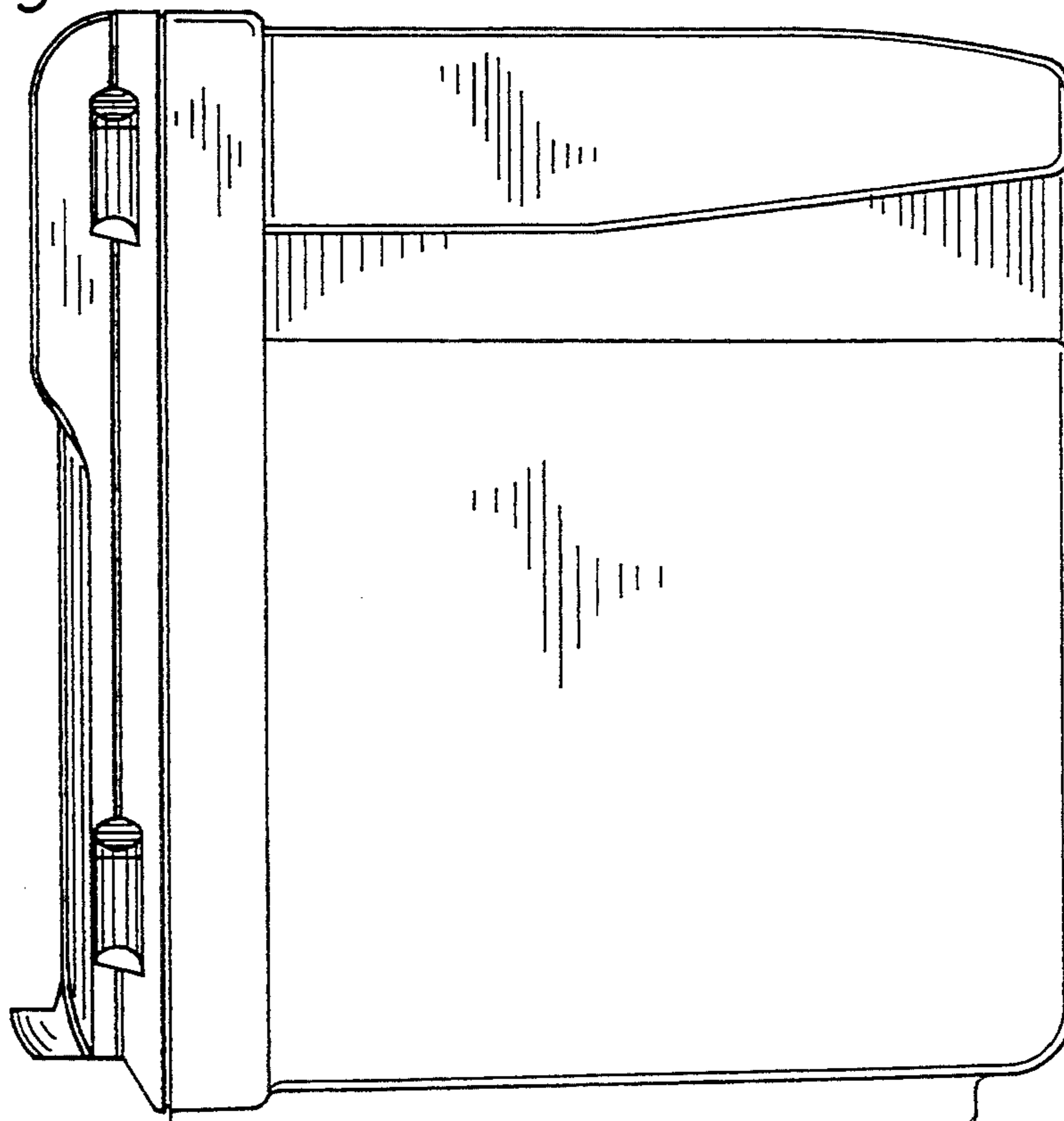


FIG. 4

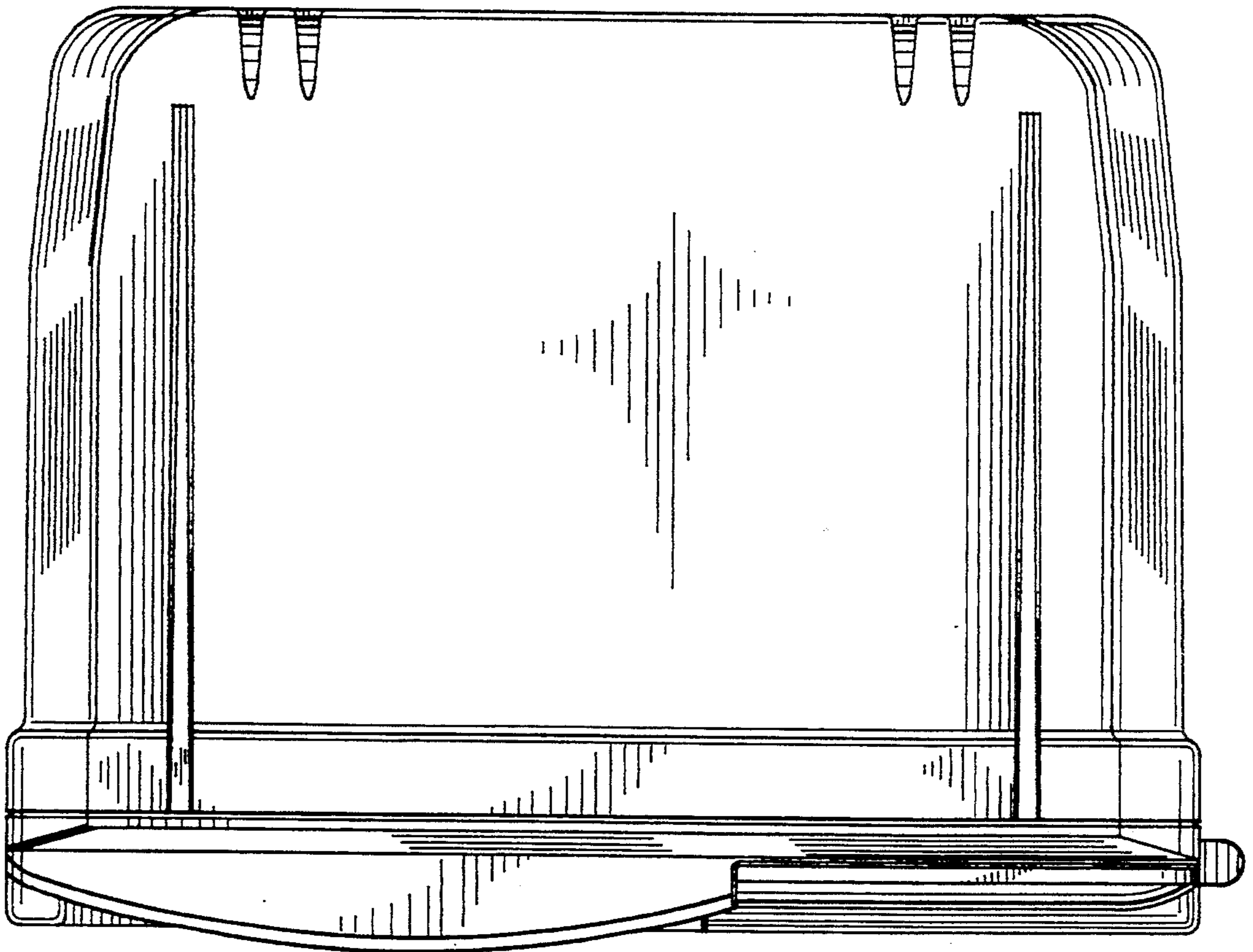


FIG. 5

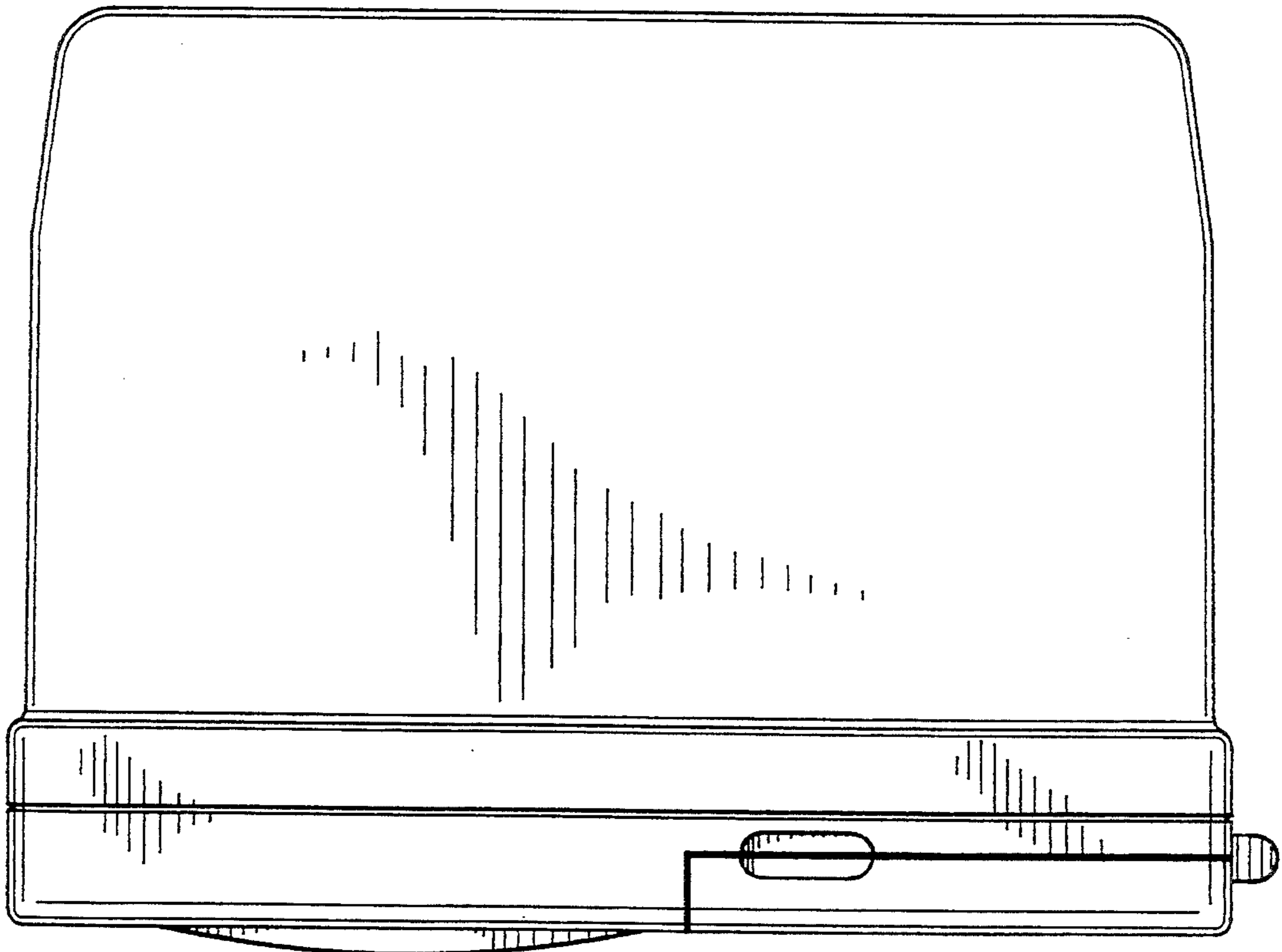


FIG. 6

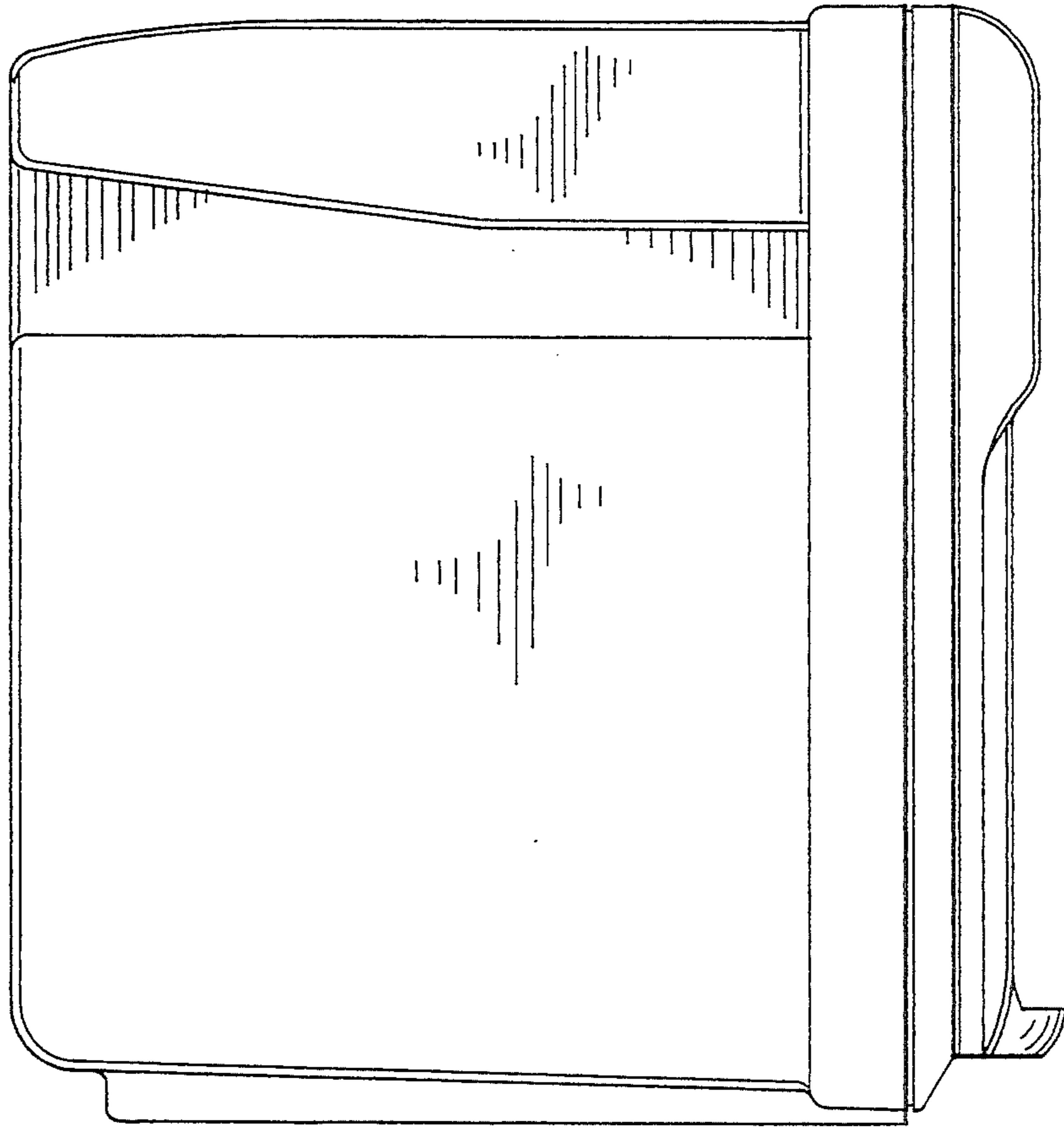


FIG. 7

