



US00D361675S

**United States Patent** [19]  
**Ruy**

[11] **Patent Number: Des. 361,675**

[45] **Date of Patent: \*\* Aug. 29, 1995**

[54] **CHAIR**

[76] **Inventor: Chang-Keun Ruy, No. 1-168 Kan Sok  
3 dong, Nam Dong Ku, Inchon, Rep.  
of Korea**

[\*\*] **Term: 14 Years**

[21] **Appl. No.: 13,844**

[22] **Filed: Oct. 4, 1993**

[52] **U.S. Cl. .... D6/379; D6/380**

[58] **Field of Search ..... D6/334, 374, 376, 379,  
D6/380, 500, 501, 502; 297/411.42, 446**

[56] **References Cited**

**U.S. PATENT DOCUMENTS**

- D. 270,976 10/1983 Rowland ..... D6/379
- D. 295,929 5/1988 Uredat ..... D6/379
- D. 308,143 5/1990 Lohmeyer ..... D6/379
- D. 334,298 3/1993 Panteloucos ..... D6/379

- D. 342,840 1/1994 Doughty ..... D6/379 X
- D. 346,707 5/1994 Martinez ..... D6/379

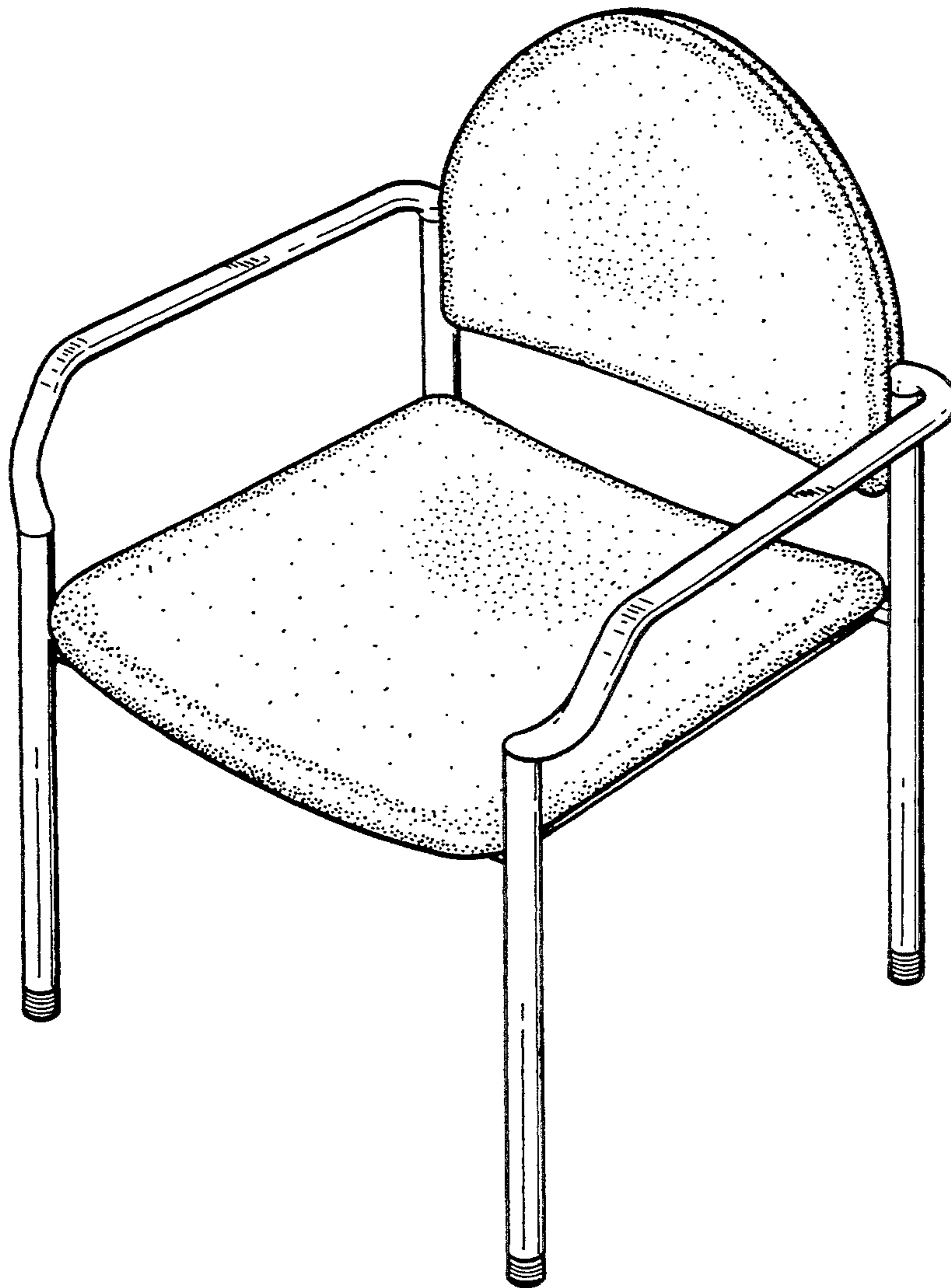
*Primary Examiner—Alan P. Douglas  
Assistant Examiner—Gary D. Watson  
Attorney, Agent, or Firm—Ladas & Parry*

[57] **CLAIM**

The ornamental design for a chair, as shown.

**DESCRIPTION**

FIG. 1 is a perspective view of my design for a chair;  
FIG. 2 is a right side view thereof;  
FIG. 3 is a left side view thereof;  
FIG. 4 is a front view thereof;  
FIG. 5 is a back view thereof;  
FIG. 6 is a plan view thereof;  
FIG. 7 is a bottom view thereof; and,  
FIG. 8 is a cross-section through the arm of the chair  
along line 8—8 in FIG. 2.



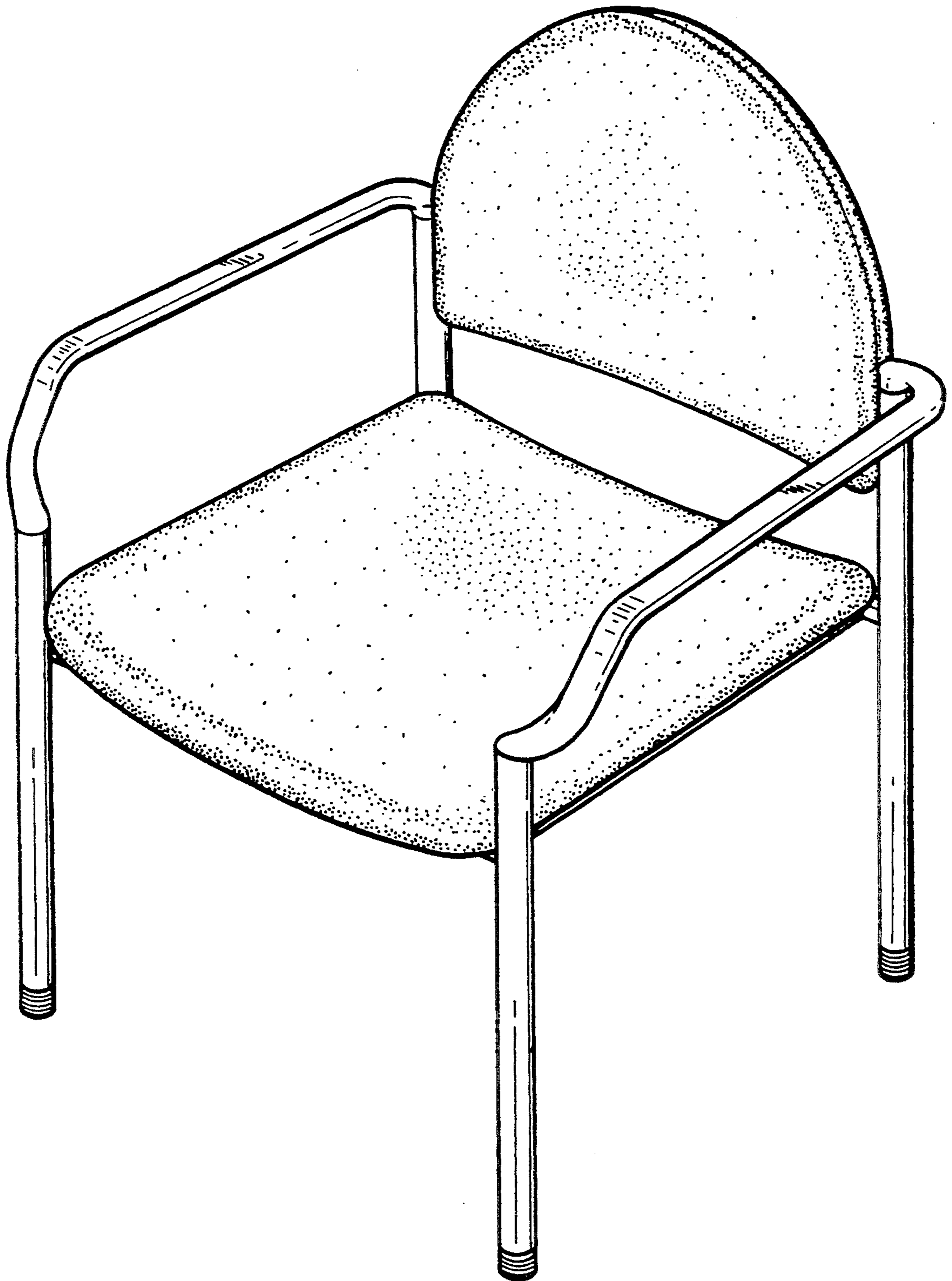


FIG. 1

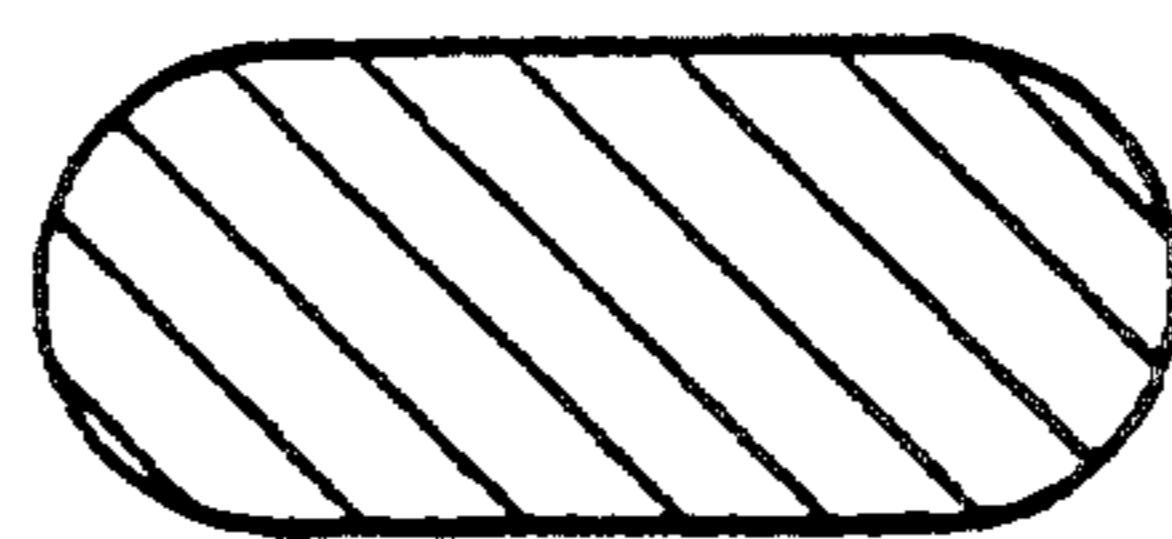
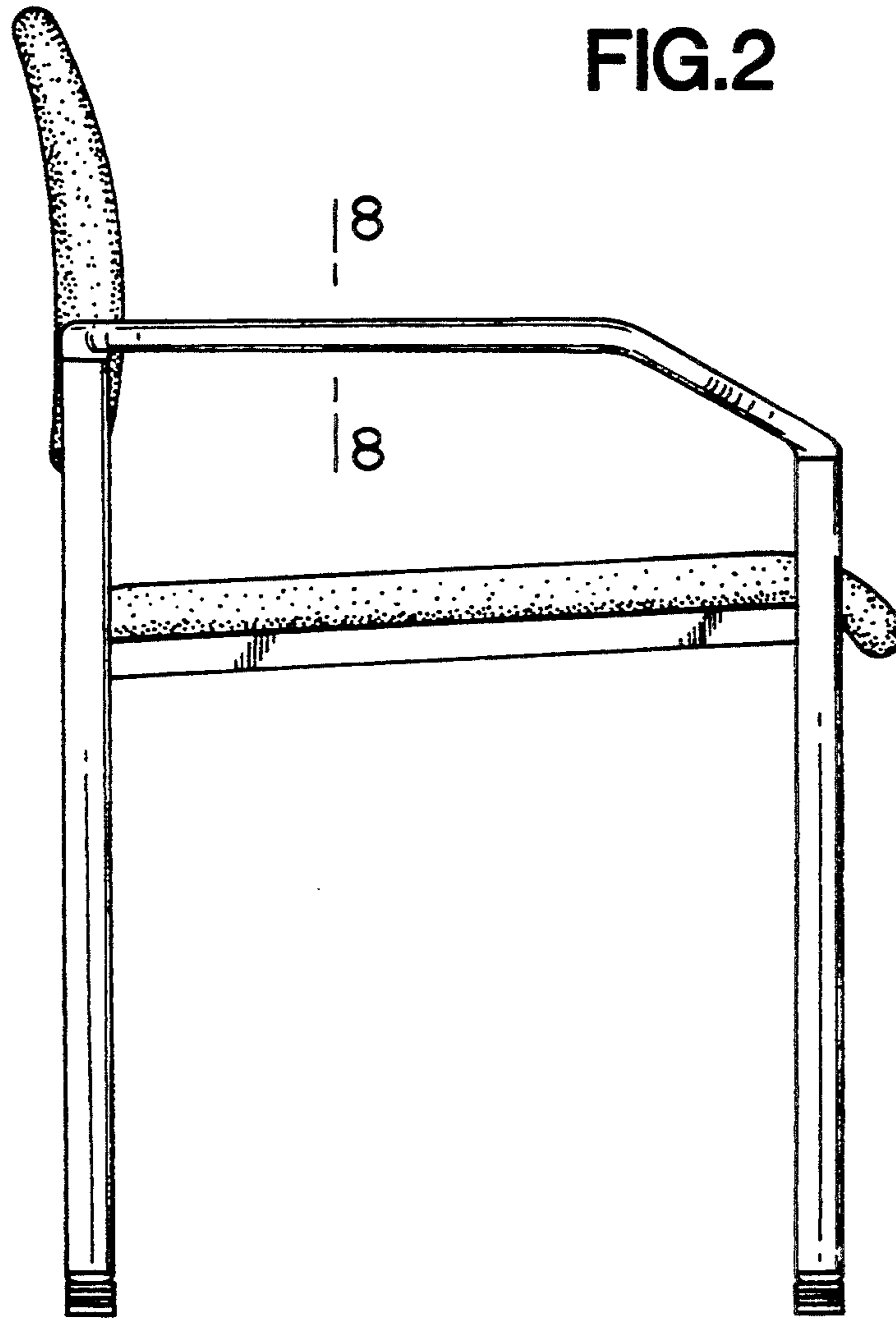


FIG. 8

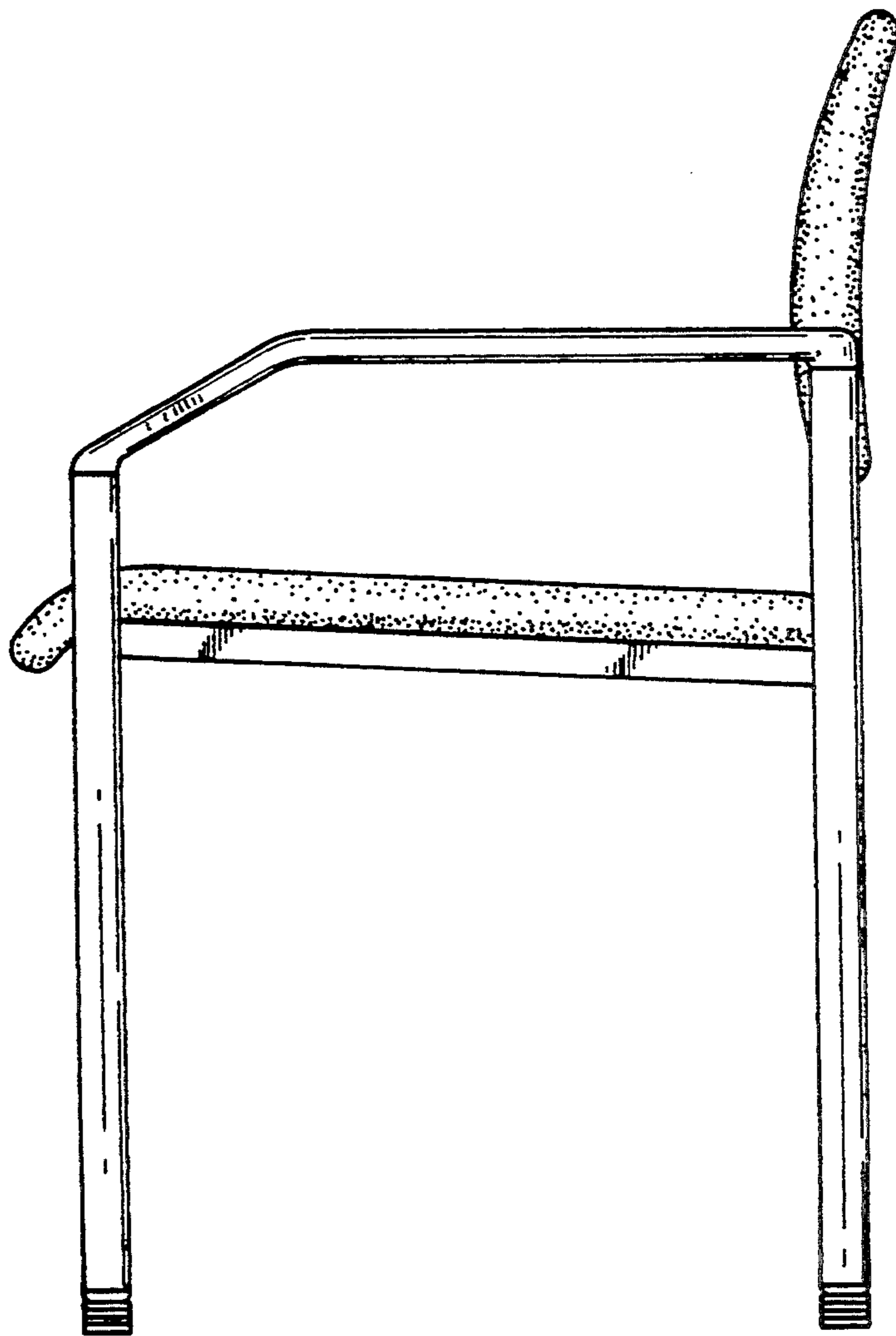


FIG.3

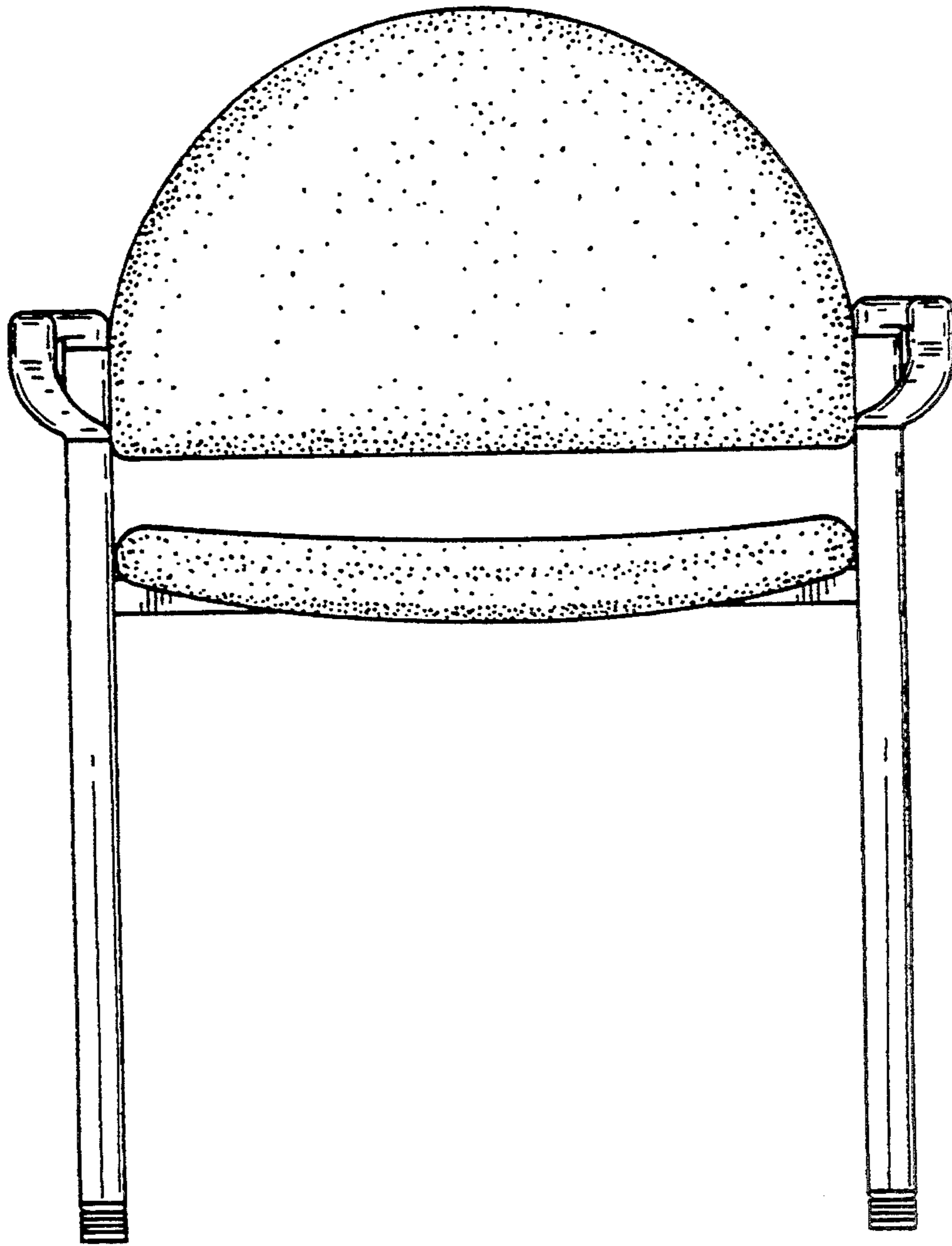


FIG.4

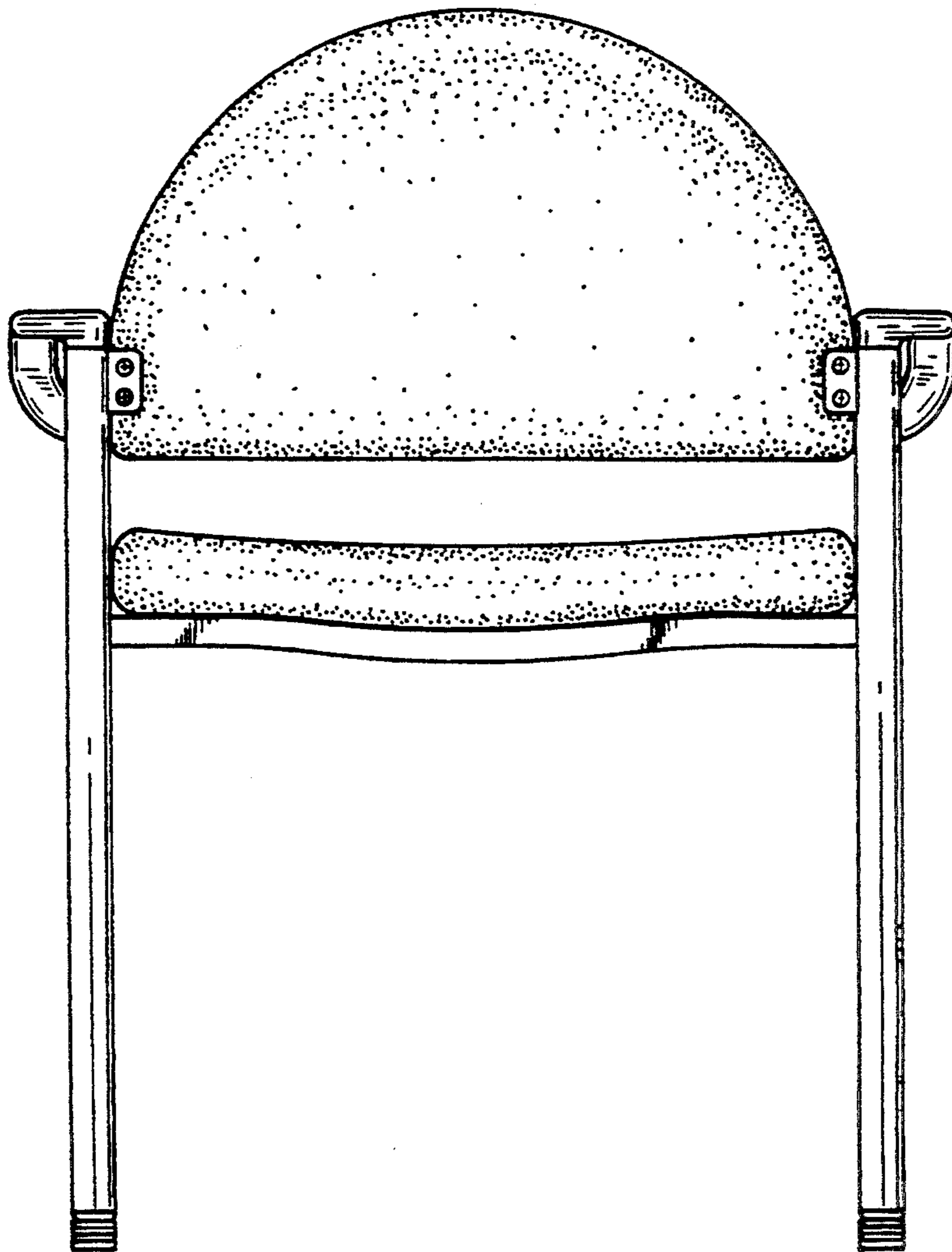


FIG.5

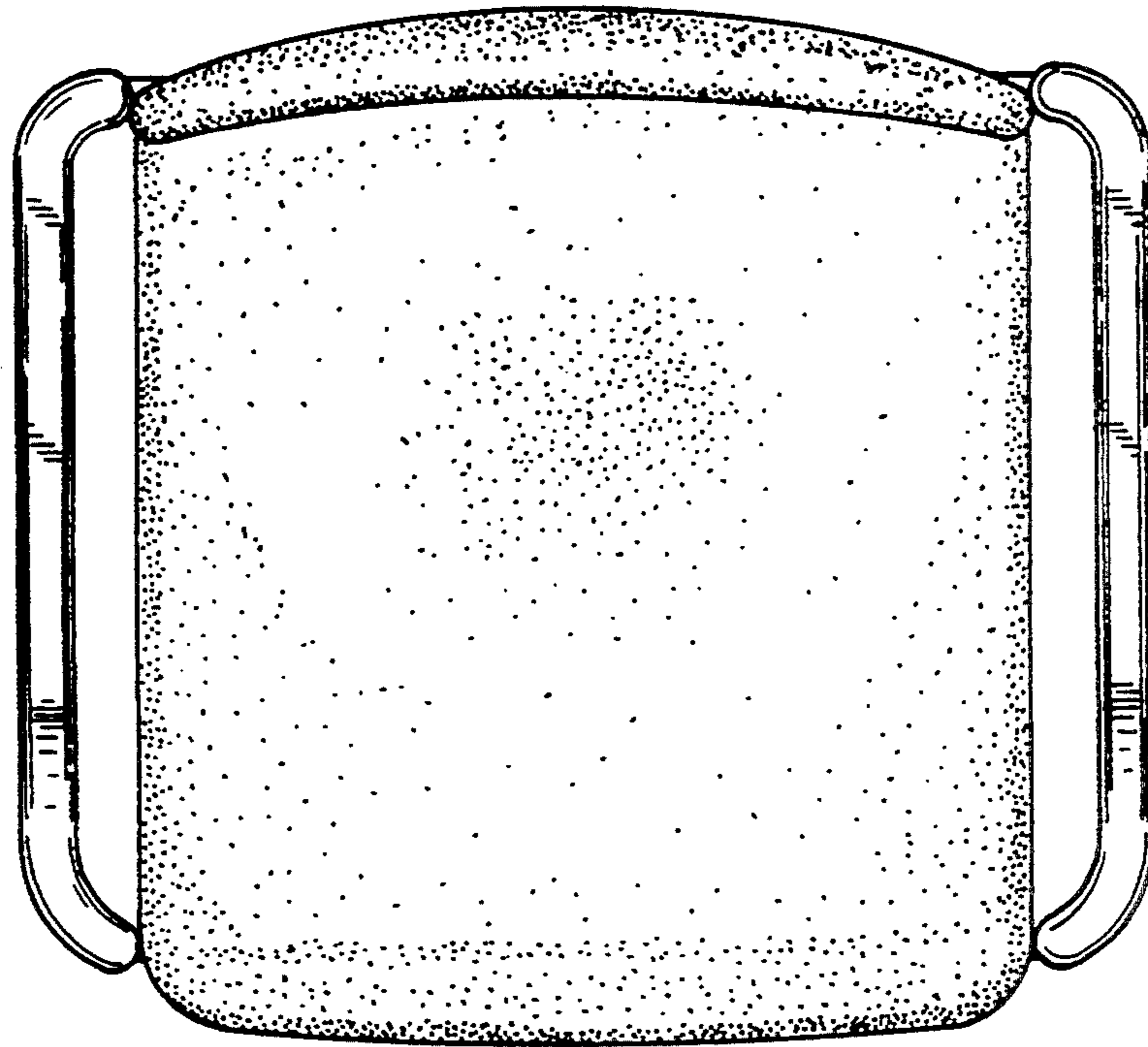


FIG. 6

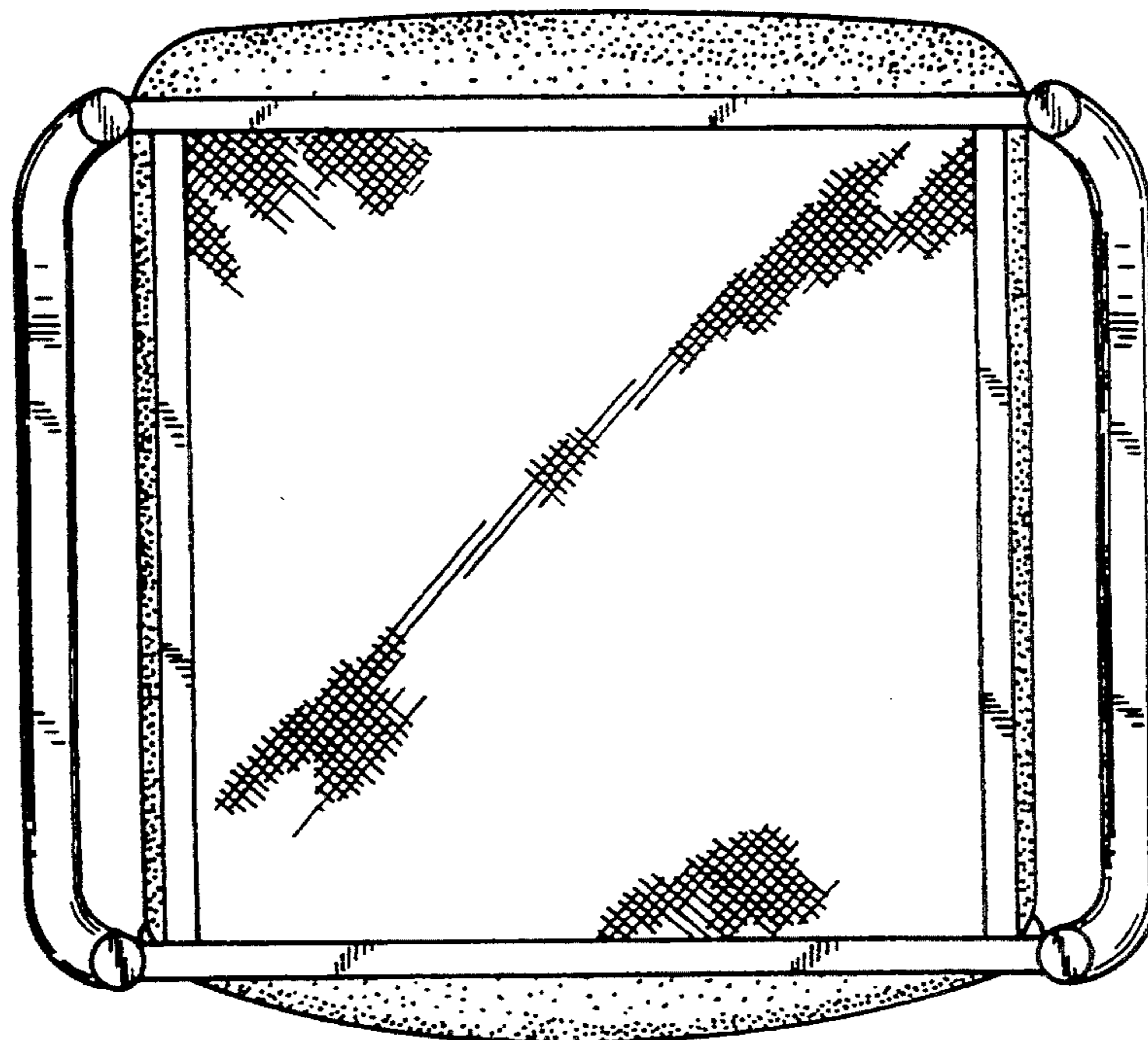


FIG. 7