



US00D361674S

# United States Patent [19]

[11] Patent Number: **Des. 361,674**

Carter, Sr.

[45] Date of Patent: **\*\* Aug. 29, 1995**

[54] **MULTI-PURPOSE, ROTATIONAL, VIBRATING, ACOUSTICAL CHAIR**

[76] Inventor: **Michael C. Carter, Sr.**, 119 Quincy St., Springfield, Mass. 01109

[\*\*] Term: **14 Years**

[21] Appl. No.: **18,707**

[22] Filed: **Feb. 14, 1994**

[52] U.S. Cl. .... **D6/364; D6/335; D6/360; D6/367**

[58] Field of Search ..... **D6/334, 335, 336, 360, D6/361, 364, 365, 367, 500, 501, 502; 297/344.19, 423.25**

[56] **References Cited**

**U.S. PATENT DOCUMENTS**

D. 176,813	1/1956	Parker	.....	D6/361
D. 211,523	6/1968	Duern	.....	D6/335
5,143,055	9/1992	Eakin	.....	128/33

*Primary Examiner*—Alan P. Douglas

*Assistant Examiner*—Gary D. Watson

[57] **CLAIM**

The ornamental design for a multi-purpose rotational, vibrating, acoustical chair, as shown and described.

**DESCRIPTION**

FIG. 1 is a perspective view of a multi-purpose, rotational, vibrating, acoustical chair showing my new design thereof;

FIG. 2 is a front elevational view;

FIG. 3 is a rear elevational view;

FIG. 4 is a right side elevational view;

FIG. 5 is a left side elevational view;

FIG. 6 is a top plan view;

FIG. 7 is a bottom plan view;

FIG. 8 is a right side elevational view showing the headrest member in extended position, the left side being a mirror image of the right side;

FIG. 9 is a partial front elevational view with the headrest in an extended position; and,

FIG. 10 is a partial rear elevational view with the headrest in an extended position.

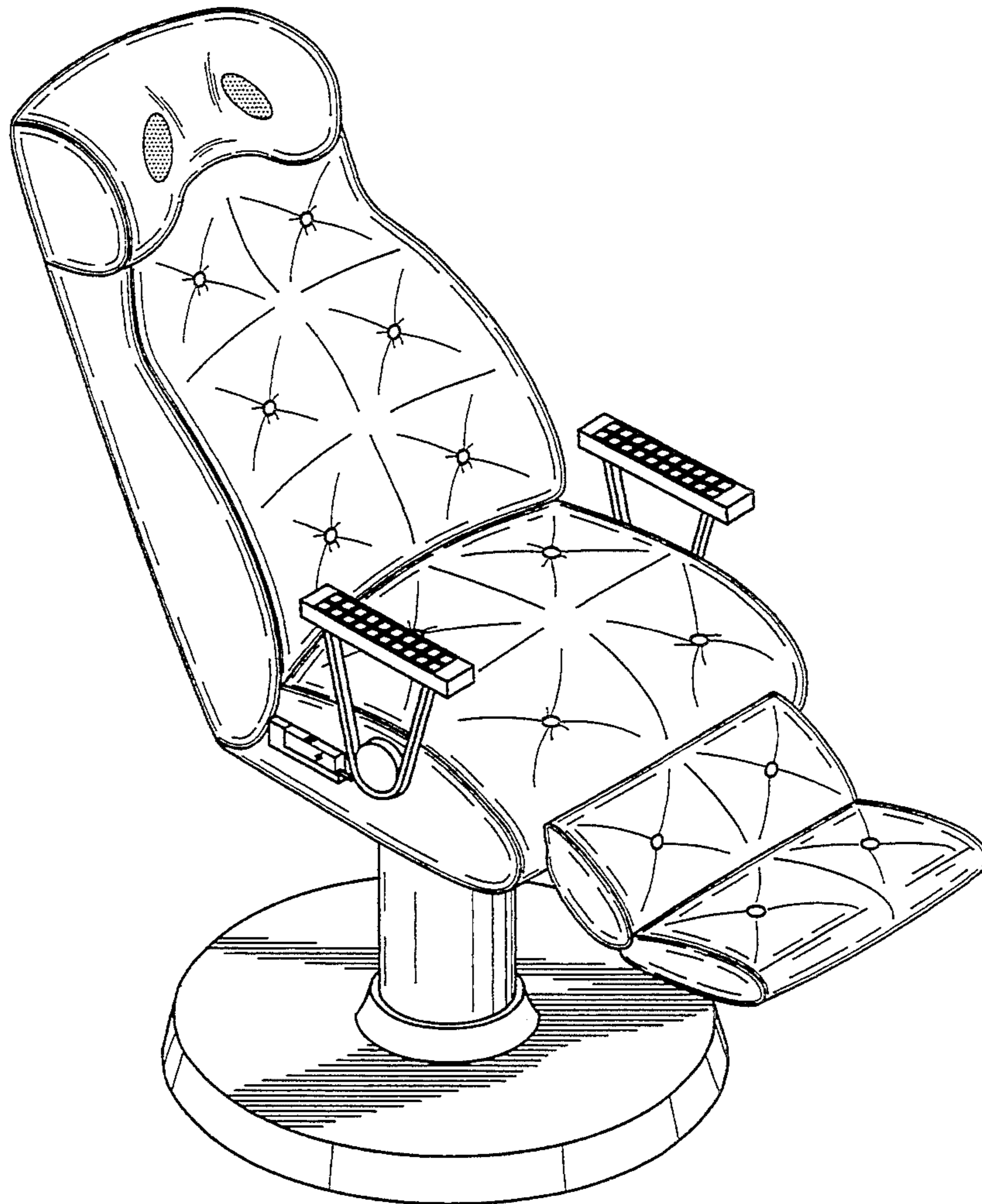
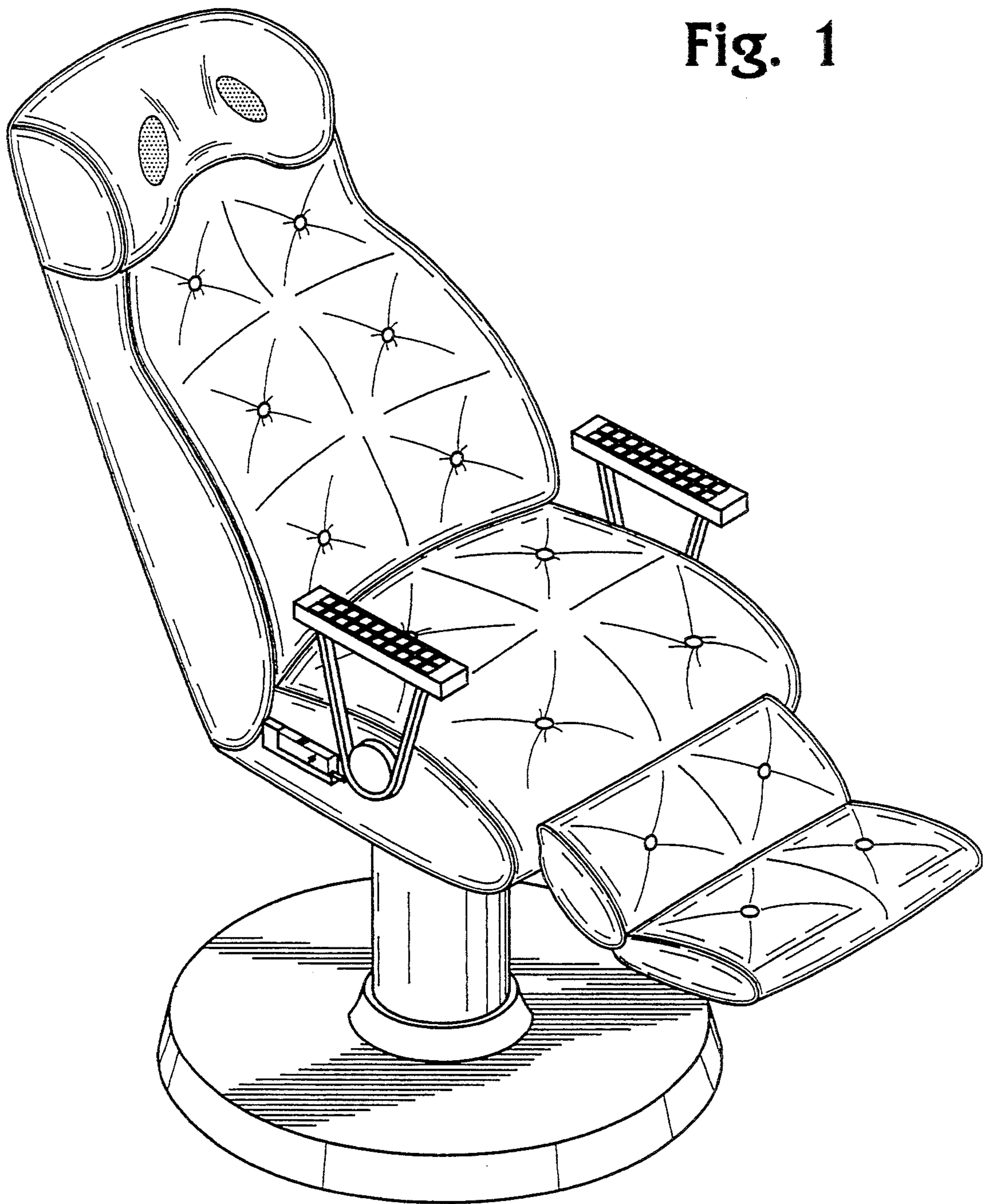


Fig. 1



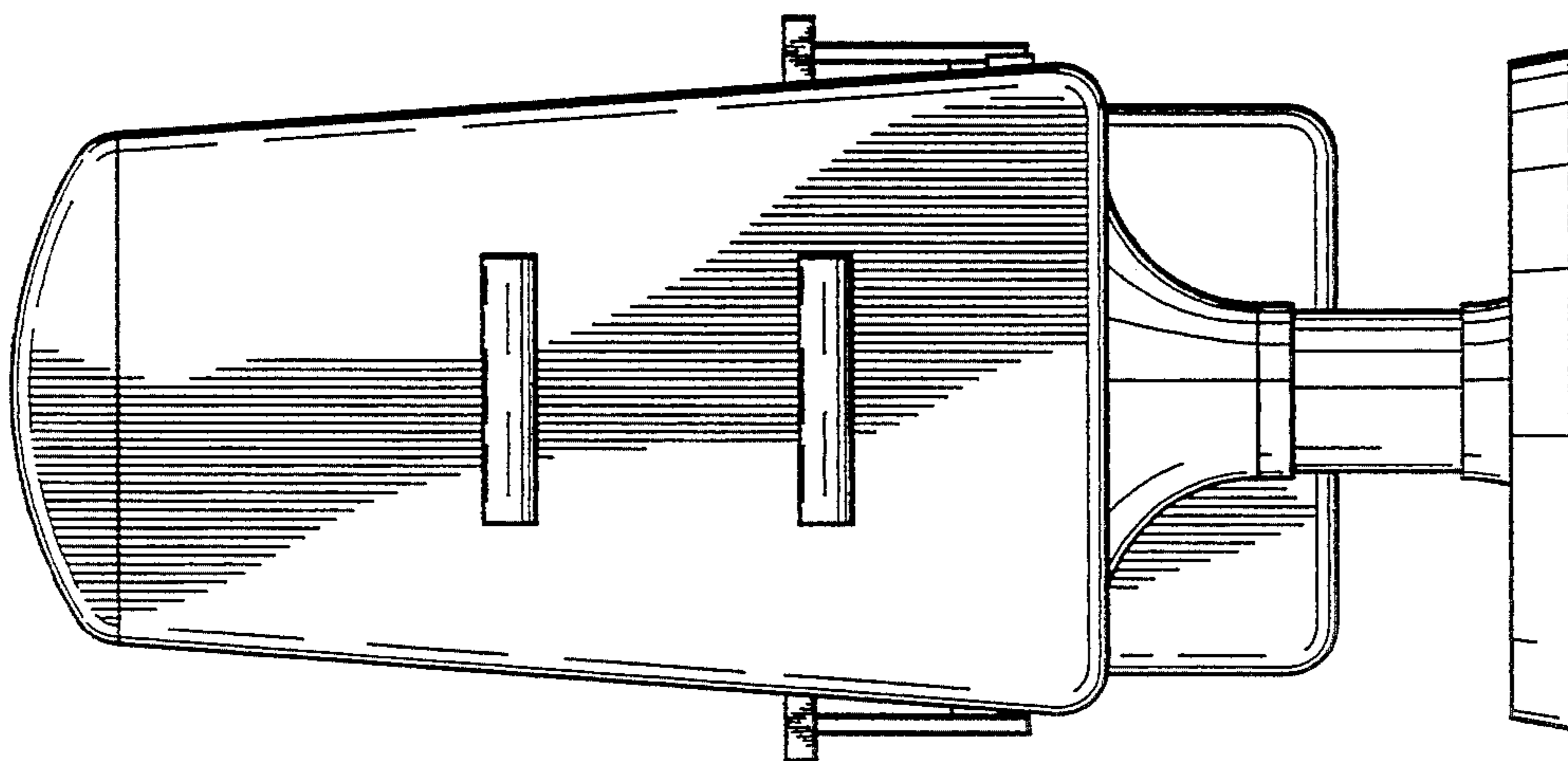


Fig. 3

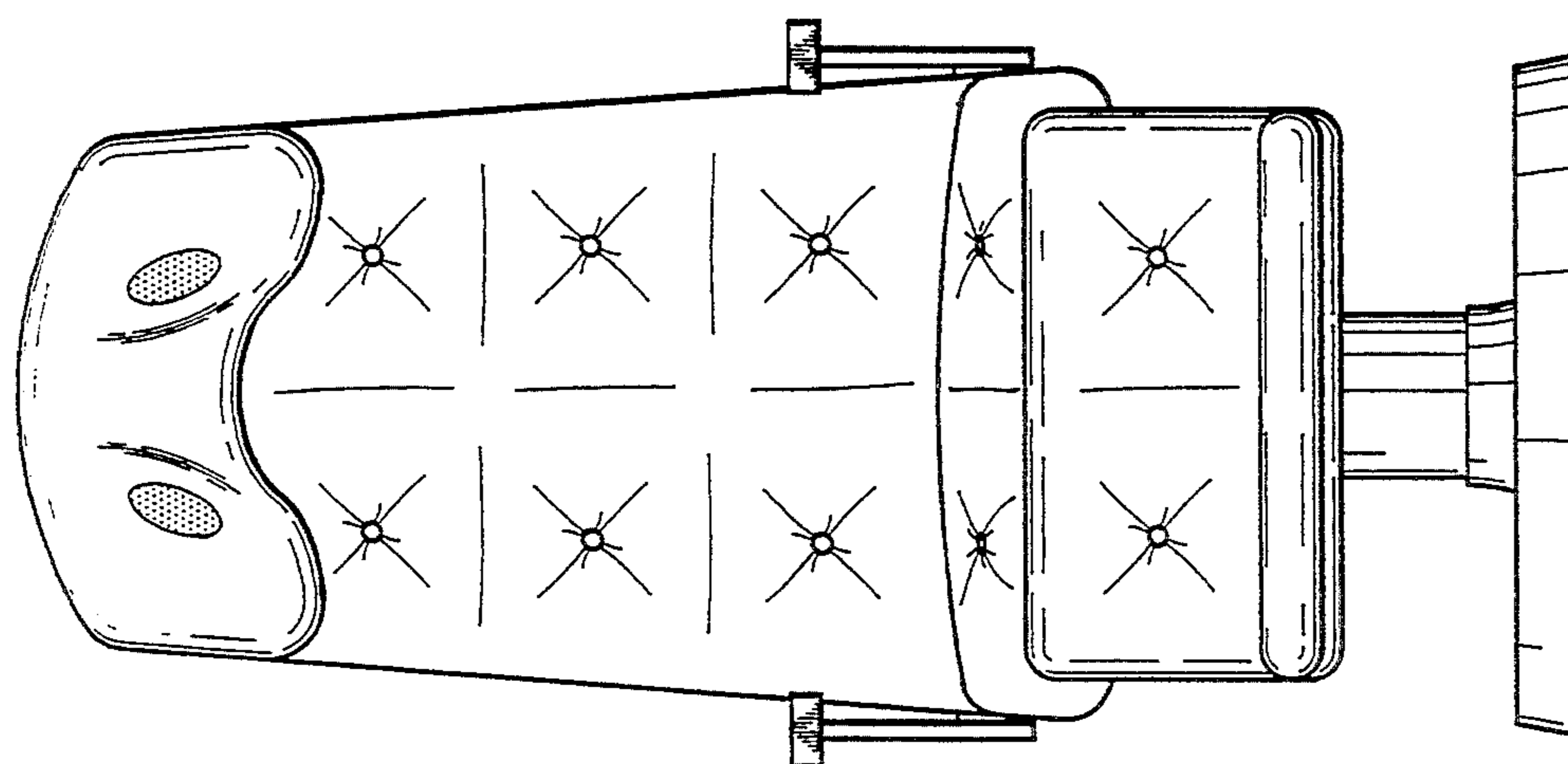


Fig. 2

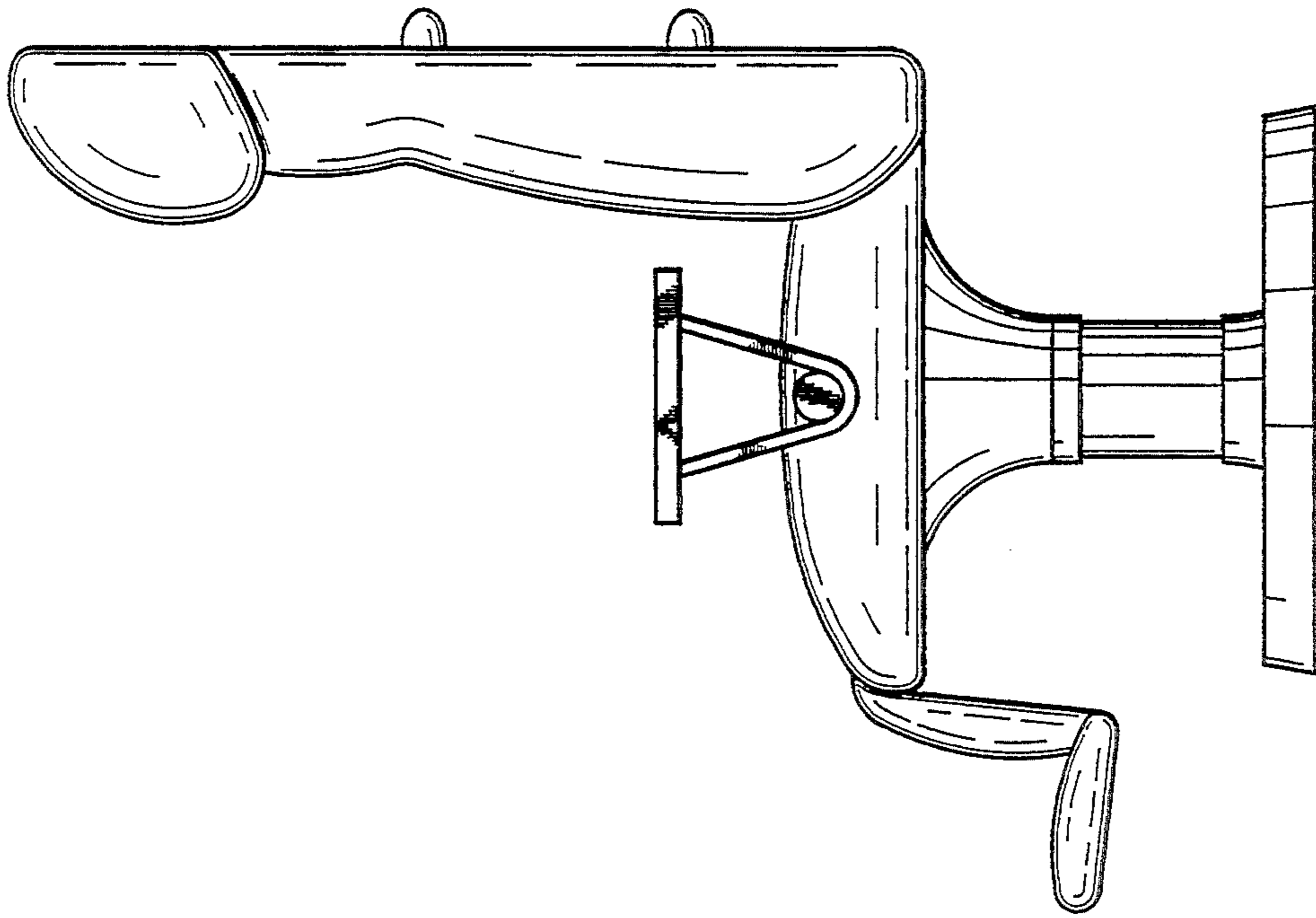


Fig. 5

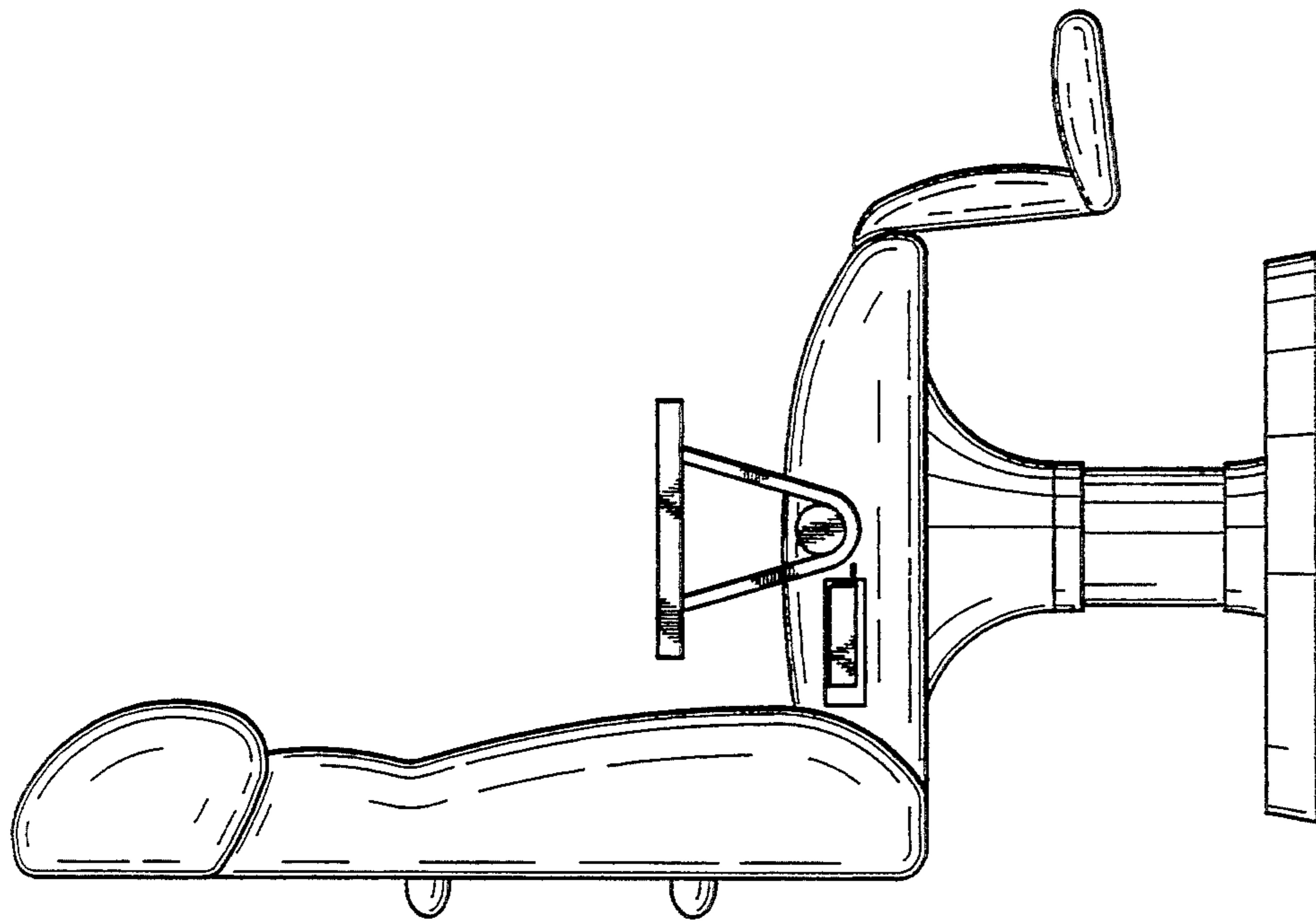


Fig. 4

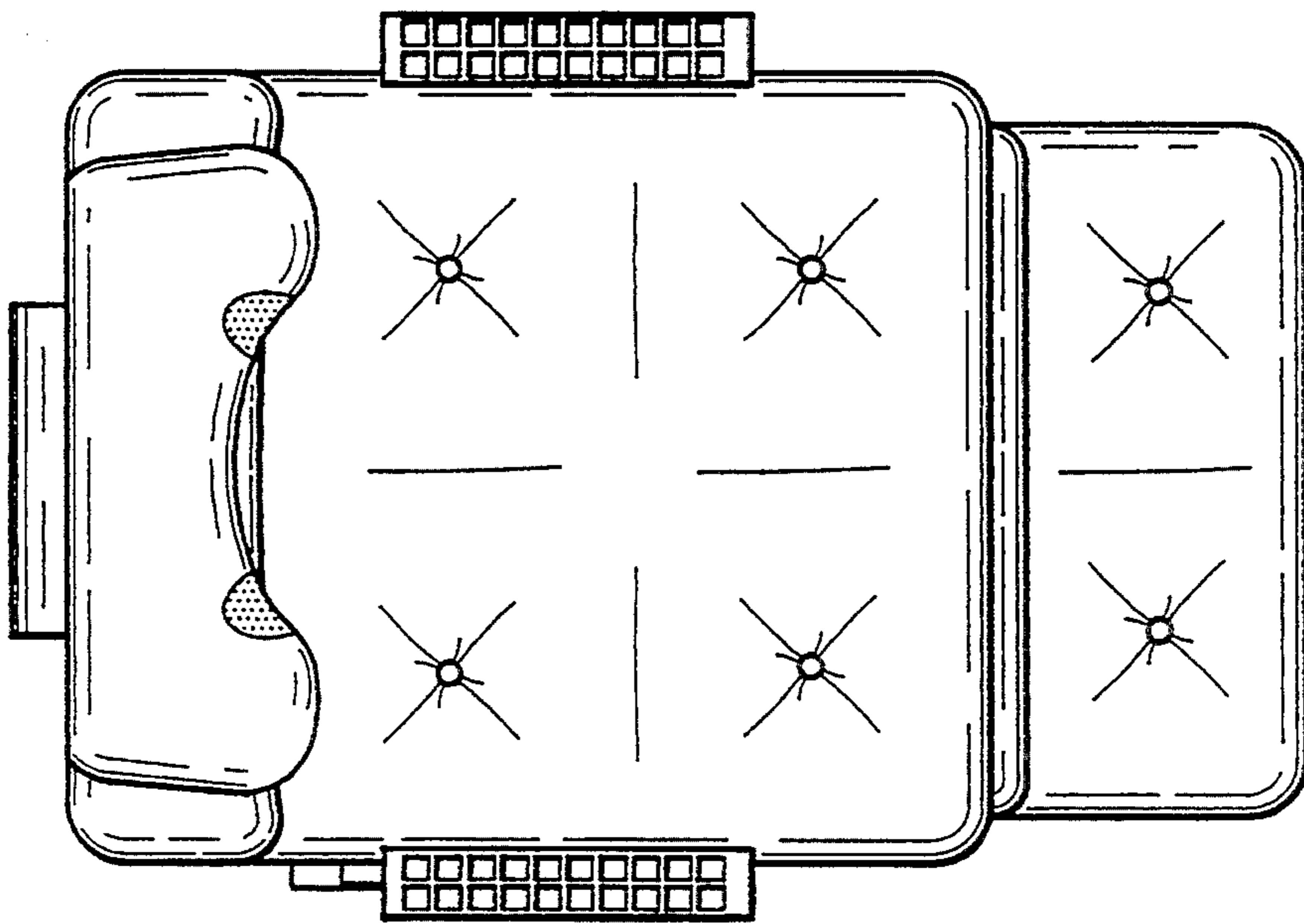


Fig. 6

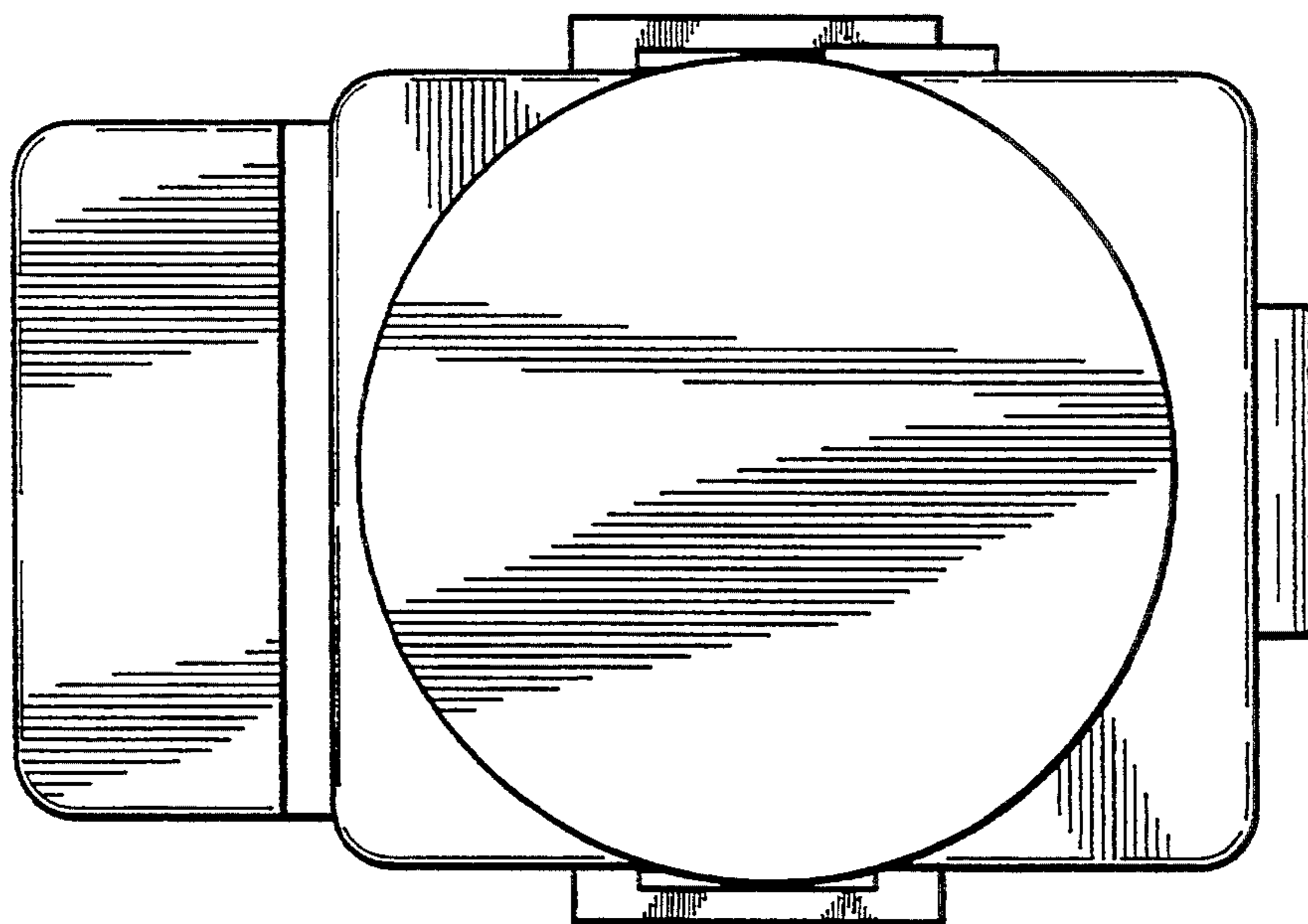


Fig. 7

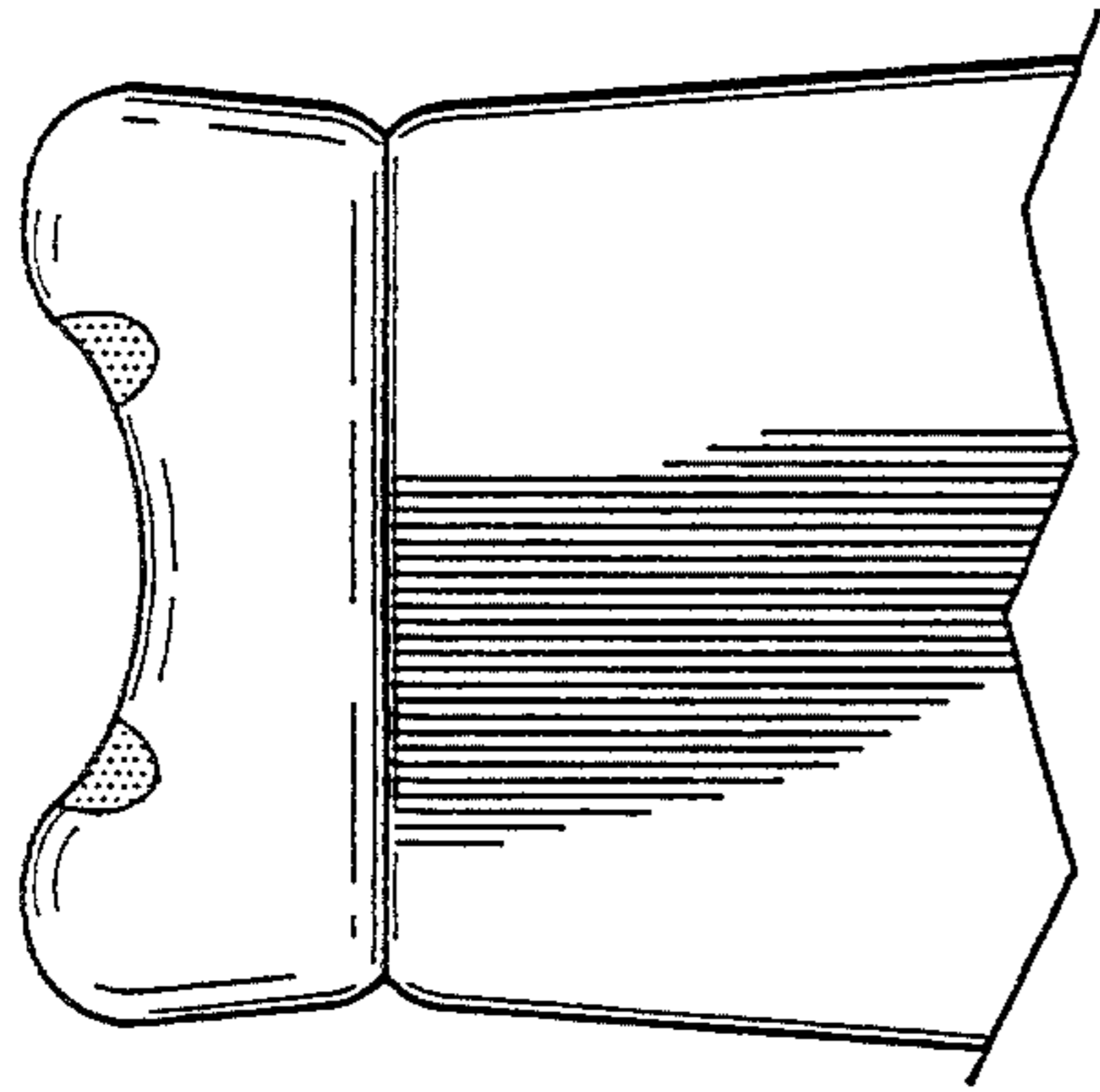


Fig. 10

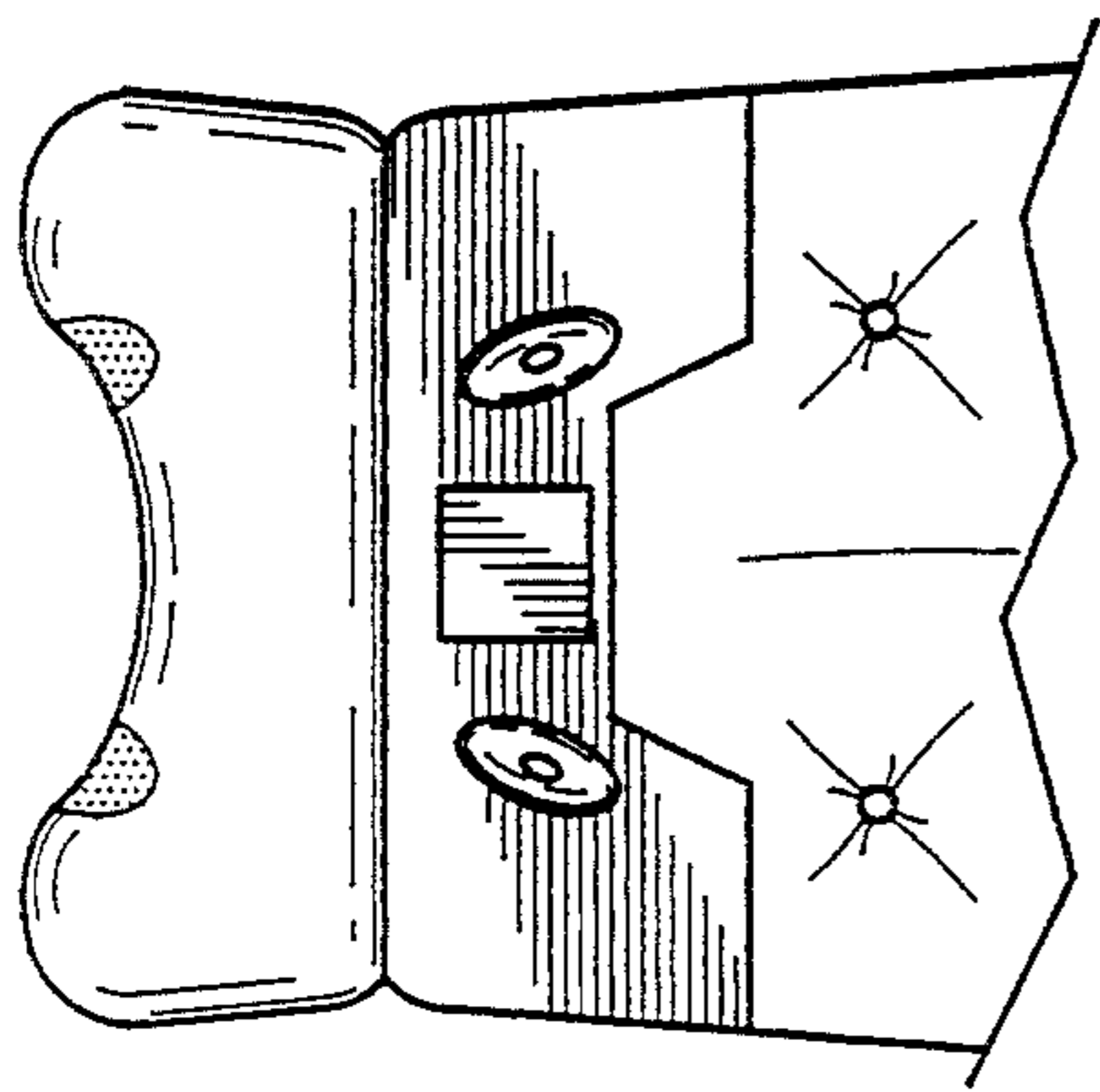


Fig. 9

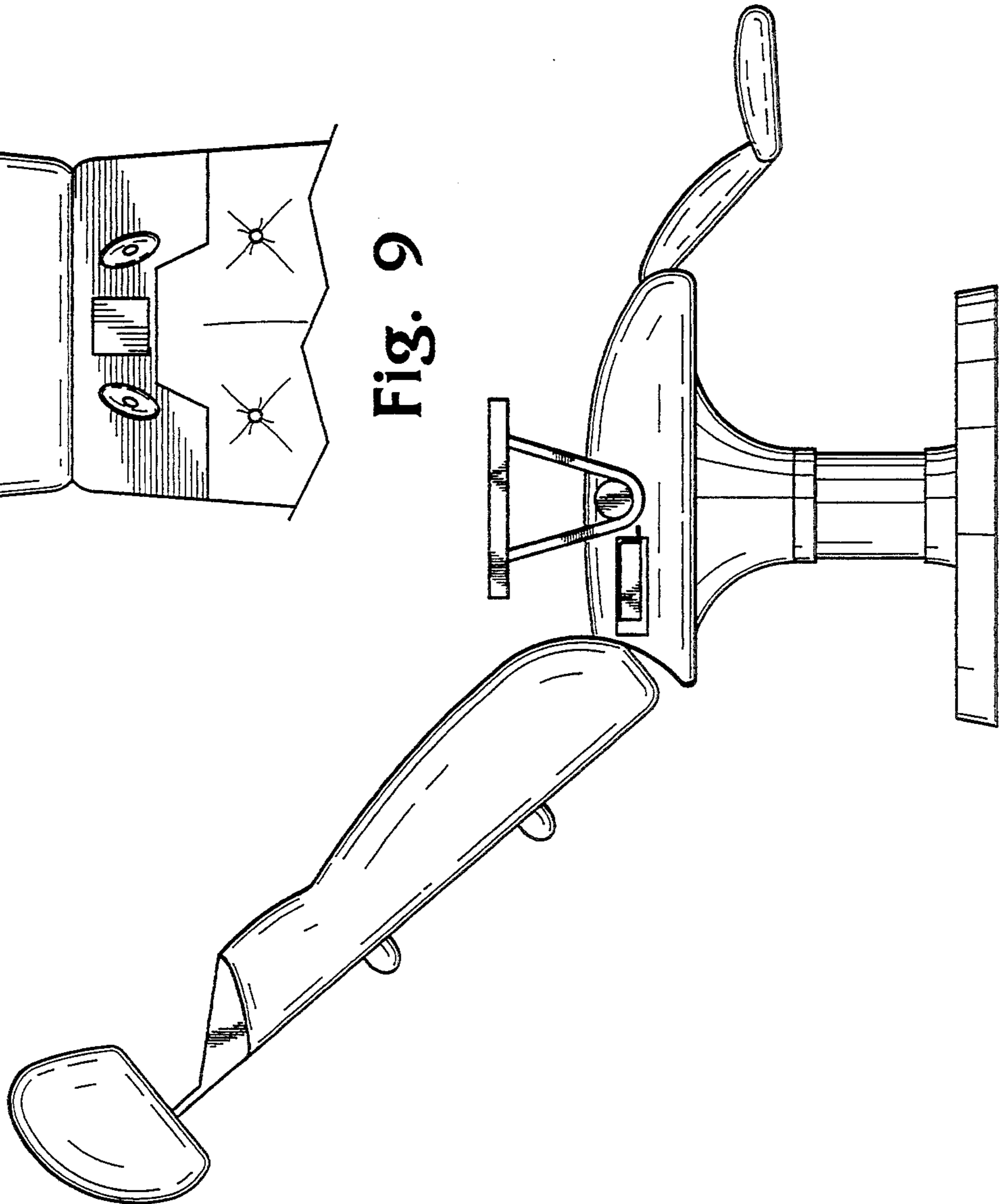


Fig. 8