



US00D361671S

United States Patent [19] Sharpe

[11] Patent Number: **Des. 361,671**

[45] Date of Patent: **** Aug. 29, 1995**

[54] **ROBE HOOK**

[75] Inventor: **Norton Sharpe**, Los Angeles, Calif.

[73] Assignee: **Franklin Brass Manufacturing Company**, Los Angeles, Calif.

[**] Term: **14 Years**

[21] Appl. No.: **12,081**

[22] Filed: **Aug. 23, 1993**

[52] U.S. Cl. **D6/323**

[58] Field of Search **D6/323, 531, 534, 535, D6/546, 550; D8/300, 307, 310, 352, 367, 368, 373, 380; 74/553; 211/87; 248/304**

[56] **References Cited**

U.S. PATENT DOCUMENTS

- D. 271,464 11/1983 Carlson D8/352 X
- D. 282,885 3/1986 Jarrett D6/323
- D. 296,175 6/1988 Fayerman .
- D. 296,637 7/1988 Fayerman .
- D. 299,096 12/1988 Fayerman .
- D. 299,097 12/1988 Fayerman .
- D. 299,098 12/1988 Fayerman .
- D. 303,333 9/1989 Fayerman .
- D. 330,636 11/1992 Sharpe D8/367 X
- 1,186,233 6/1916 Anderson 74/553 X
- 5,301,823 4/1994 Kingery 211/87

FOREIGN PATENT DOCUMENTS

- 1357111 of 1964 France 248/304

OTHER PUBLICATIONS

Baldwin Hardware Corporation Catalog, Dt. Feb. 1985 Utility Hook No. 0757 (top, center) p. a/40.
 Catalogue of Baldwin Hardware Corporation. Publication date believed to be Jan., 1992. Pages entitled "Lexington," Georgetown, and Chesapeake.
 Catalogue entitled "Baltic" by Farnet. Believed published prior to Jul., 1992.
 Catalogue entitled "Chantal" by Farnet. Believed published prior to Jul., 1992.
 Catalogue entitled "Harrington Traditional," believed published prior to Jul., 1992.
 Catalogue entitled "Displays" by Ginger. Believed published prior to Jul., 1992.

Primary Examiner—Terry A. Wallace
Assistant Examiner—Nanda Bondade
Attorney, Agent, or Firm—Spensley Horn Jubas & Lubitz

[57] **CLAIM**

The design for a robe hook, as shown and described.

DESCRIPTION

FIG. 1 is a perspective view of a robe hook showing my new design;
 FIG. 2 is a front elevational view thereof;
 FIG. 3 is a right side elevational view thereof, the opposite side being identical;
 FIG. 4 is a top plan view thereof, the bottom view being identical; and,
 FIG. 5 is a rear elevational view thereof.

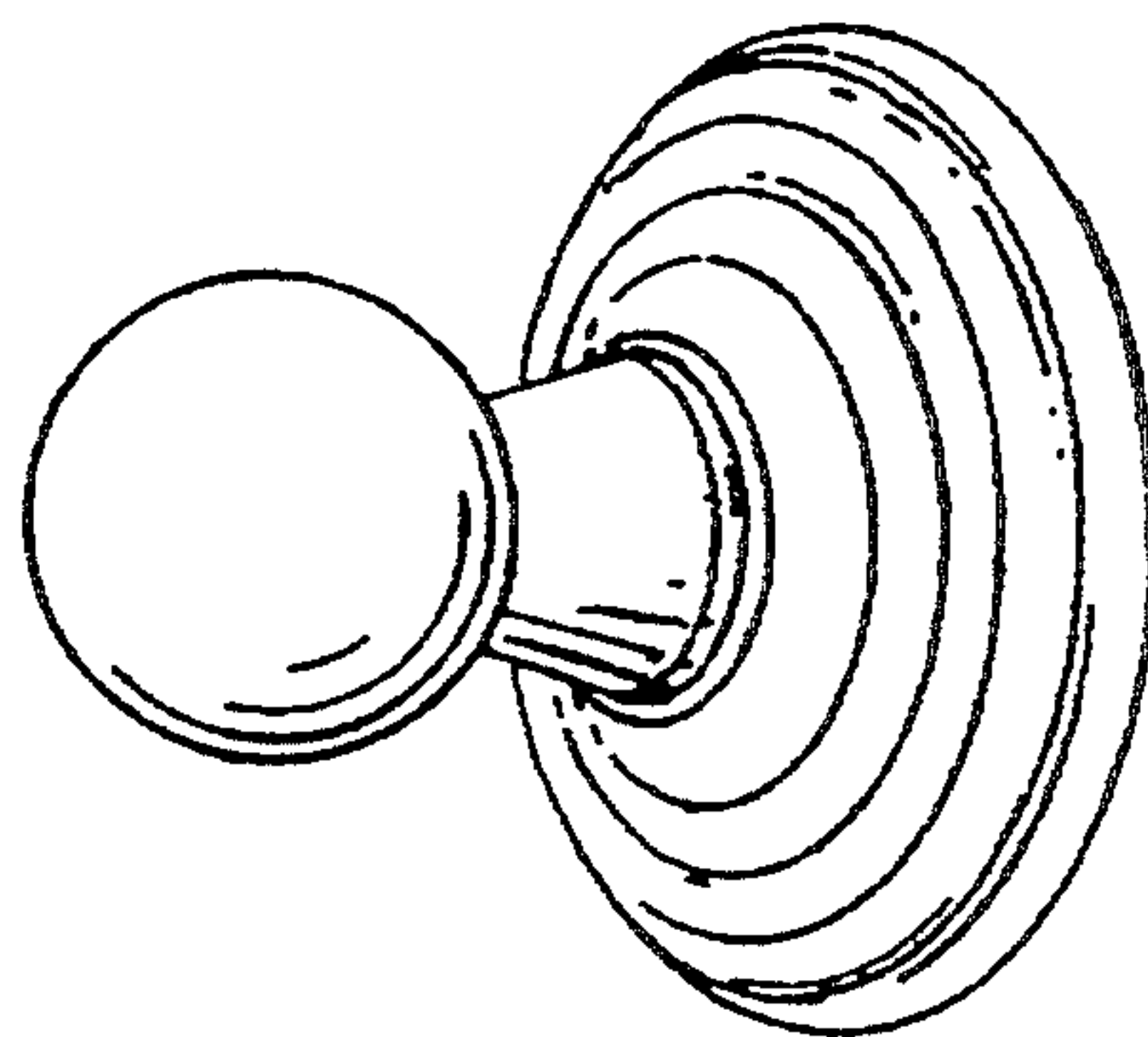


Fig. 1

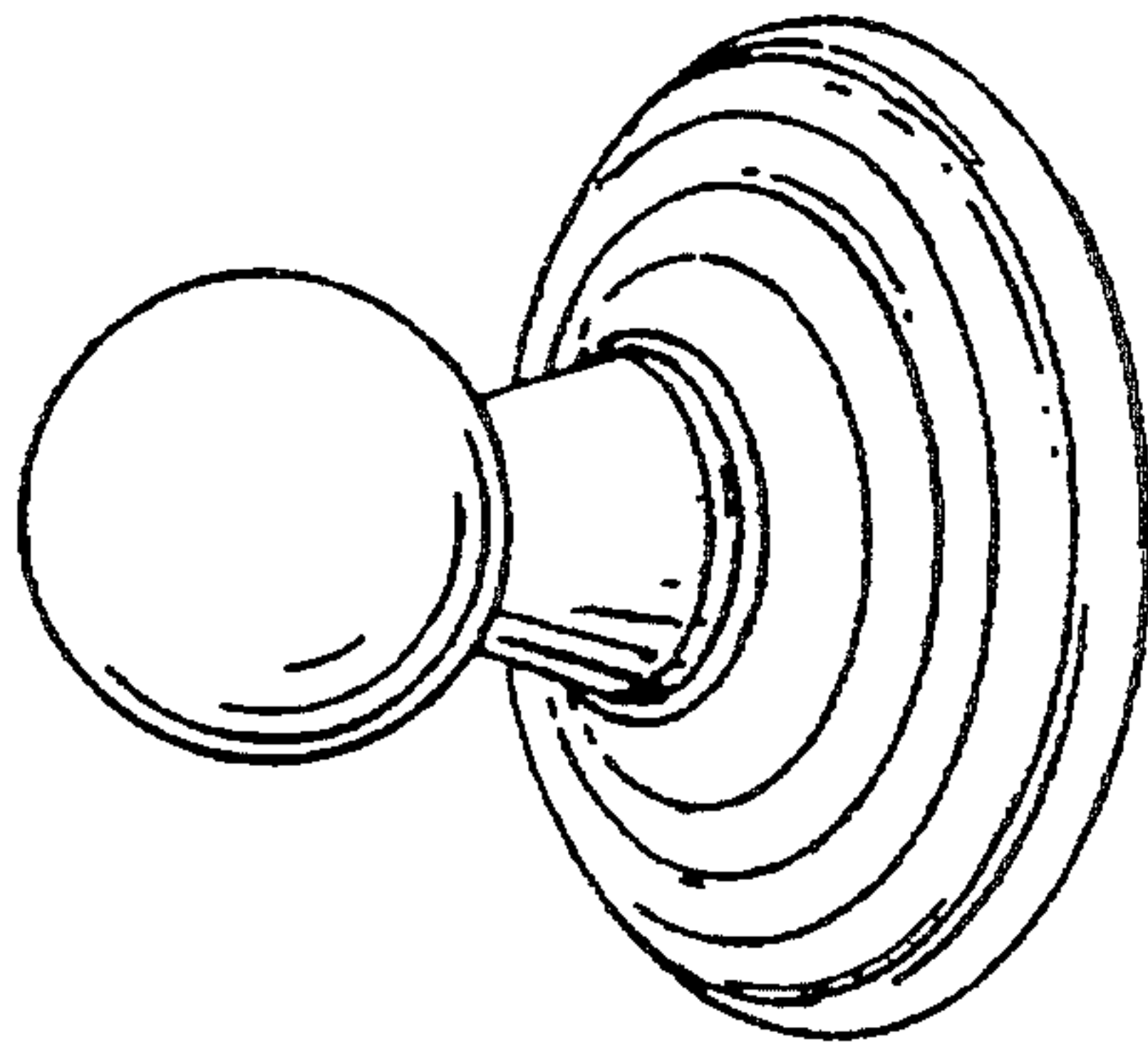


Fig. 2

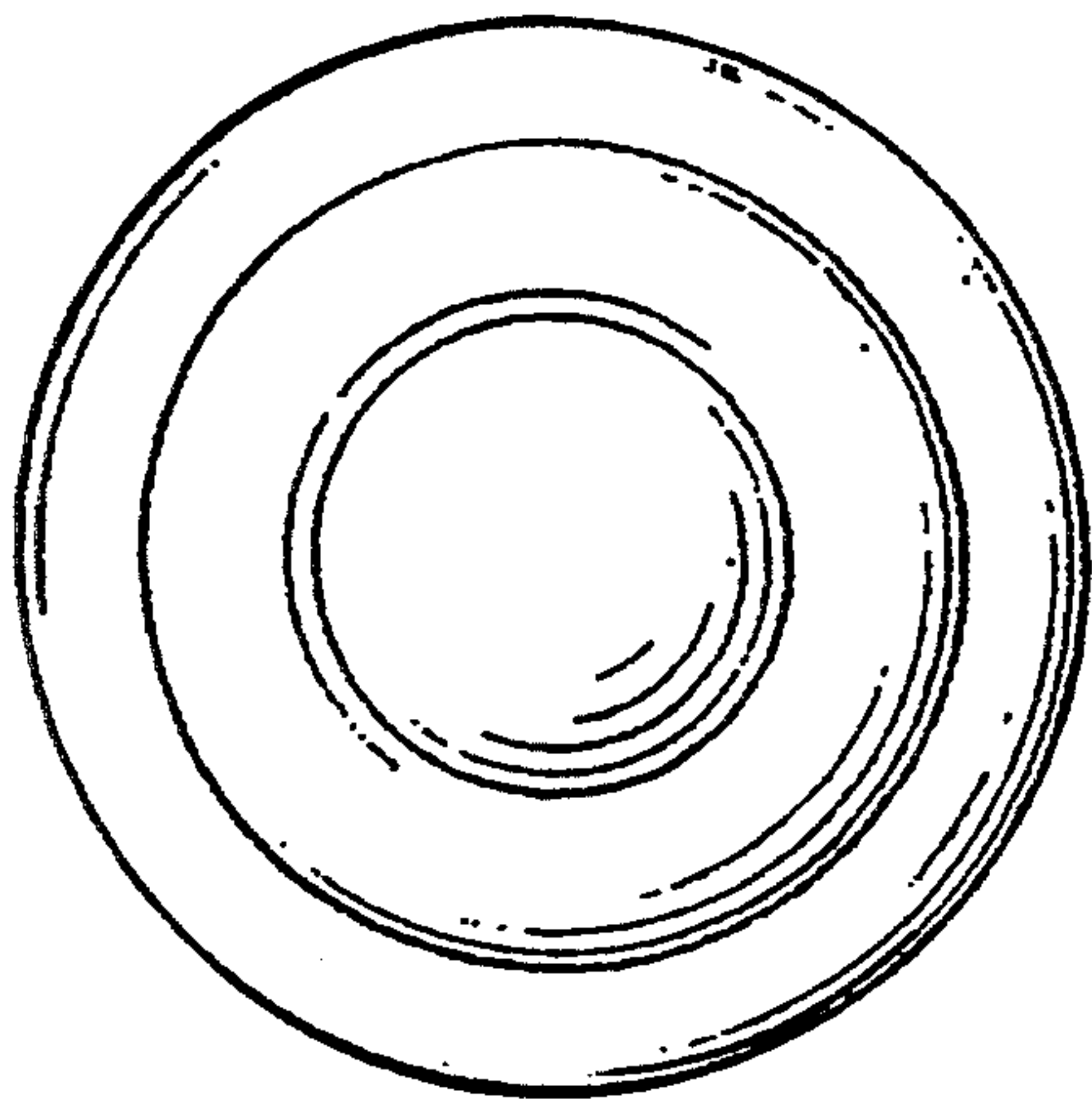


Fig. 3

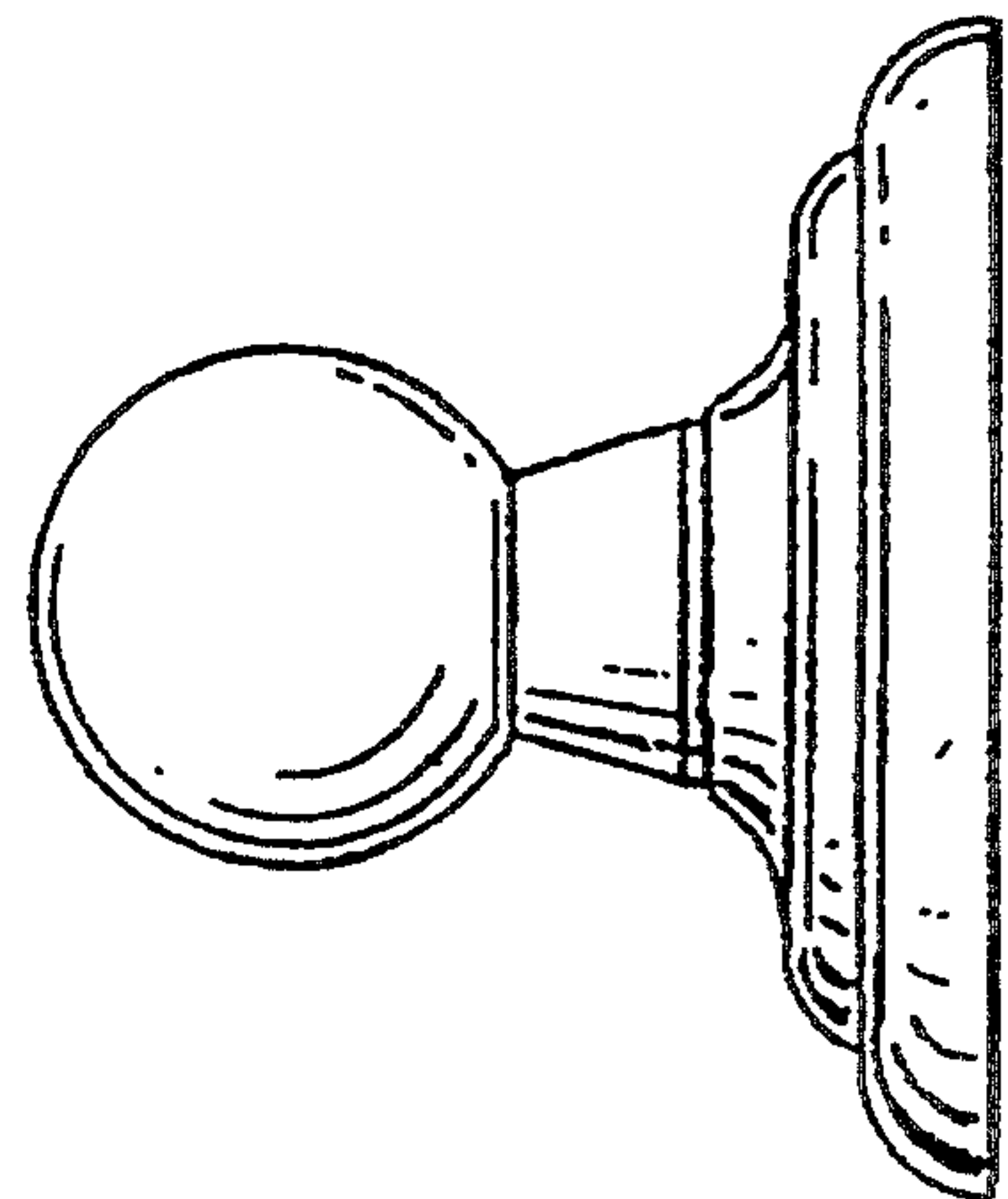


Fig. 4

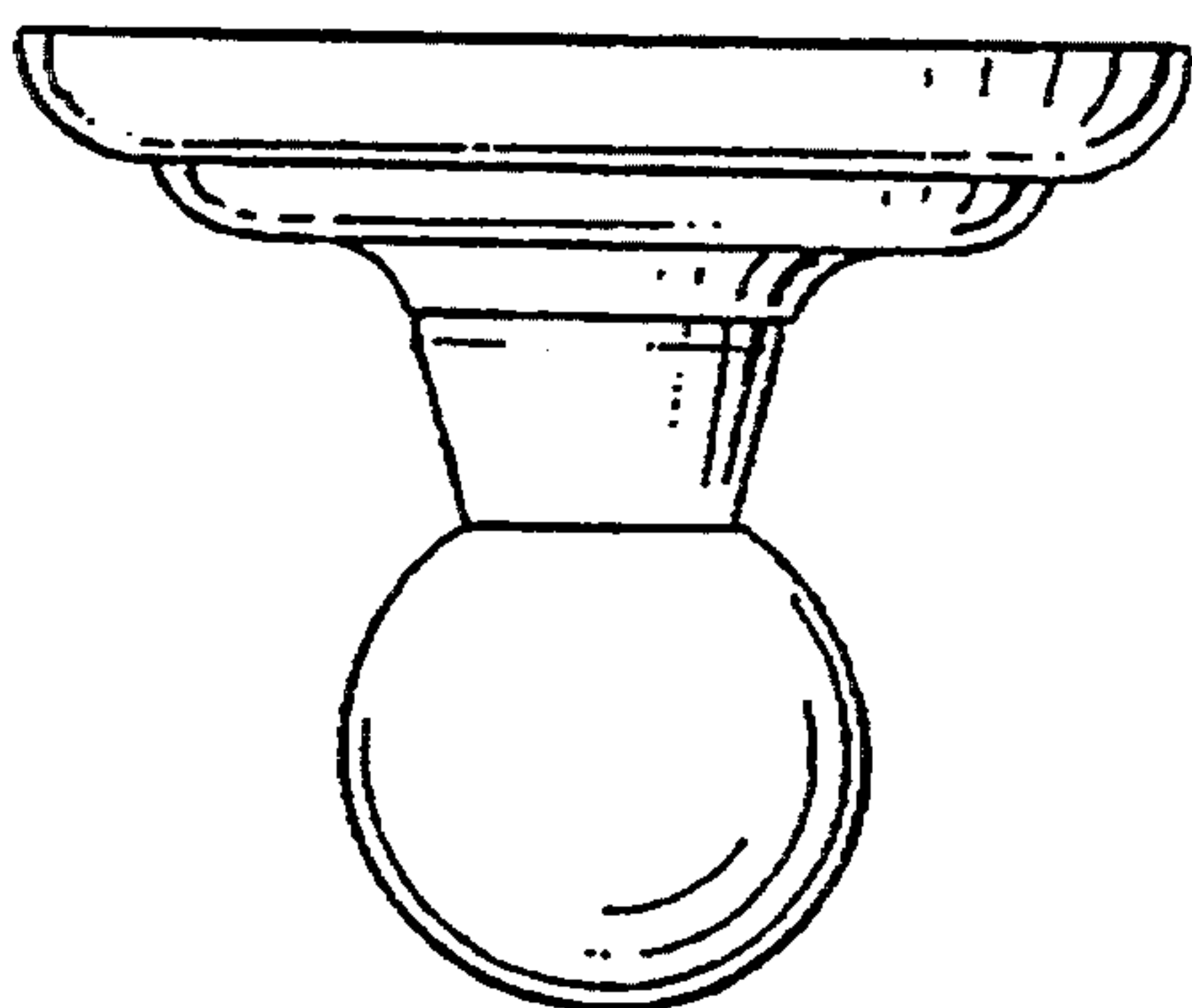


Fig. 5

