



US00D361669S

# United States Patent [19]

[11] Patent Number: Des. 361,669

Chan et al.

[45] Date of Patent: \*\* Aug. 29, 1995

[54] HANDLE AND HEAD UNIT FOR A ROUND BRUSH

[75] Inventors: Eric Chan, New York, N.Y.; Eric Anderson, Maplewood, N.J.

[73] Assignee: Goody Products, Inc., Kearny, N.J.

[\*\*] Term: 14 Years

[21] Appl. No.: 7,132

[22] Filed: Apr. 15, 1993

[52] U.S. Cl. .... D4/138; D4/128

[58] Field of Search ..... D28/10, 26, 35; D4/128, D4/136; 15/143.1, 159.1, 160, 186-188; 132/120, 212, 271, 313

[56] **References Cited**

**U.S. PATENT DOCUMENTS**

- D. 250,069 10/1978 Wachtel ..... D4/128
- D. 337,437 7/1993 Lunderman ..... D4/138

**OTHER PUBLICATIONS**

Hong Kong Household, Aug. 1985, Brush-Item 388 on p. 15.

Fuller Brush Catalog ©1986, Rubber Based Styler-Item C on p. 4.

*Primary Examiner*—A. Hugo Word

*Assistant Examiner*—Lavone D. Tabor

*Attorney, Agent, or Firm*—Foley & Lardner

[57] **CLAIM**

The ornamental design for a handle and head unit for a round brush, as shown and described.

**DESCRIPTION**

FIG. 1 is a top front perspective view of a handle and head unit for a round brush showing our new design;

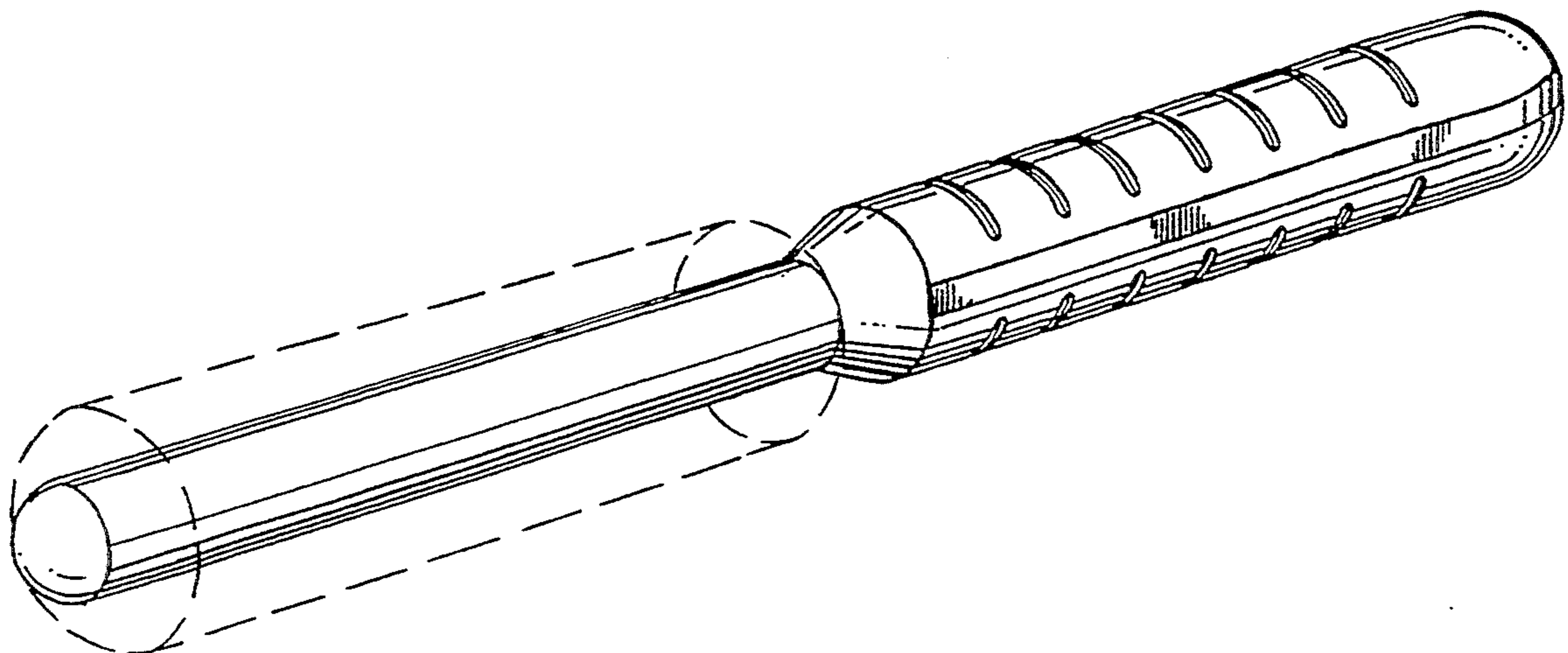
FIG. 2 is a front elevational view thereof;

FIG. 3 is a top plan view thereof, the bottom plan view being a mirror image of the top plan view shown;

FIG. 4 is a right side elevational view thereof, the left side being a mirror image of the right side shown; and,

FIG. 5 is a rear elevational view thereof.

Outlines of the bristles are shown in broken lines in the figures for illustrative purposes only and do not form of the design claimed.



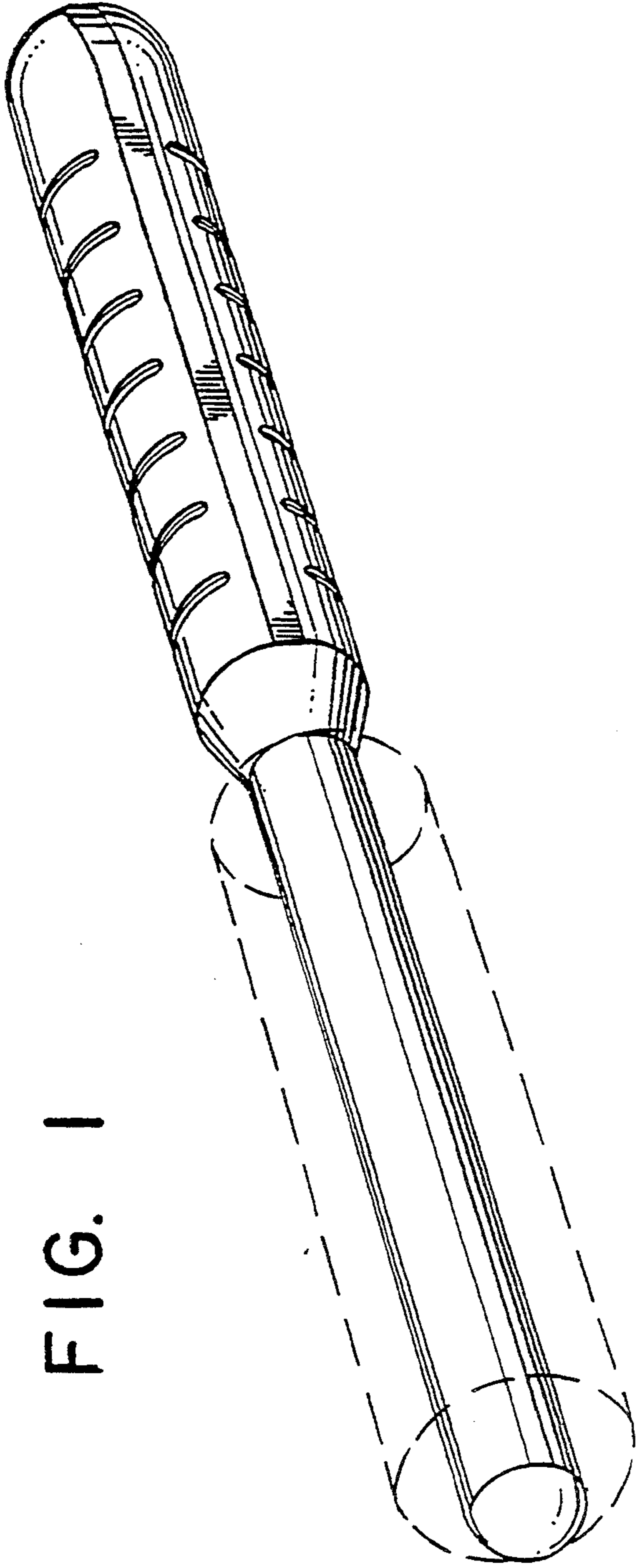


FIG. 1

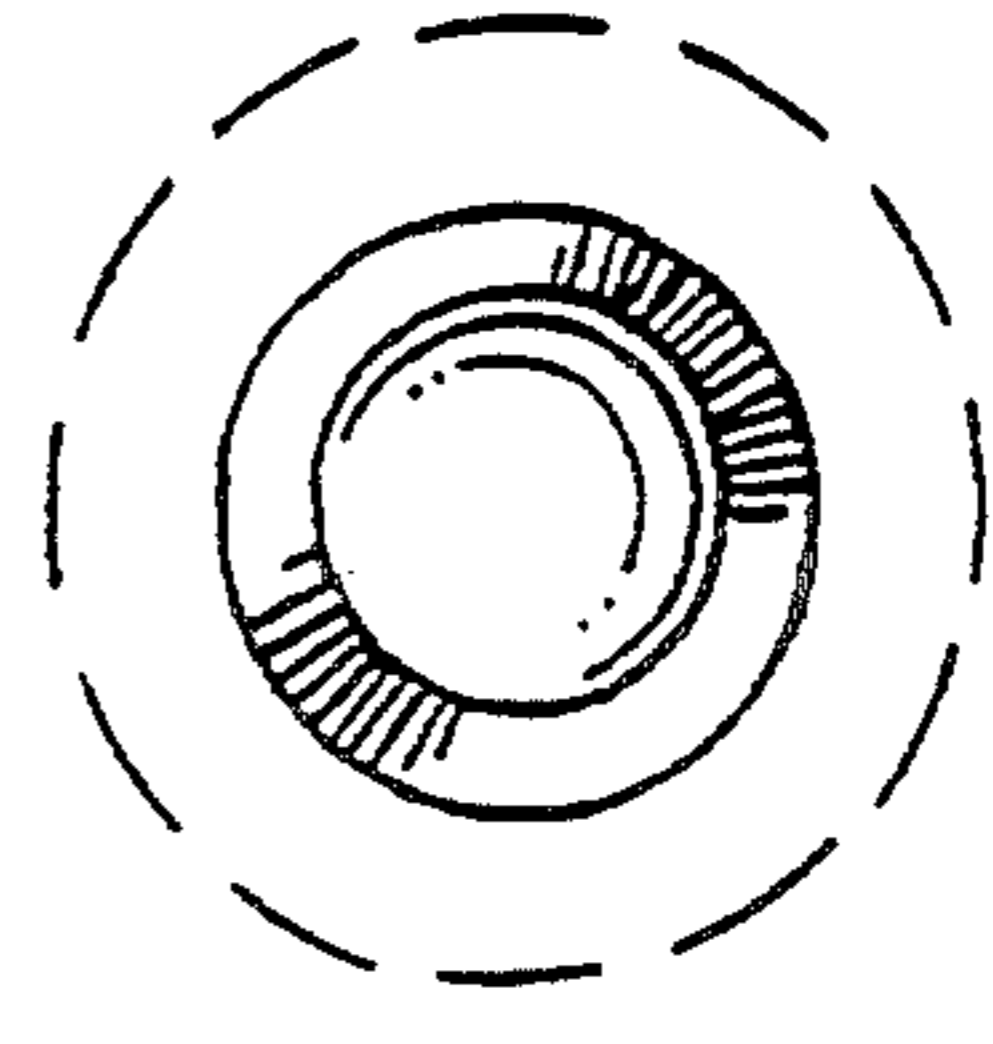


FIG. 2

FIG. 3

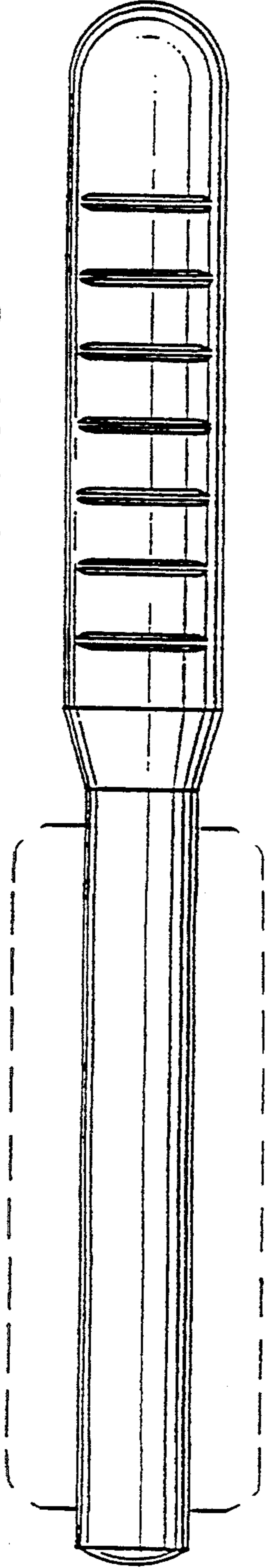


FIG. 4

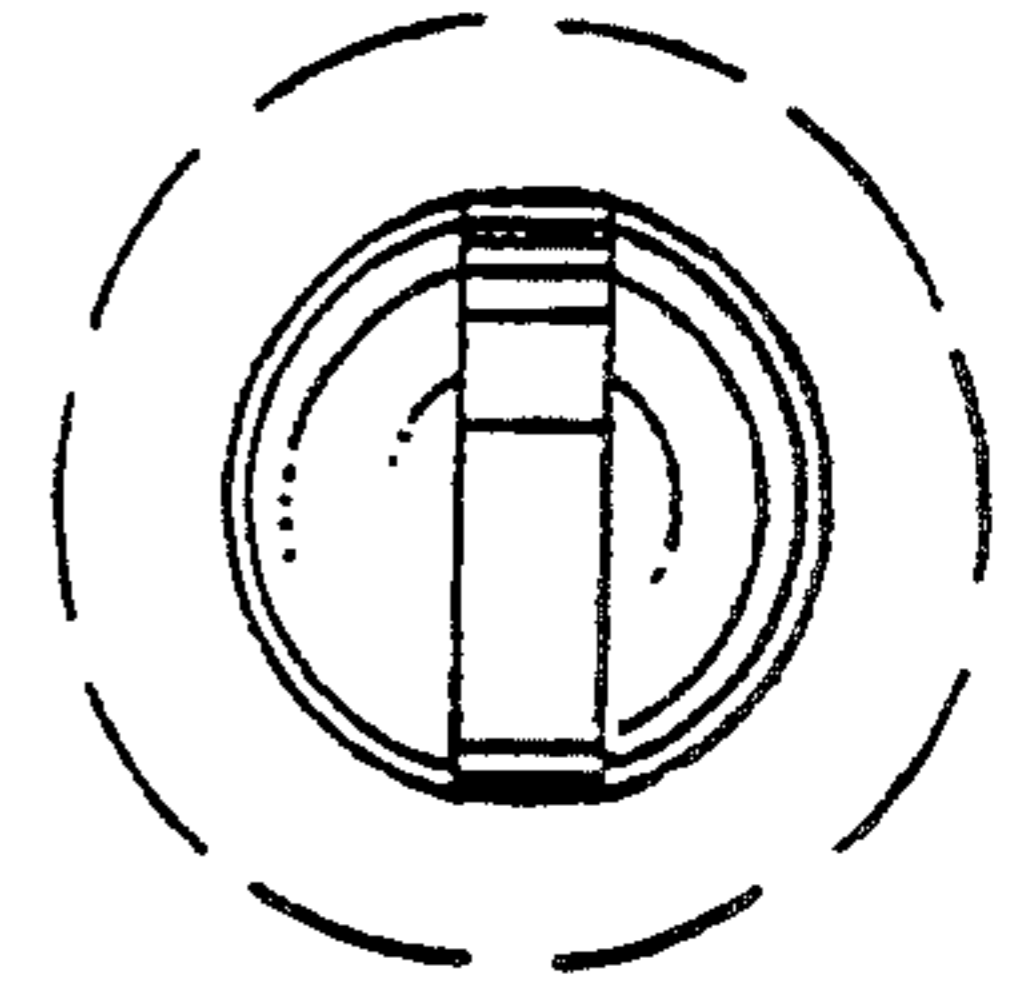
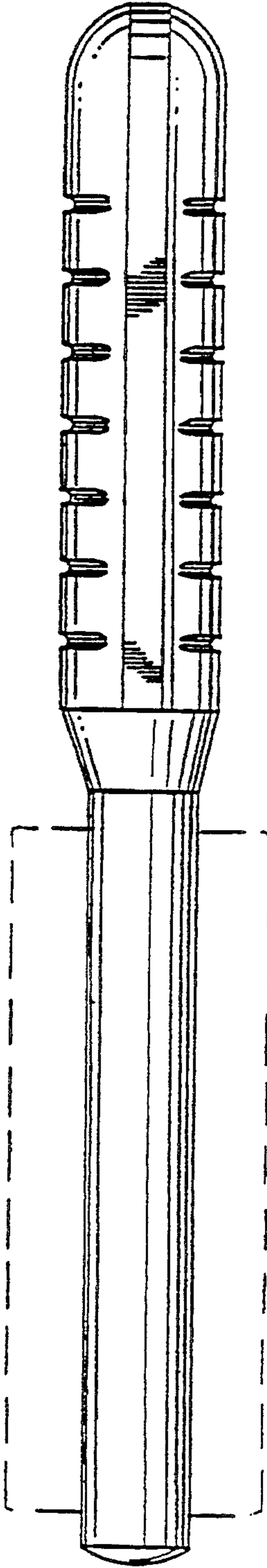


FIG. 5