



US00D361667S

United States Patent [19]

[11] Patent Number: **Des. 361,667**

Brown

[45] Date of Patent: **** Aug. 29, 1995**

[54] **BASKETBALL COURT LINE MARKER**

| | | | |
|-----------|---------|---------------|-----------|
| 1,931,848 | 10/1933 | Lane | 401/21 |
| 2,988,763 | 6/1961 | Sweet | 401/219 X |
| 3,112,512 | 12/1963 | Arrault | 401/219 |

[76] Inventor: **Tom Brown, 500-2 Magnolia Dr., Mt. Sterling, Ky. 40353**

Primary Examiner—A. Hugo Word
Assistant Examiner—Lavone D. Tabor
Attorney, Agent, or Firm—H. Jay Spiegel

[**] Term: **14 Years**

[21] Appl. No.: **15,375**

[57] **CLAIM**

[22] Filed: **Nov. 16, 1993**

The ornamental design for a basketball court line marker, as shown and described.

[52] U.S. Cl. **D4/122**

[58] Field of Search D4/114, 122, 199;
D15/13; D21/235; 15/114, 166; 401/21-22, 48,
147, 208, 218-220; 404/93-94

DESCRIPTION

[56] **References Cited**

FIG. 1 shows a perspective view of the present invention;
FIG. 2 shows a side view of the present invention;
FIG. 3 shows a view from the other side of the present invention; and,
FIG. 4 shows a rear view of my design.

U.S. PATENT DOCUMENTS

632,891 9/1899 Burnett 401/220

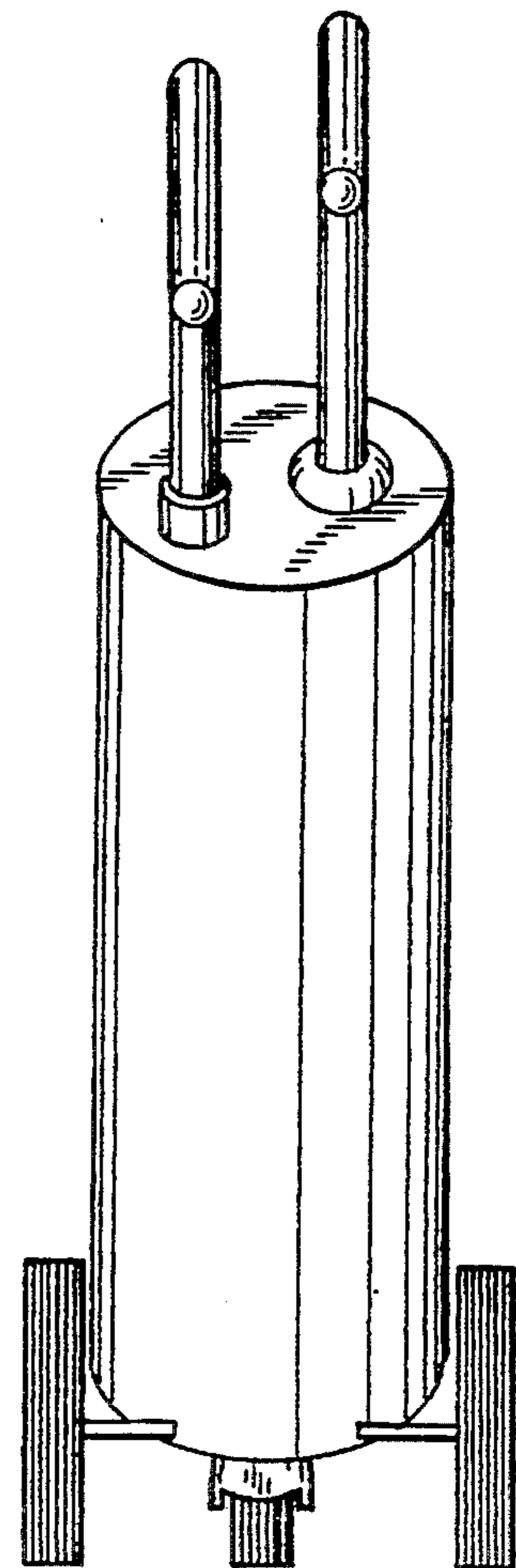
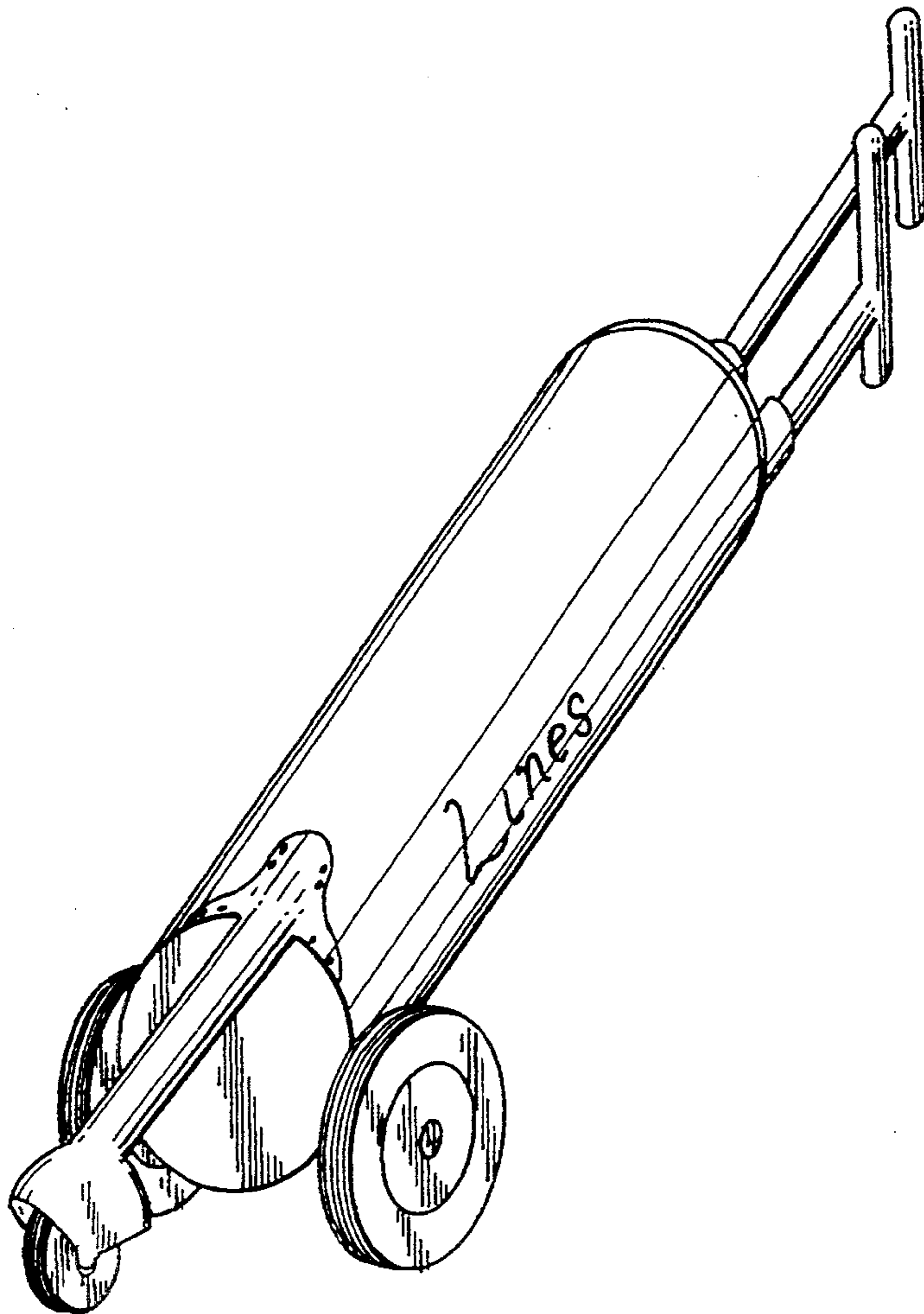


FIG. 1

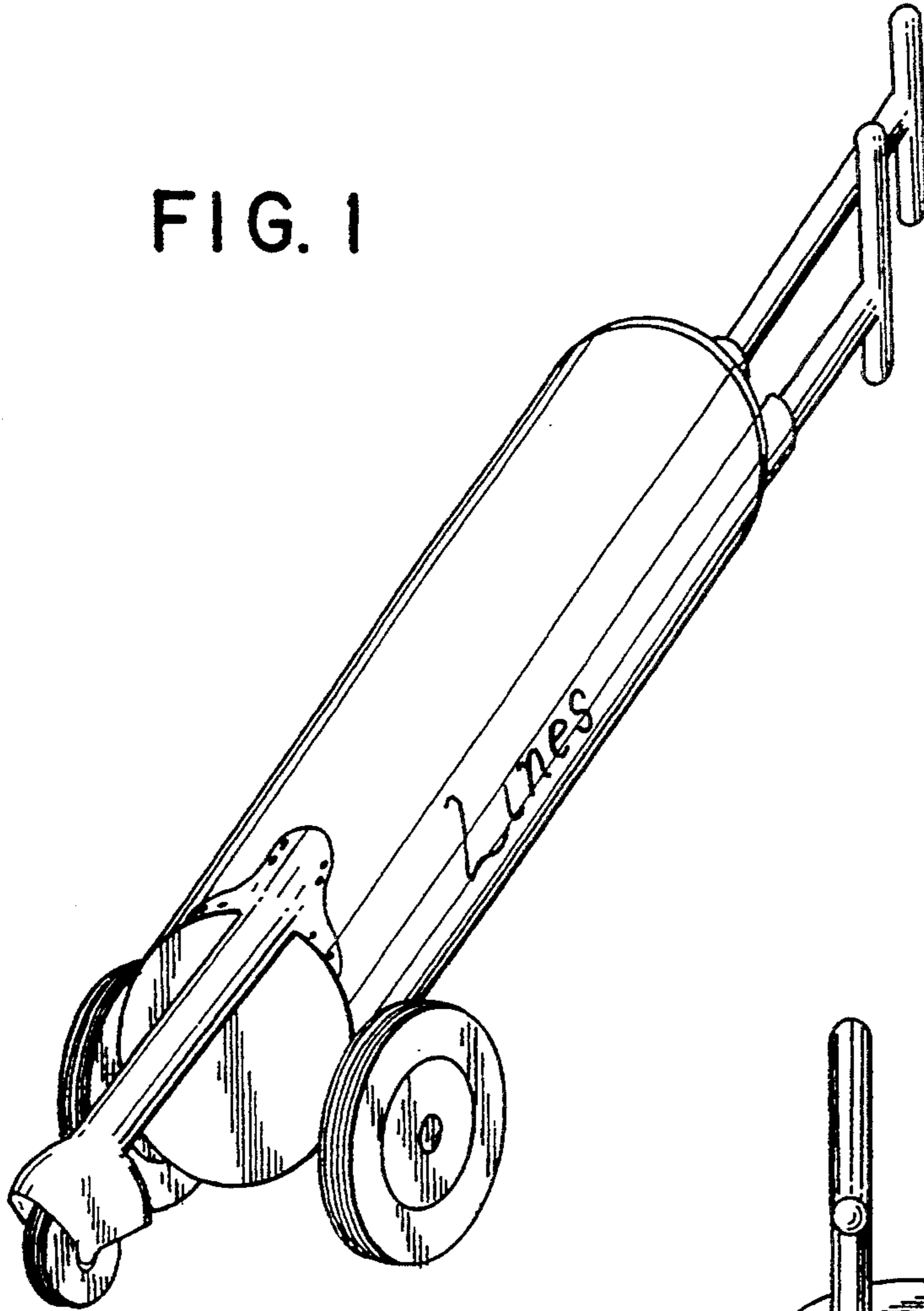


FIG. 4

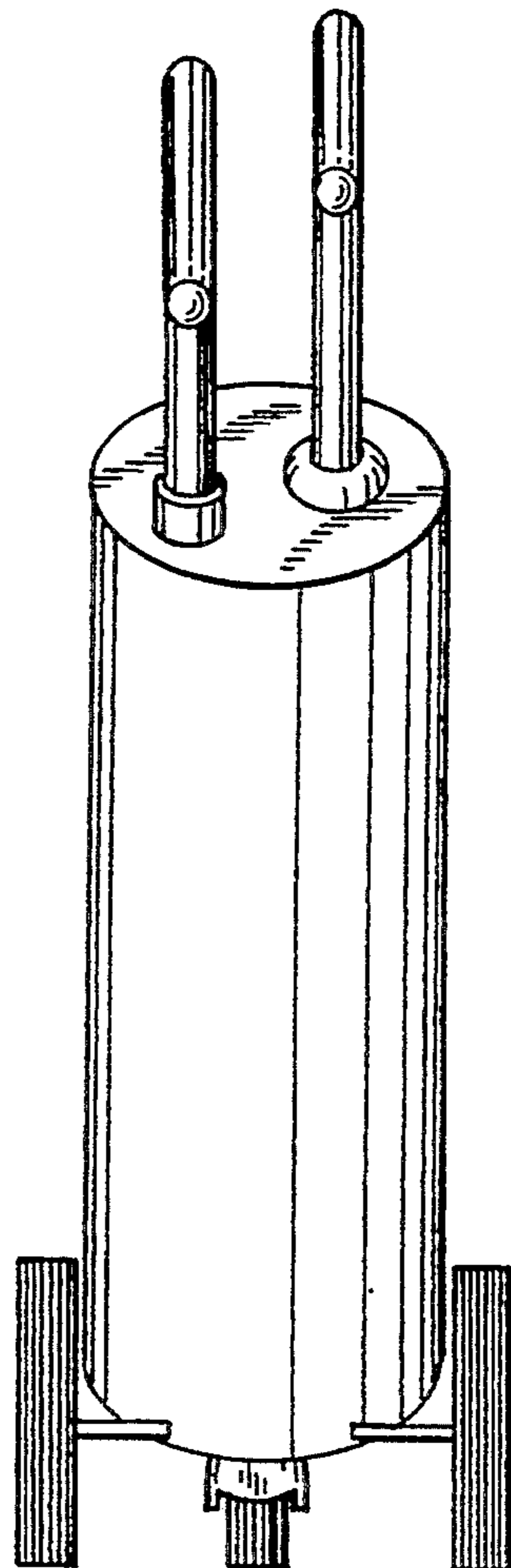


FIG. 2

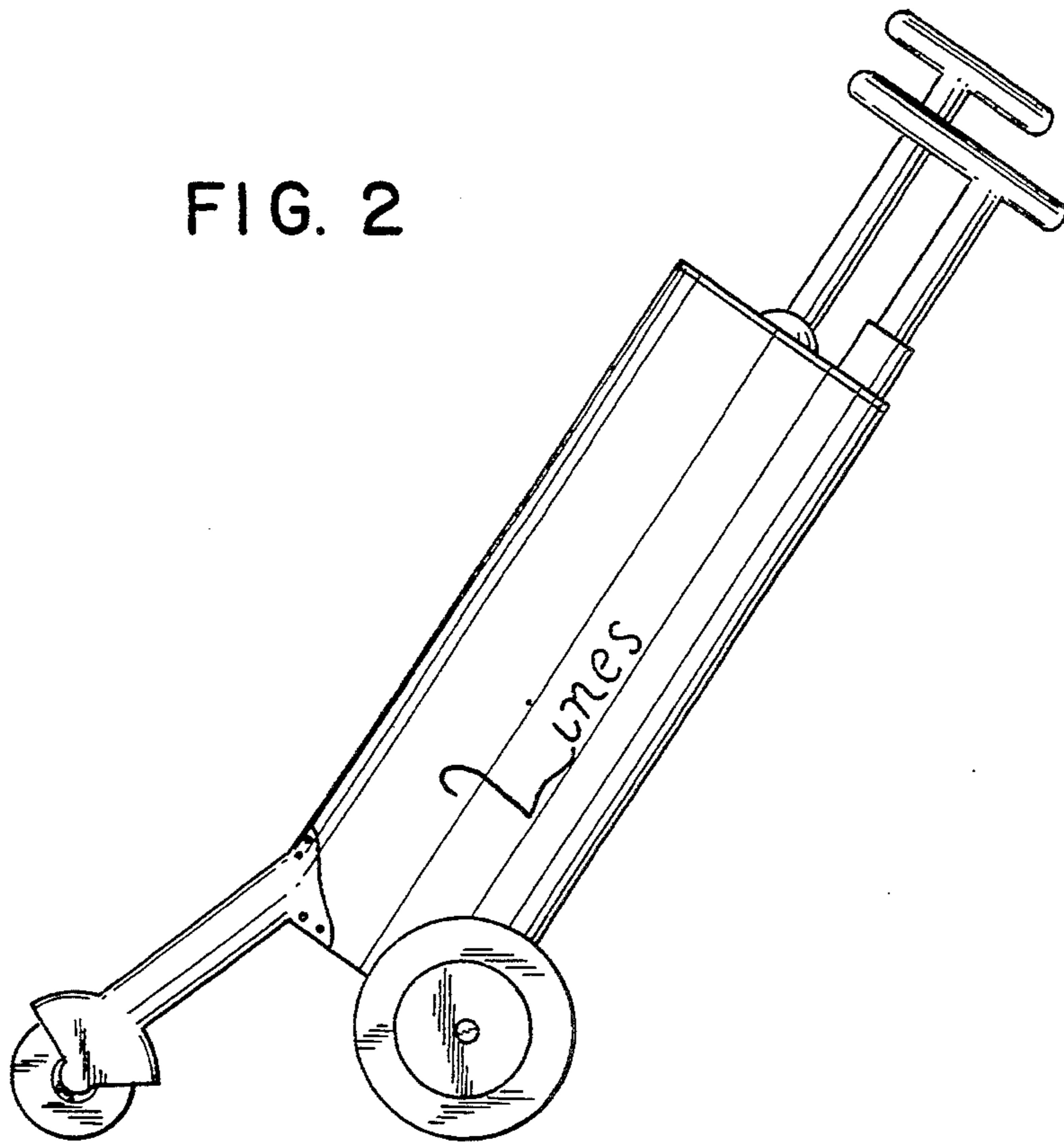


FIG. 3

