



US00D361665S

United States Patent [19]

[11] Patent Number: **Des. 361,665**

Izumi

[45] Date of Patent: **** Aug. 29, 1995**

[54] **HINGE CONNECTOR FOR A SHOULDER STRAP**

[75] Inventor: **Hiroaki Izumi**, Kurobe, Japan

[73] Assignee: **Yoshida Kogyo K.K.**, Tokyo, Japan

[**] Term: **14 Years**

[21] Appl. No.: **14,594**

[22] Filed: **Oct. 26, 1993**

[30] **Foreign Application Priority Data**

Apr. 26, 1993 [JP] Japan 5-12381

[52] U.S. Cl. **D3/318**

[58] Field of Search D2/639, 640; D3/318, D3/287; 16/221, 223; 24/165, 163 R, 198, 265 AL; 190/100, 102, 115, 116, 117

[56] **References Cited**

U.S. PATENT DOCUMENTS

D. 245,144	7/1977	Perrin	D3/318
D. 280,867	10/1985	Allen	D3/287
D. 284,623	7/1986	Gerch	D3/287
D. 313,316	1/1991	Nordstrom	D3/287
2,648,114	8/1953	Holtz et al.	24/163 R
2,978,776	4/1961	Reiter	24/265 AL
3,126,228	3/1964	Greene et al.	24/165
4,005,904	2/1977	Weman et al.	24/265 AL
4,577,374	3/1986	Lii	24/265 AL
4,642,853	2/1987	Plesniarski et al.	24/163 R

FOREIGN PATENT DOCUMENTS

58-13140	1/1983	Japan	.
58-137327	9/1983	Japan	.
58-135727	11/1983	Japan	.
60-45917	4/1985	Japan	.
60-70328	5/1985	Japan	.
62-100008	6/1987	Japan	.
63-103425	7/1987	Japan	.
6430020	2/1989	Japan	.
4107616	9/1992	Japan	.

Primary Examiner—Theodore M. Shooman
Assistant Examiner—Philip Hyder
Attorney, Agent, or Firm—Hill, Steadman & Simpson

[57] **CLAIM**

The ornamental design for a hinge connector for a shoulder strap, as shown and described.

DESCRIPTION

FIG. 1 is a front elevational view of a hinge connector for a shoulder strap, showing my new design, wherein the rear view is identical;

FIG. 2 is a top plan view of FIG. 1;

FIG. 3 is a bottom plan of FIG. 1;

FIG. 4 is a right side view of the hinge connector for a shoulder strap of FIG. 1, wherein the left side view is identical;

FIG. 5 is a cross-sectional view taken on line 5—5 of FIG. 1;

FIG. 6 is a cross-sectional view taken on line 6—6 of FIG. 2; and,

FIG. 7 is a perspective view of the hinge connector for a shoulder strap of FIG. 1.

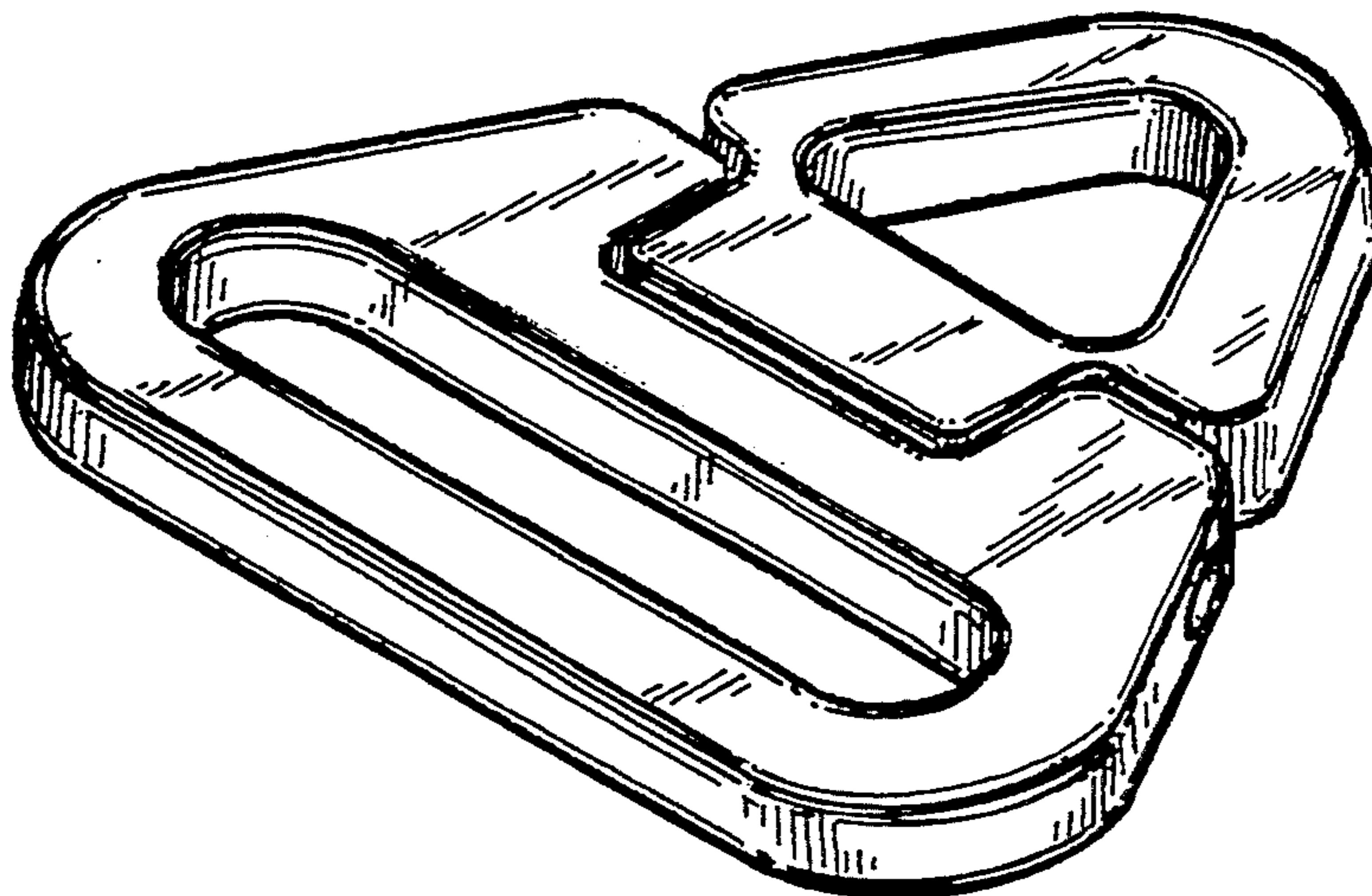


FIG. 1

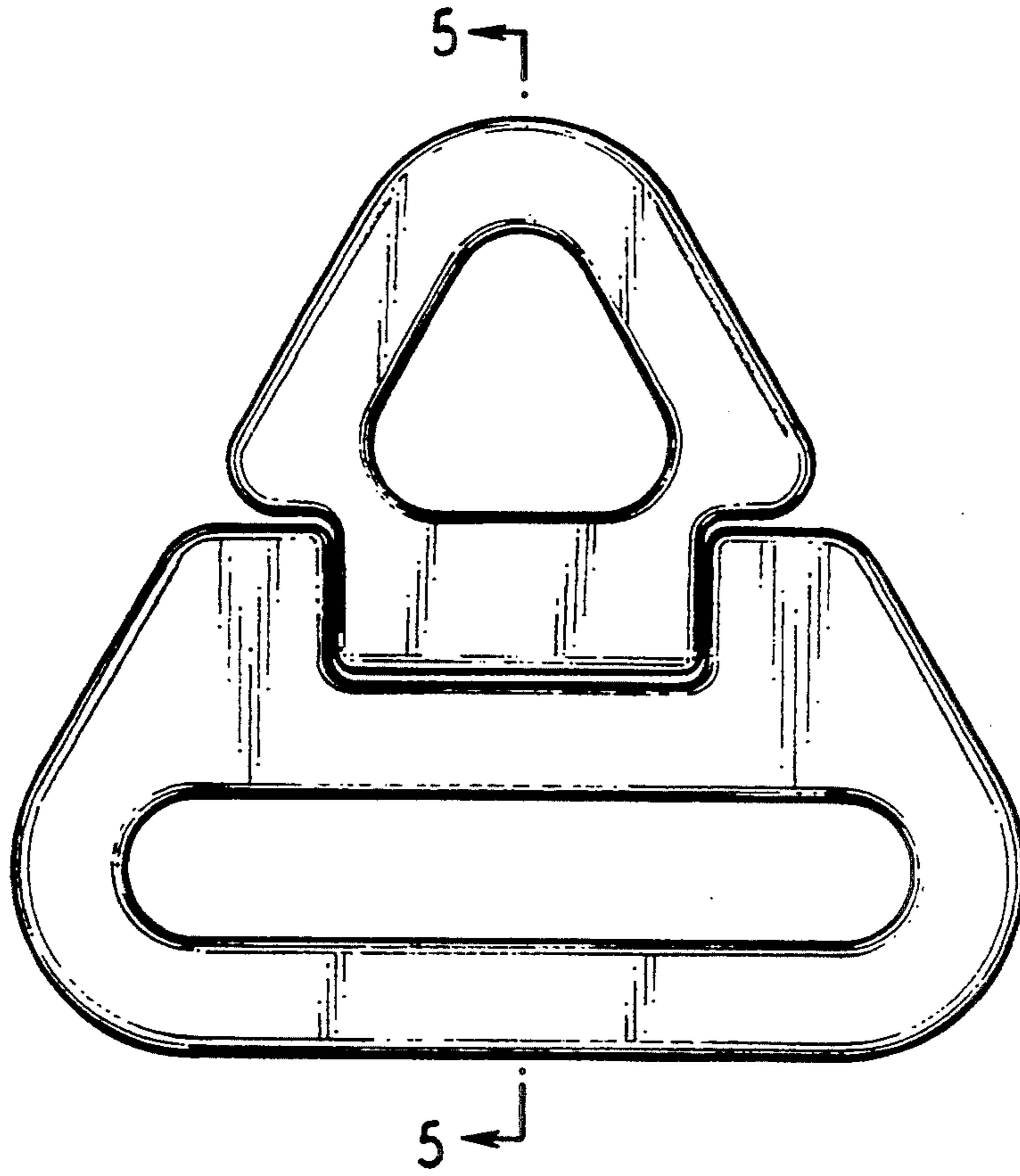


FIG. 2

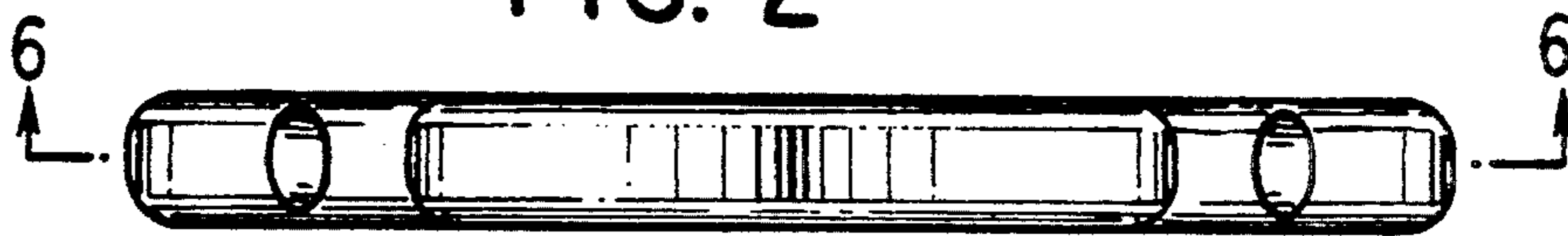


FIG. 3

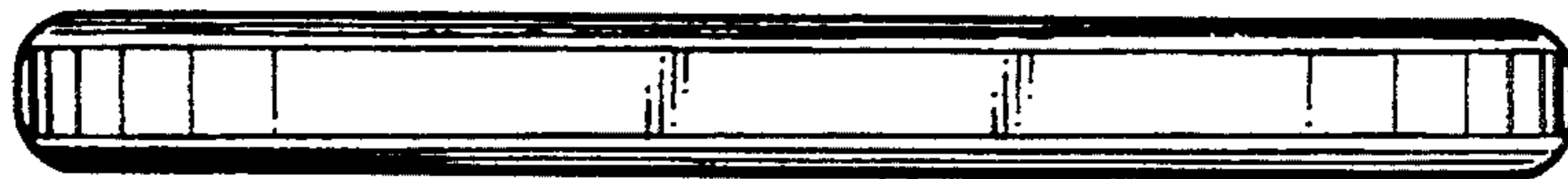


FIG. 4



FIG. 5



FIG. 6

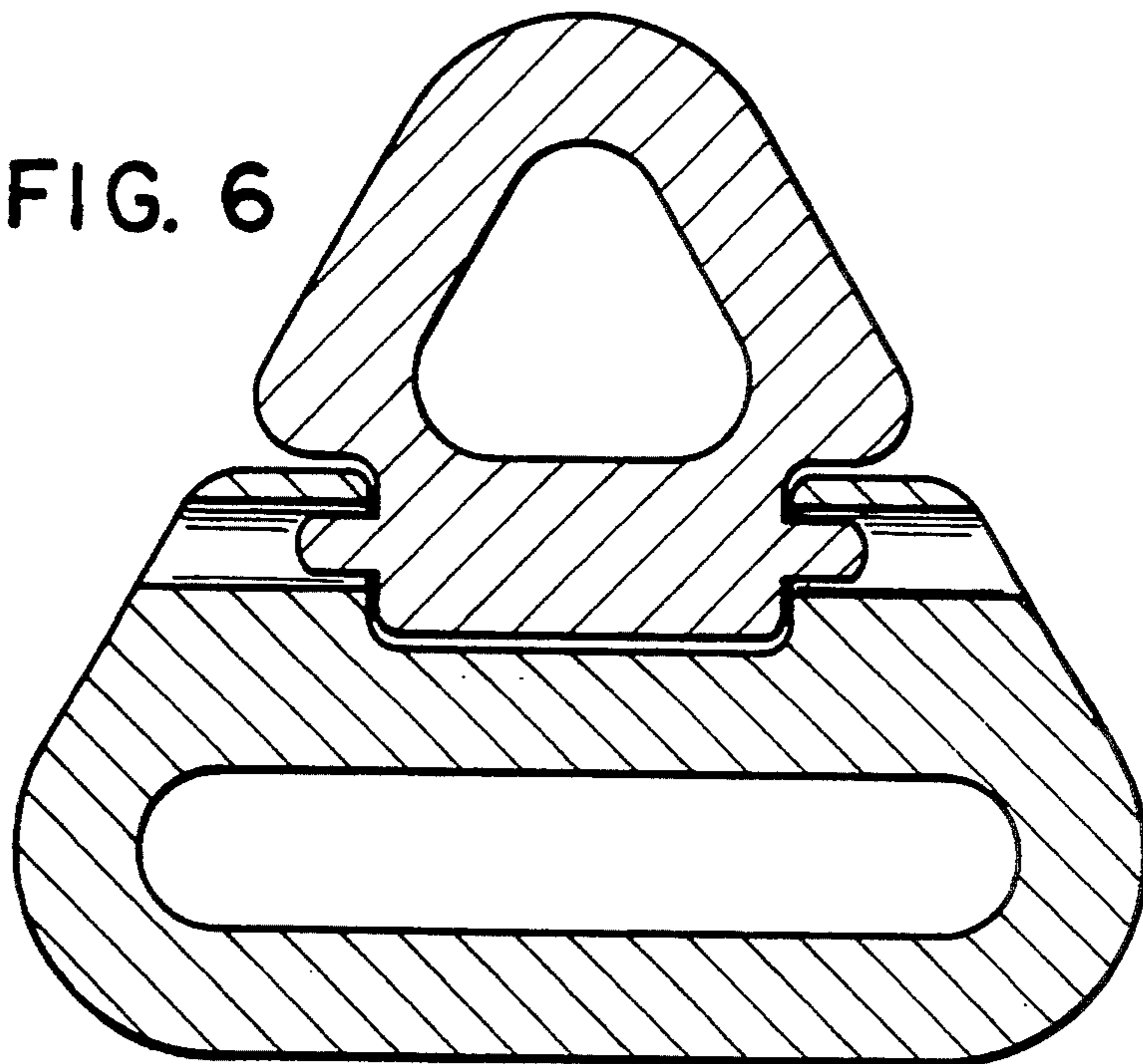


FIG. 7

