



US00D361664S

United States Patent [19]

[11] Patent Number: Des. 361,664

Brown

[45] Date of Patent: ** Aug. 29, 1995

[54] LADDER CADDY

4,730,802 3/1988 Chatham et al. 248/238

[75] Inventor: Harry L. Brown, 2224 Beech St.,
Virginia Beach, Va. 23451

Primary Examiner—Louis S. Zarfes

Assistant Examiner—Catherine R. Oliver

Attorney, Agent, or Firm—Griffin, Butler, Whisenhunt &
Kurtosy

[73] Assignees: Harry L. Brown; Lyle L. Tatroe, both
of Virginia Beach, Va.

[57] CLAIM

[**] Term: 14 Years

The ornamental design for a ladder caddy, as shown
and described.

[21] Appl. No.: 16,752

[22] Filed: Dec. 23, 1993

DESCRIPTION

Related U.S. Application Data

[63] Continuation-in-part of Ser. No. 839,495, Feb. 20, 1992,
abandoned, and a continuation-in-part of Ser. No.
777,105, Oct. 16, 1991, abandoned.

[52] U.S. Cl. D3/315

[58] Field of Search D3/315, 308, 309, 307;
D25/62, 64, 68; 206/234, 373; 248/77

FIG. 1 is a top perspective view of a ladder caddy in
accordance with this invention with a side, ladder-
engaging, slide-out handle being in a fully-inserted posi-
tion and a center, or top, handle being in a deployed,
upwardly-directed, position;

FIG. 2 is a top plan view of the ladder caddy of FIG. 1;
FIG. 3 is an end elevational view of the ladder caddy of
FIG. 1;

FIG. 4 is a cross-sectional view taken on line IV—IV in
FIGS. 2 and 3;

FIG. 5 is a cross-sectional view taken on V—V in FIG.
4;

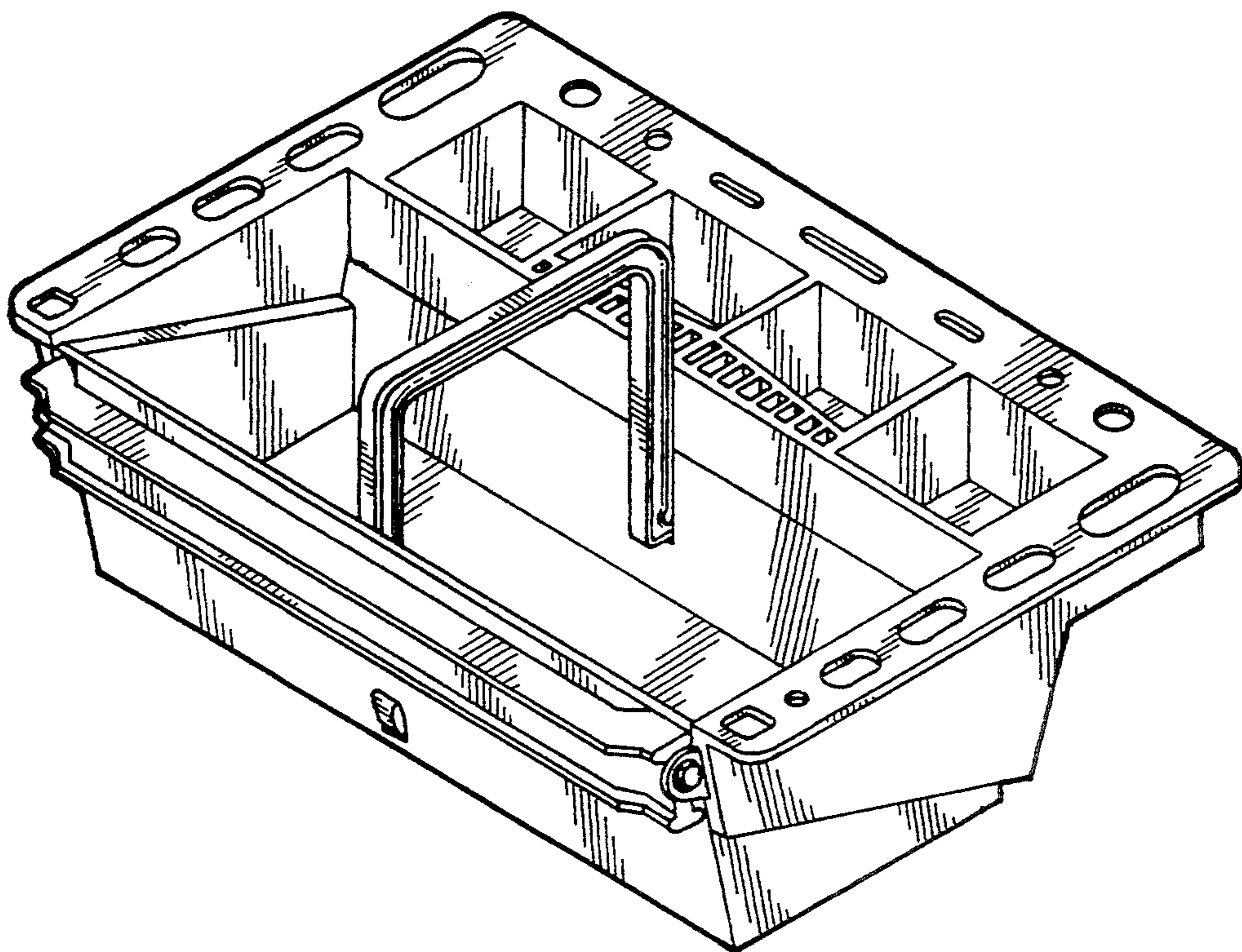
FIG. 6 is a side elevational view of the ladder caddy of
FIG. 1, with the side ladder engaging, slide-out handle
being fully deployed outwardly and the ladder caddy
shown mounted on an A-frame ladder which is depicted
in broken lines and forms no part of the claimed design;
and,

FIG. 7 is taken from the right of FIG. 3 with a hook
portion of the handle being shown in cross-section on
line VII—VII in FIG. 3.

[56] References Cited

U.S. PATENT DOCUMENTS

D. 259,099	5/1981	Davis	D3/309
D. 295,106	4/1988	Hays et al.	D3/308
D. 316,171	4/1991	Chatham et al.	D3/304
D. 329,135	9/1992	Embree	D3/308
3,618,749	11/1971	Vaccaro	206/373 X
4,058,210	11/1977	Mitchell	206/372
4,550,828	11/1985	Baldwin et al.	206/349
4,653,713	3/1987	Hamilton	248/238
4,706,918	11/1987	Wilson	248/210
4,720,021	1/1988	Byrns	206/373



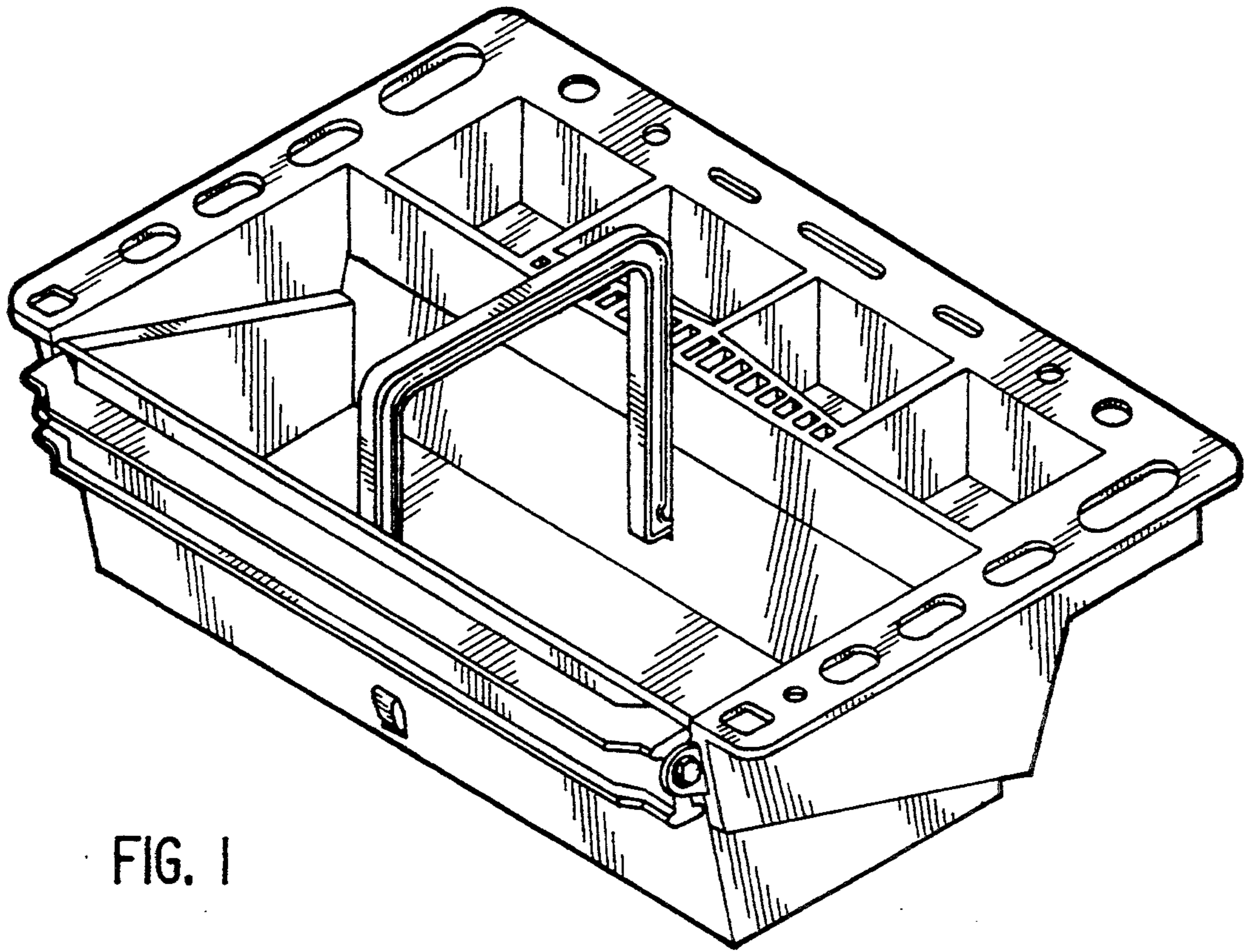
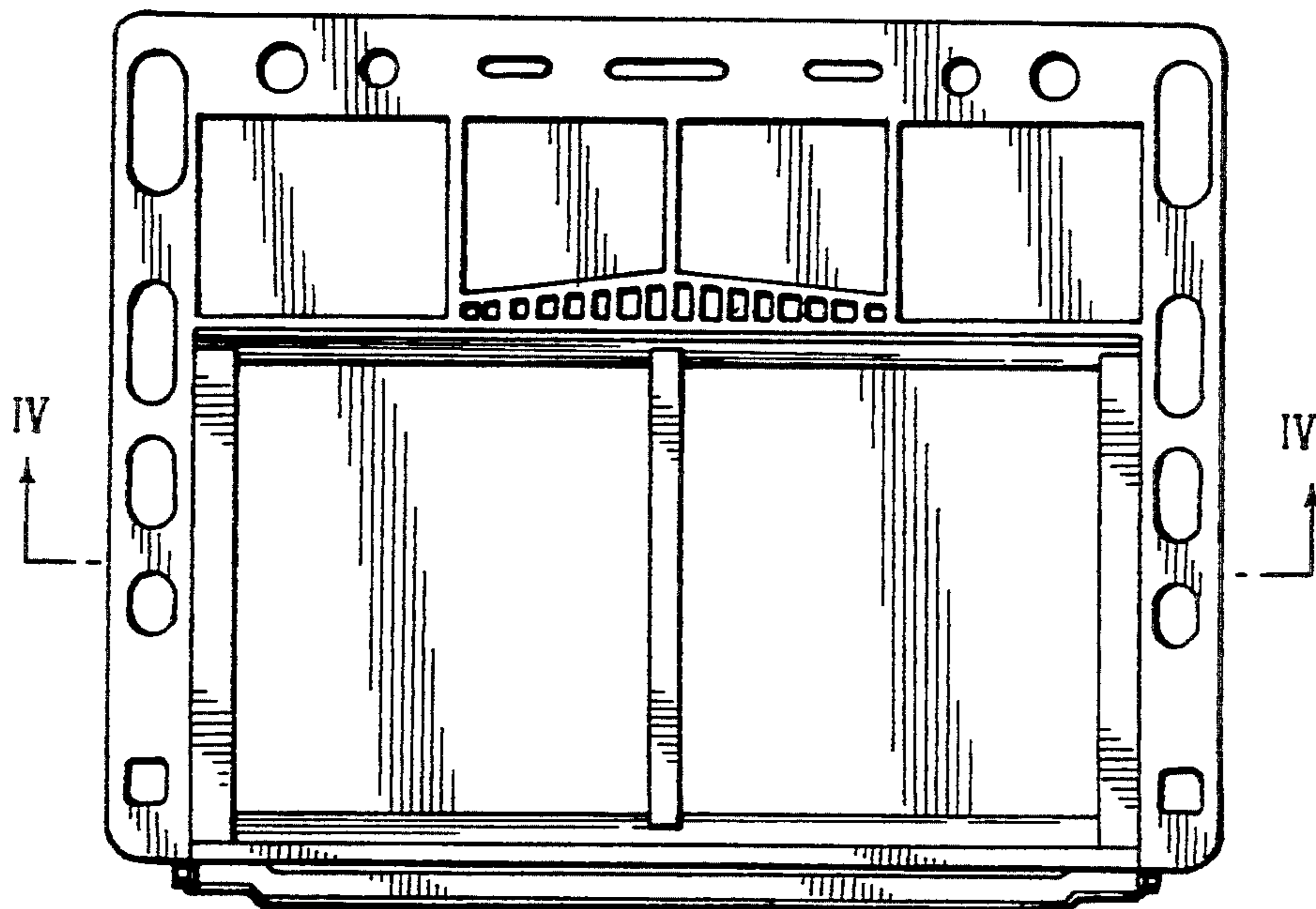


FIG. 1

FIG. 2



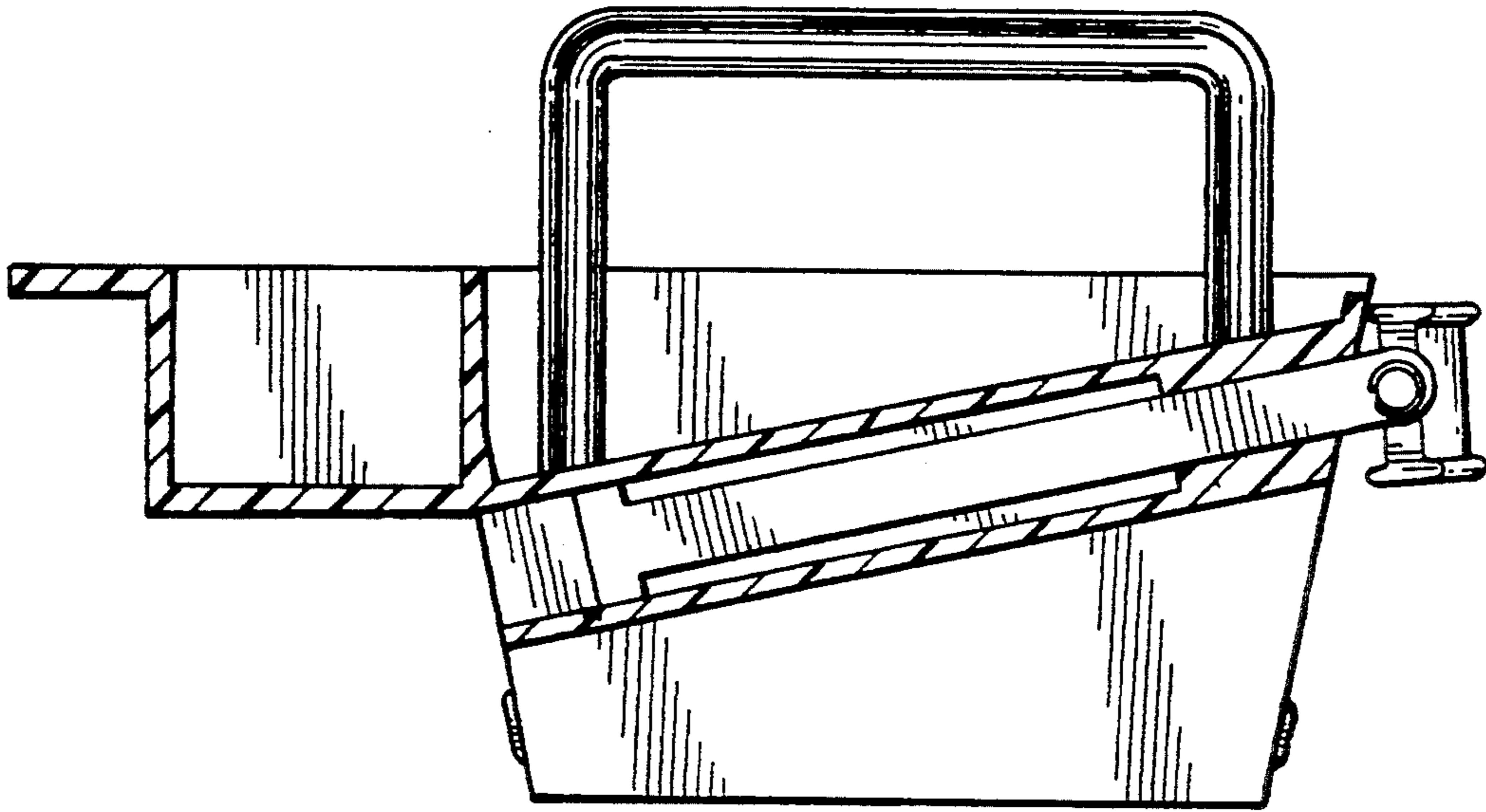


FIG. 5

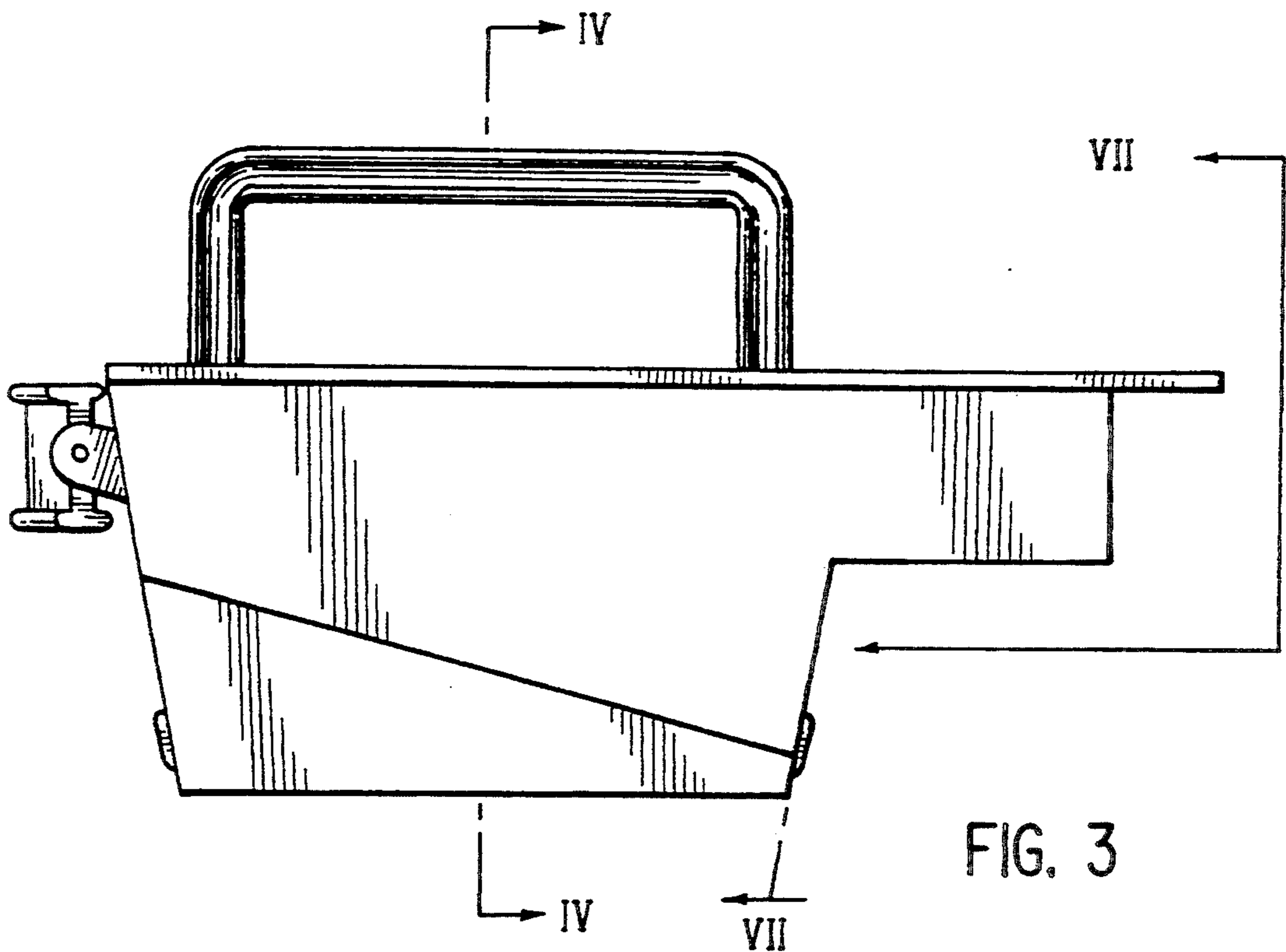


FIG. 3

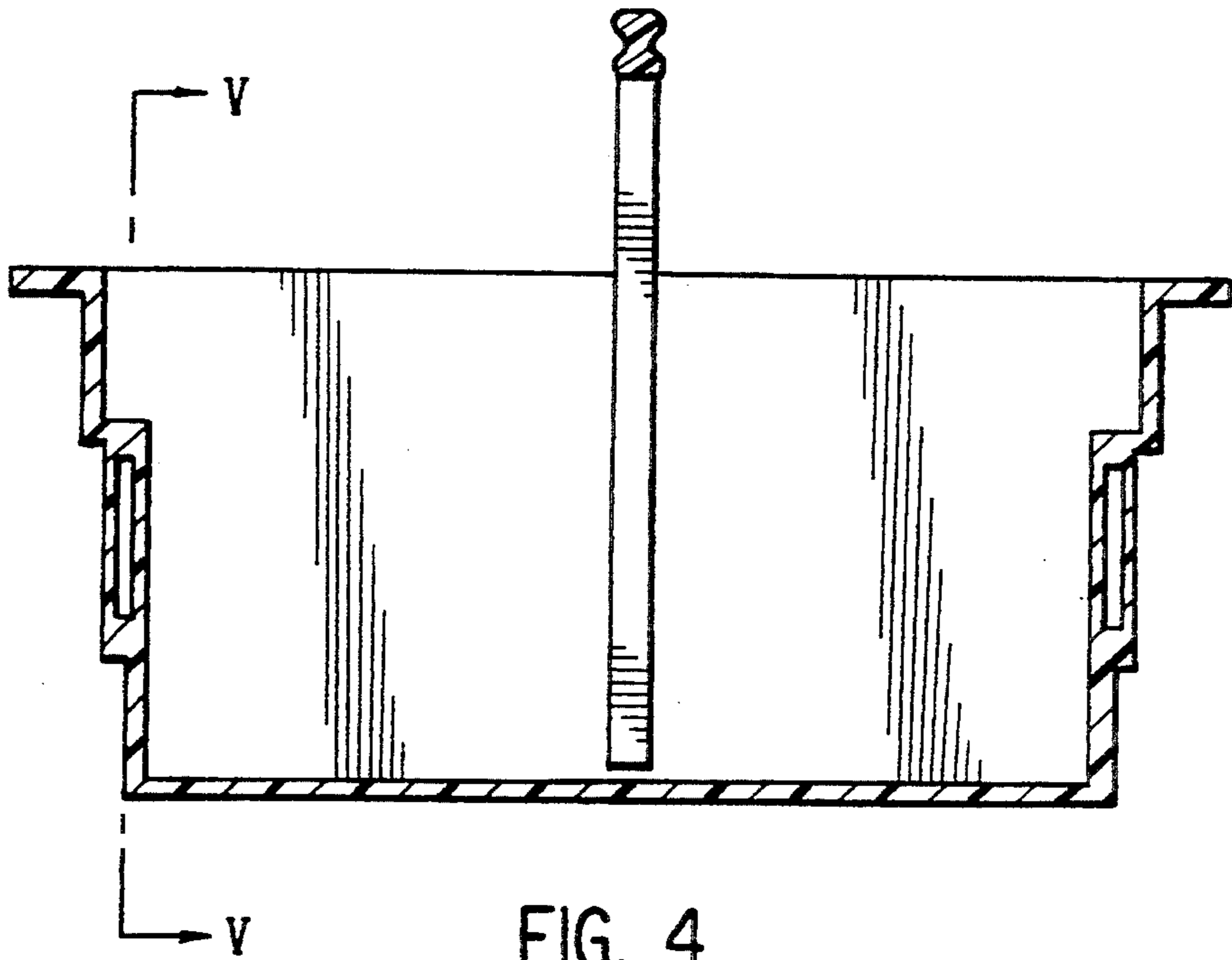


FIG. 4

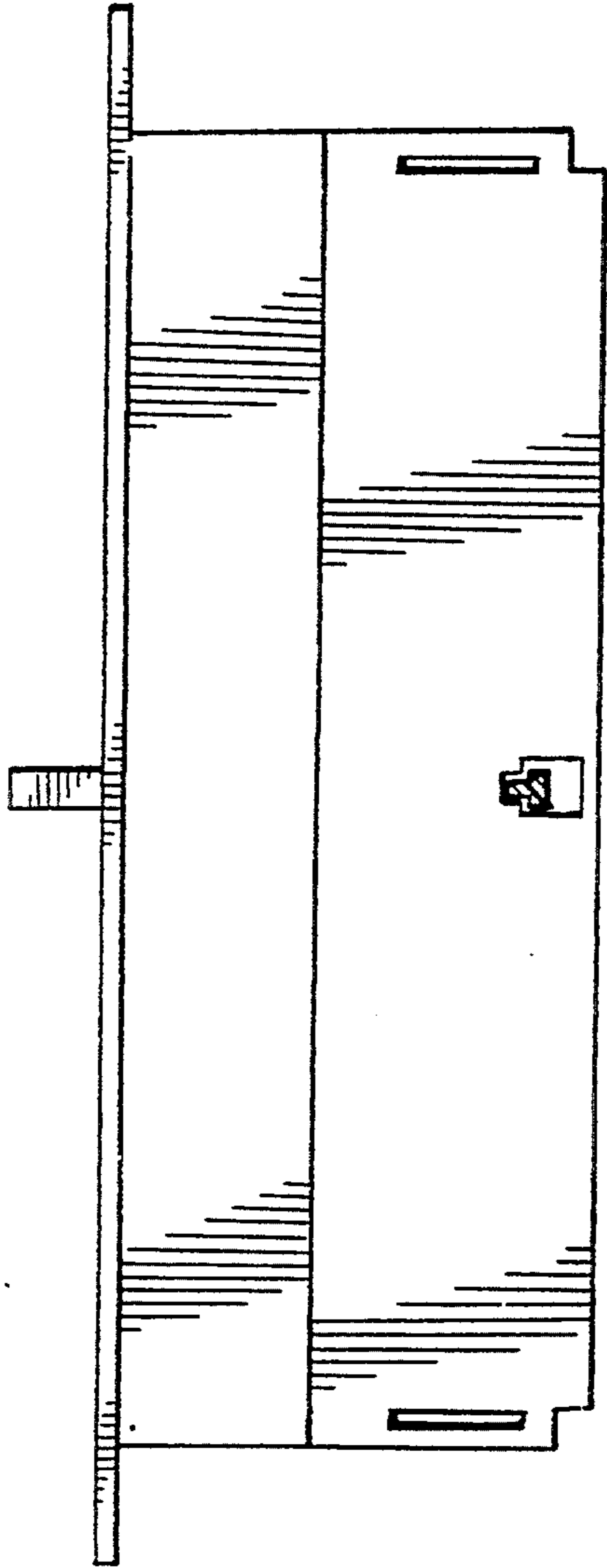


FIG. 7

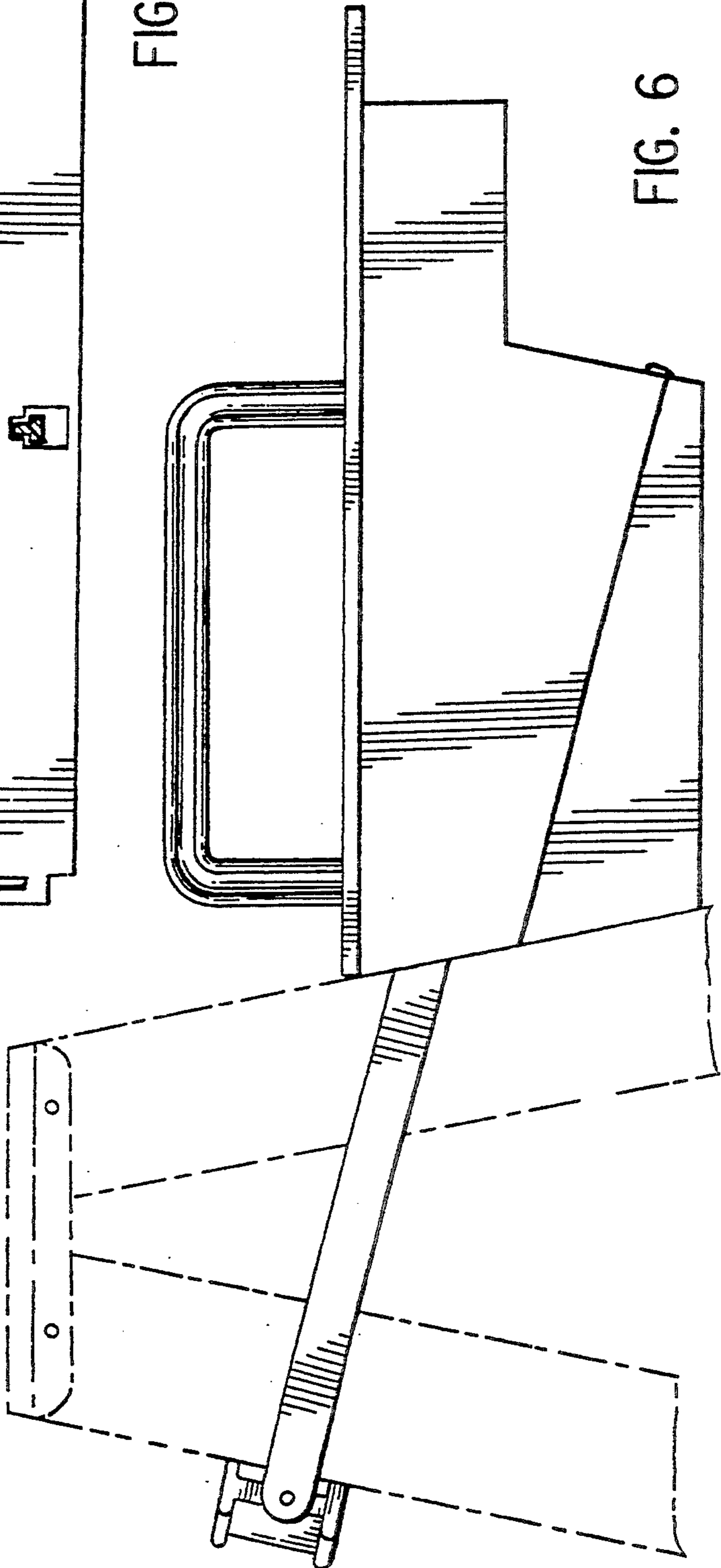


FIG. 6