



US00D361663S

United States Patent [19]

[11] Patent Number: **Des. 361,663**

Kalin

[45] Date of Patent: **** Aug. 29, 1995**

[54] **STACKABLE CRATE FOR BOTTLES**

[75] Inventor: **Jonathan A. Kalin**, Manhattan Beach, Calif.

[73] Assignee: **Rehrig Pacific Company, Inc.**, Los Angeles, Calif.

[**] Term: **14 Years**

[21] Appl. No.: **15,618**

[22] Filed: **Nov. 22, 1993**

[52] U.S. Cl. **D3/314**

[58] Field of Search **D3/304, 307, 314; D7/701, 705, 708; D9/341; 206/427, 499, 503-507, 509, 515, 518, 519, 557, 203; 220/676, 906, DIG. 2, DIG. 15; 211/74, 126**

[56] **References Cited**

U.S. PATENT DOCUMENTS

- D. 275,142 8/1984 Torokvei .
- D. 313,493 1/1991 Apps et al. .
- D. 317,670 6/1991 Apps .
- D. 318,552 7/1991 Apps .
- D. 325,279 4/1992 Apps .
- 5,031,774 6/1991 Morris et al. 206/519 X
- 5,105,948 4/1992 Morris et al. 206/519
- 5,305,884 4/1994 Apps et al. 206/515 X

FOREIGN PATENT DOCUMENTS

8707577 12/1987 WIPO 220/DIG. 2

OTHER PUBLICATIONS

Exhibits A-D, Photographs of Prior Art Crate—"Husky Lite", Undated.
Exhibits E-H, Photographs of Prior Art Crate—"Piper Case Pro", Undated.

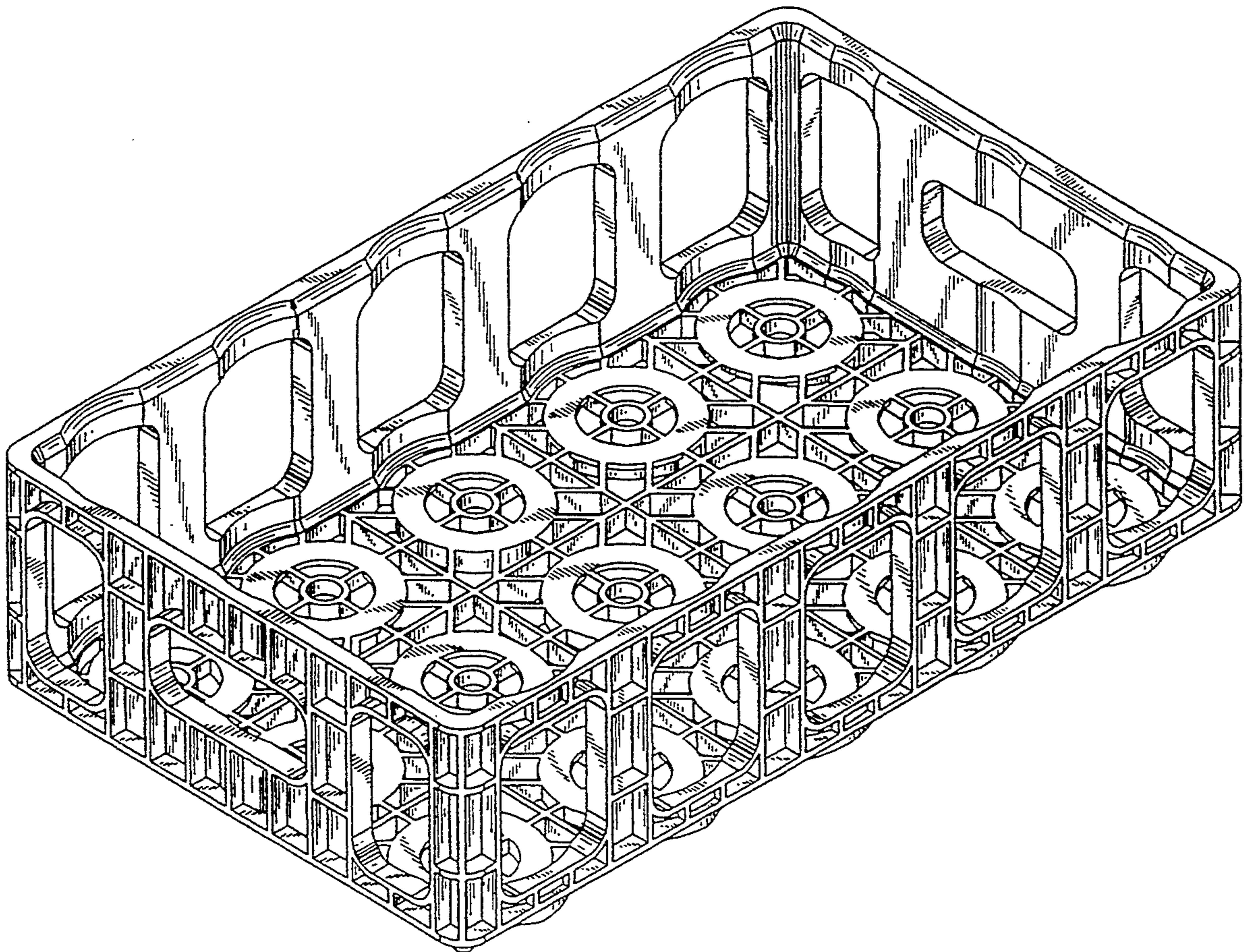
Primary Examiner—Prabhakar G. Deshmukh
Assistant Examiner—Richelle Shelton
Attorney, Agent, or Firm—Banner & Allegretti, Ltd.

[57] **CLAIM**

The ornamental design for a stackable crate for bottles, as shown and described.

DESCRIPTION

FIG. 1 is a top perspective view of a stackable crate for bottles showing my new design; FIG. 2 is a top plan view thereof; FIG. 3 is a bottom plan view thereof; FIG. 4 is a side elevation view thereof, the opposite side being a mirror image; and, FIG. 5 is an enlarged end elevation view thereof, the opposite end being a mirror image.



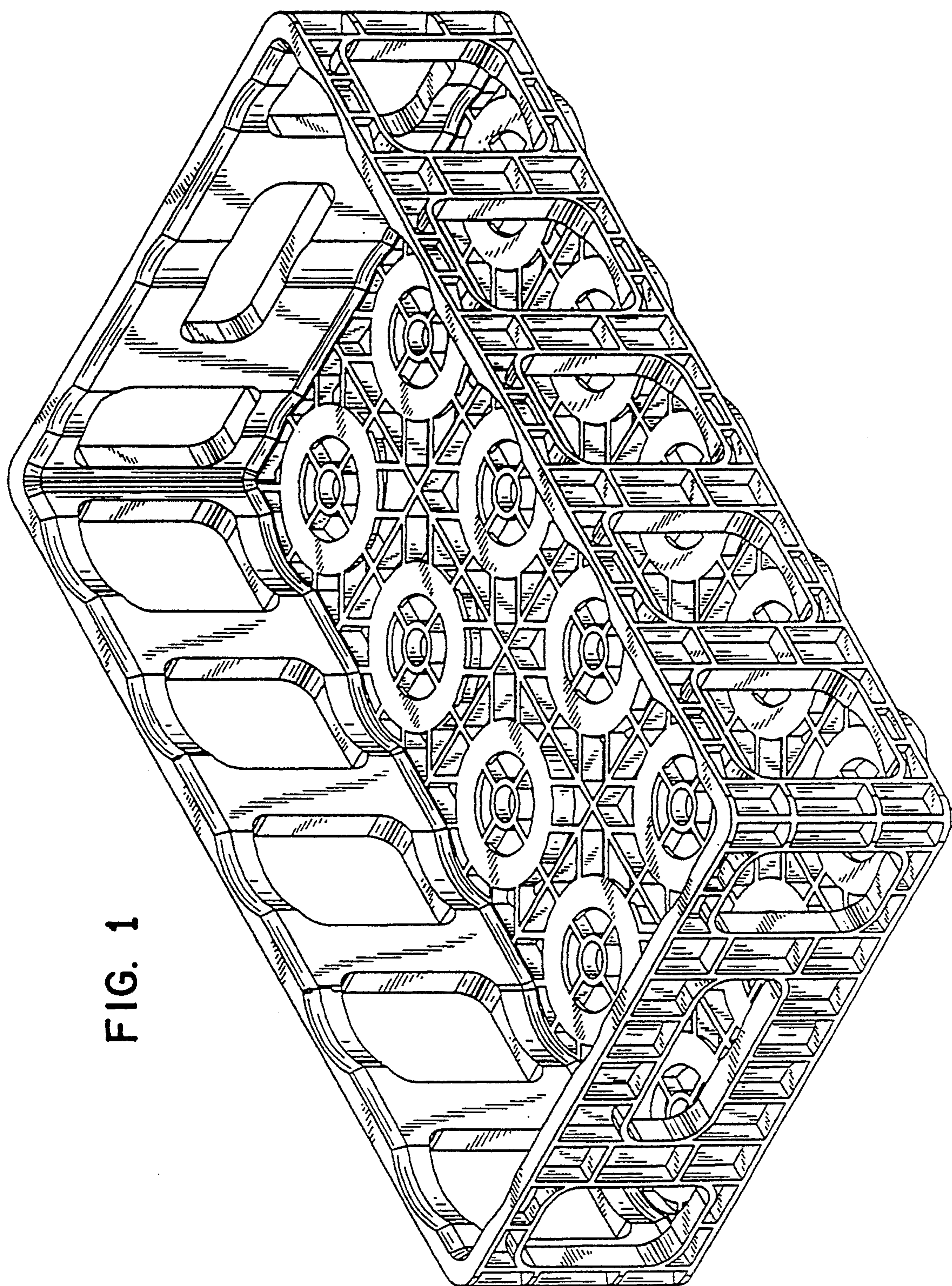


FIG. 1

FIG. 2

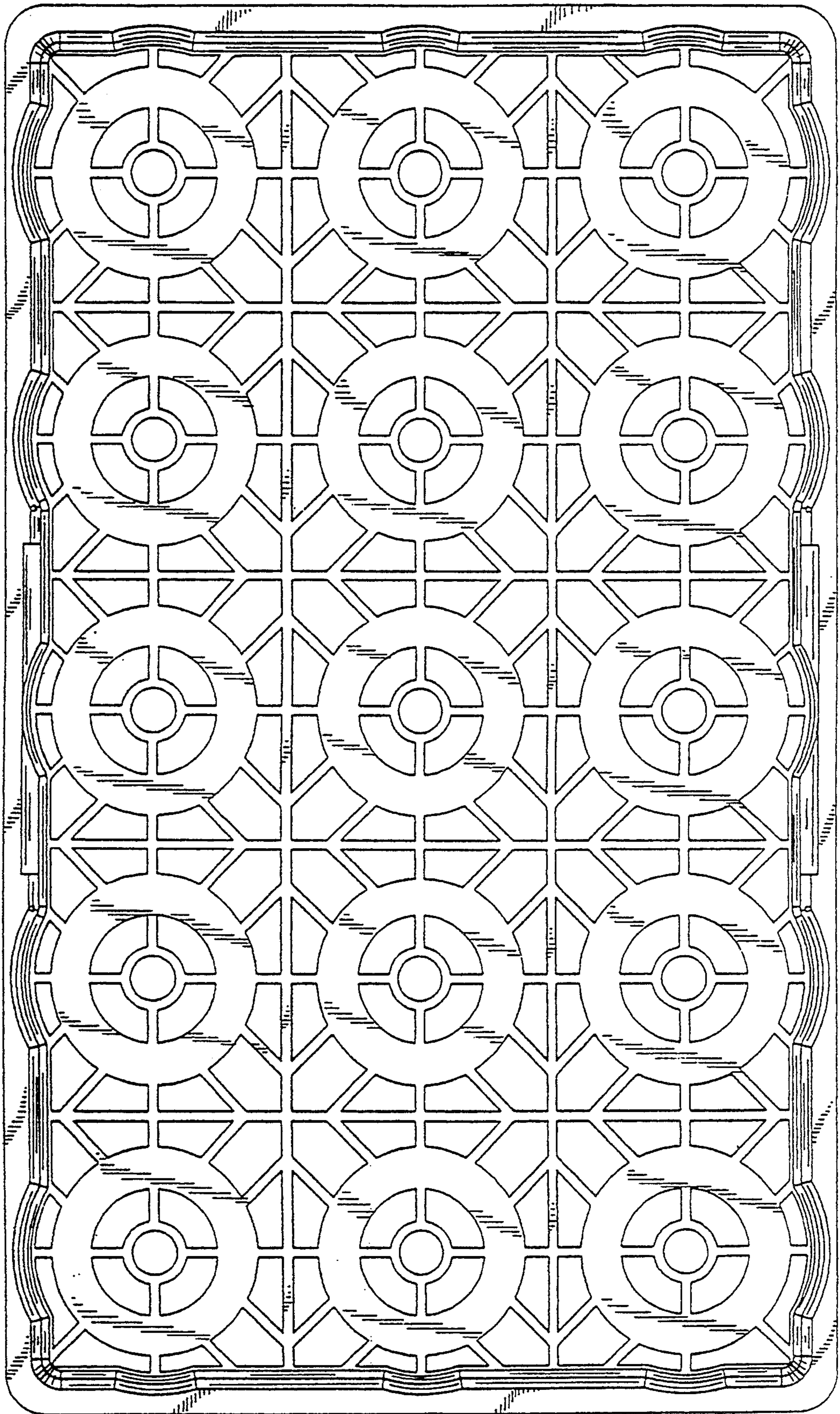


FIG. 3

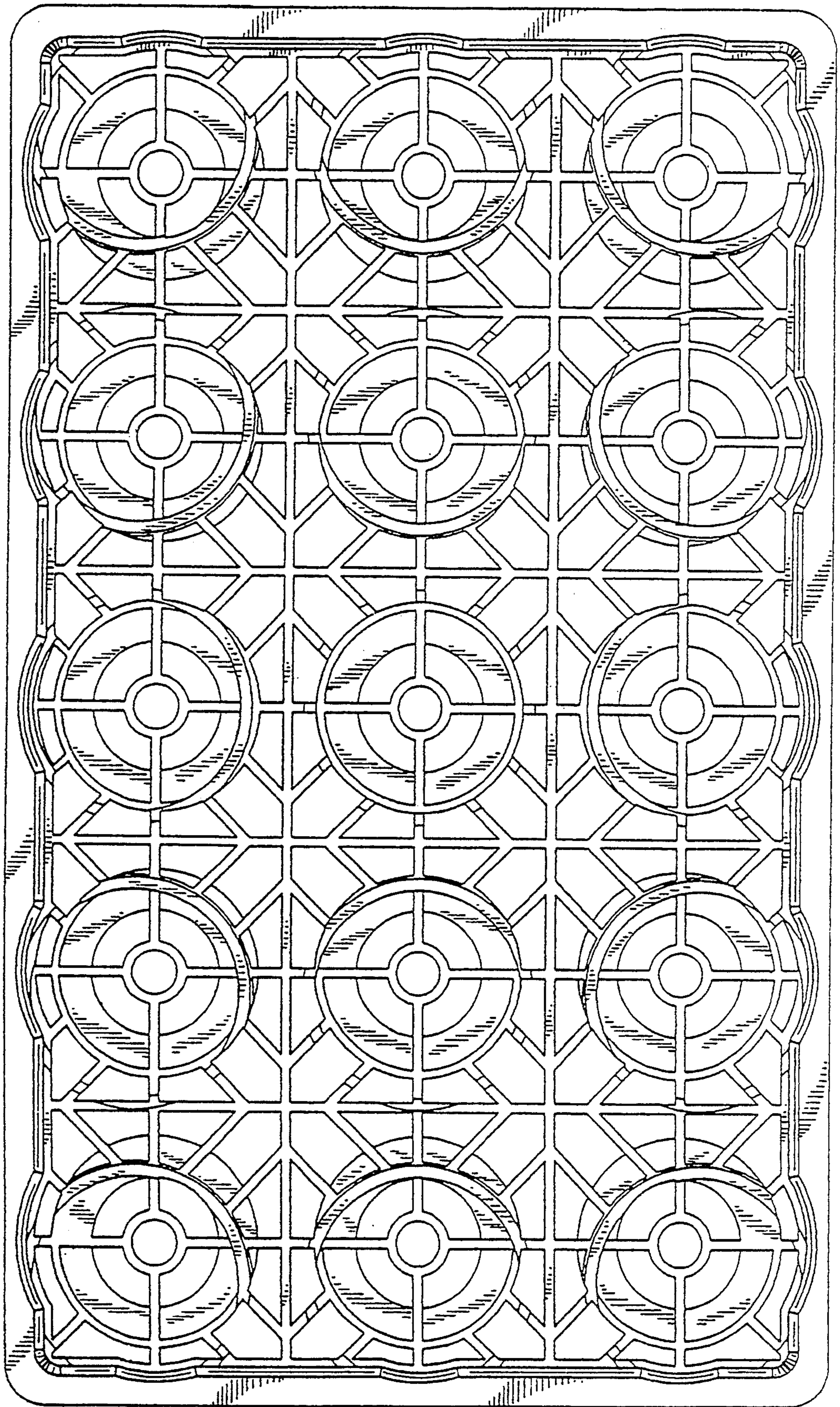


FIG. 4

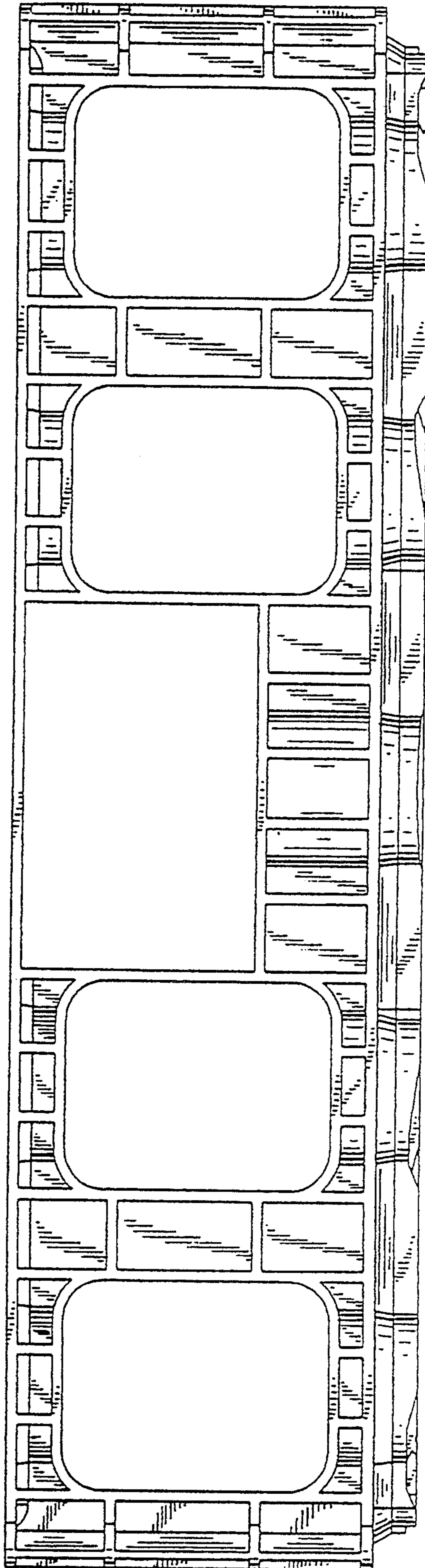


FIG. 5

