



US00D361661S

# United States Patent [19]

[11] Patent Number: **Des. 361,661**

Masuda

[45] Date of Patent: **\*\* Aug. 29, 1995**

[54] **STORAGE BOX FOR COSMETICS**

[75] Inventor: **Isamu Masuda**, Fukuoka, Japan

[73] Assignee: **Nihonkenkozoshinkenkyukai Co., Ltd.**, Fukuoka, Japan

[\*\*] Term: **14 Years**

[21] Appl. No.: **13,890**

[22] Filed: **Oct. 5, 1993**

[52] U.S. Cl. .... **D3/273**

[58] Field of Search ..... **D3/201, 273, 294; 206/427, 486; 190/16, 19, 100, 109, 110**

[56] **References Cited**

**U.S. PATENT DOCUMENTS**

D. 139,201	10/1944	Yarcho	.....	D3/901	X
D. 181,340	11/1957	Breneman	.....	D3/901	X
D. 219,955	2/1971	Seaman	.....	D3/903	X
2,294,794	9/1942	Morelli	.....	119/110	X

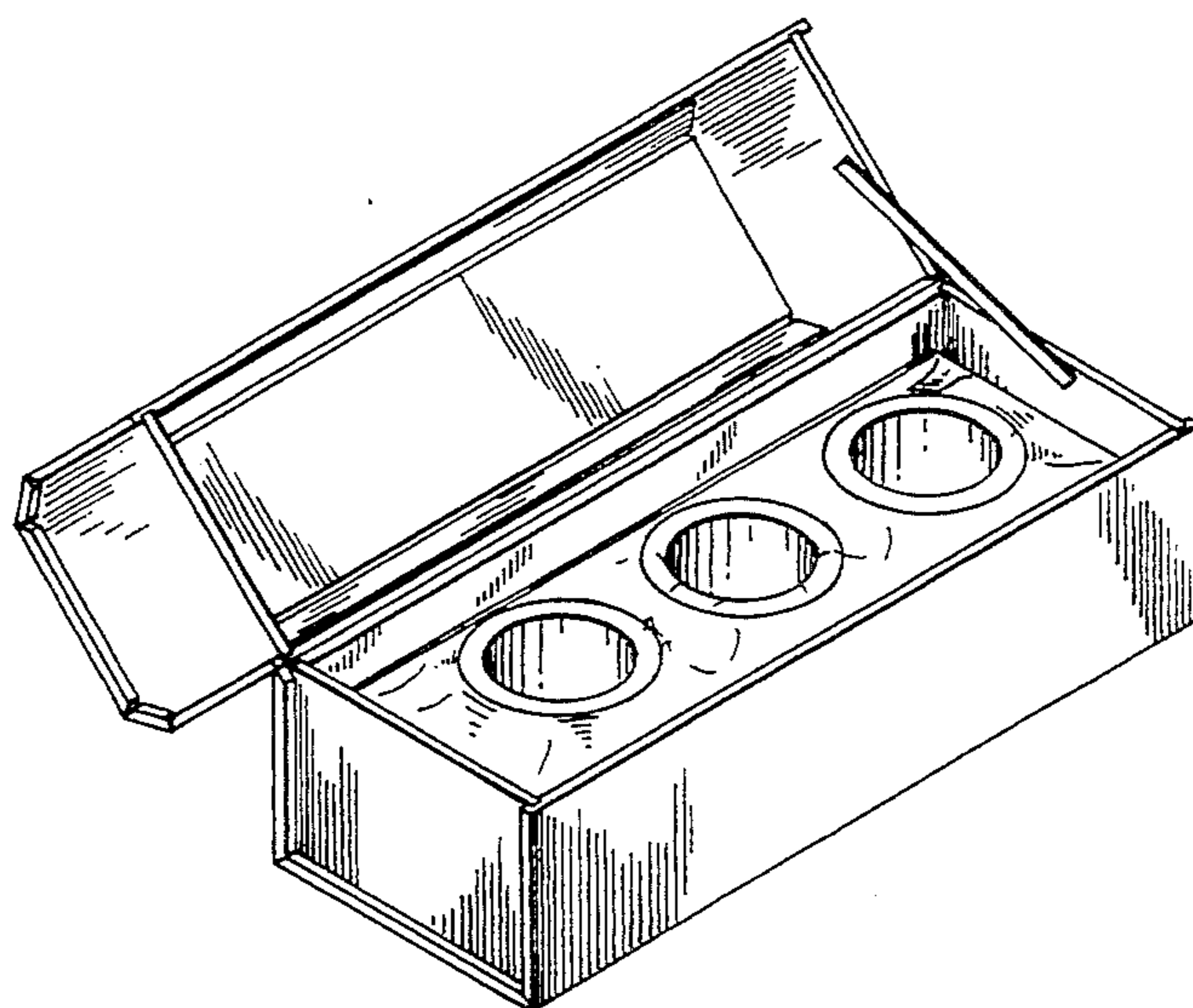
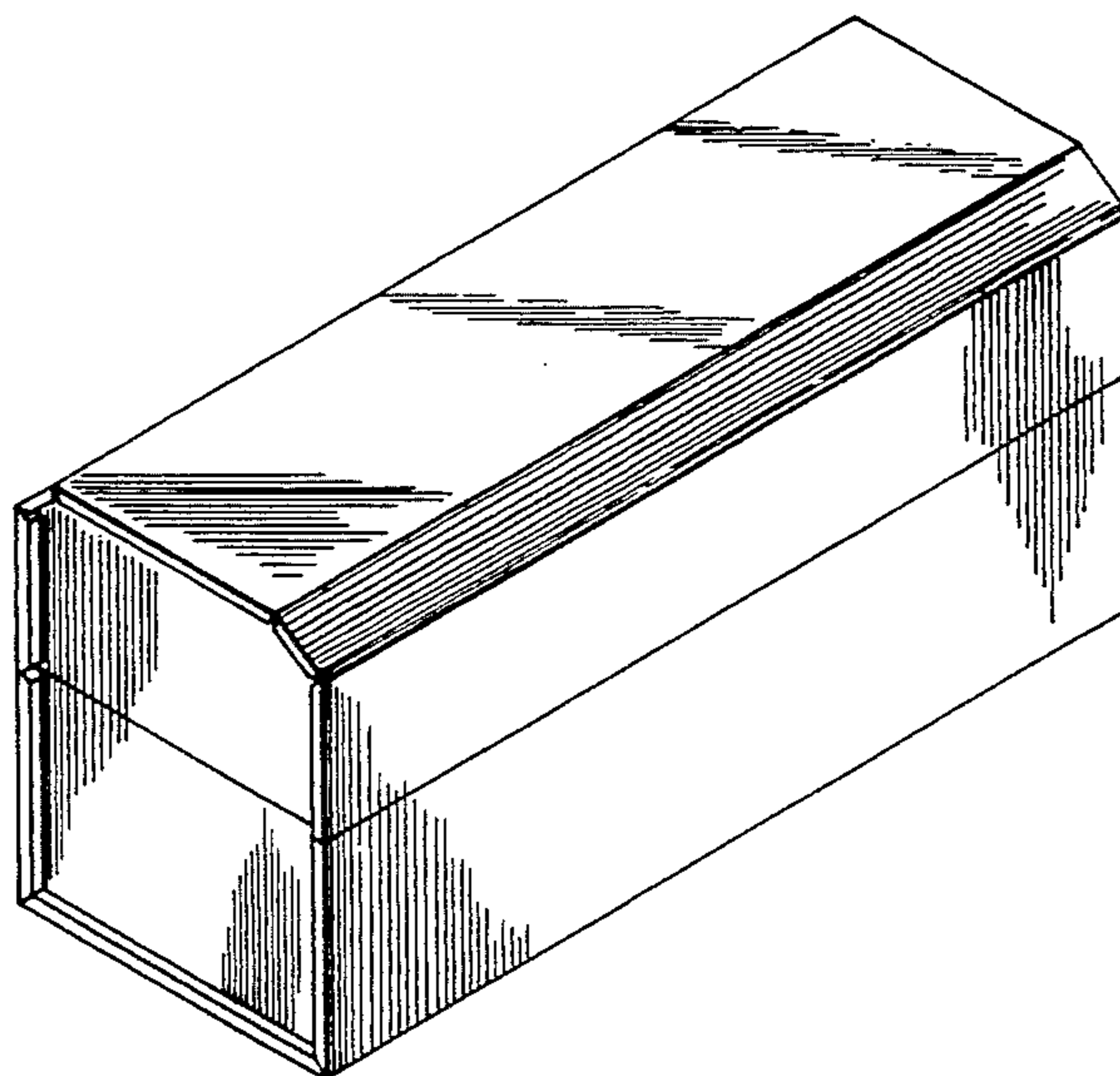
*Primary Examiner*—Prabhakar G. Deshmukh  
*Assistant Examiner*—Dominic Simone  
*Attorney, Agent, or Firm*—Jordan and Hamburg

[57] **CLAIM**

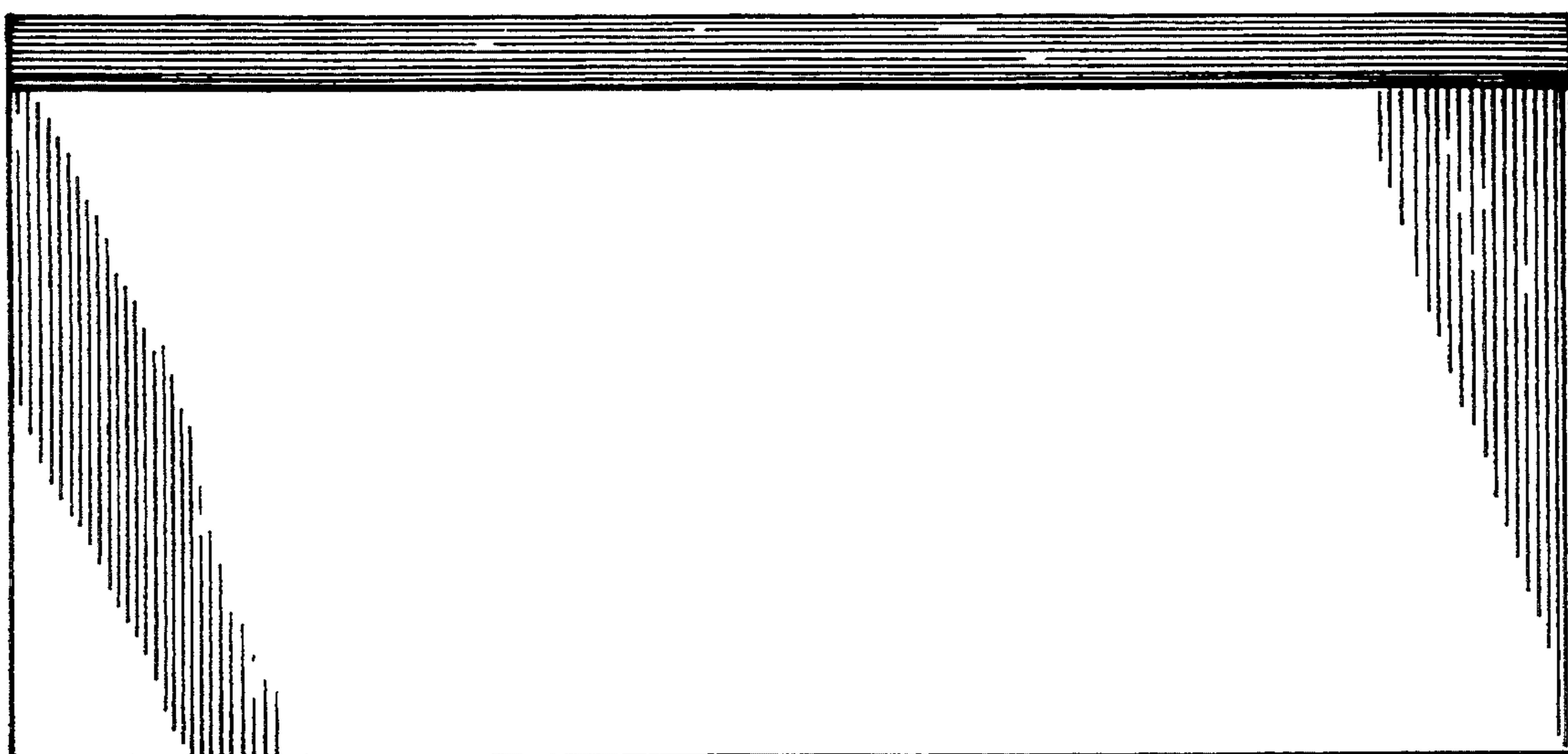
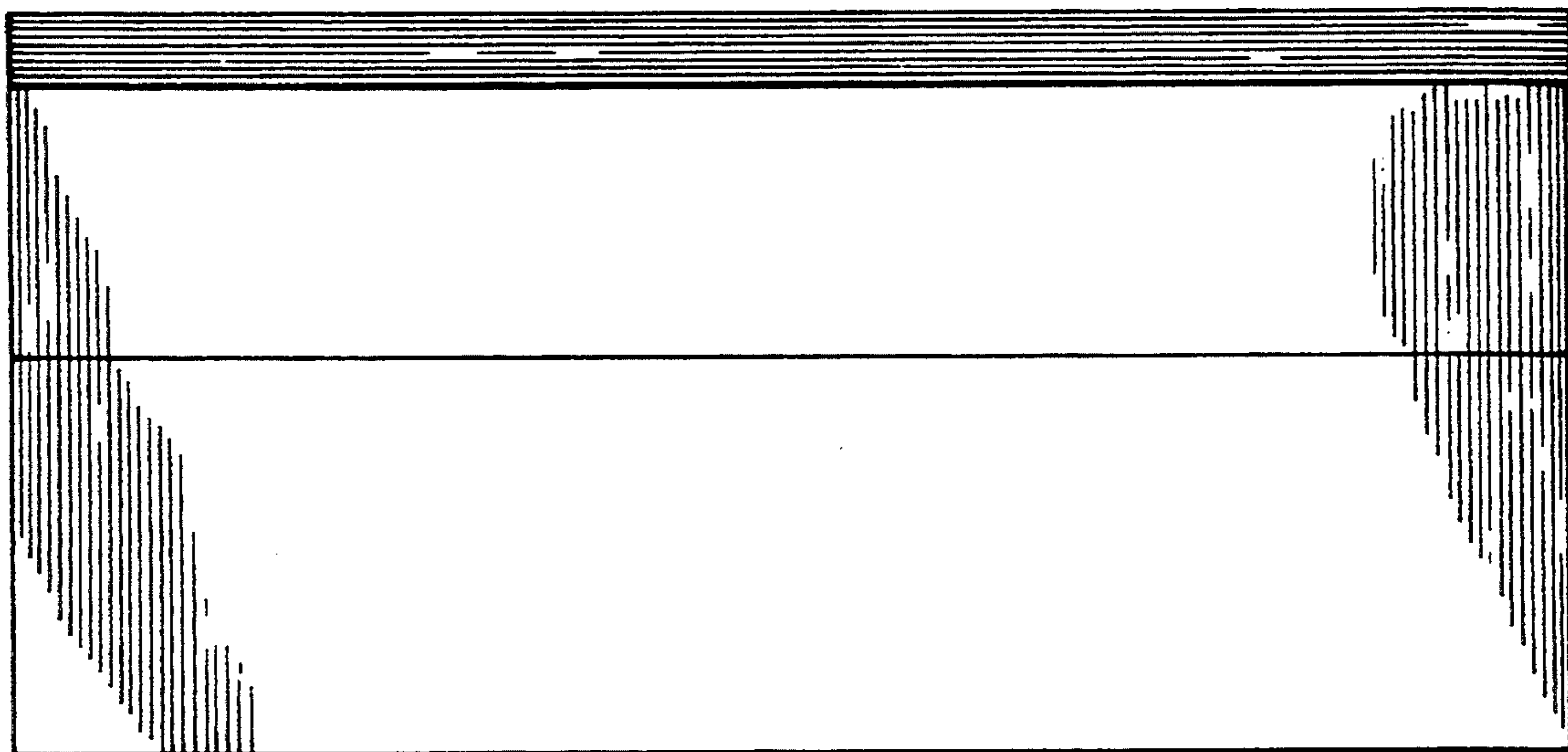
The ornamental design for a storage box for cosmetics, as shown and described.

**DESCRIPTION**

FIG. 1 is a front elevational view of a storage box for cosmetics showing my new design; FIG. 2 is a rear elevational view thereof; FIG. 3 is a top plan view thereof; FIG. 4 is a bottom plan view thereof; FIG. 5 is a right elevational view thereof; FIG. 6 is a sectional view taken along the line 6—6 in FIG. 5. FIG. 7 is a perspective view thereof; and, FIG. 8 is a perspective view thereof, in an open position.

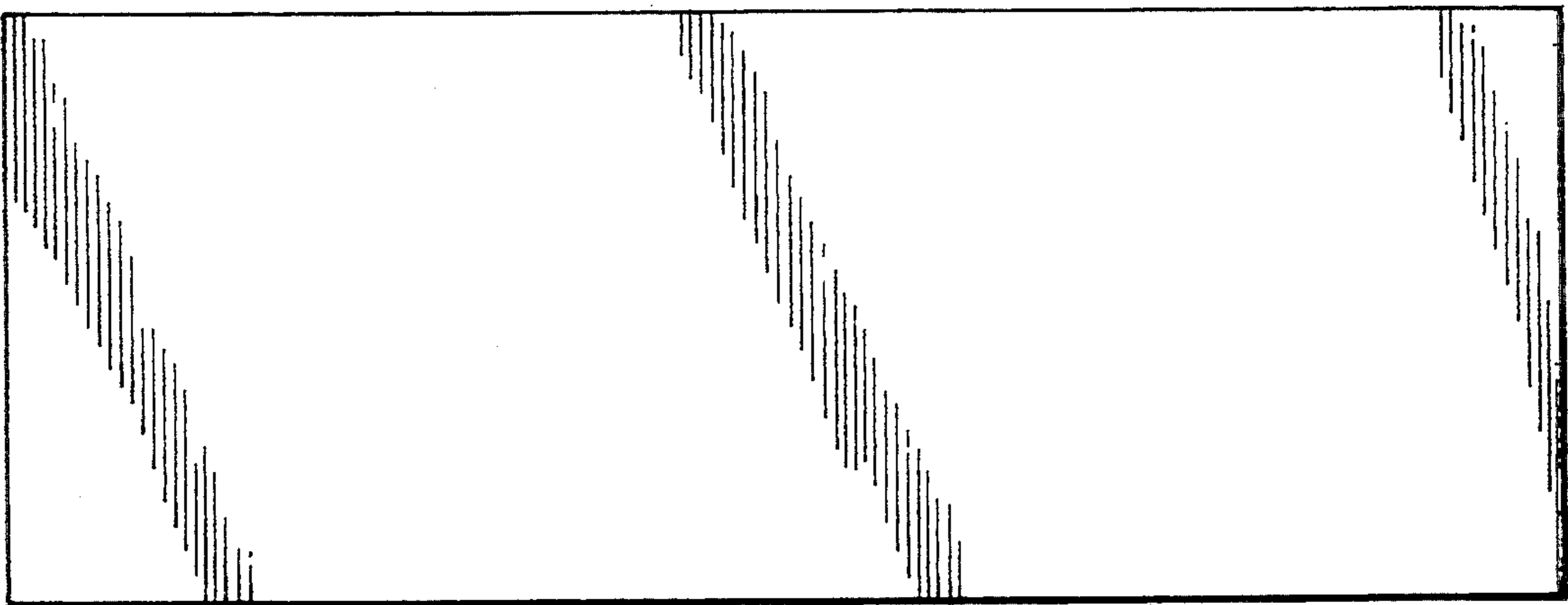
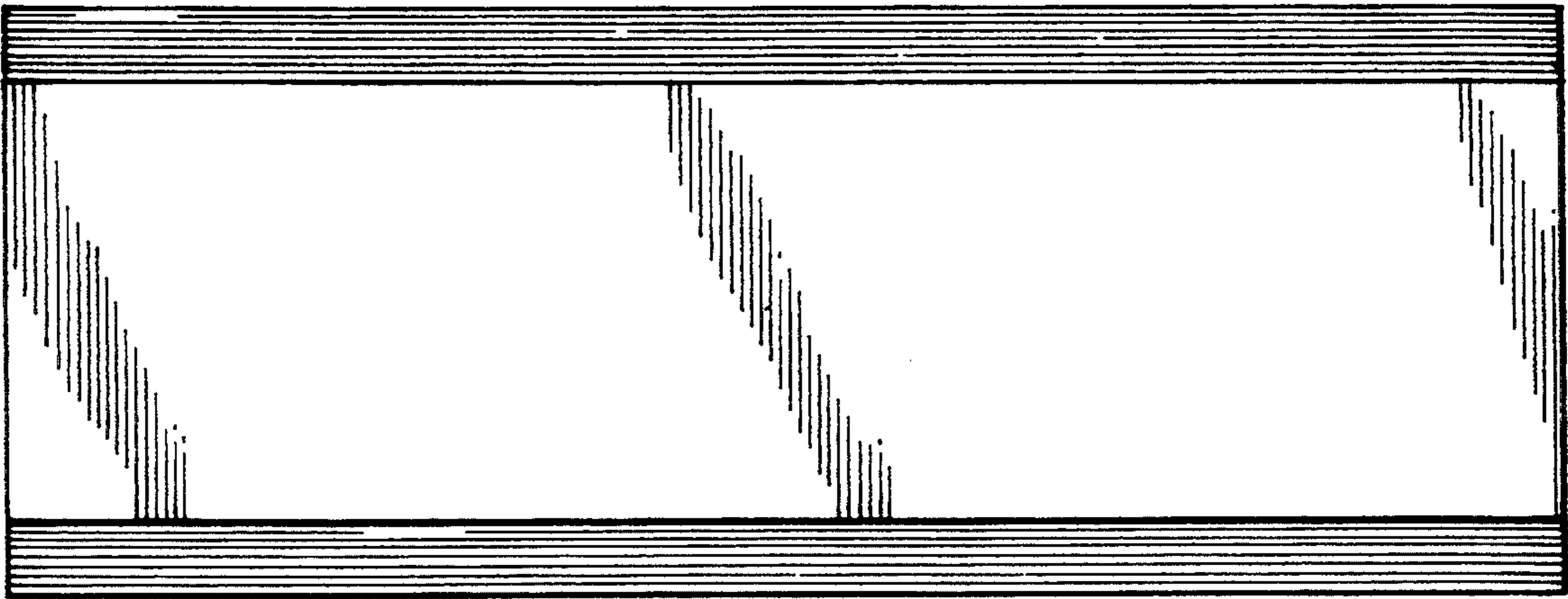


*FIG. 1*



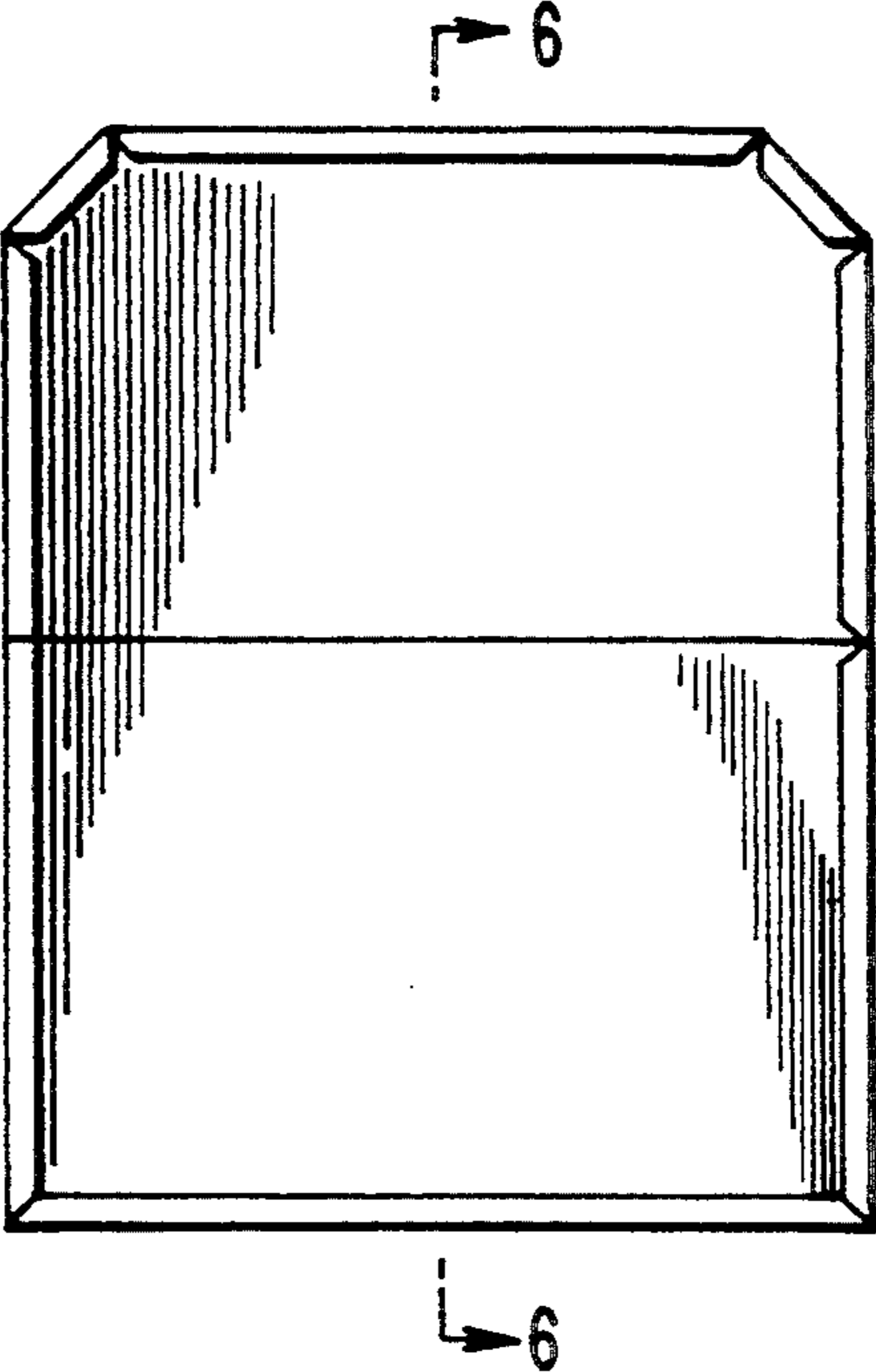
*FIG. 2*

*FIG. 3*

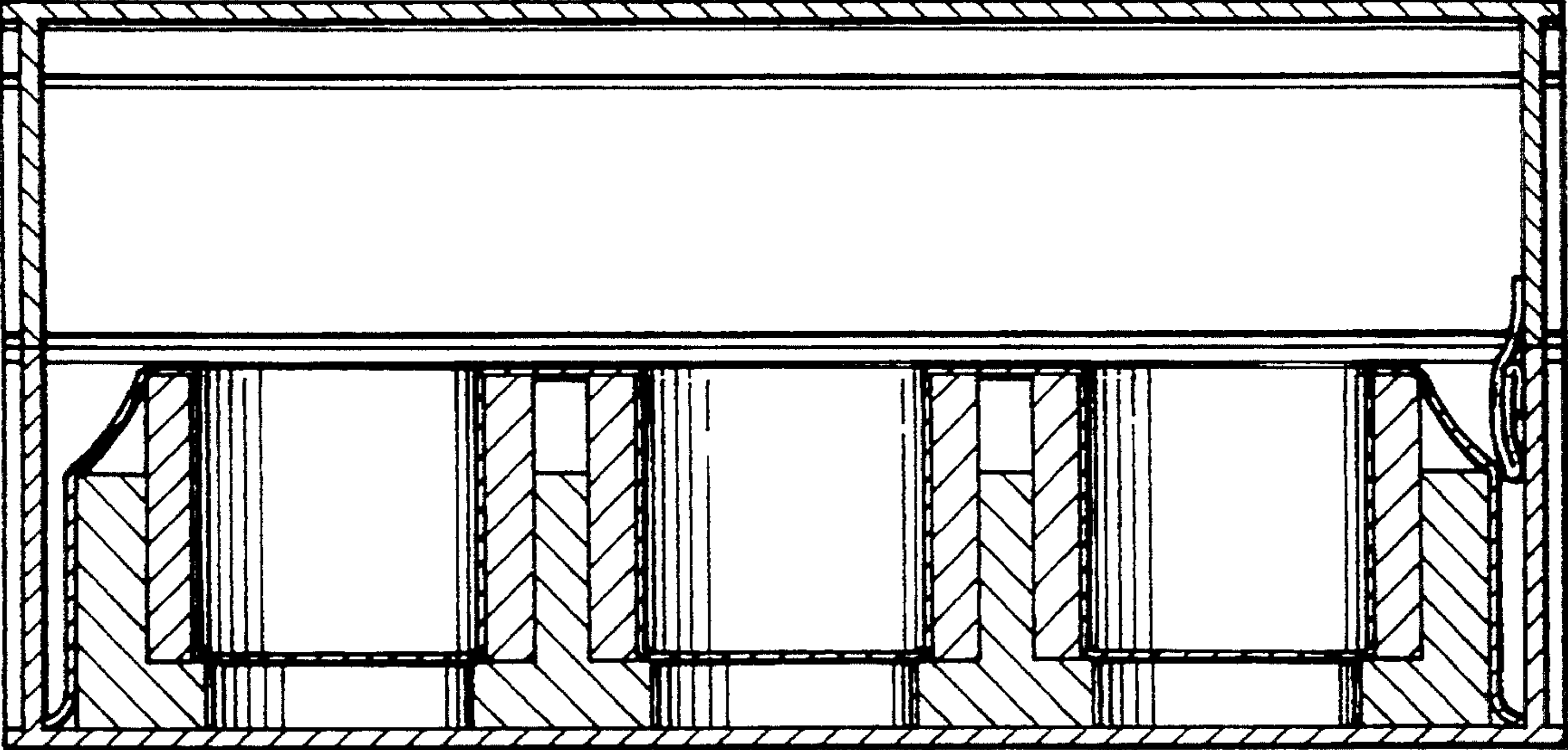


*FIG. 4*

*FIG. 5*

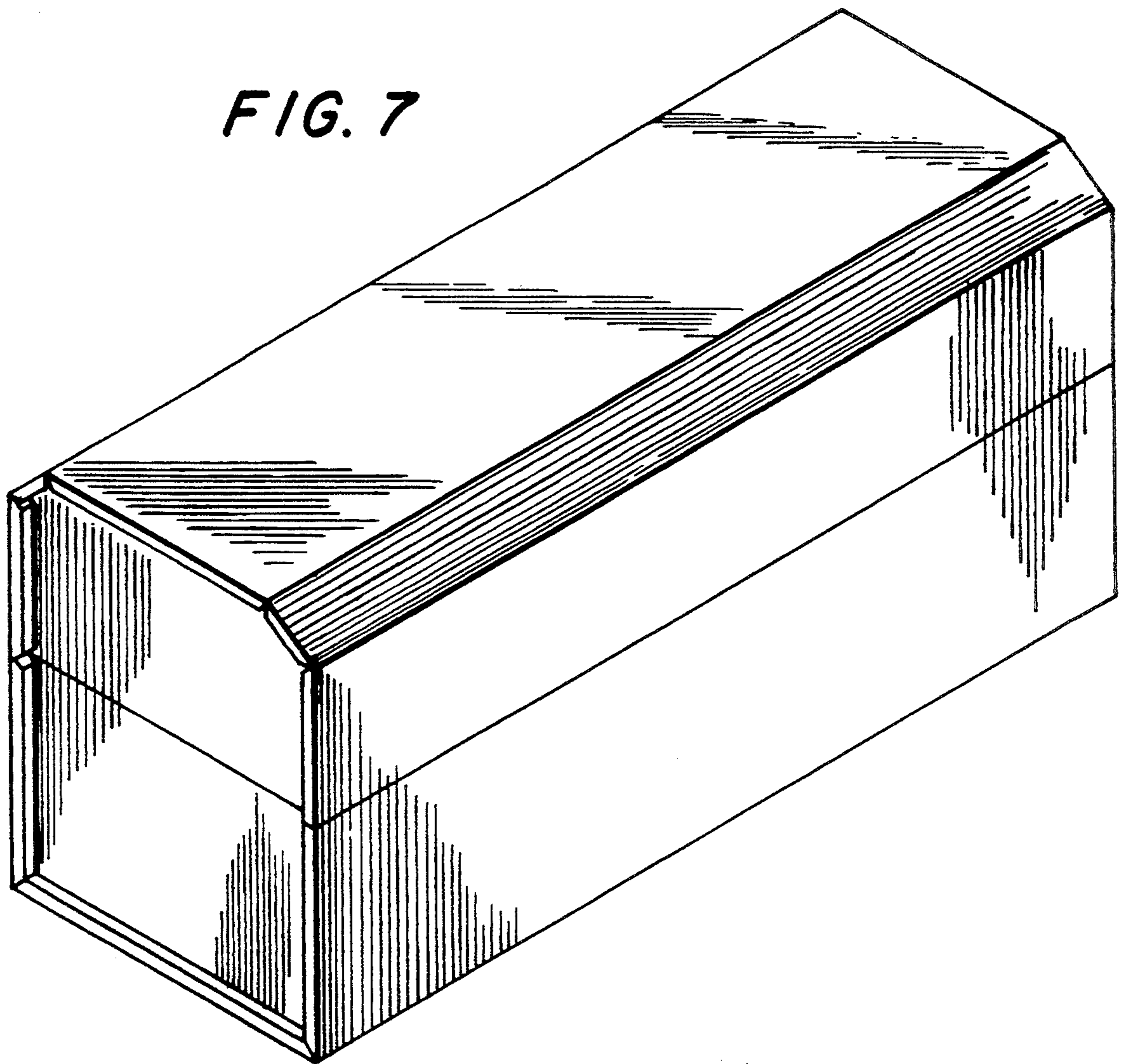


*FIG. 6*





*FIG. 7*



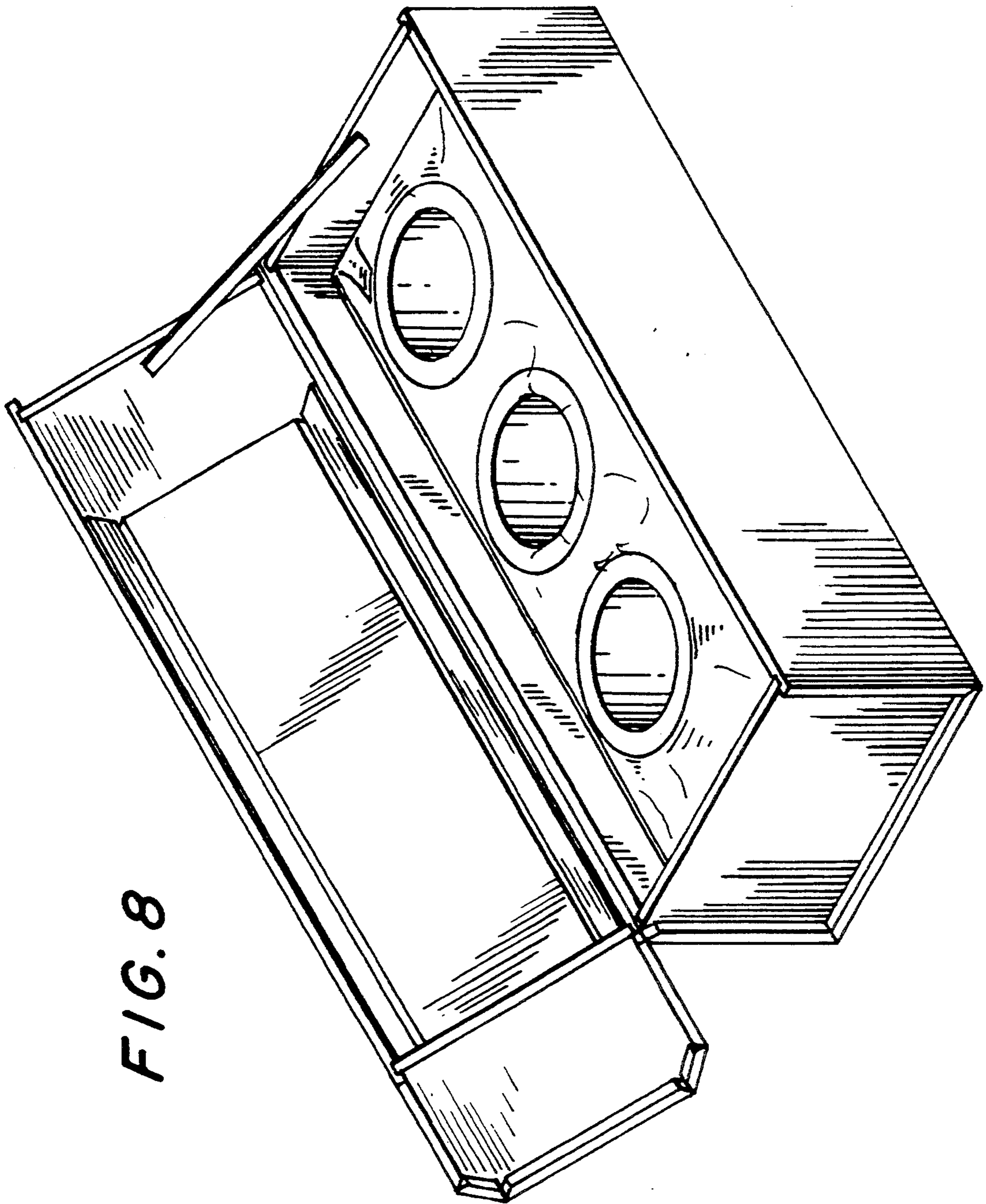


FIG. 8