



US00D361659S

United States Patent [19]

[11] Patent Number: **Des. 361,659**

Kahl et al.

[45] Date of Patent: **** Aug. 29, 1995**

[54] **TACKLE BOX**

[75] Inventors: **W. Henry Kahl, Wooster; John Koenig, Columbus, both of Ohio**

[73] Assignee: **Rubbermaid Specialty Products Inc., Wooster, Ohio**

[**] Term: **14 Years**

[21] Appl. No.: **10,018**

[22] Filed: **Jun. 28, 1993**

[52] U.S. Cl. **D3/260; D3/905**

[58] Field of Search **D3/260, 254, 905, 276, D3/281, 282, 291, 292, 294; 206/315.11; 190/114; 43/57.1, 54.1**

3,493,102 2/1970 Belokin, Jr. .

3,600,840 8/1971 Meyer .

3,606,005 9/1971 Meksula .

3,606,511 9/1971 Henning et al. .

3,628,843 12/1971 Wynne et al. .

3,948,579 4/1976 Schirmer .

3,967,869 7/1976 Jackson .

3,985,409 10/1976 Kneier .

4,023,304 5/1977 Singer .

4,085,987 4/1978 Vartdal 312/269

4,118,086 10/1978 Kneier 312/270

4,139,096 2/1979 Sieger 206/315.11

4,240,222 12/1980 Covington .

4,474,291 10/1984 Fortson 206/315.11

4,589,546 5/1986 Sunderland 206/315.11

4,691,470 9/1987 Landell et al. .

4,729,474 3/1988 Lanius et al. 206/315.11

4,739,577 4/1988 Lanius 43/54.1

4,768,651 9/1988 Lanius 206/315.11

4,782,619 11/1988 Richards 43/54.1

4,784,304 11/1988 Schweitzer 224/202

4,892,241 1/1990 Mavrakis 224/216

4,958,730 9/1990 Bunten 206/315

4,984,687 1/1991 Hanna et al. 206/373

5,238,142 8/1993 Hanna et al. 220/772

[56] **References Cited**
U.S. PATENT DOCUMENTS

D. 158,368 5/1950 Fetts et al. .

D. 161,866 2/1951 Peterson .

D. 218,266 8/1970 Belokin, Jr. .

D. 246,071 10/1977 Landell et al. .

D. 246,139 10/1977 Landell et al. .

D. 284,422 7/1986 Pomaville .

D. 299,586 1/1989 Lanius et al. .

D. 306,936 4/1990 McMillan et al. .

D. 308,915 7/1990 Lanius et al. .

D. 320,504 10/1991 Mroccka .

D. 322,164 12/1991 Hanna et al. .

D. 325,672 4/1992 Baker .

D. 328,818 8/1992 Hanna et al. .

D. 328,819 8/1992 Hanna et al. .

1,882,756 10/1932 Boynton .

2,299,375 10/1942 Bruske .

2,673,783 3/1954 Rahm et al. .

2,723,175 11/1955 Berry 312/269

2,936,066 5/1960 Meksula .

3,047,349 7/1962 Powell 312/287

3,050,356 8/1962 Messmer 312/201

3,182,872 5/1965 Brosseau .

3,251,638 5/1966 Schwartz .

3,301,619 1/1967 Mead .

3,310,905 3/1967 Davis et al. .

3,330,608 7/1967 Druger .

3,346,733 10/1967 Woolworth .

3,399,939 9/1968 Anderson .

3,410,018 11/1968 Woolworth .

3,481,066 12/1969 Woolworth .

3,490,169 1/1970 Tweed .

OTHER PUBLICATIONS

Pp. 2-5, Tackle Boxes; Woodstream, Ekco Canada, Inc., P.O. Box 210, Niagara Falls, Ontario, L2E 6T3. Publication Date 1992.

Cast Craft, Division of Chili Plastics, Inc, Front Cover, Tackle Boxes.

Primary Examiner—Doris V. Coles

Attorney, Agent, or Firm—Richard B. O'Planick; Lisa B. Riedesel

[57] **CLAIM**

The ornamental design for a tackle box, as shown and described.

DESCRIPTION

FIG. 1 is a top left front perspective view of a tackle box showing our new design;

FIG. 2 is a front elevational view thereof;

FIG. 3 is a right side elevational view thereof; the left side elevational view being a mirror image;

FIG. 4 is a rear elevational view thereof;

FIG. 5 is a top plan view thereof; and,

FIG. 6 is a bottom plan view thereof.

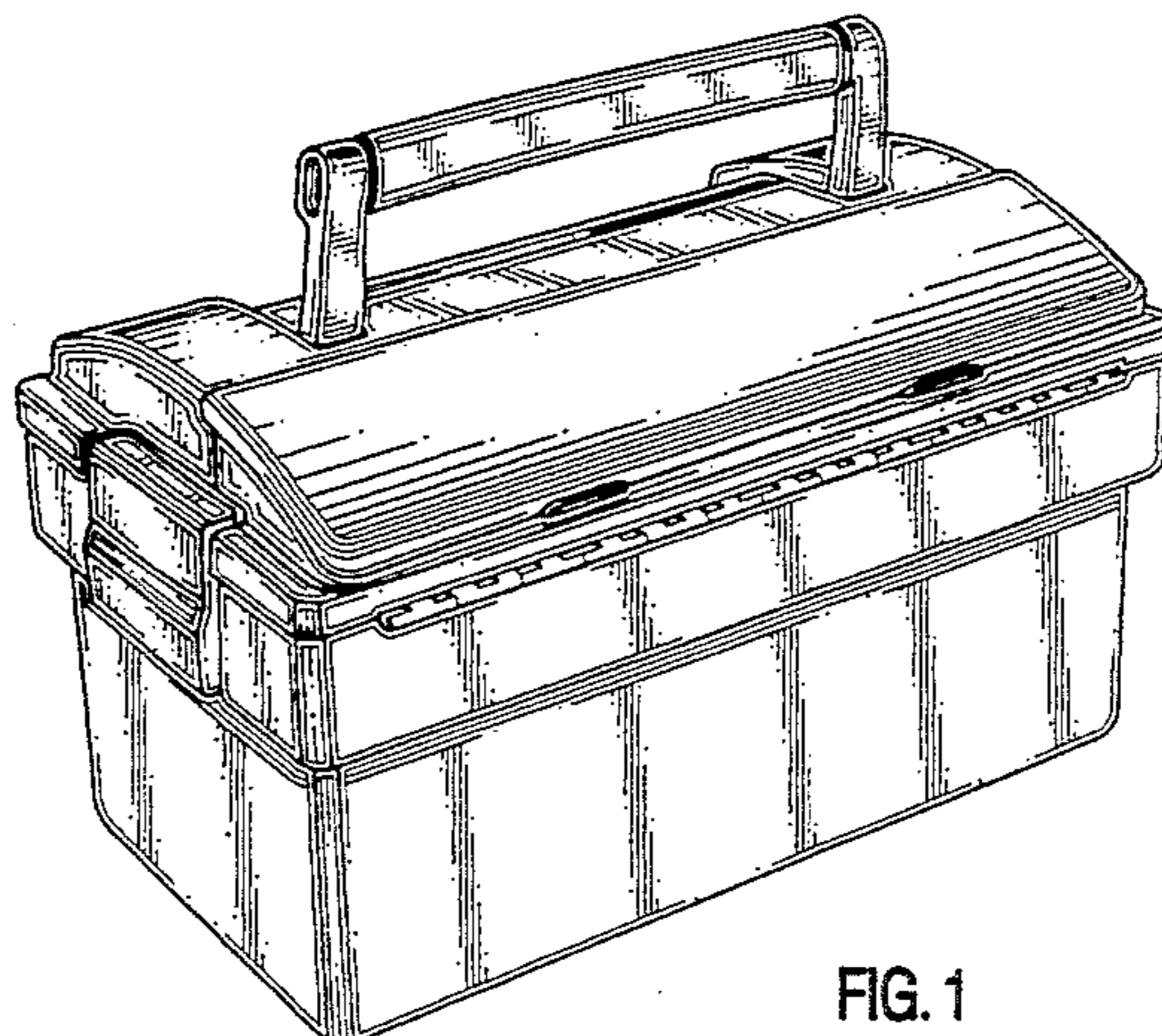


FIG. 1

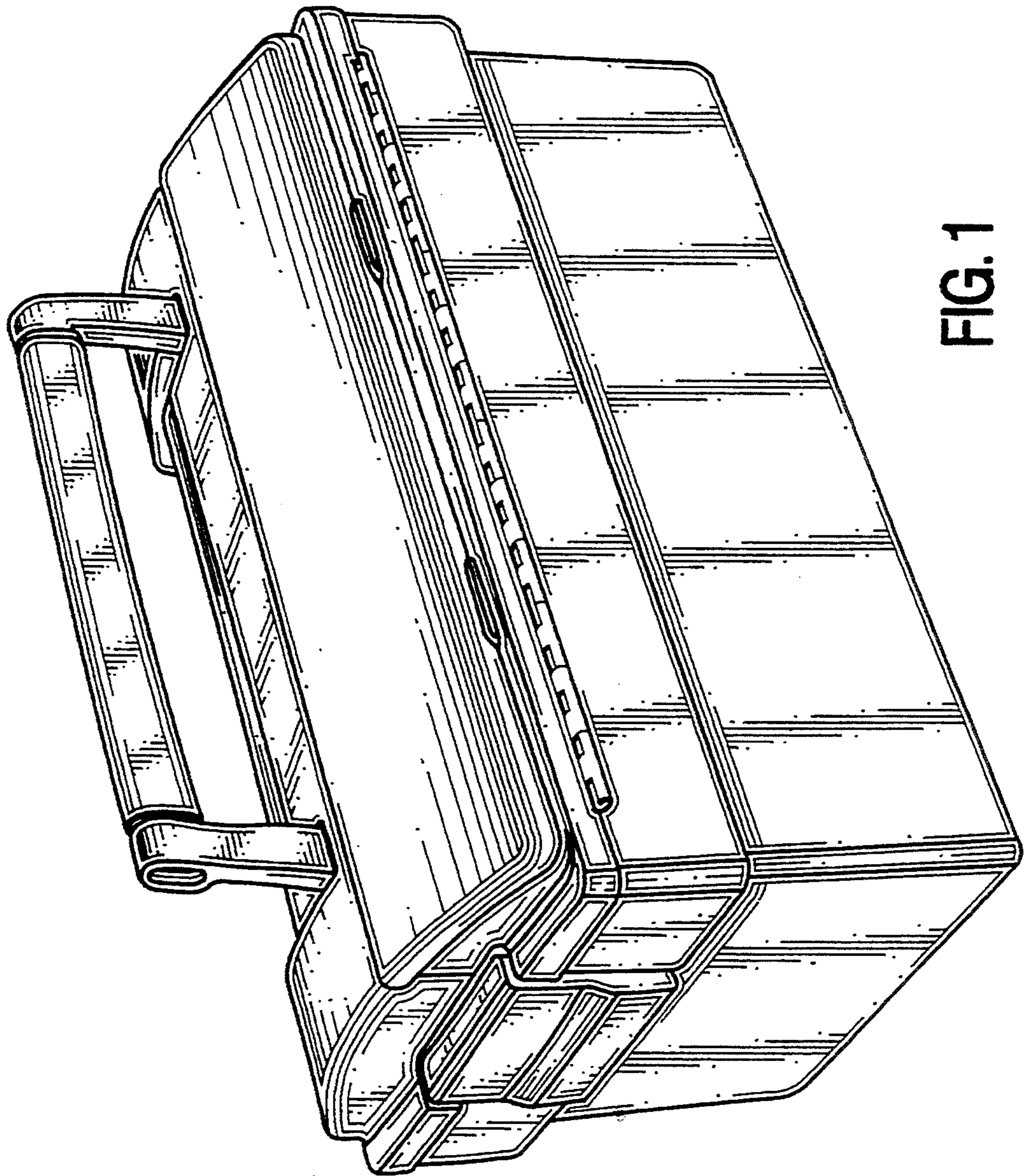


FIG. 1

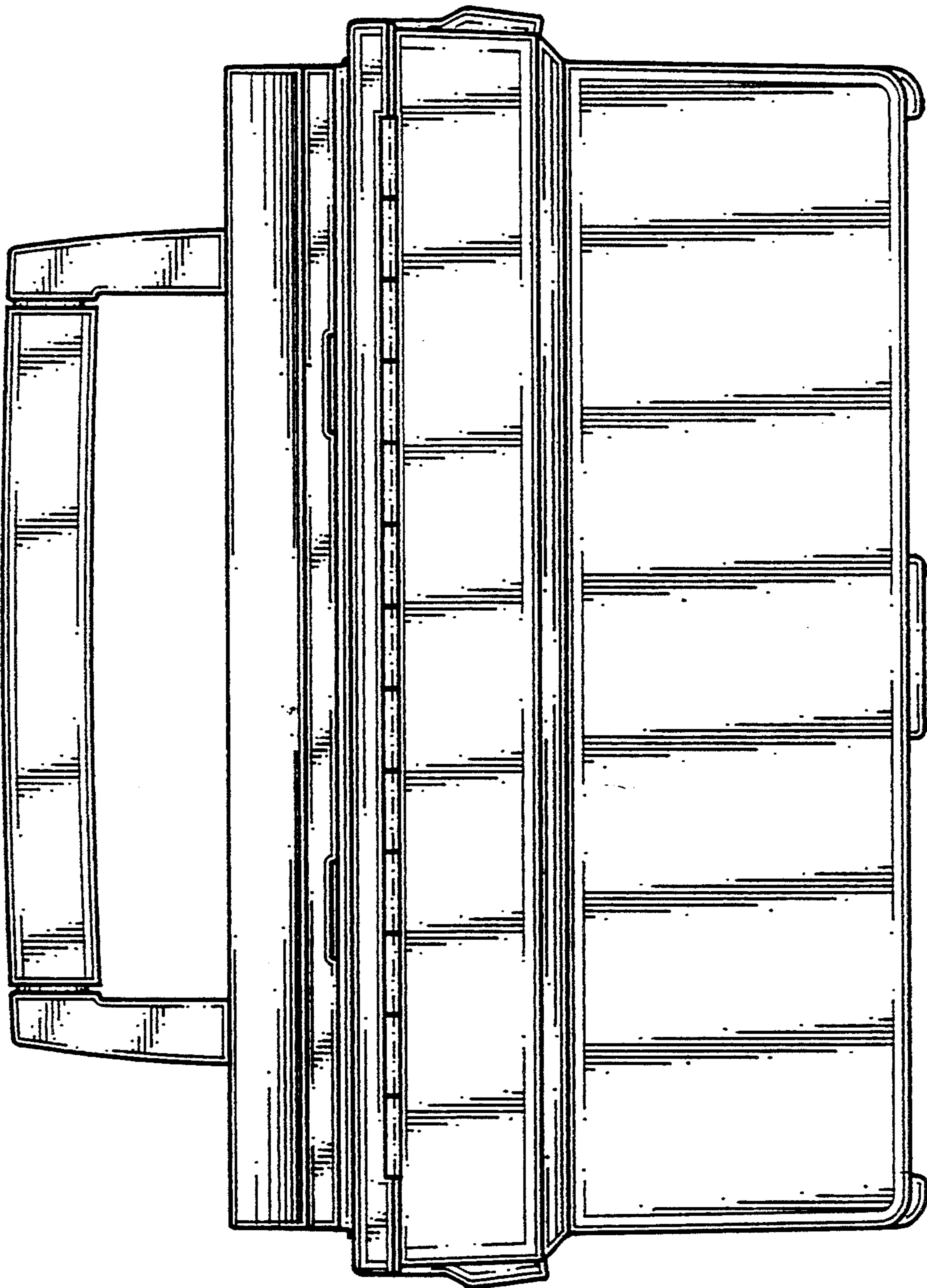


FIG. 2

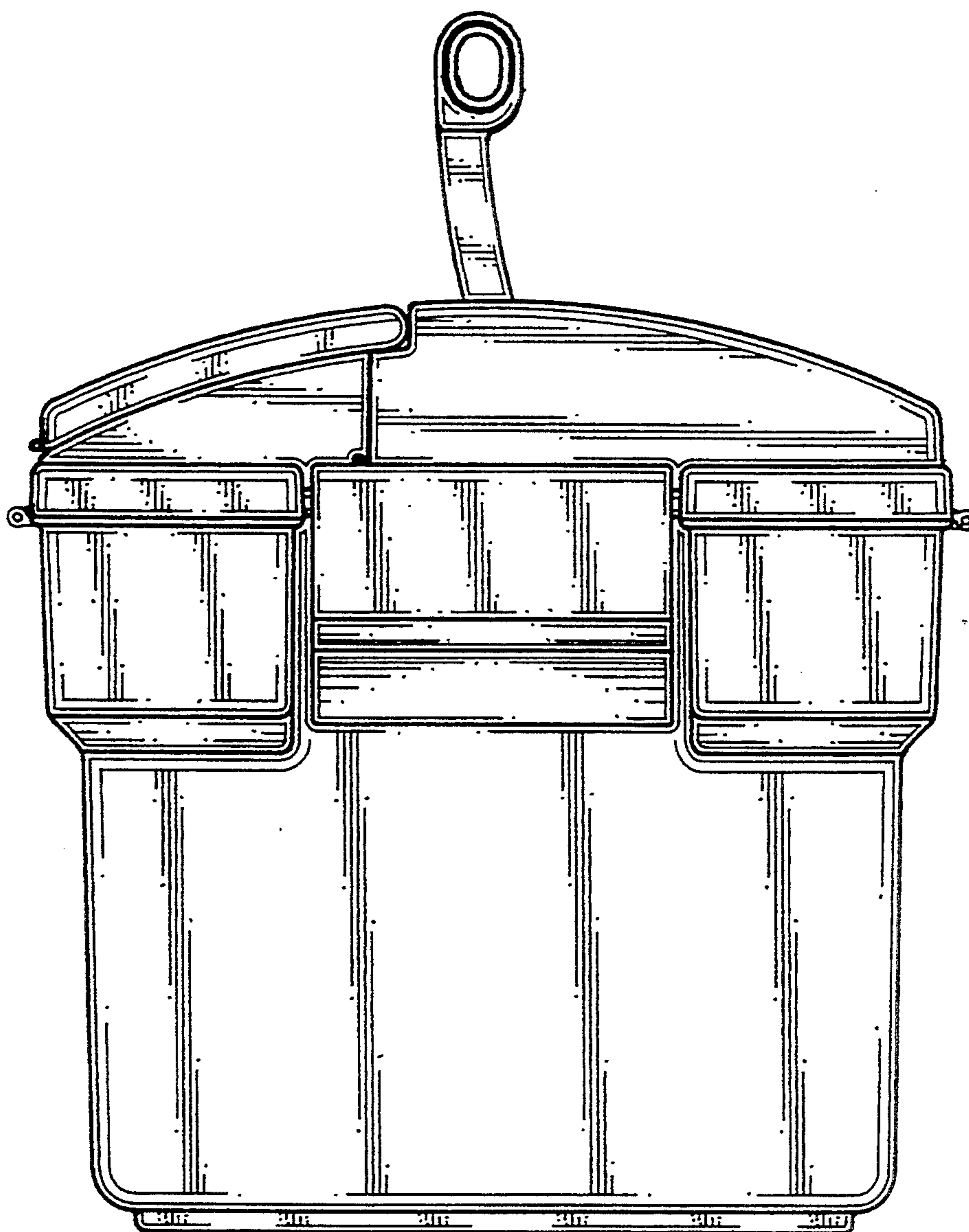


FIG. 3

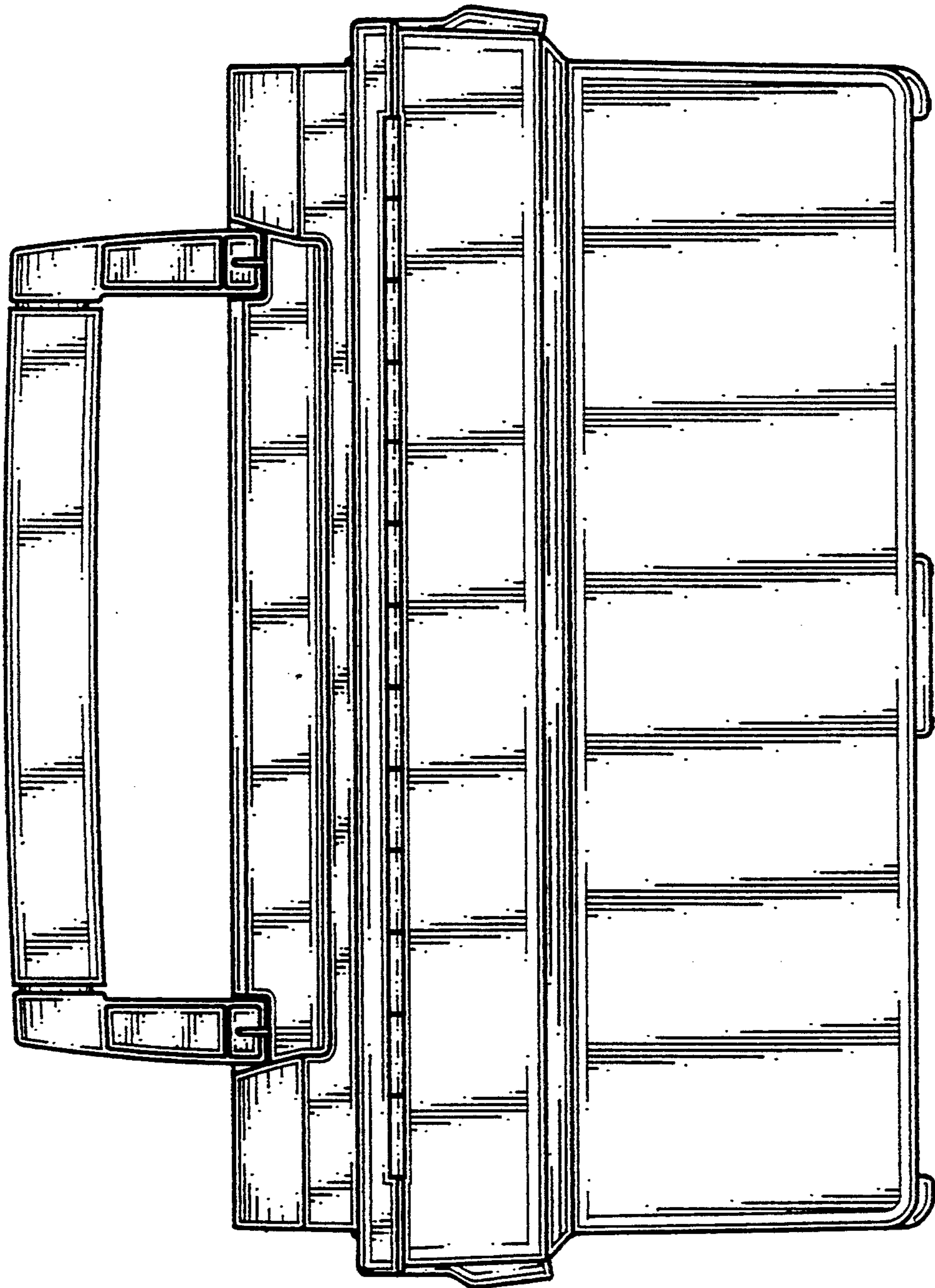


FIG. 4

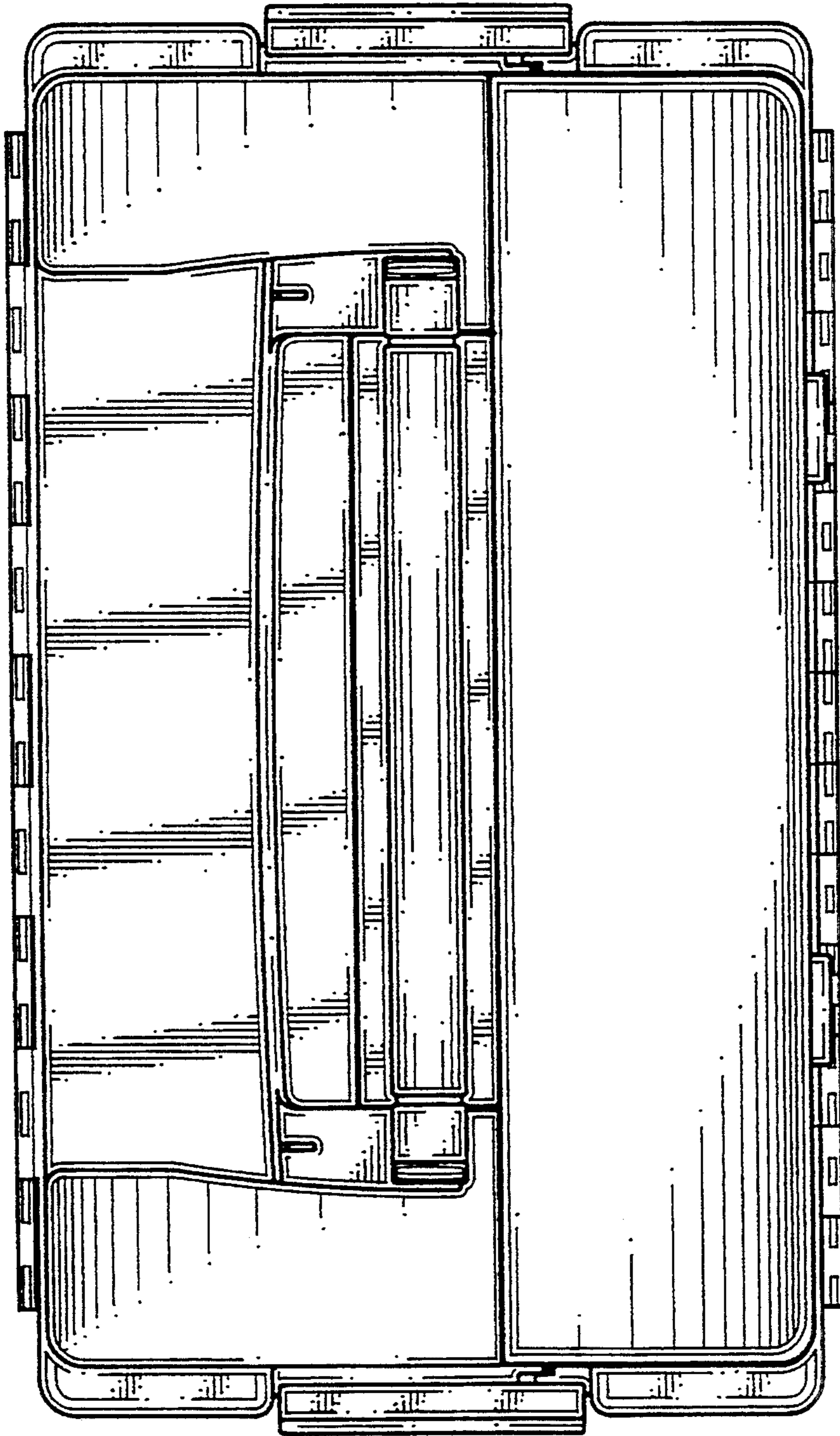


FIG. 5

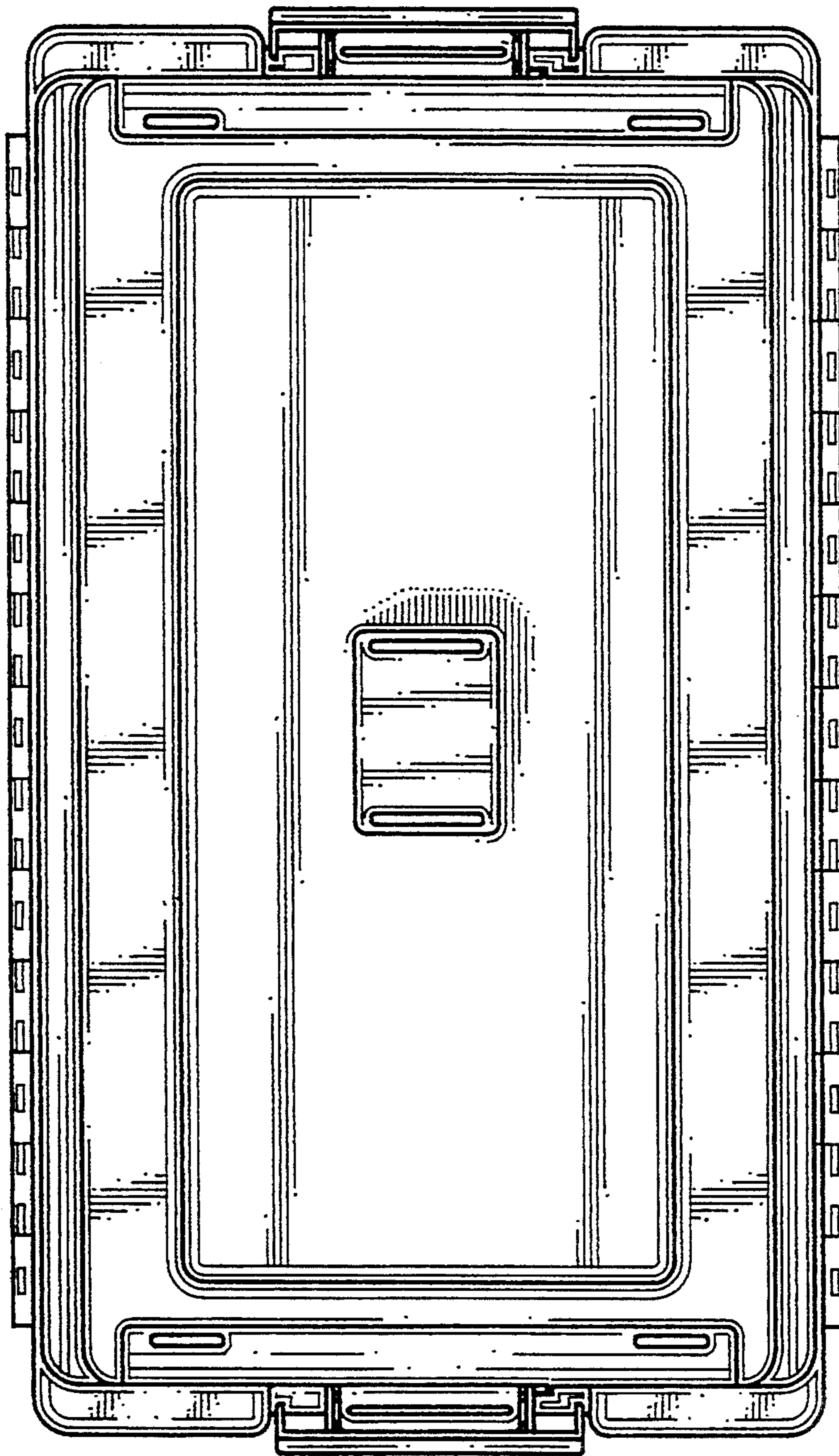


FIG. 6