



US00D361656S

United States Patent [19]

[11] Patent Number: **Des. 361,656**

Fogarty, Jr.

[45] Date of Patent: **** Aug. 29, 1995**

[54] **HAND GUN HOLSTER**

[76] Inventor: **Thomas C. Fogarty, Jr., P.O. Box 2238, Satellite Beach, Fla. 32937**

[**] Term: **14 Years**

[21] Appl. No.: **13,509**

[22] Filed: **Sep. 27, 1993**

[52] U.S. Cl. **D3/222**

[58] Field of Search **D3/222, 223, 215, 220, D3/226, 228; 224/232, 233, 234, 235, 236, 237, 238, 193, 196, 197, 198, 192, 240, 243, 252, 901, 904, 911, 912**

1,482,130 1/1924 Griest 224/904 X
 1,559,270 10/1925 Miller 224/235 X
 1,589,074 6/1926 Harris 224/235 X
 3,227,337 1/1966 Santo 224/911 X
 4,258,871 3/1981 McMahon 224/243 X

Primary Examiner—Louis S. Zarfes
Assistant Examiner—Catherine R. Oliver
Attorney, Agent, or Firm—William M. Hobby, III

[57] CLAIM

The ornamental design for a hand gun holster, as shown.

DESCRIPTION

FIG. 1 is a perspective view of a handgun holster showing my new design;

FIG. 2 is a front elevational view thereof;

FIG. 3 is a rear elevational view thereof;

FIG. 4 is a right side elevational view thereof;

FIG. 5 is a bottom plan view thereof;

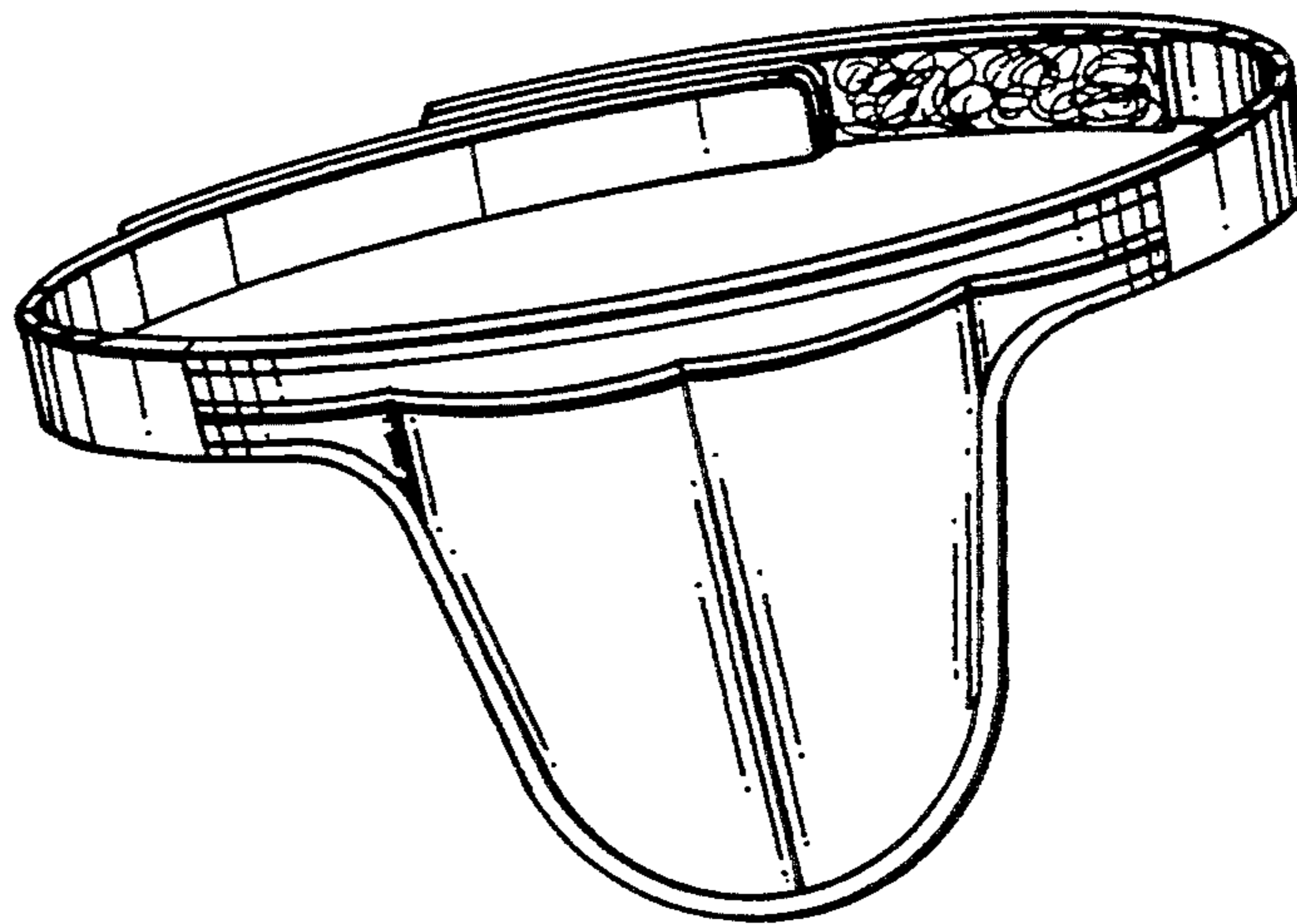
FIG. 6 is a left side elevational view thereof; and,

FIG. 7 is a top plan view thereof.

[56] **References Cited**

U.S. PATENT DOCUMENTS

D. 283,043 3/1986 Pitts D3/226 X
 D. 329,021 9/1992 Robbins D3/226 X
 D. 333,570 3/1993 Murray D3/226
 601,725 4/1898 Zeugschmidt D3/220 X
 1,113,590 10/1914 Williamson 224/252
 1,409,866 3/1922 Kendall 224/236 X



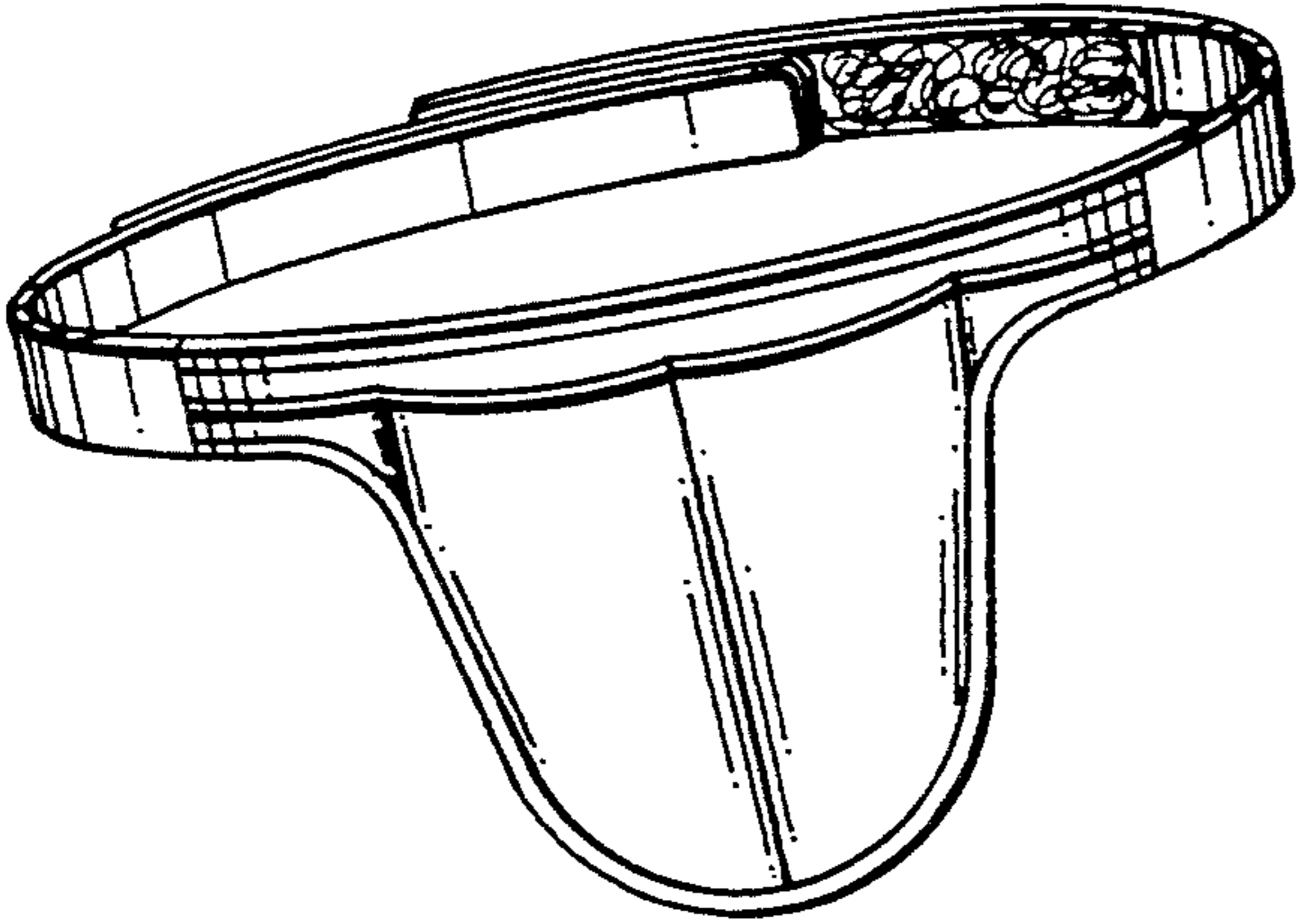


FIG. 1

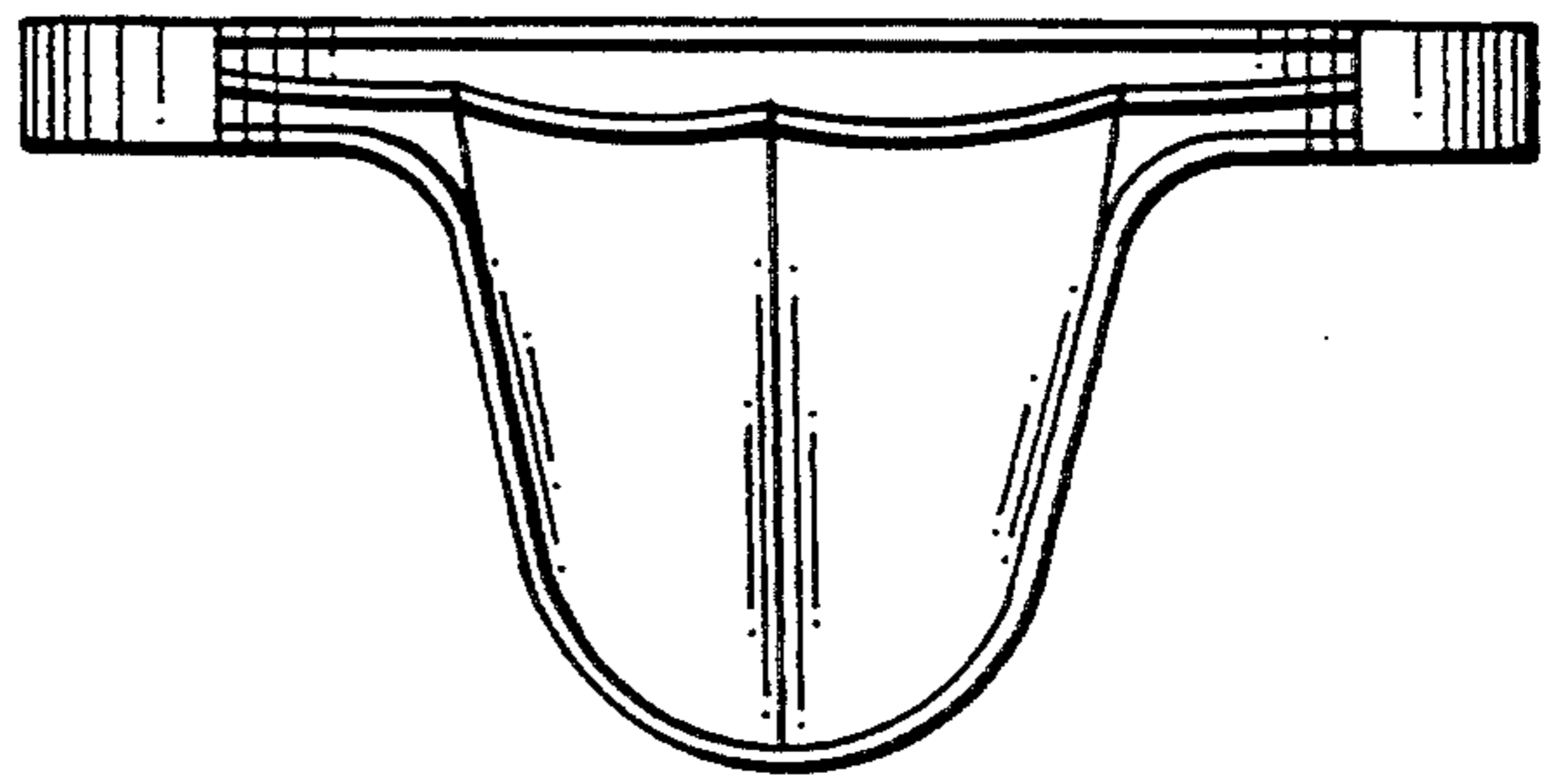


FIG. 2

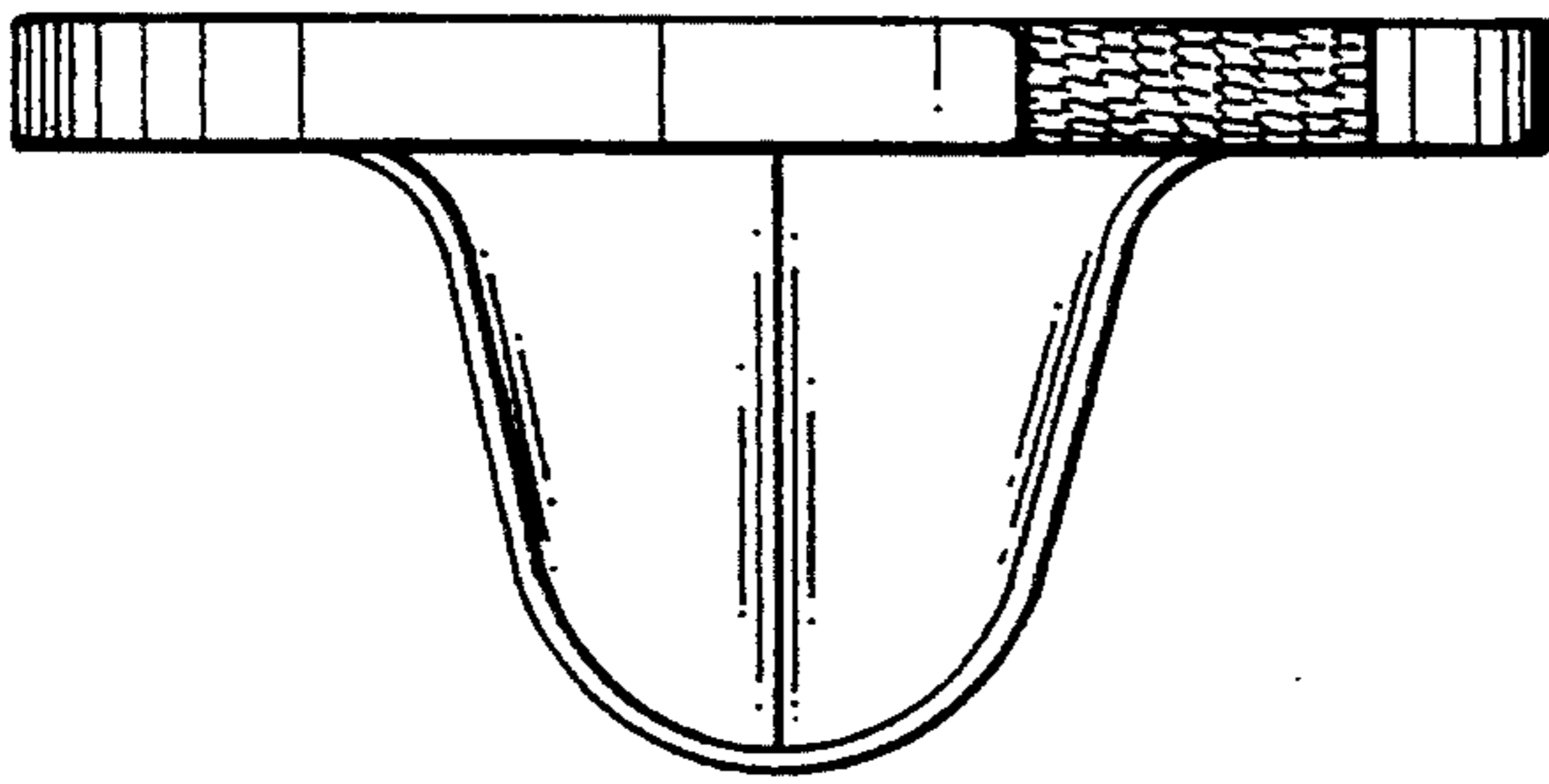


FIG. 3

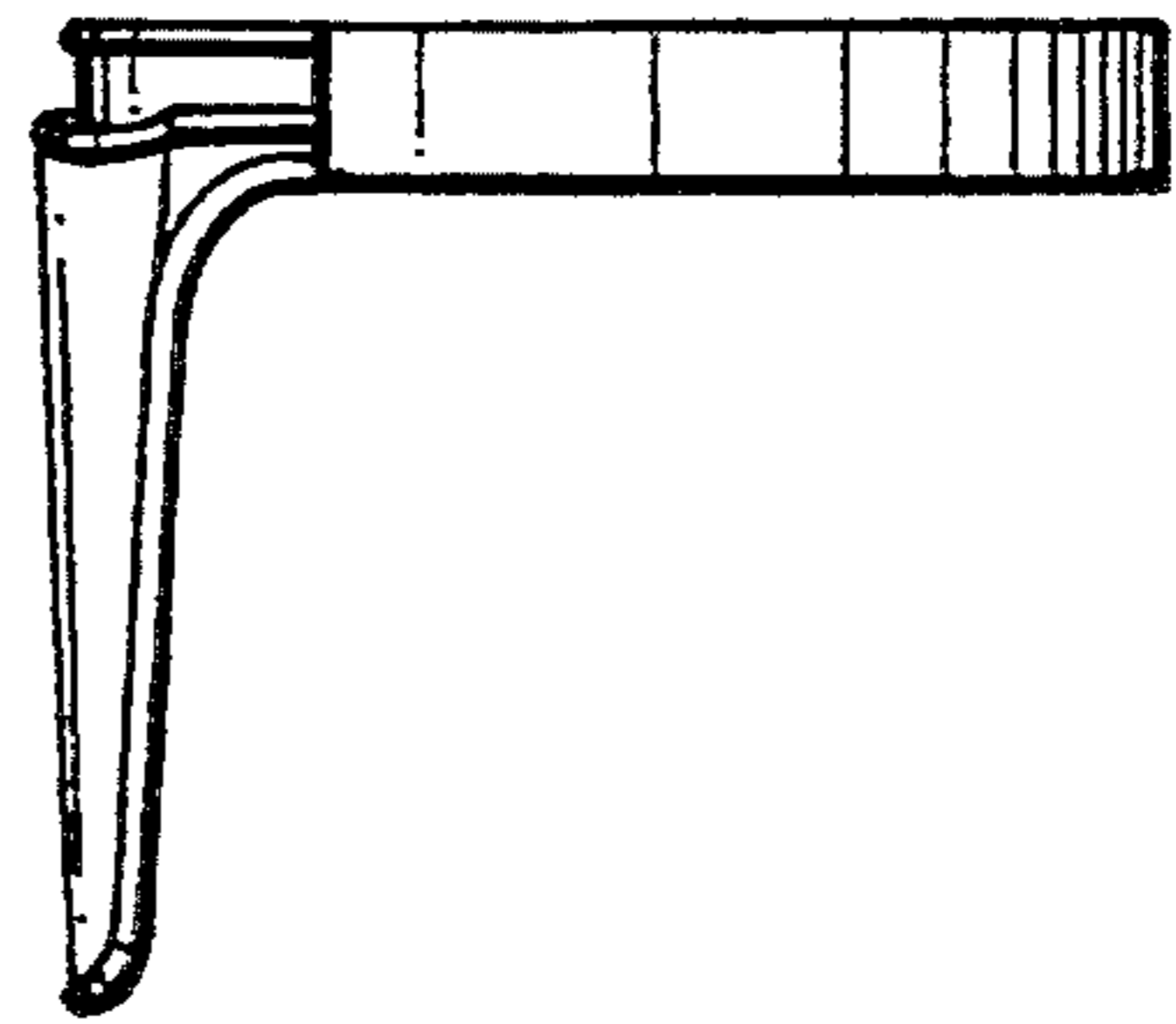


FIG. 4

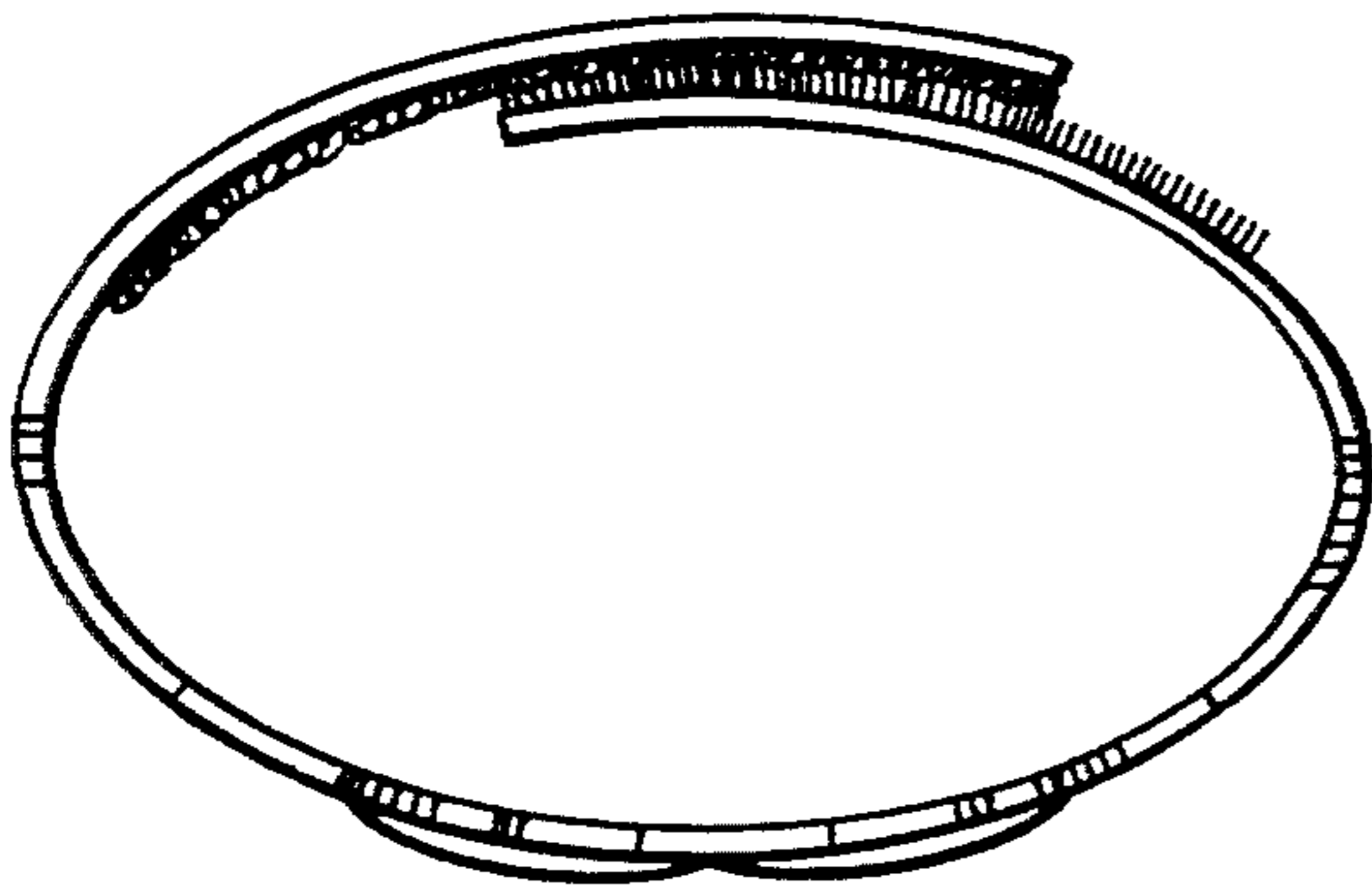


FIG. 5

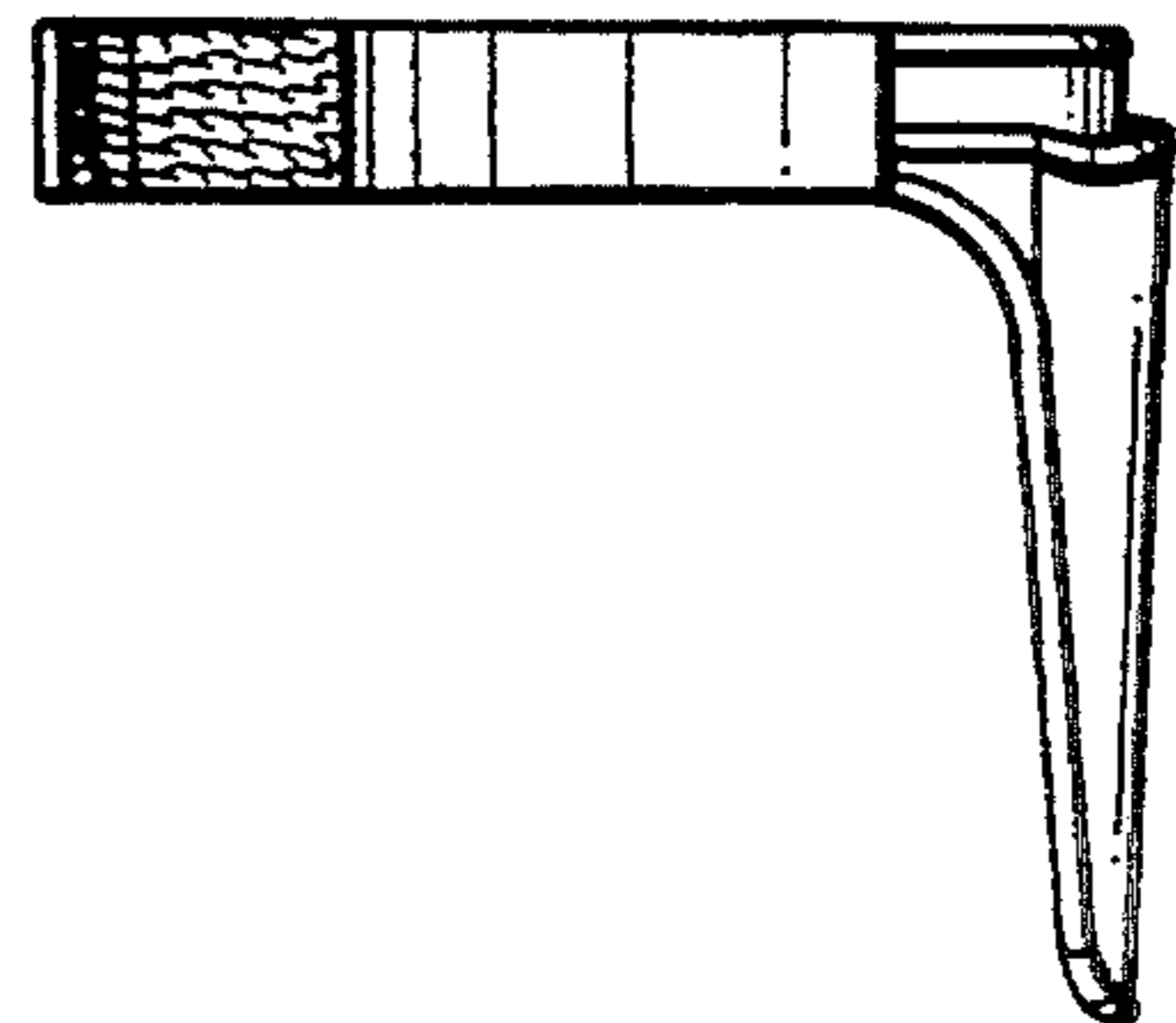


FIG. 6

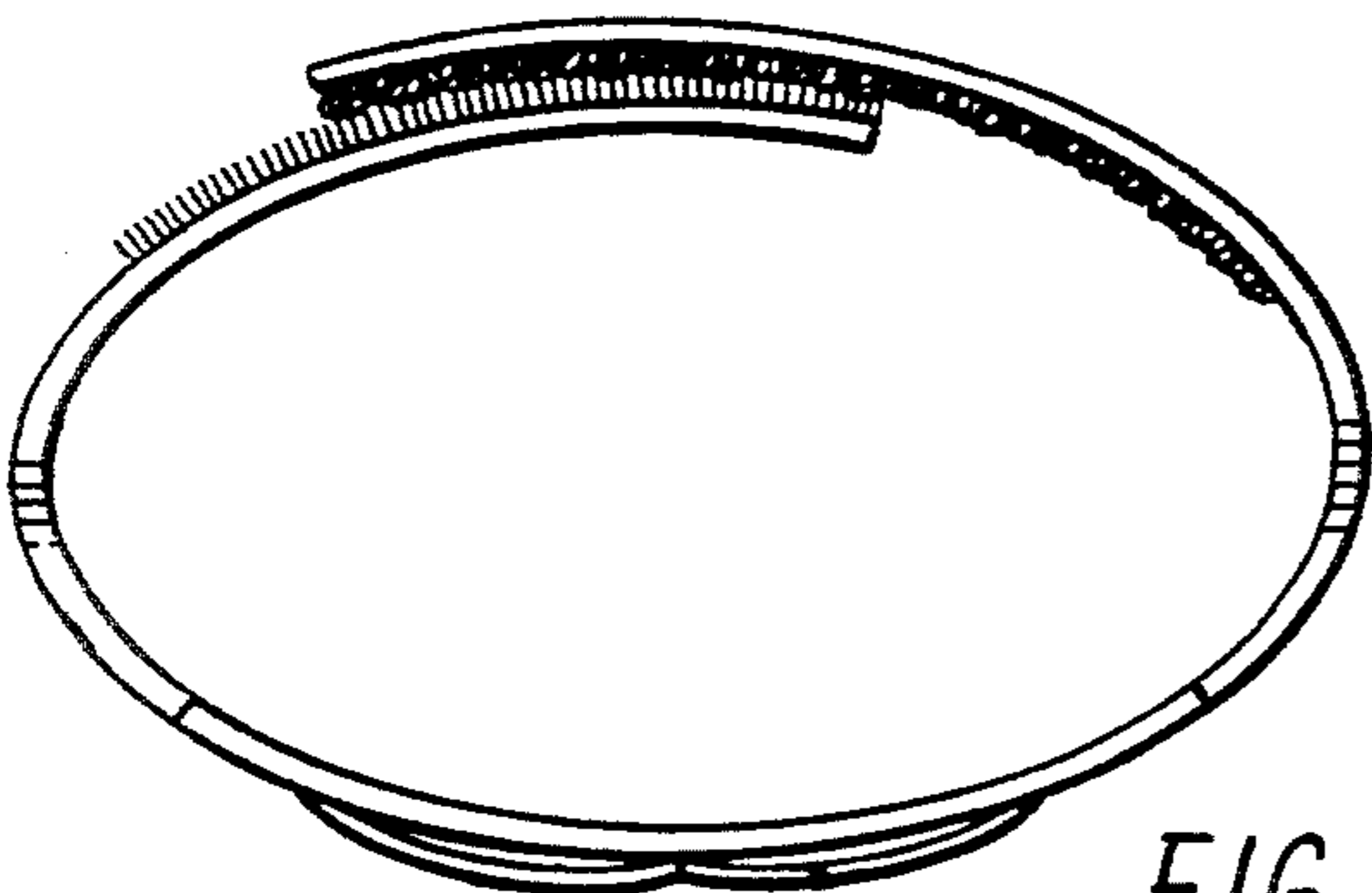


FIG. 7