



US00D361654S

United States Patent [19]

[11] Patent Number: **Des. 361,654**

Petracco

[45] Date of Patent: **** Aug. 29, 1995**

[54] **COMBINED UMBRELLA AND BODY ATTACHABLE UMBRELLA SUPPORT**

4,537,339 8/1985 Pearson 224/186
5,323,941 6/1994 Sobolev 224/915

[76] Inventor: **Angelo L. Petracco**, 446 Hamilton South, Sciota, Pa. 18354

Primary Examiner—Ralf T. Seifert
Attorney, Agent, or Firm—David L. Baker; Henry S. Miller; Rhodes & Ascolillo

[**] Term: **14 Years**

[57] **CLAIM**

[21] Appl. No.: **18,660**

The ornamental design for a combined umbrella and body attachable umbrella support, as shown and described.

[22] Filed: **Feb. 14, 1994**

[52] U.S. Cl. **D3/5; D3/10**

[58] Field of Search **D3/5-17; 224/186, 915; D6/416; 135/20.1, 15.1**

DESCRIPTION

[56] **References Cited**

U.S. PATENT DOCUMENTS

D. 345,856	4/1994	Johnson	D3/10
725,069	4/1903	Gill	135/20.1
988,485	4/1911	Mitchell	D3/10 X
2,496,769	2/1950	Battle	135/20.1
2,926,826	3/1960	Conrad	D3/11
3,204,650	9/1965	Shinew	135/16
3,892,251	7/1975	Warfield	135/15.1
4,188,965	2/1980	Morman	D3/5

FIG. 1 is a perspective view of a combined umbrella and body attachable umbrella support showing my new design therefor. The broken line drawing representing a human figure is for purposes of illustration only and forms no part of my design.

FIG. 2 is a front elevational view;
FIG. 3 is a rear elevational view;
FIG. 4 is a top plan view;
FIG. 5 is a left side elevational view;
FIG. 6 is a right side elevational view; and,
FIG. 7 is a bottom plan view.

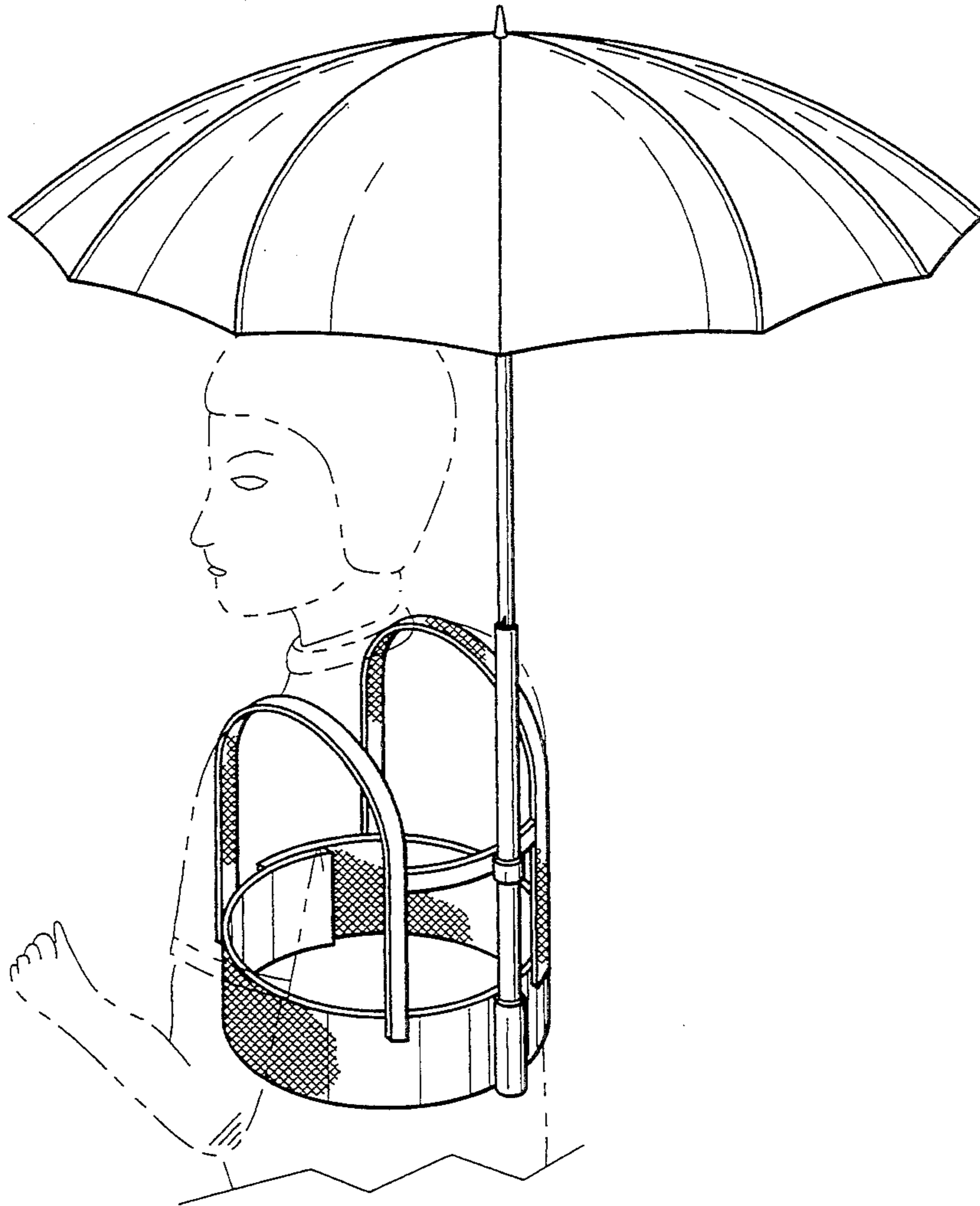


FIG. 1

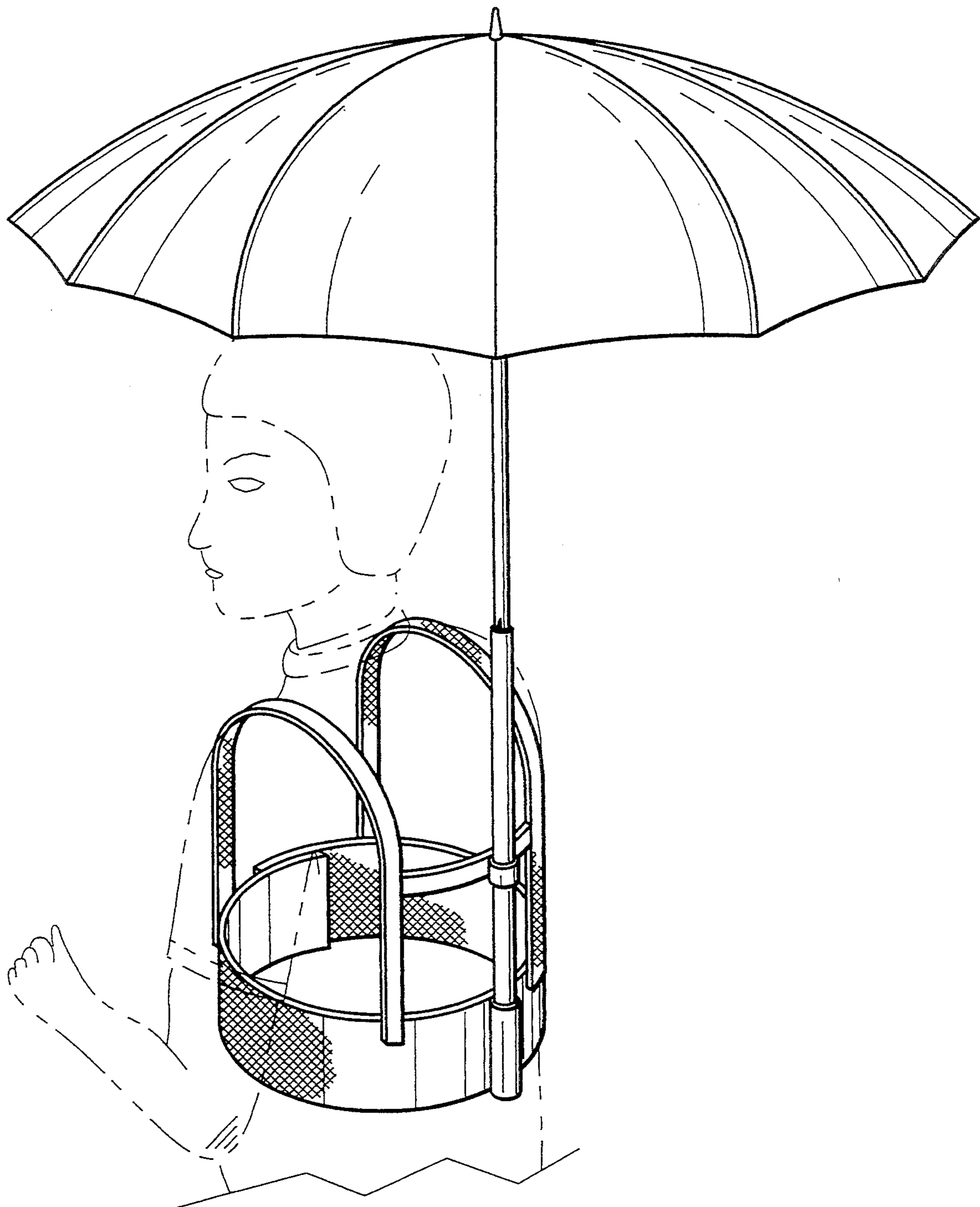


FIG. 2

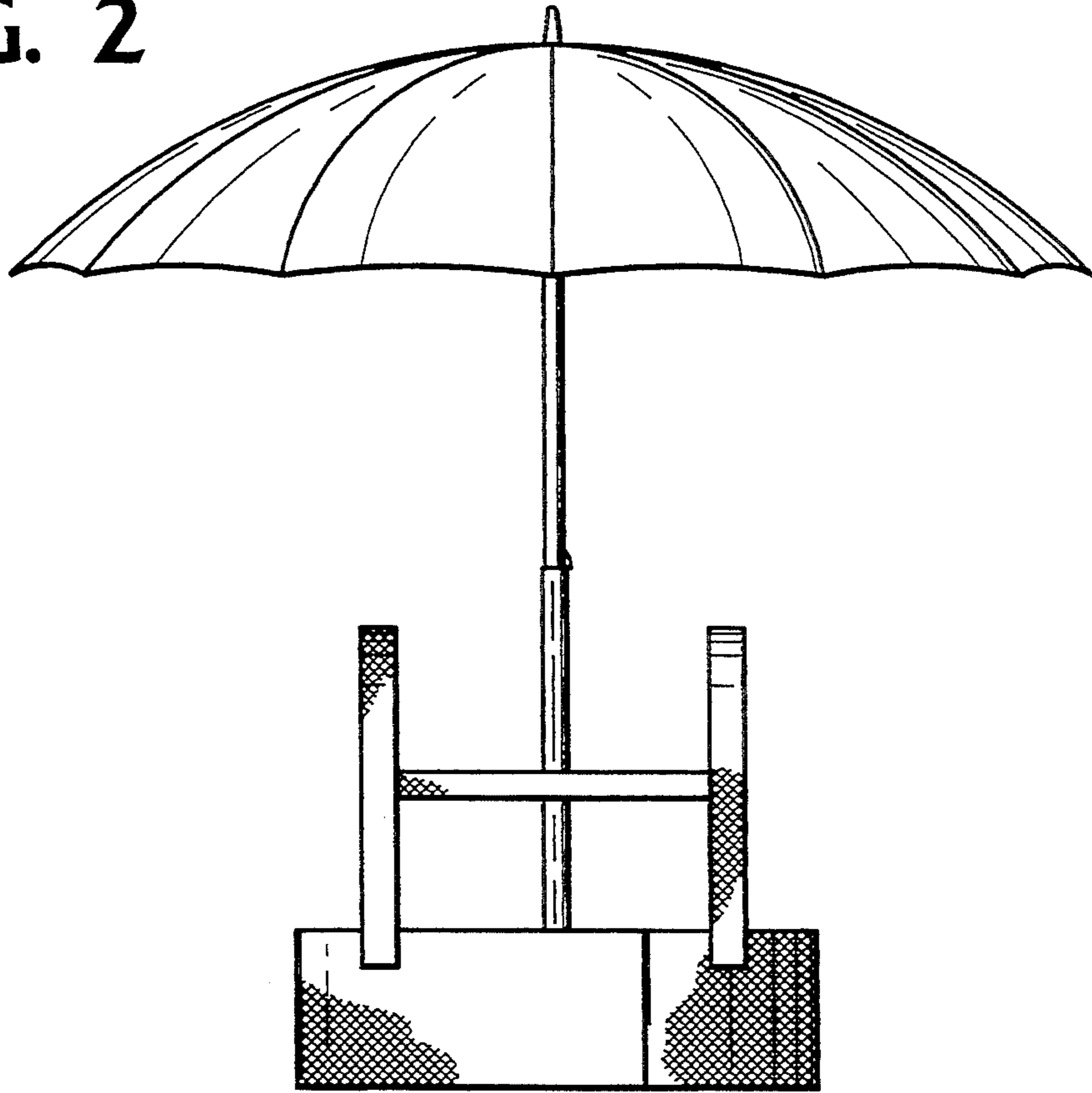


FIG. 3

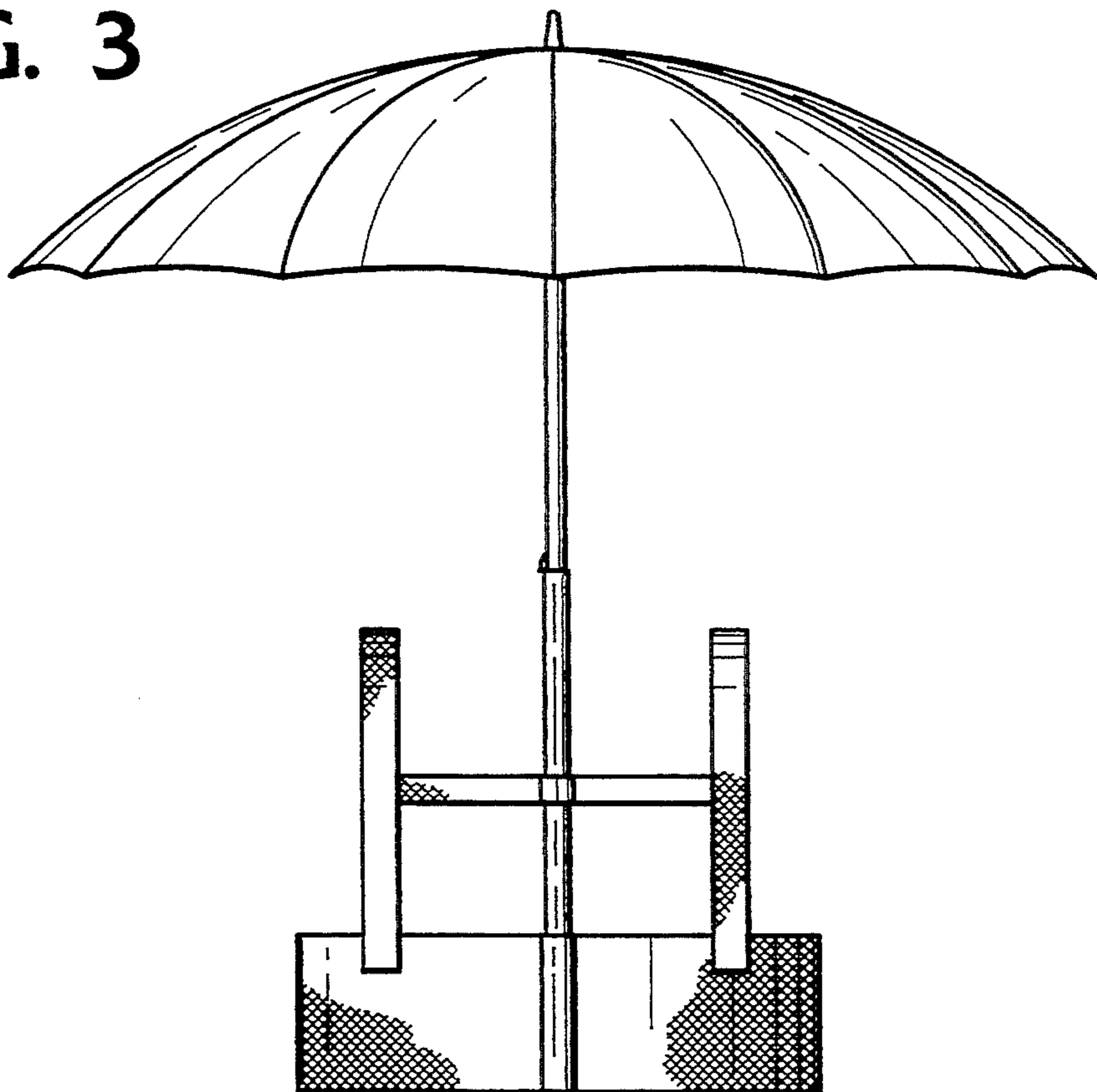


FIG. 4

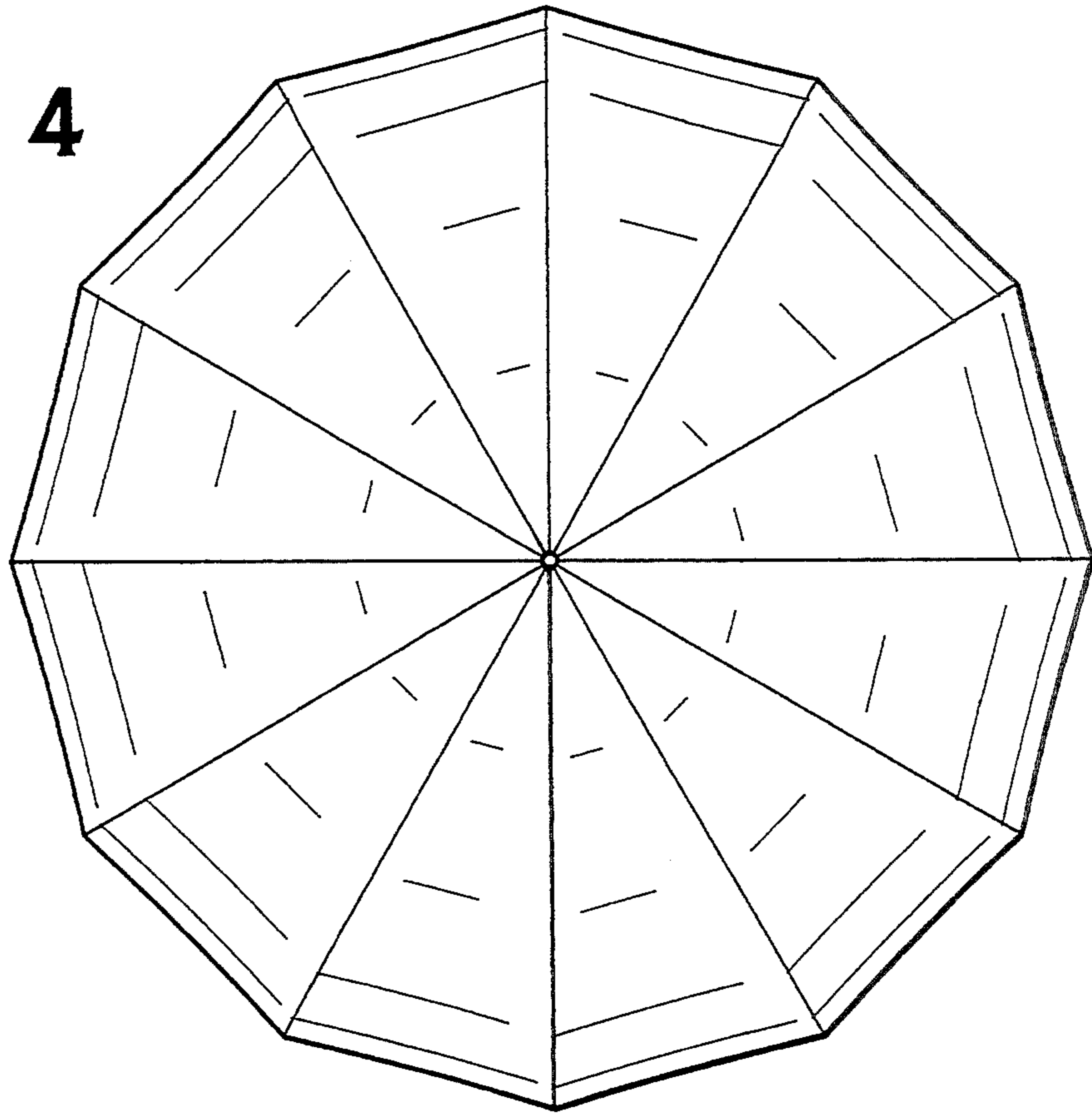


FIG. 5

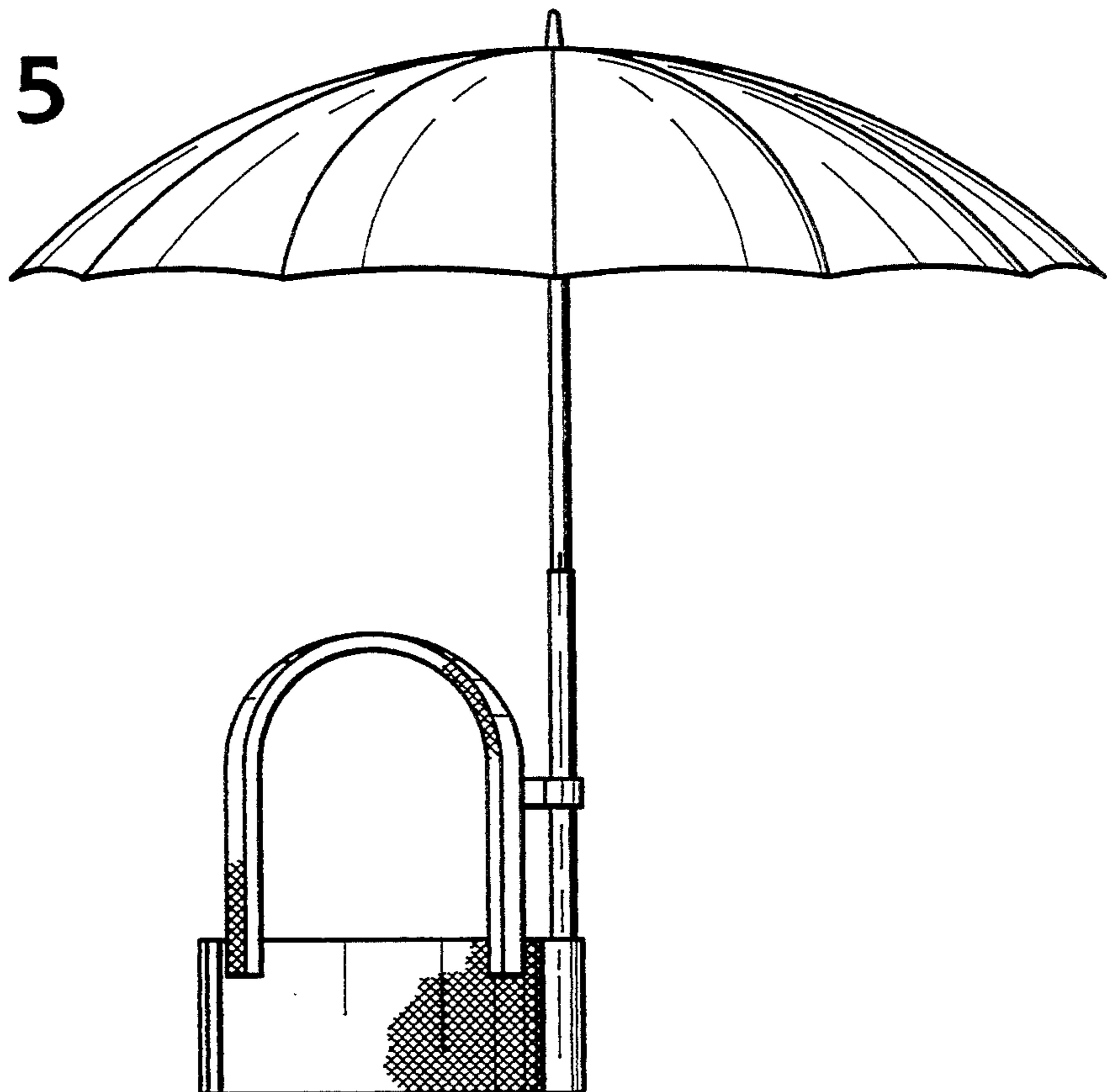


FIG. 6

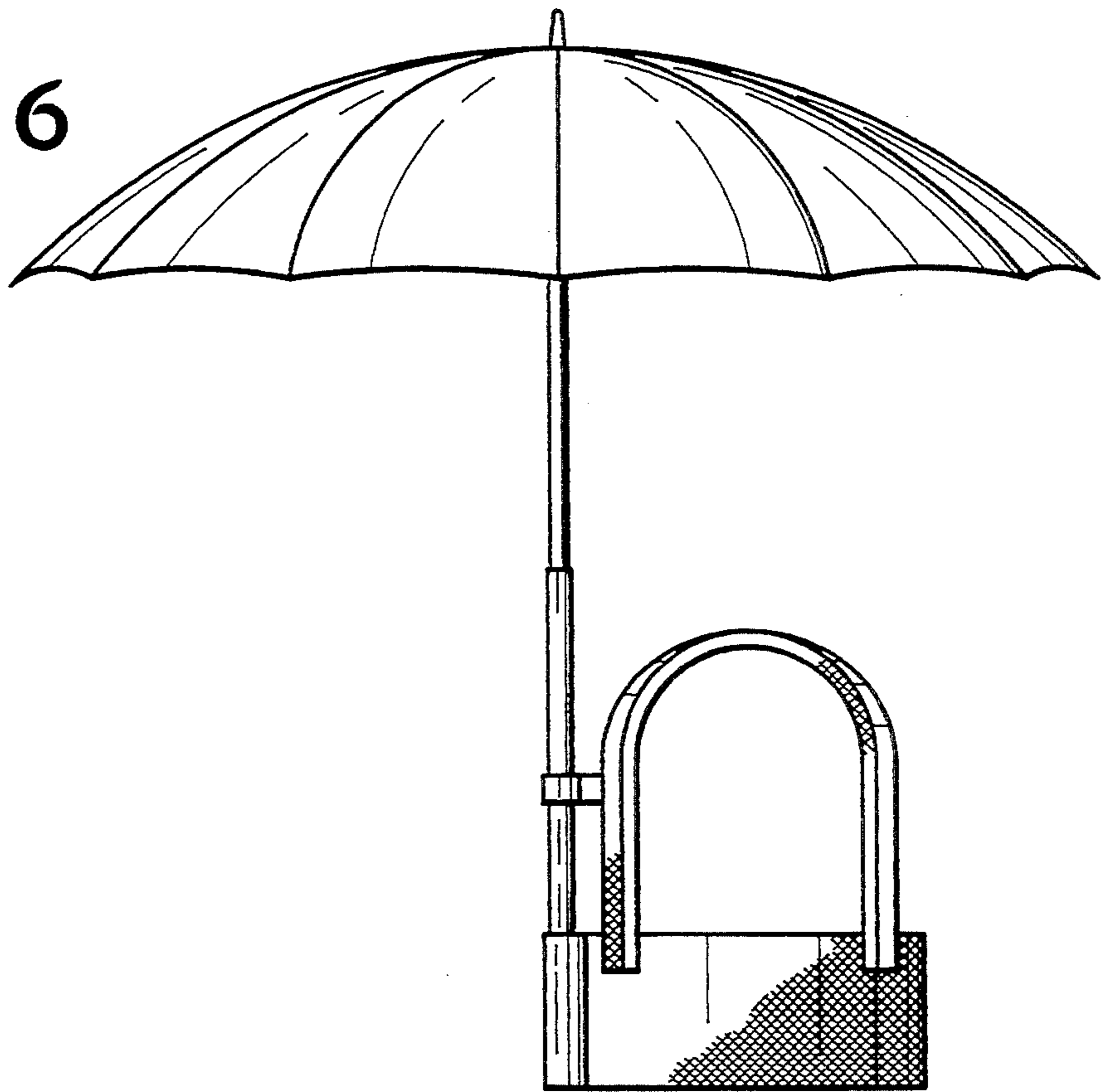


FIG. 7

