



US00D361648S

United States Patent [19]

[11] Patent Number: **Des. 361,648**

Charboneau

[45] Date of Patent: **** Aug. 22, 1995**

[54] LIVESTOCK FEEDER

[76] Inventor: **Calvin A. Charboneau**, P.O. Box 88,
Gerald, Mo. 63037

[**] Term: **14 Years**

[21] Appl. No.: **5,396**

[22] Filed: **Mar. 3, 1993**

[52] U.S. Cl. **D30/121**

[58] Field of Search 119/58, 60, 51.03, 51.04;
D30/121-122, 129-133; D25/2

[56] References Cited

U.S. PATENT DOCUMENTS

D. 264,138	4/1982	Harden	D30/131
D. 293,948	1/1988	DePew	D30/131
3,020,881	2/1962	Strom	119/58
3,777,713	12/1973	Deats	119/60
3,851,624	12/1974	Peak	119/60
4,488,565	12/1984	Smith	119/60
4,653,431	3/1987	Owen	119/61

FOREIGN PATENT DOCUMENTS

2540705	8/1984	France	119/60
197806	6/1978	United Kingdom	119/60

OTHER PUBLICATIONS

Farm Implement & Machinery Review; Apr. 1965;
Globe Pig Troughs by John H. Rundle.

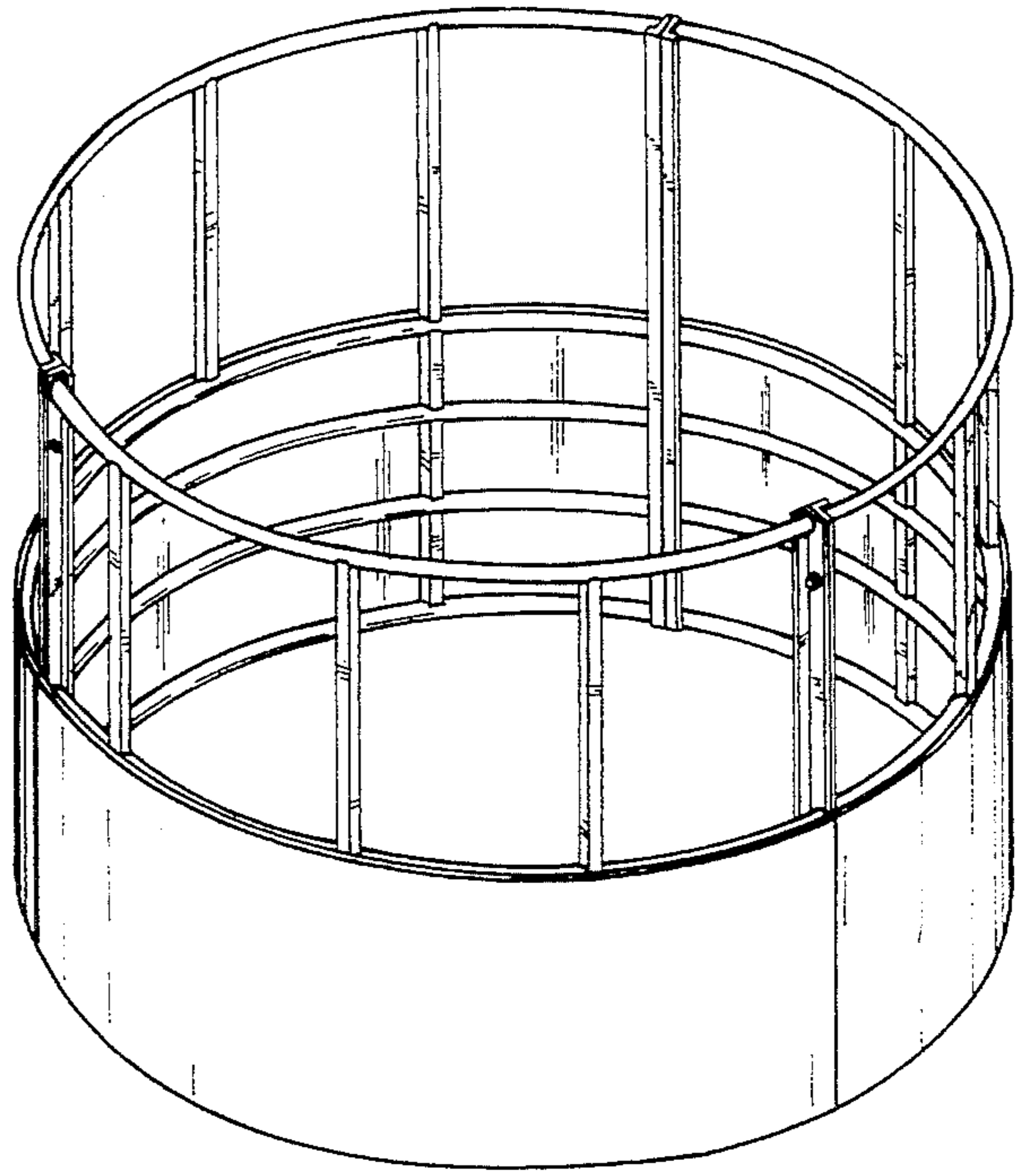
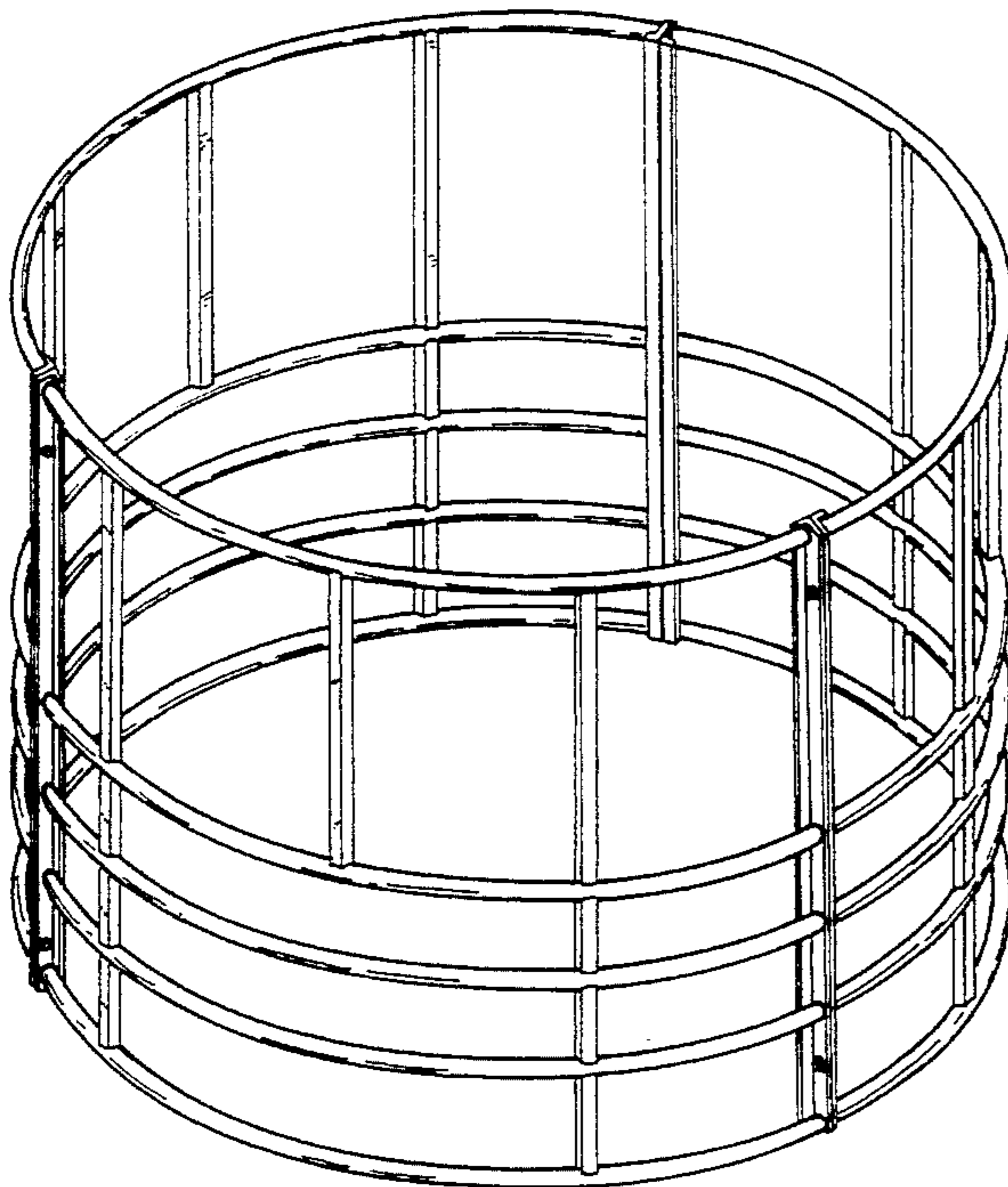
Primary Examiner—Cathy Anne MacCormac
Attorney, Agent, or Firm—Edward H. Renner

[57] CLAIM

The ornamental design for a livestock feeder, as shown.

DESCRIPTION

FIG. 1 is a perspective view of a livestock feeder showing my new design;
 FIG. 2 is a top plan view thereof, the bottom being identical;
 FIG. 3 is a front elevational view thereof;
 FIG. 4 is a right side elevational view thereof;
 FIG. 5 is a left side elevational view thereof;
 FIG. 6 is a rear elevational view thereof;
 FIG. 7 is a perspective view of an alternative embodiment of FIG. 1;
 FIG. 8 is a top plan view of FIG. 7, the bottom being identical;
 FIG. 9 is a front elevational view of FIG. 7;
 FIG. 10 is a right side elevational view of FIG. 7;
 FIG. 11 is a left side elevational view of FIG. 7; and,
 FIG. 12 is a rear elevational view of FIG. 7.



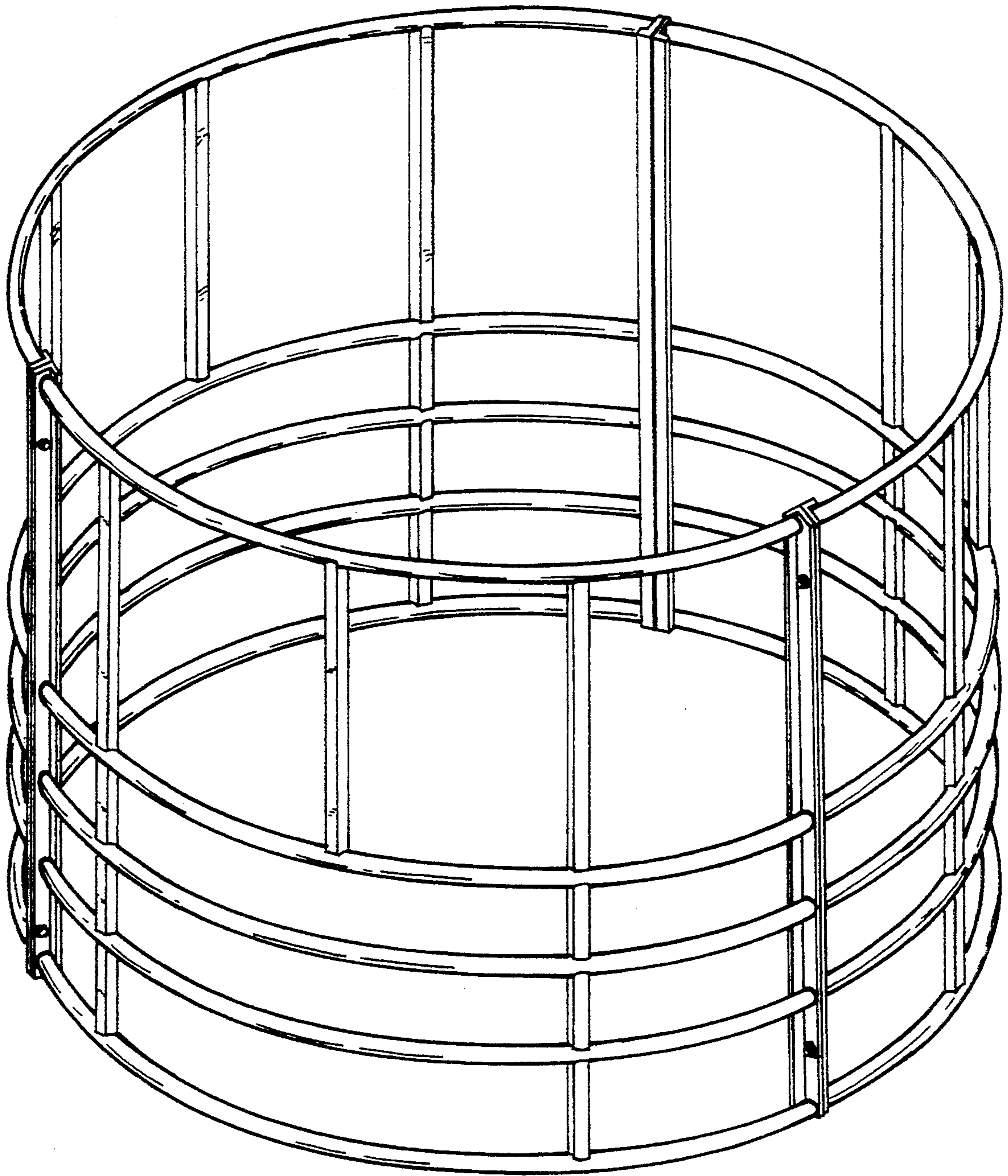


Fig. 1

FIG. 2.

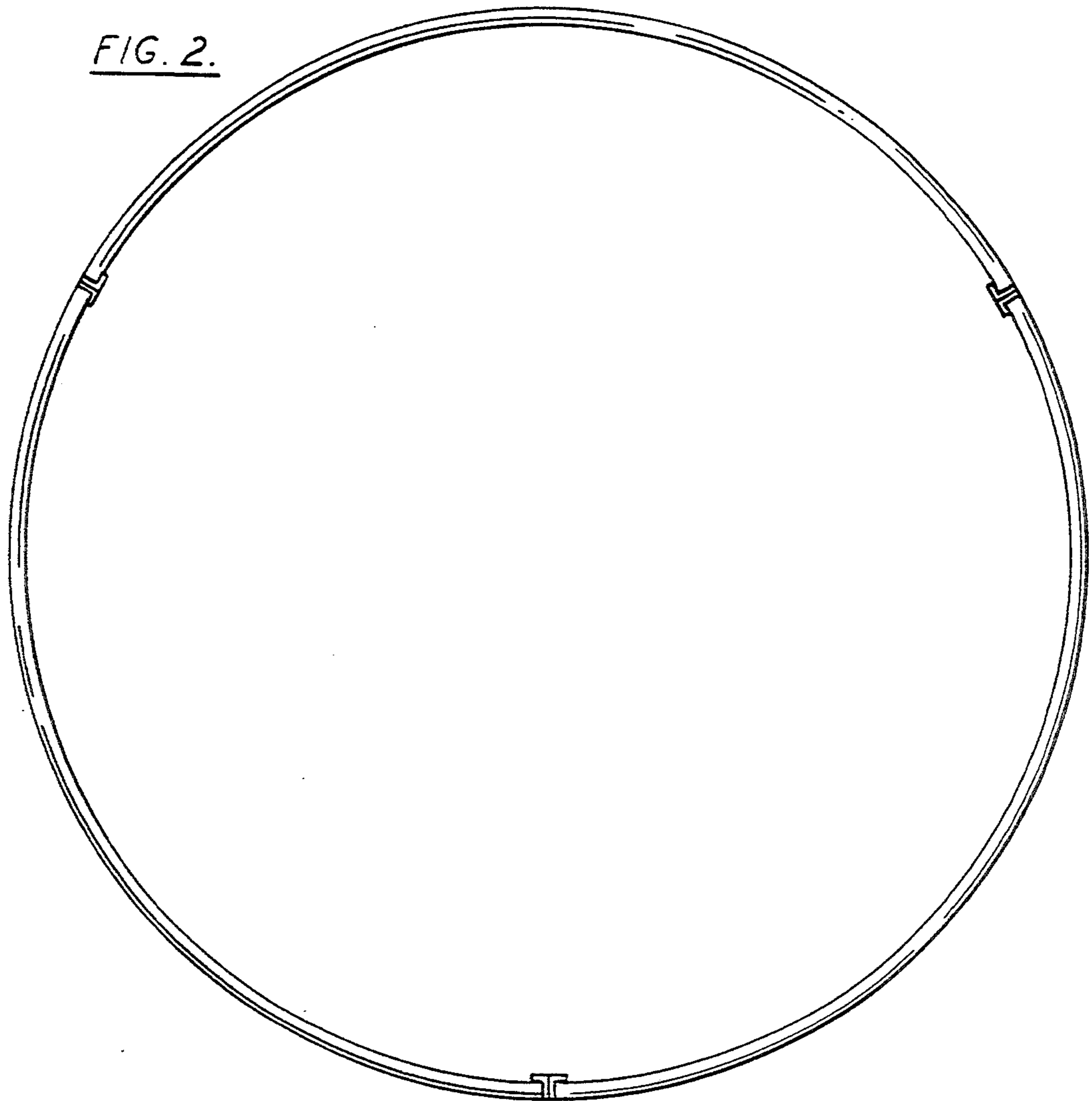


FIG. 3.

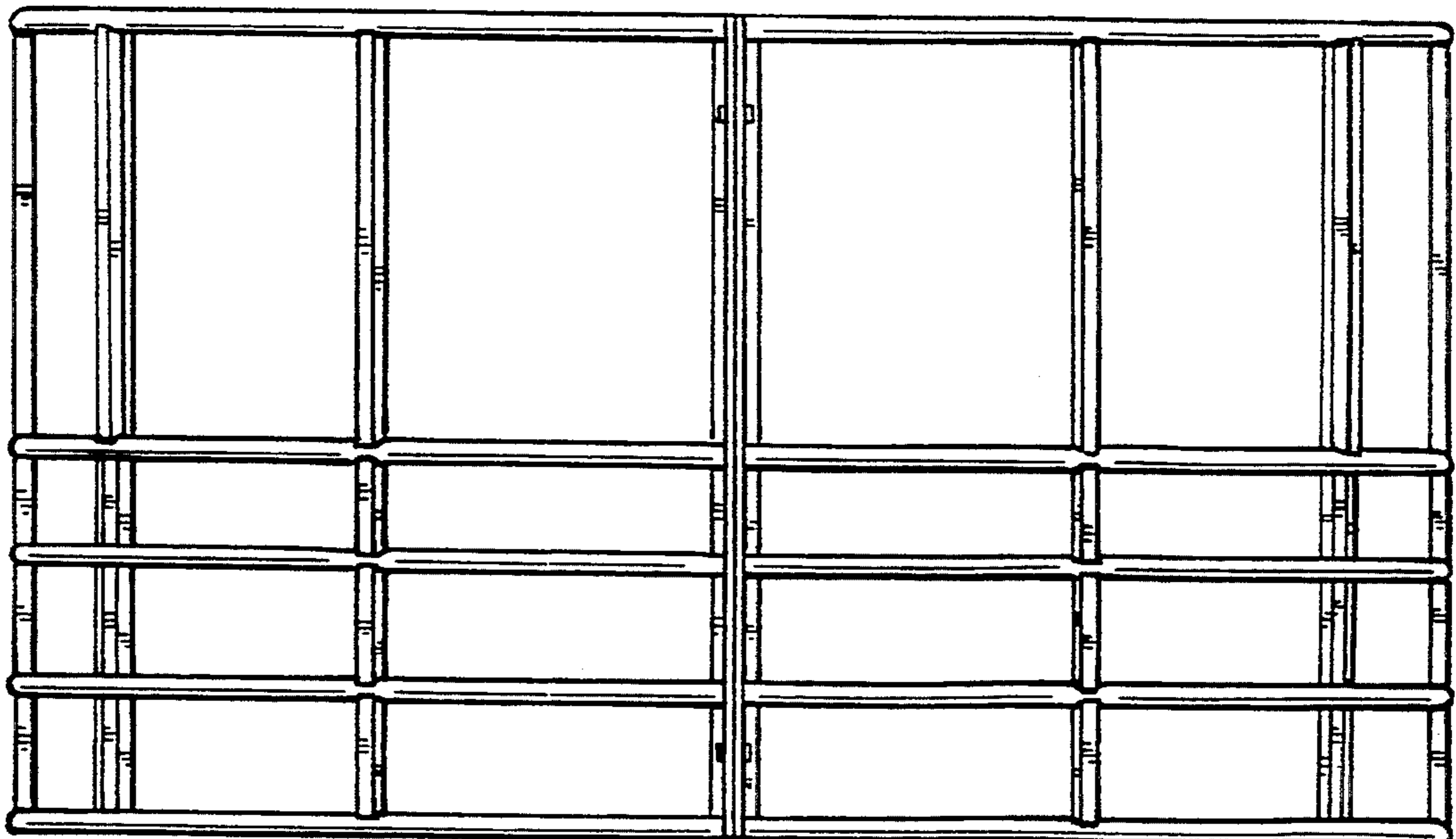


FIG. 4.

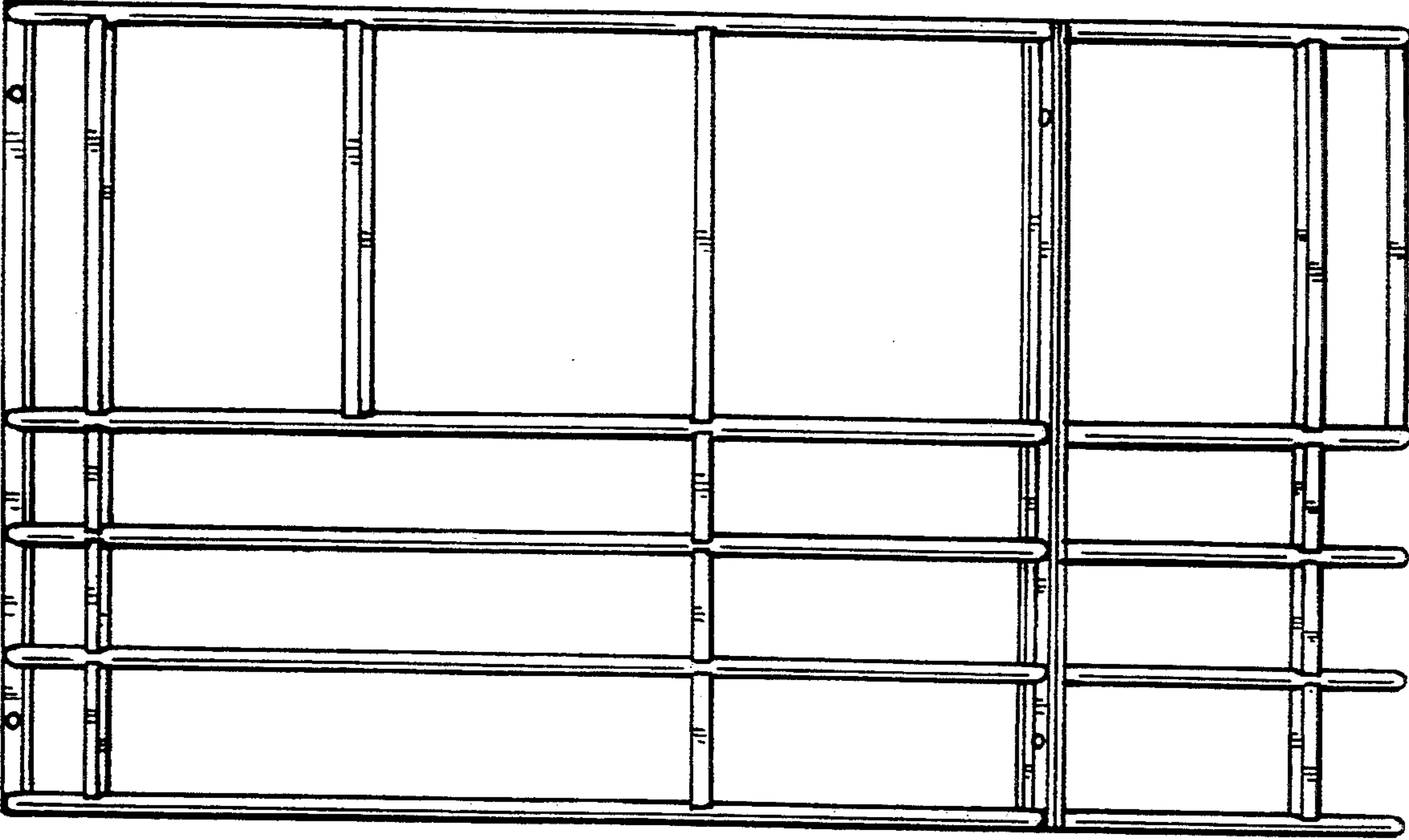
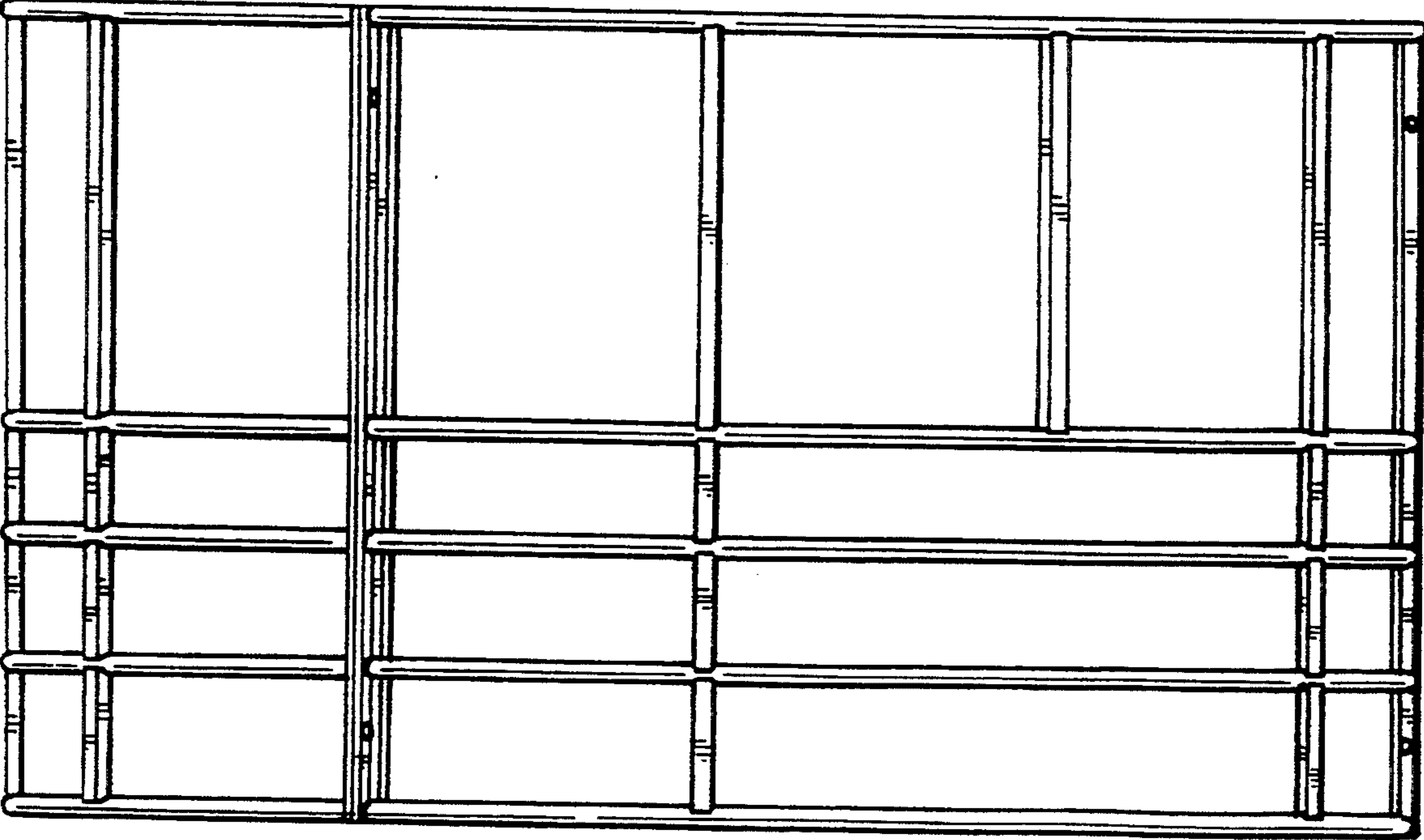


FIG. 5.



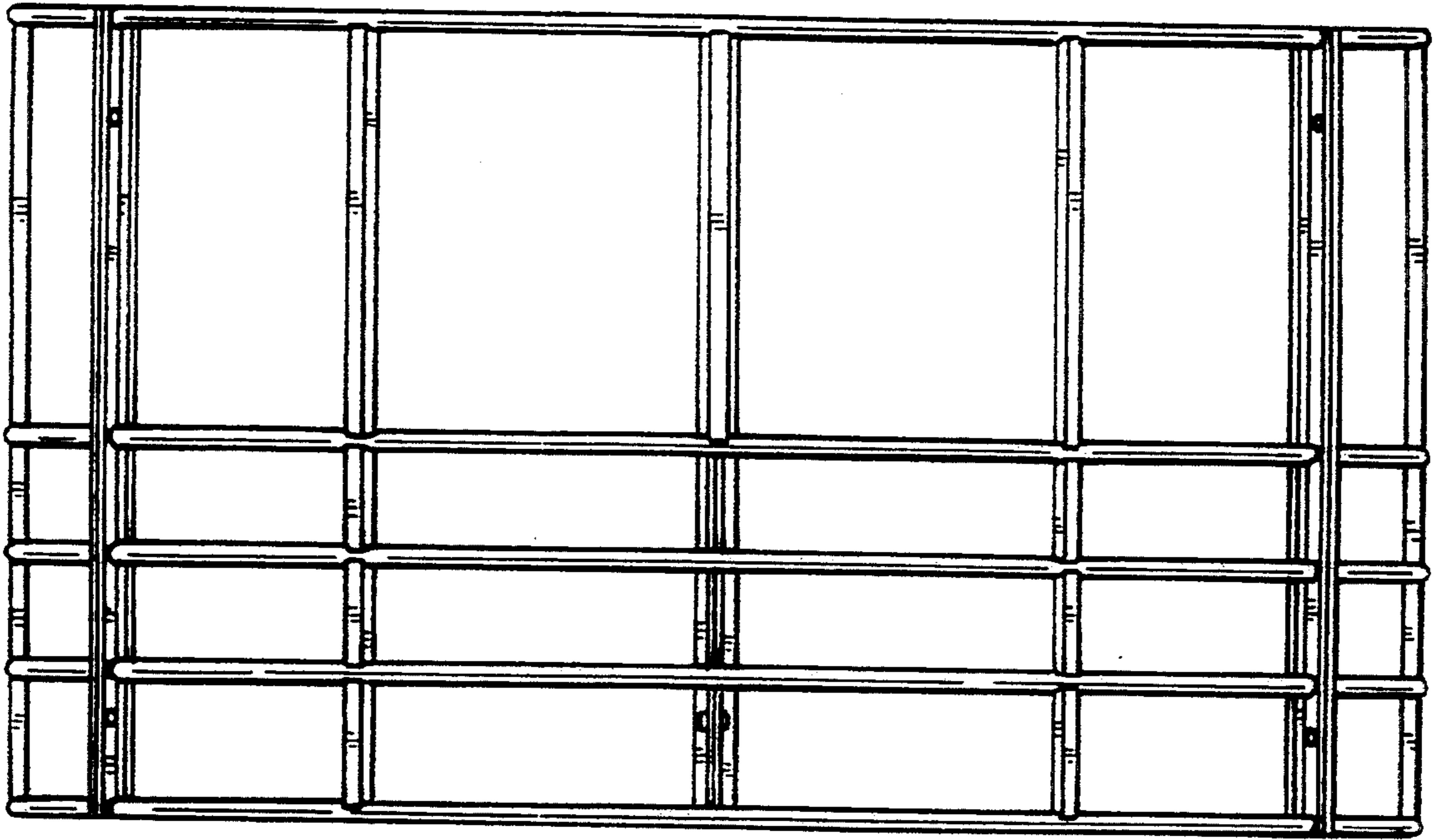


Fig. 6

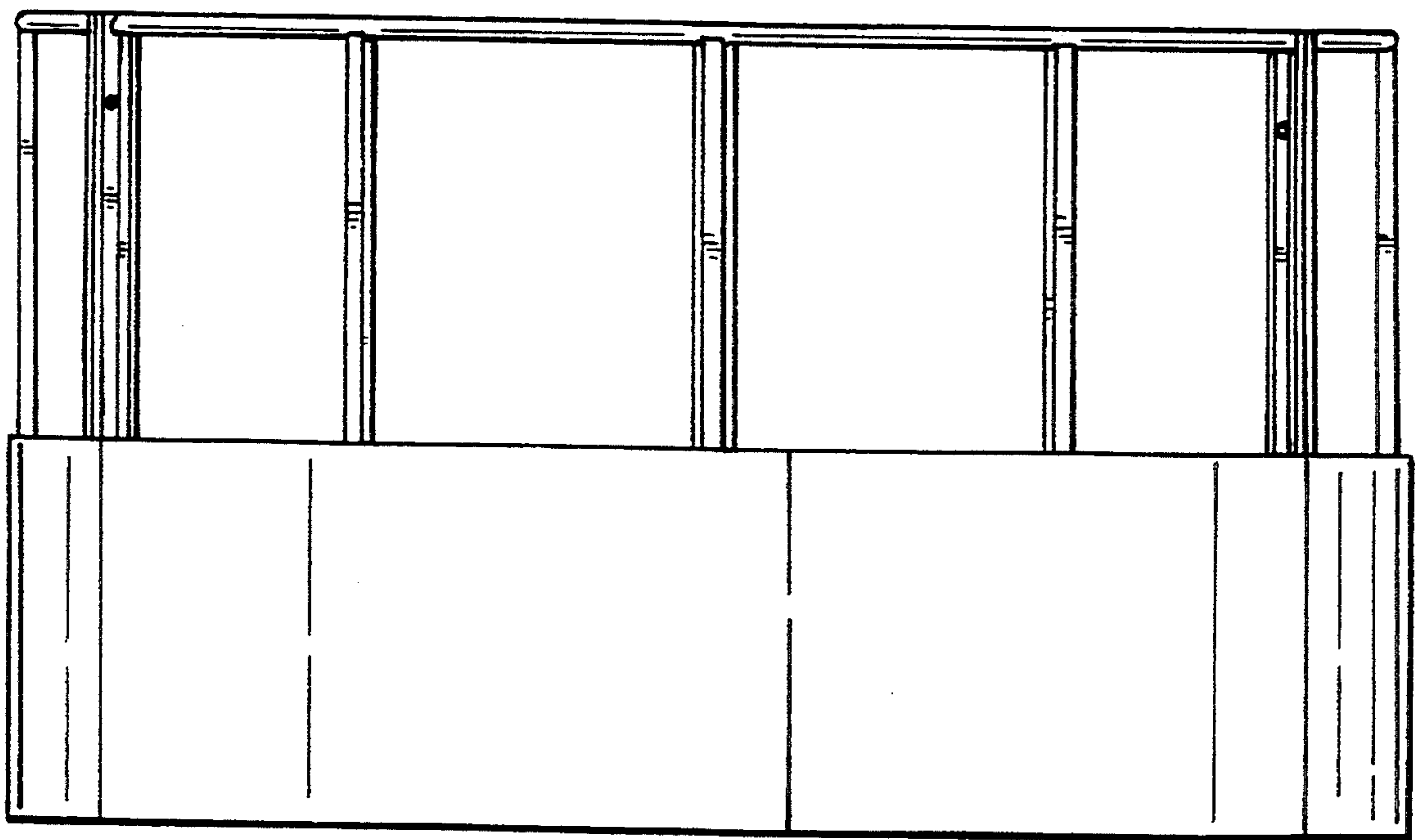


Fig. 12

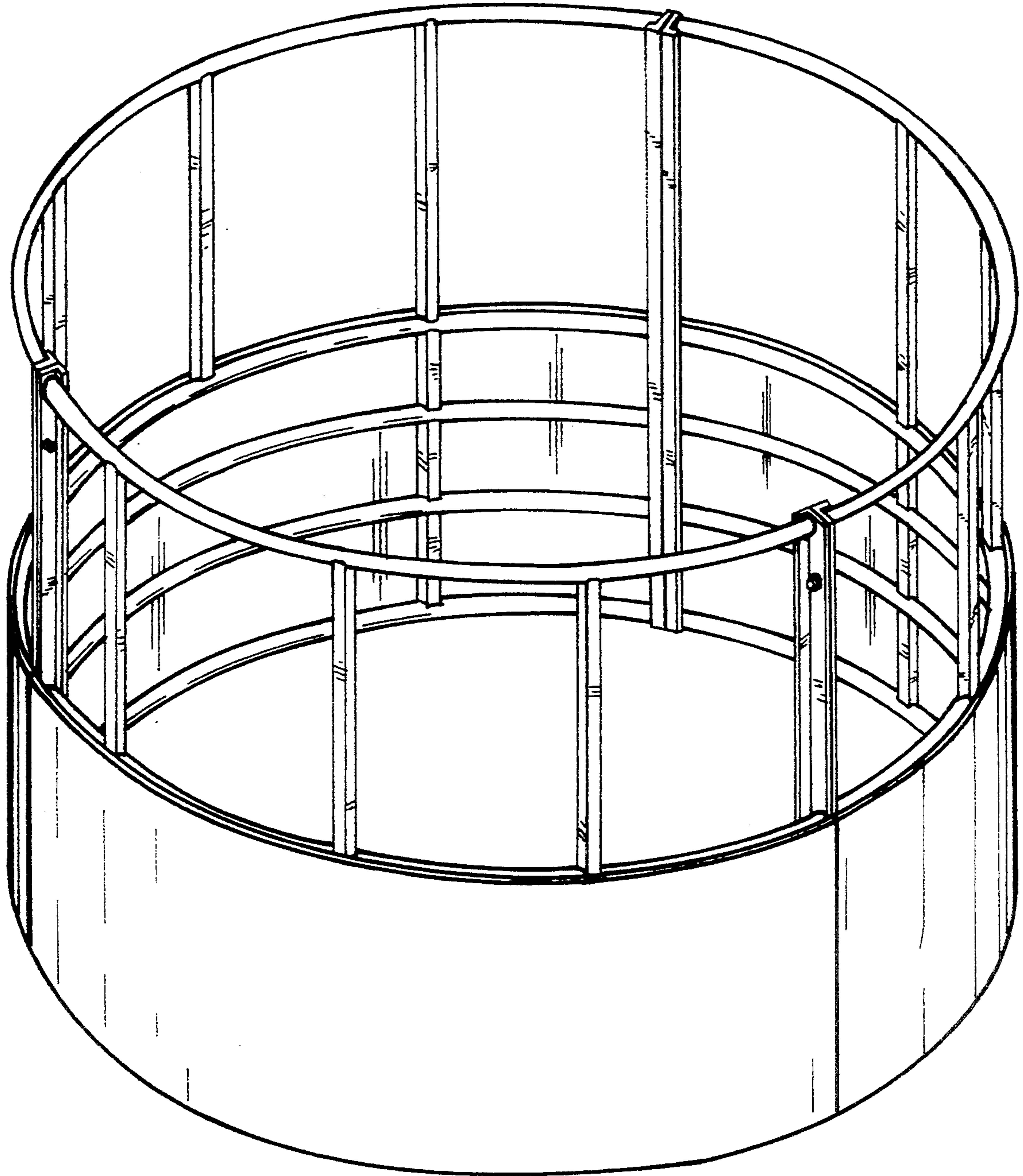


Fig. 7

Fig. 8

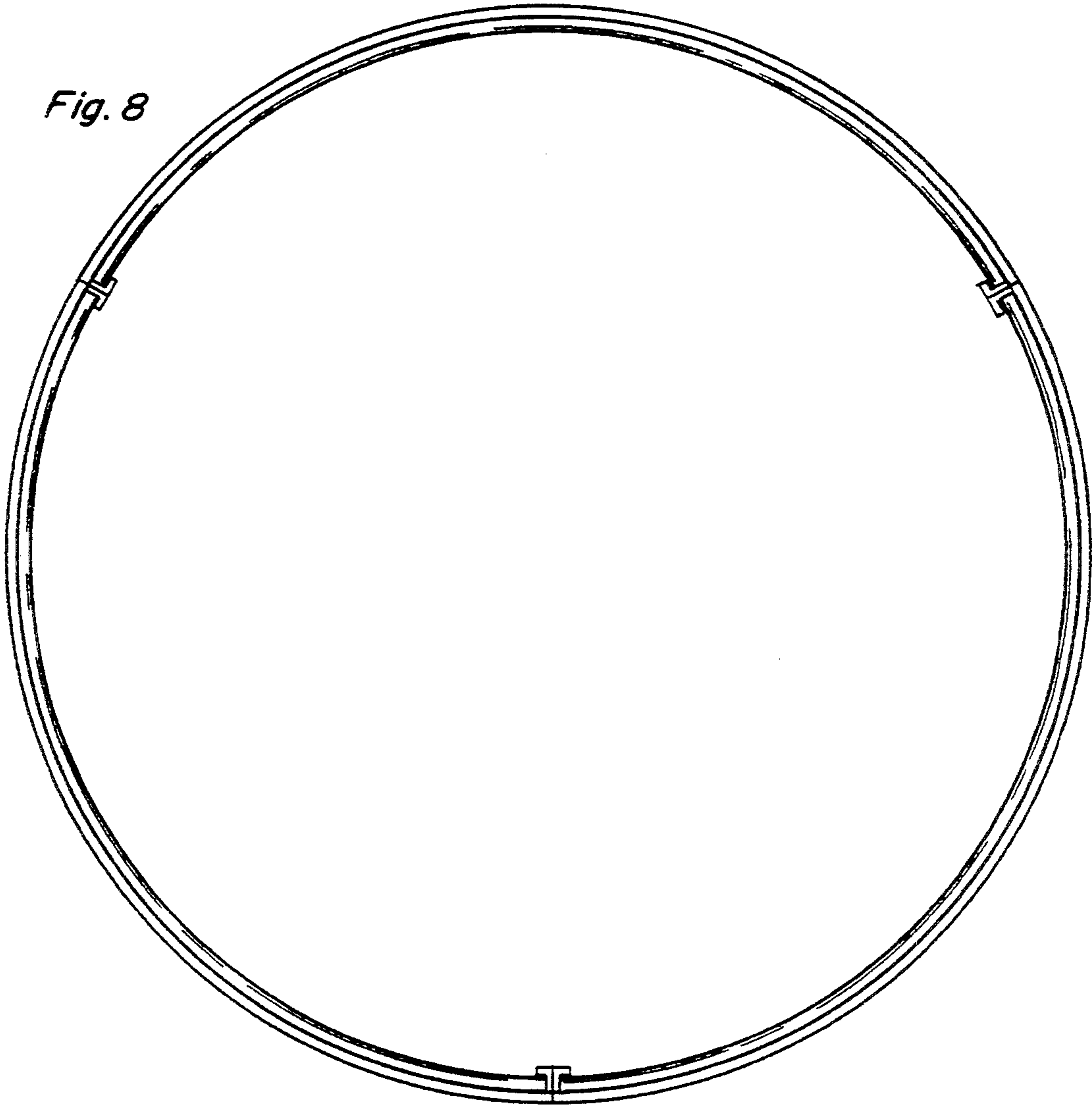
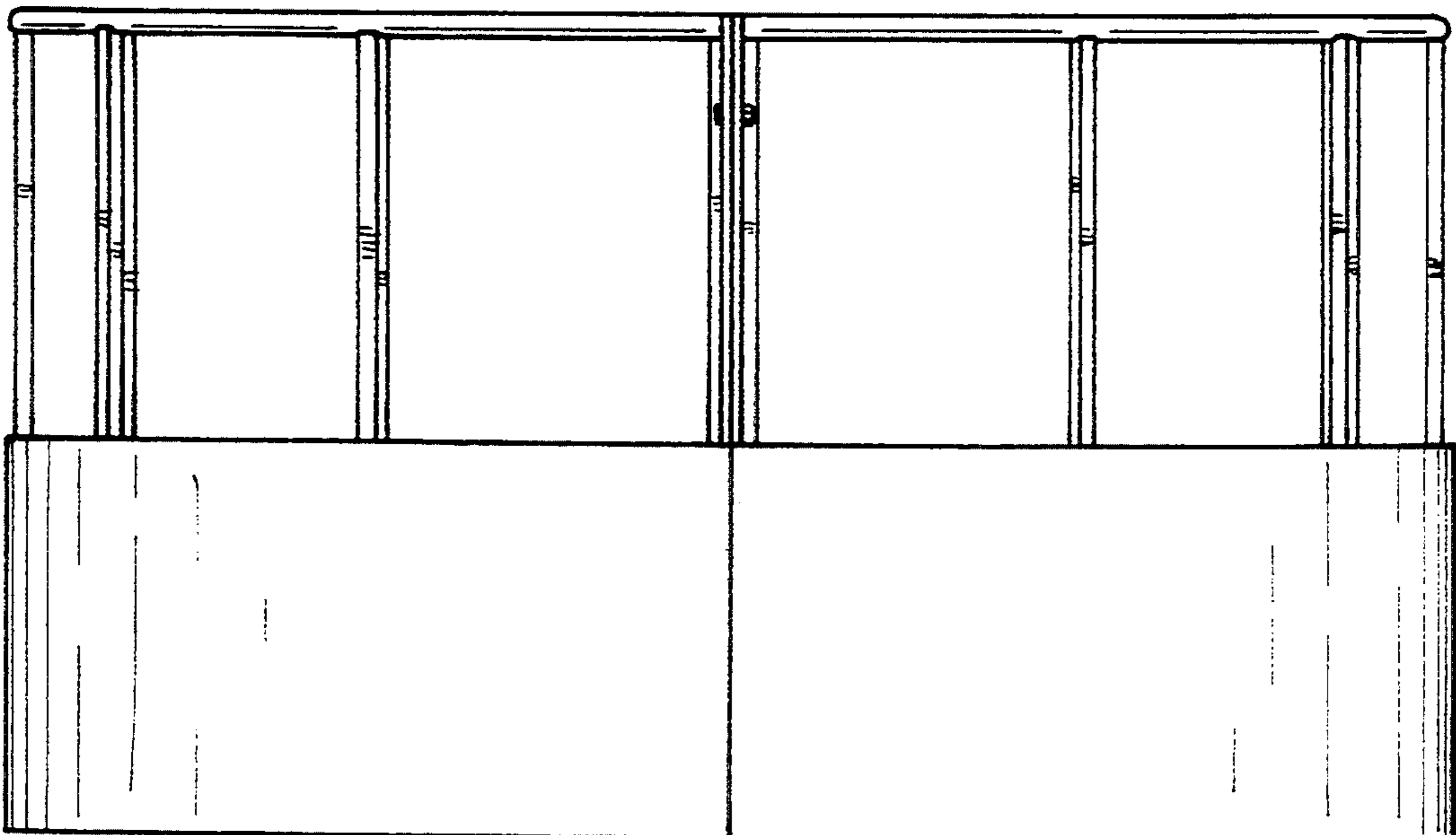


Fig. 9



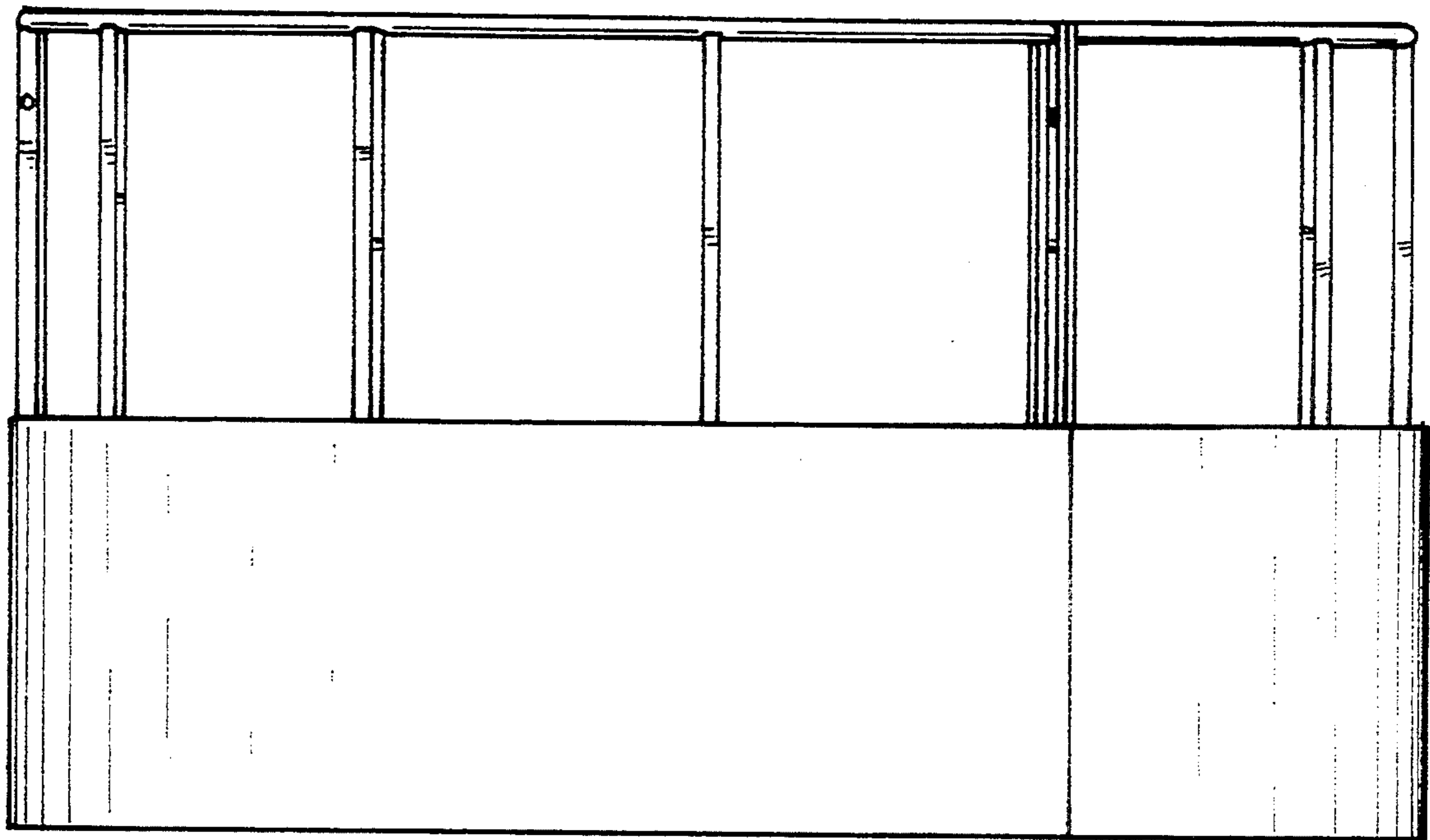


Fig. 10

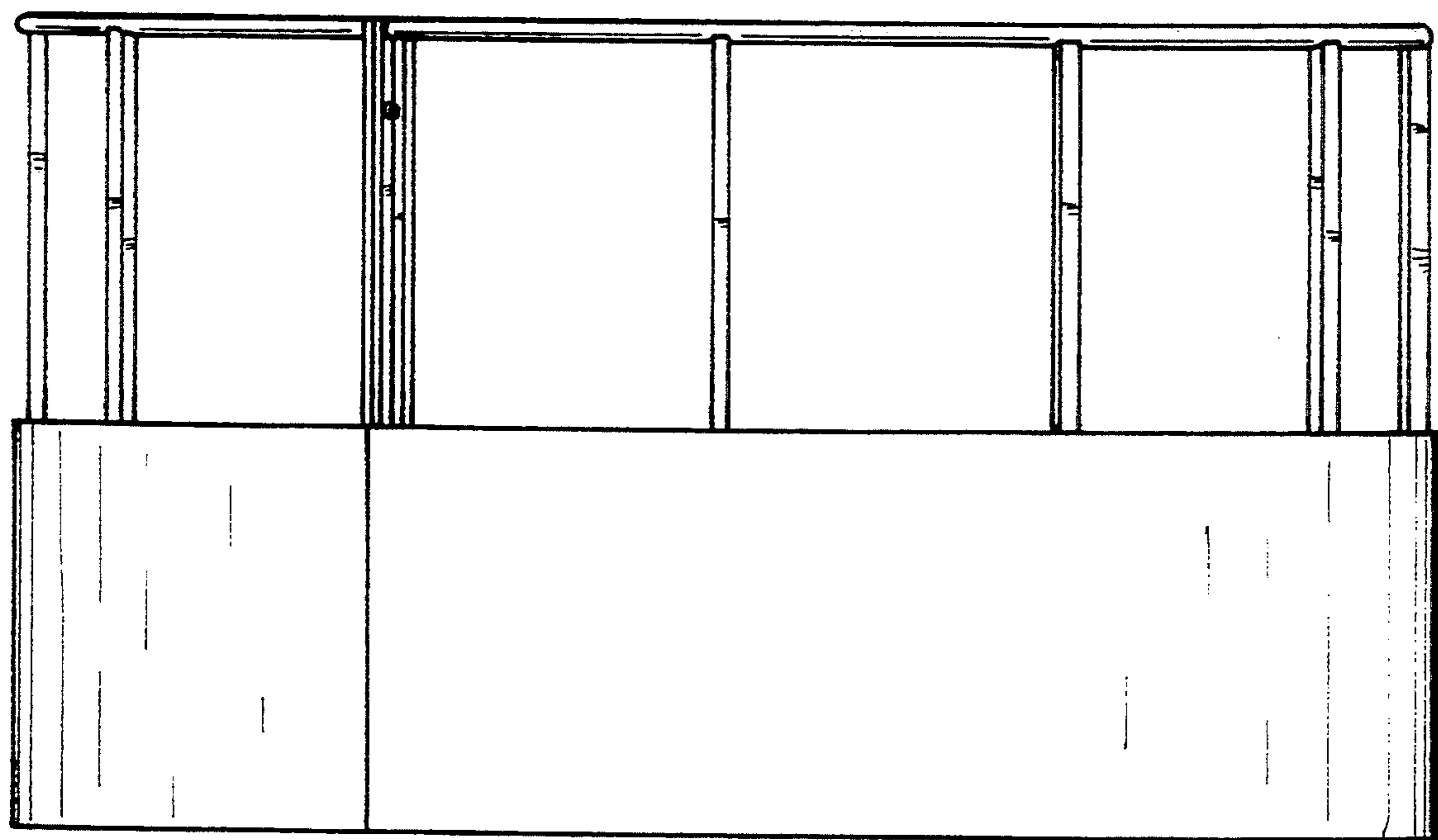


Fig. 11