



US00D361644S

# United States Patent [19]

[11] Patent Number: **Des. 361,644**

Davis

[45] Date of Patent: **\*\* Aug. 22, 1995**

[54] **CONVEYOR ASSEMBLY PORTION WITH VARIABLE OFFSET ARMS FOR SUPPORTING POULTRY AND POULTRY PARTS**

5,299,975 4/1994 Meyn ..... 452/177  
5,368,520 11/1994 Koch ..... 452/169

[76] Inventor: **James F. Davis**, 11976 Bells Ferry Rd., Canton, Ga. 30114

[\*\*] Term: **14 Years**

[21] Appl. No.: **17,593**

[22] Filed: **Jan. 18, 1994**

[52] U.S. Cl. .... **D34/29; D34/35**

[58] Field of Search ..... **D34/28, 29, 35; 198/619; 452/169, 177, 184**

### OTHER PUBLICATIONS

Drumstick & Thigh Deboning Line Brochure—Globe Machine Company—D&D Manufacturing Company (Published Prior to Jan. 1993).

*Primary Examiner*—Brian N. Vinson  
*Assistant Examiner*—Robin V. Taylor  
*Attorney, Agent, or Firm*—Louis T. Isaf

### [57] CLAIM

The ornamental design for a conveyor assembly portion with variable offset arms for supporting poultry and poultry parts, as shown and described.

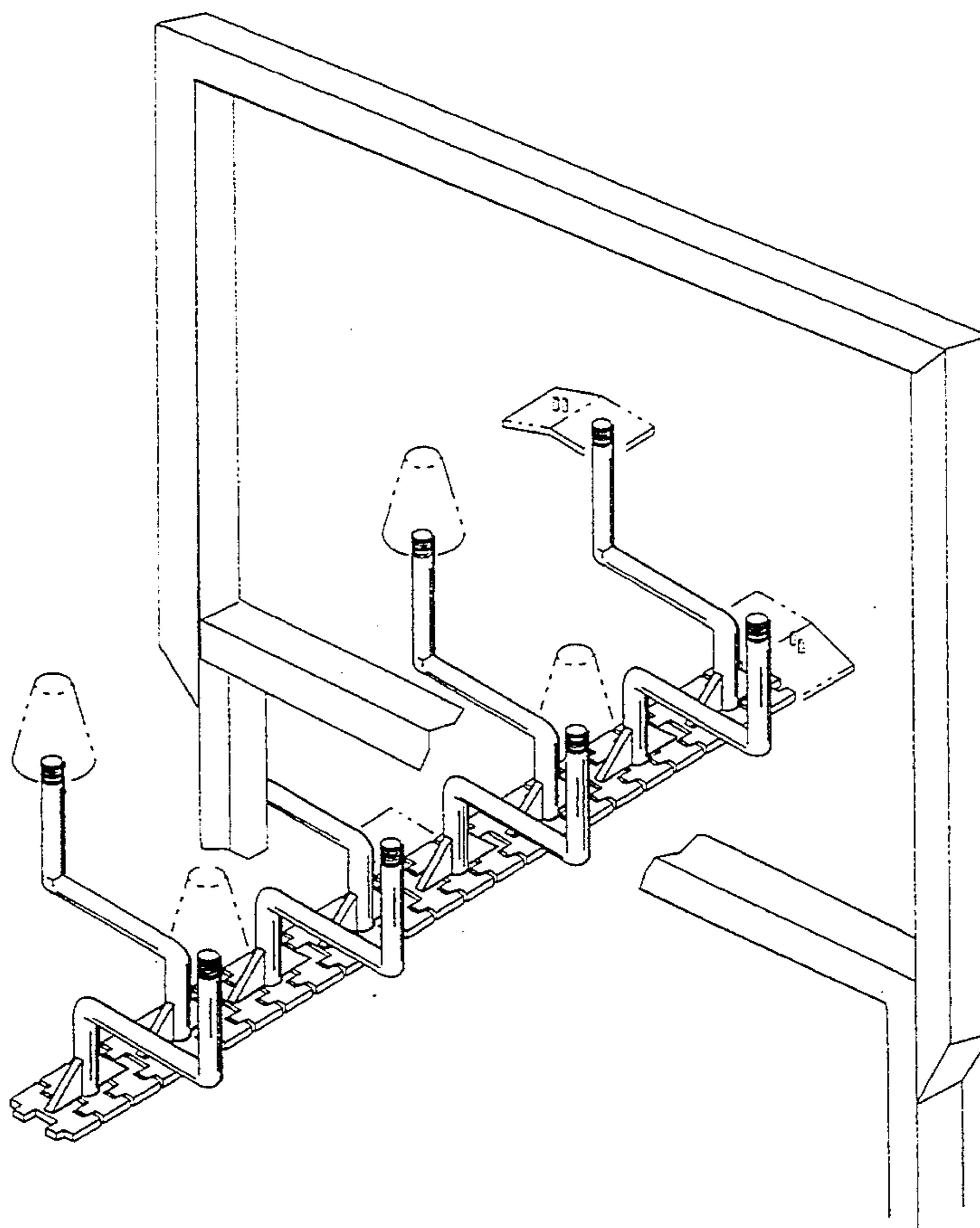
### DESCRIPTION

FIG. 1 is a perspective view of a conveyor assembly portion with variable offset arms for supporting poultry and poultry parts, showing my new design; FIG. 2 is a side elevational view thereof, the other side being a mirror image; FIG. 3 is a top plan view thereof; and, FIG. 4 is an end elevational view thereof, the opposite end being a mirror image. The broken line showing of cones, half-pads, and framing is for illustrative purposes only and forms no part of the claimed design.

### [56] References Cited

#### U.S. PATENT DOCUMENTS

1,008,772	12/1916	Freeman .	
1,749,224	3/1930	Ostricher .	
2,516,499	7/1950	Albright .....	452/177
2,818,600	1/1958	Zebarth .....	452/177
2,976,983	3/1961	Zebarth .....	452/177
3,009,194	11/1961	Roth .....	452/184
3,363,544	1/1968	Ericksen .....	452/177
4,385,419	5/1983	Cantrell .....	17/11
4,985,963	1/1991	Norling .....	452/177
5,183,434	2/1993	Scheier et al. ....	452/169



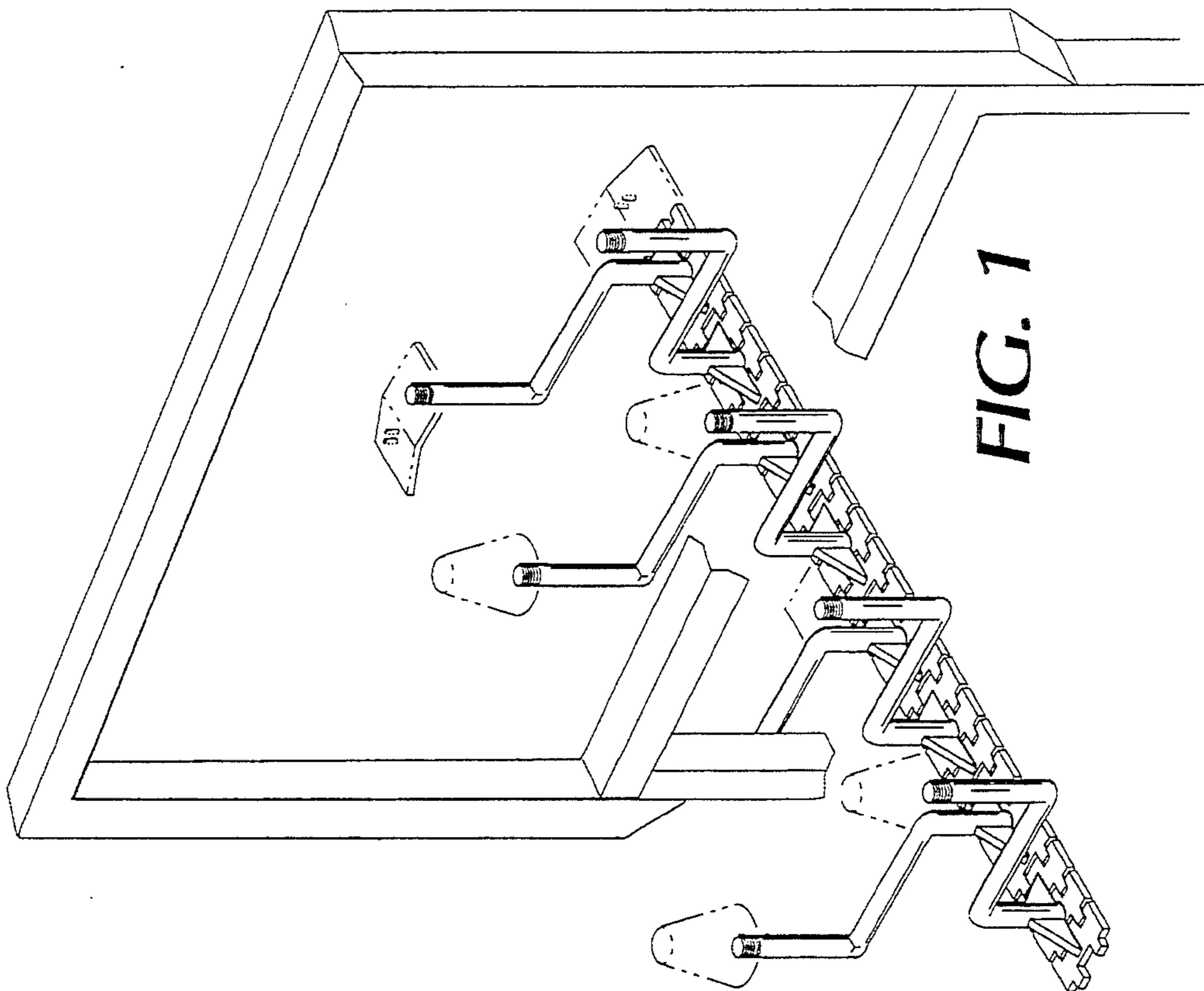


FIG. 1

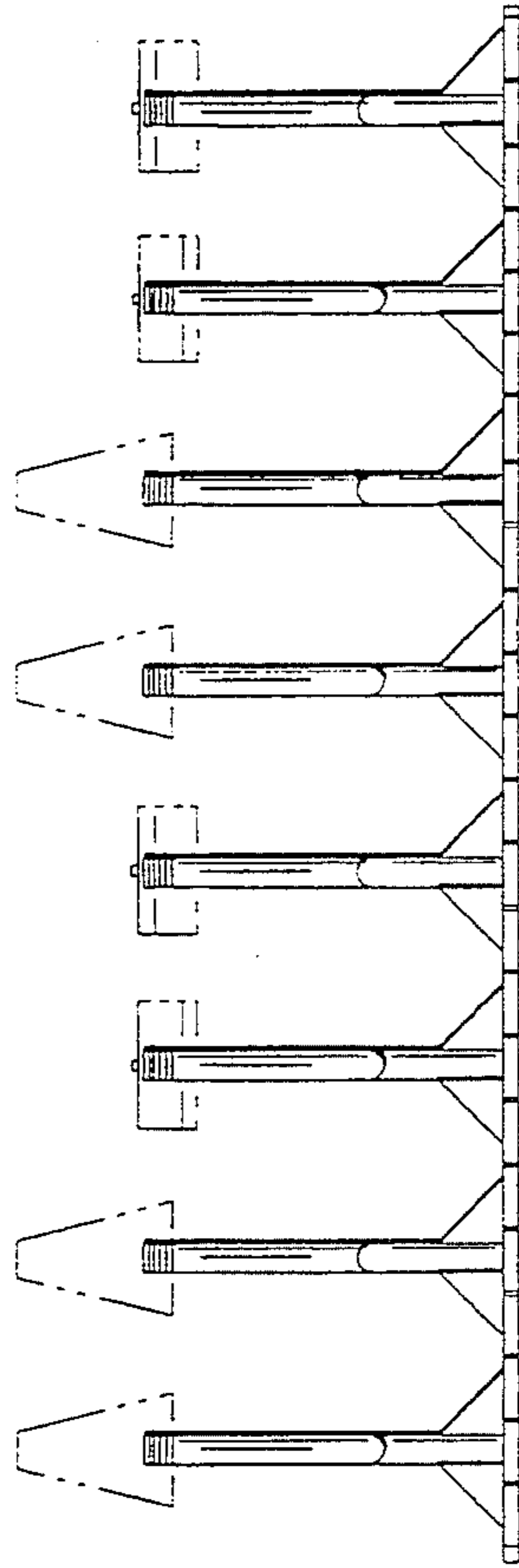
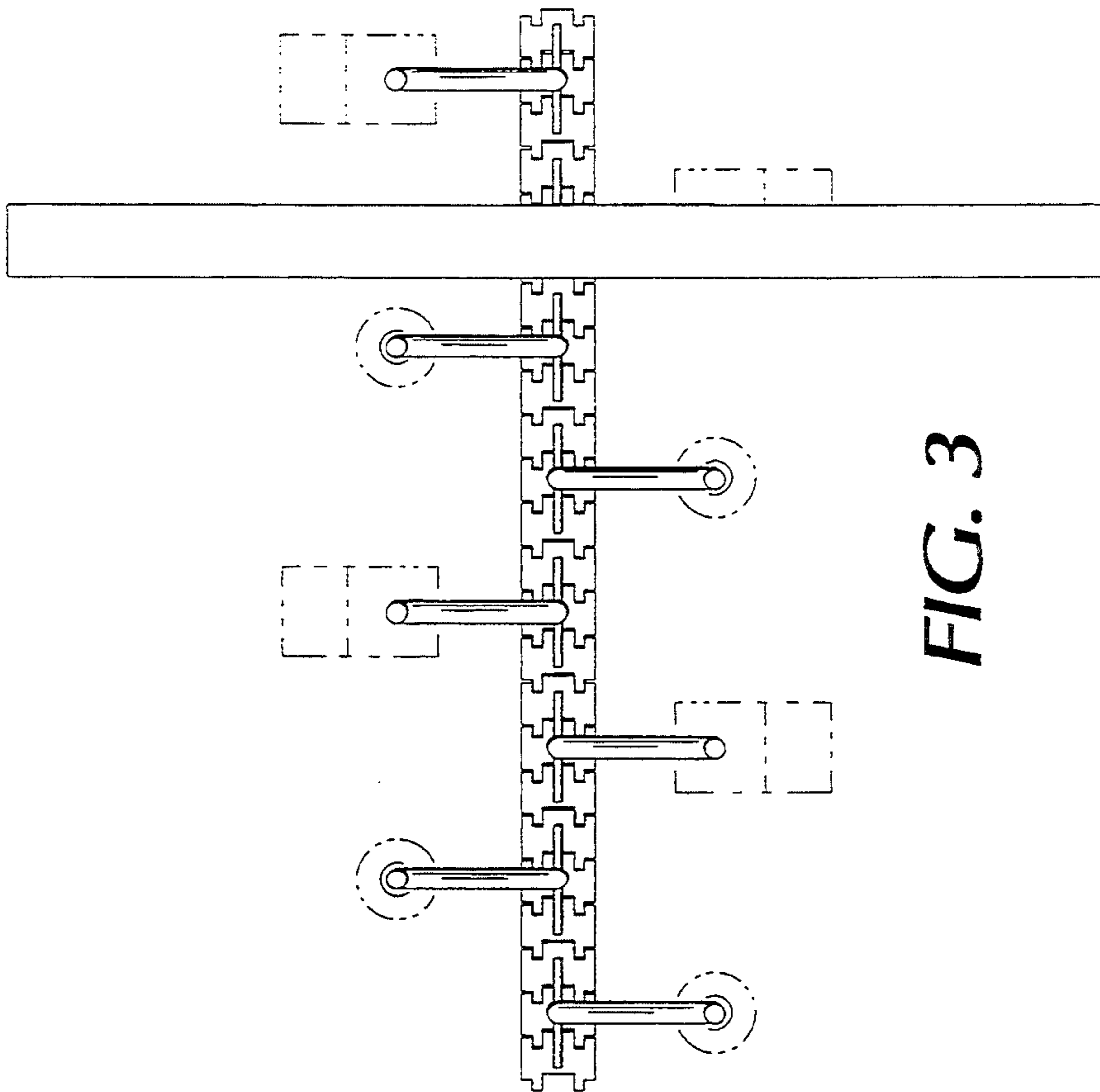
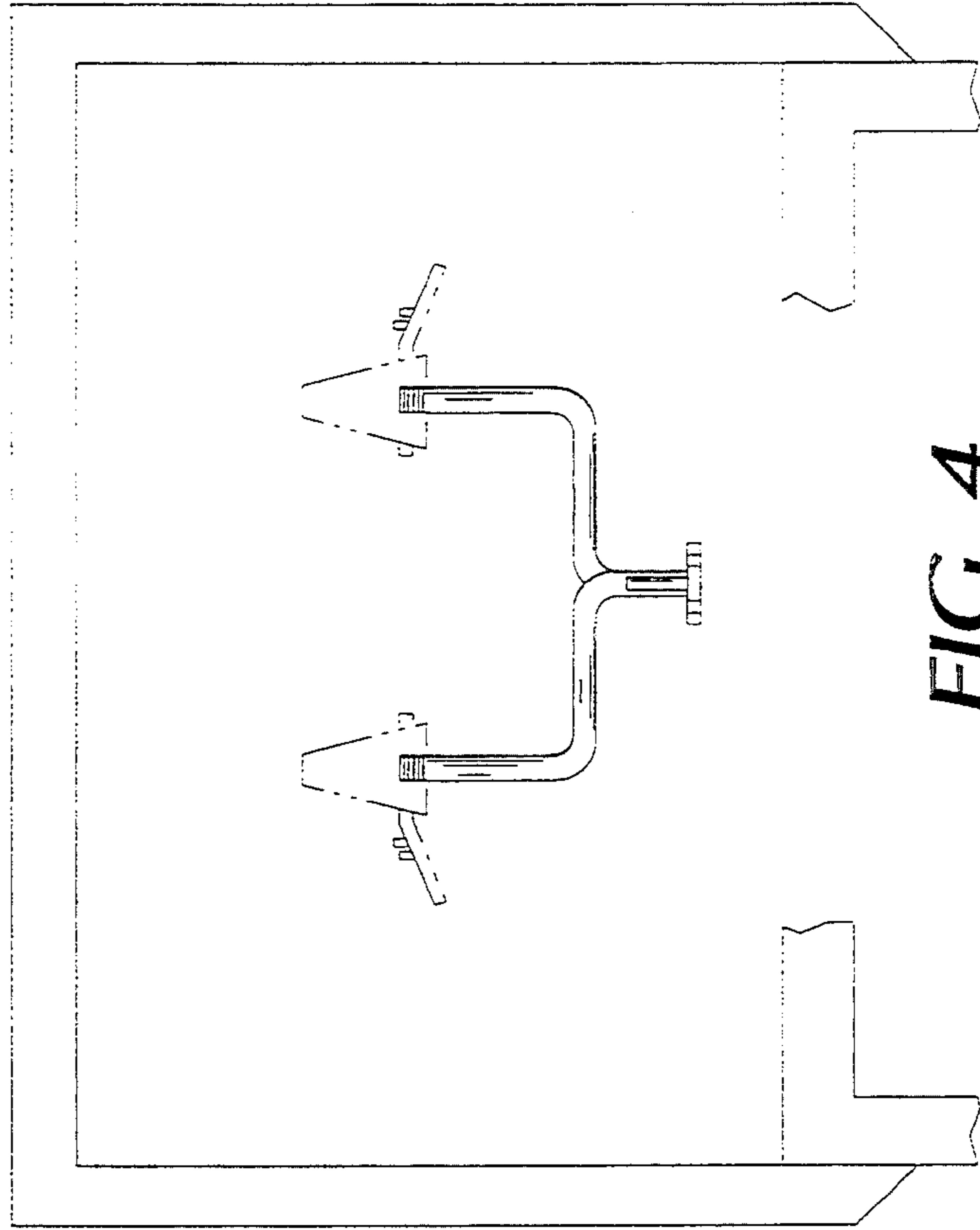


FIG. 2



**FIG. 3**



**FIG. 4**