



US00D361642S

United States Patent [19]

[11] Patent Number: **Des. 361,642**

Smith et al.

[45] Date of Patent: **** Aug. 22, 1995**

[54] **PORTABLE BOAT BOARDING RAMP**

Assistant Examiner—Robin V. Taylor

[76] Inventors: **James Smith**, 135 Paris Ct., West Islip, N.Y. 11795; **Brian R. Smith**, 1719 Paisley Blue Ct., Vienna, Va. 22182

[57] **CLAIM**

The ornamental design for a portable boat boarding ramp, as shown and described.

[**] Term: **14 Years**

DESCRIPTION

[21] Appl. No.: **21,223**

FIG. 1 is a side perspective view of a portable boat boarding ramp, in accordance with the present design; FIG. 2 is a bottom elevational view of said portable boat boarding ramp;

[22] Filed: **Apr. 11, 1994**

[52] U.S. Cl. **D34/32**

FIG. 3 is a top elevational view of said portable boat boarding ramp;

[58] Field of Search D34/32, 28; 193/38, 193/41; 114/362; 14/43, 44, 69.5, 71.1

FIG. 4 is a handrail side elevational view of the portable boat boarding ramp;

[56] **References Cited**

U.S. PATENT DOCUMENTS

D. 299,078	12/1988	Jacobsen	D34/32
2,659,914	11/1953	Law	14/69.5
3,192,546	7/1965	Noland	14/69.5
4,161,795	7/1979	Quest	114/362

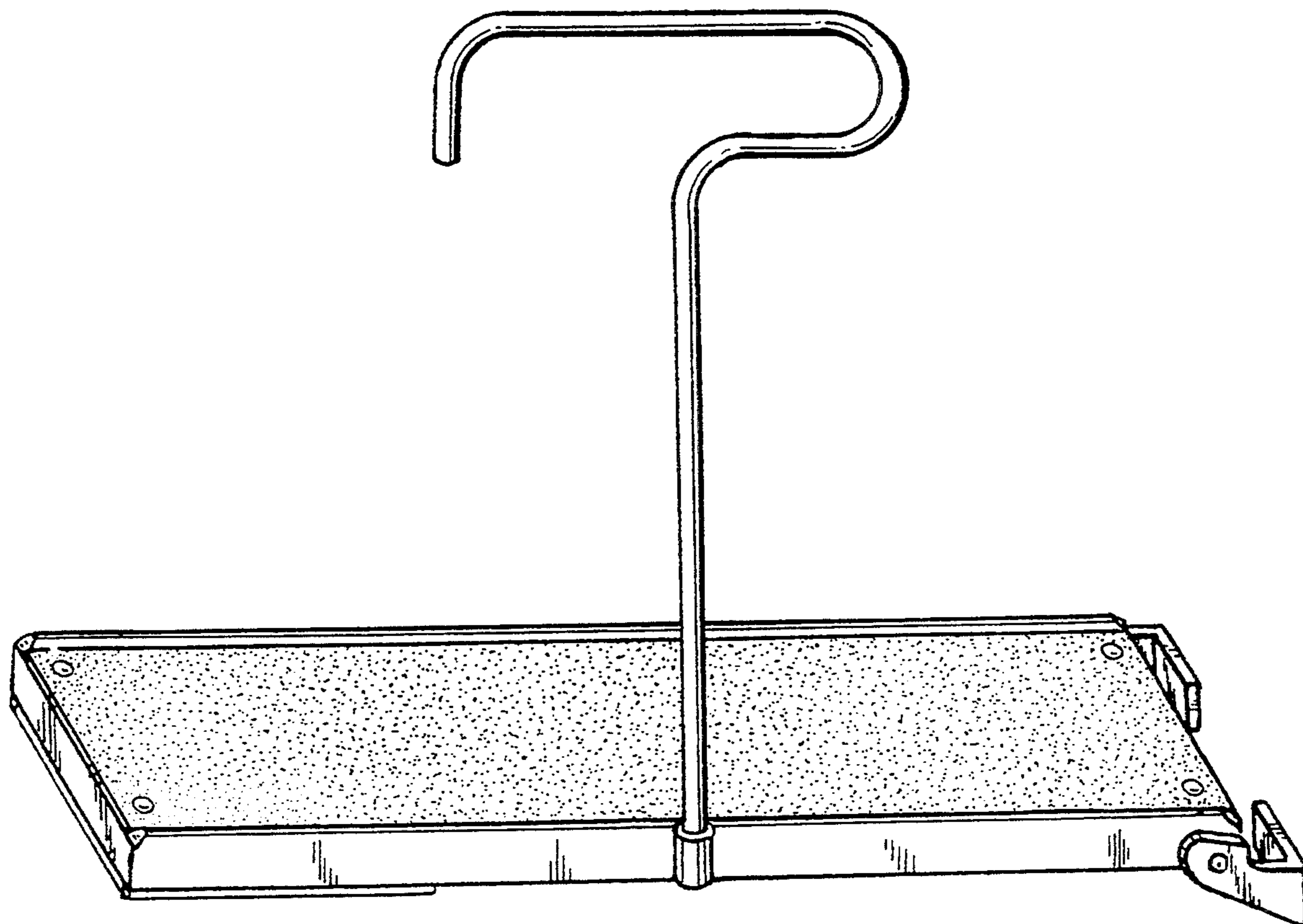
FIG. 5 is the opposite side view of the portable boat boarding ramp;

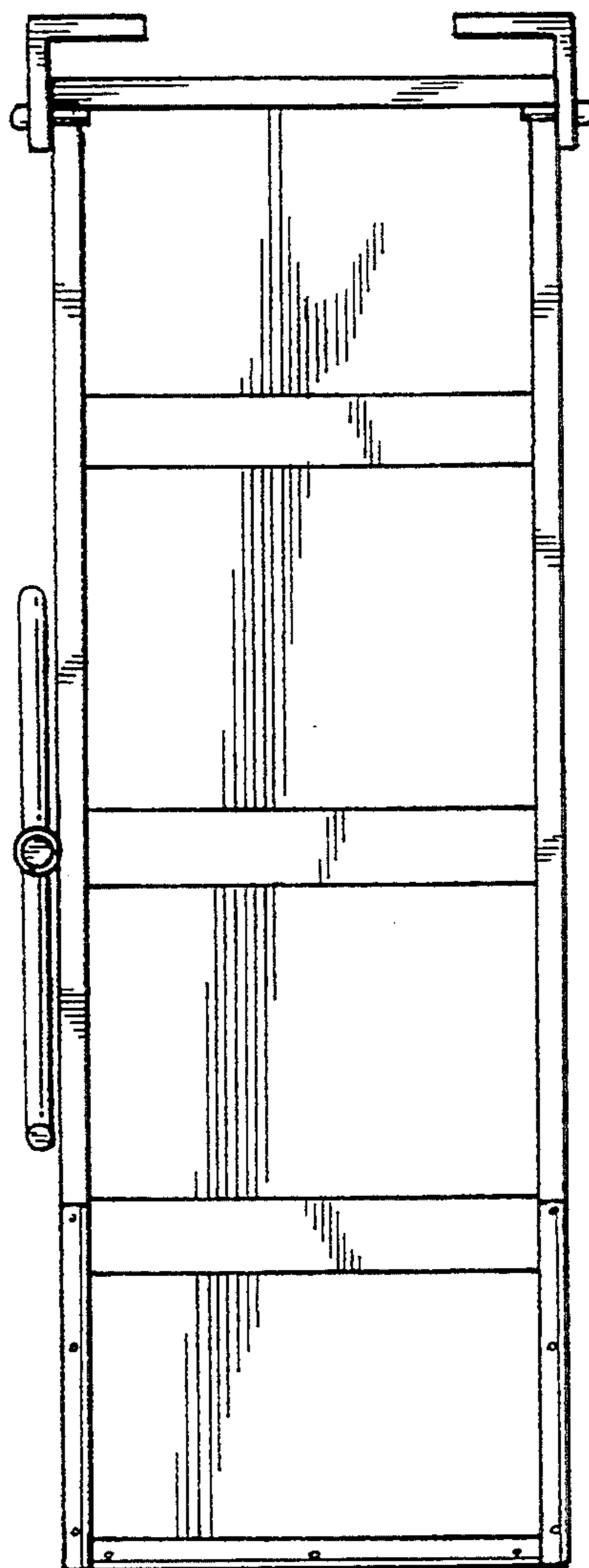
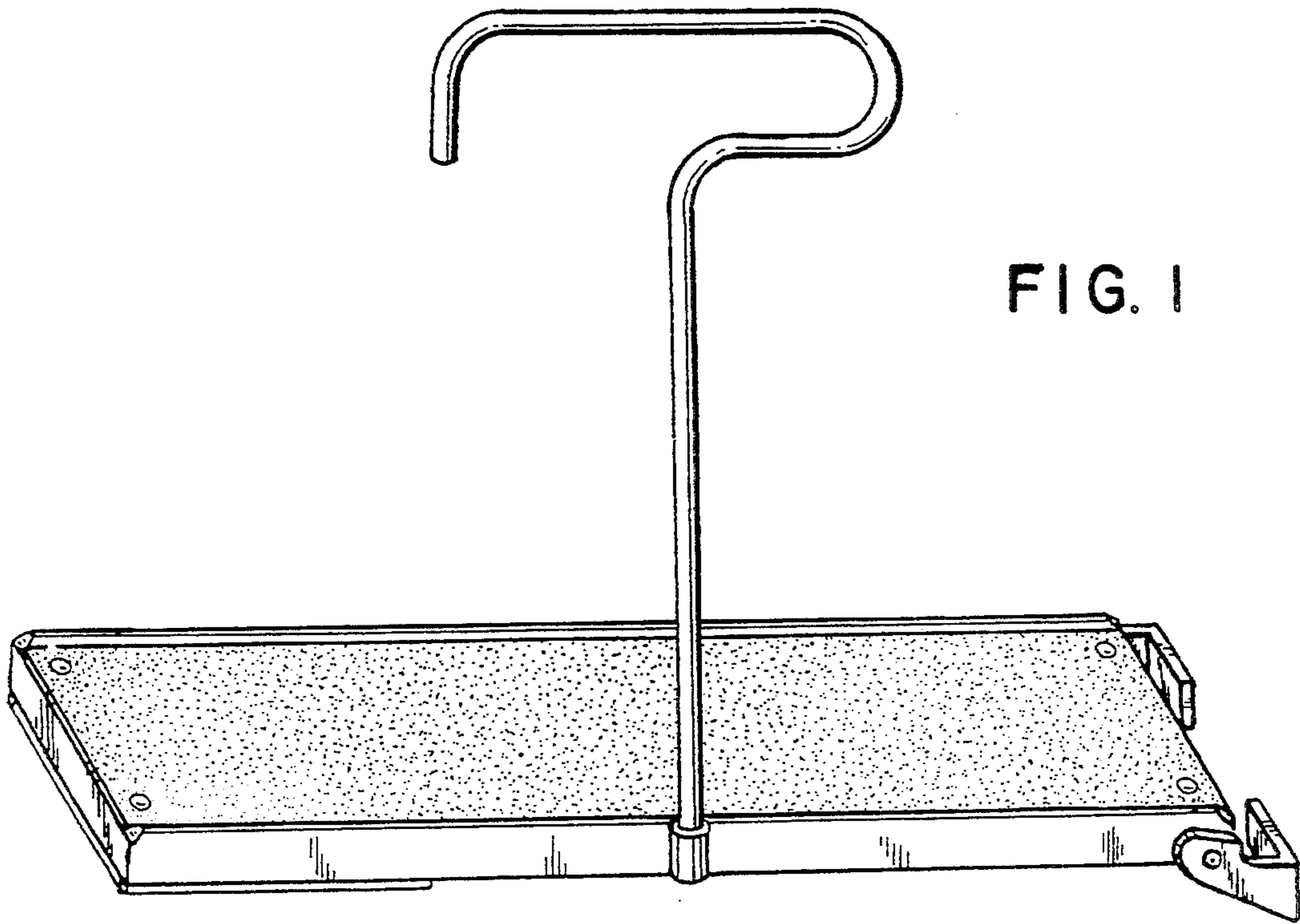
FIG. 6 is a front elevational view of the portable boat boarding ramp;

FIG. 7 is a rear elevational view of the portable boat boarding ramp; and

FIG. 8 is a perspective of an exploded view of the portable boat boarding ramp.

Primary Examiner—Brian N. Vinson





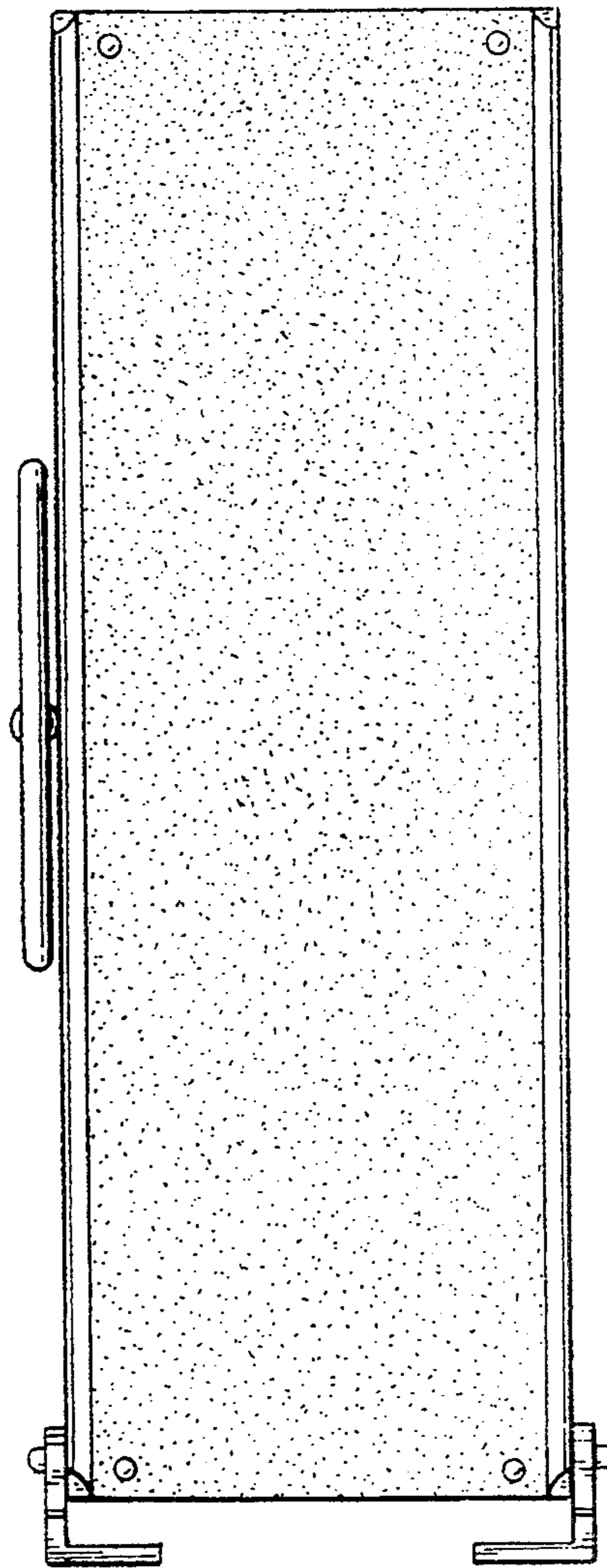


FIG. 3

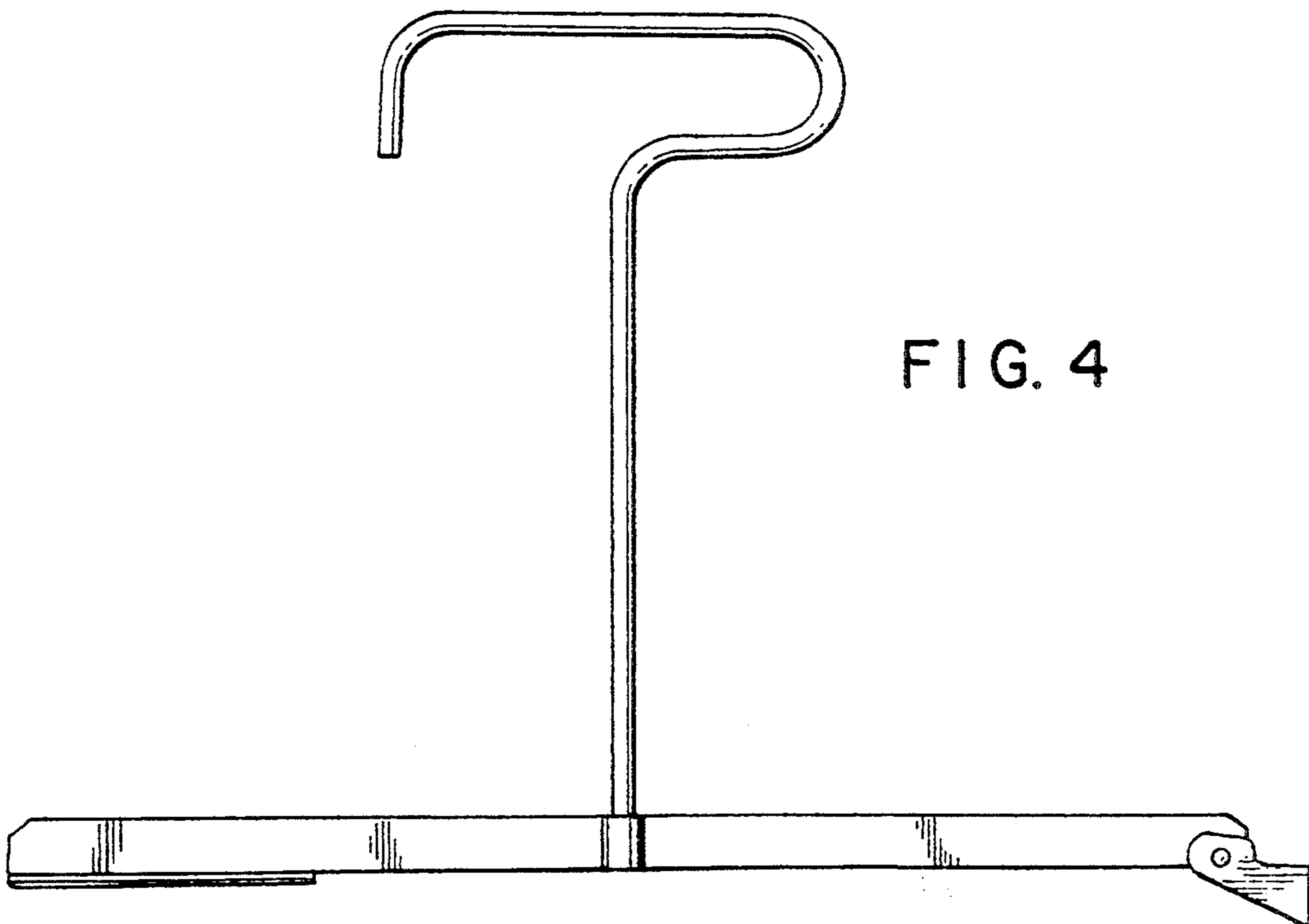


FIG. 4

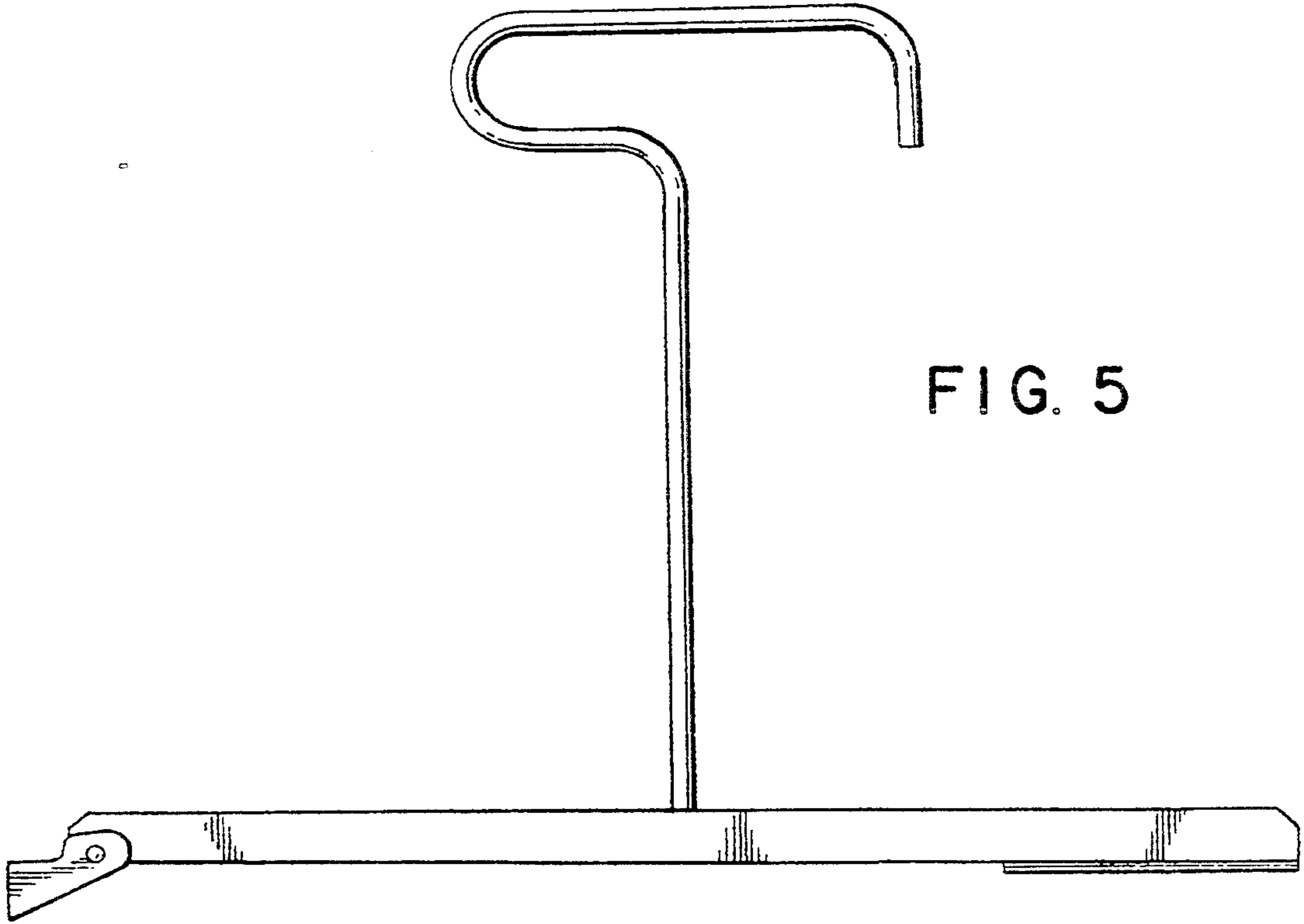


FIG. 5

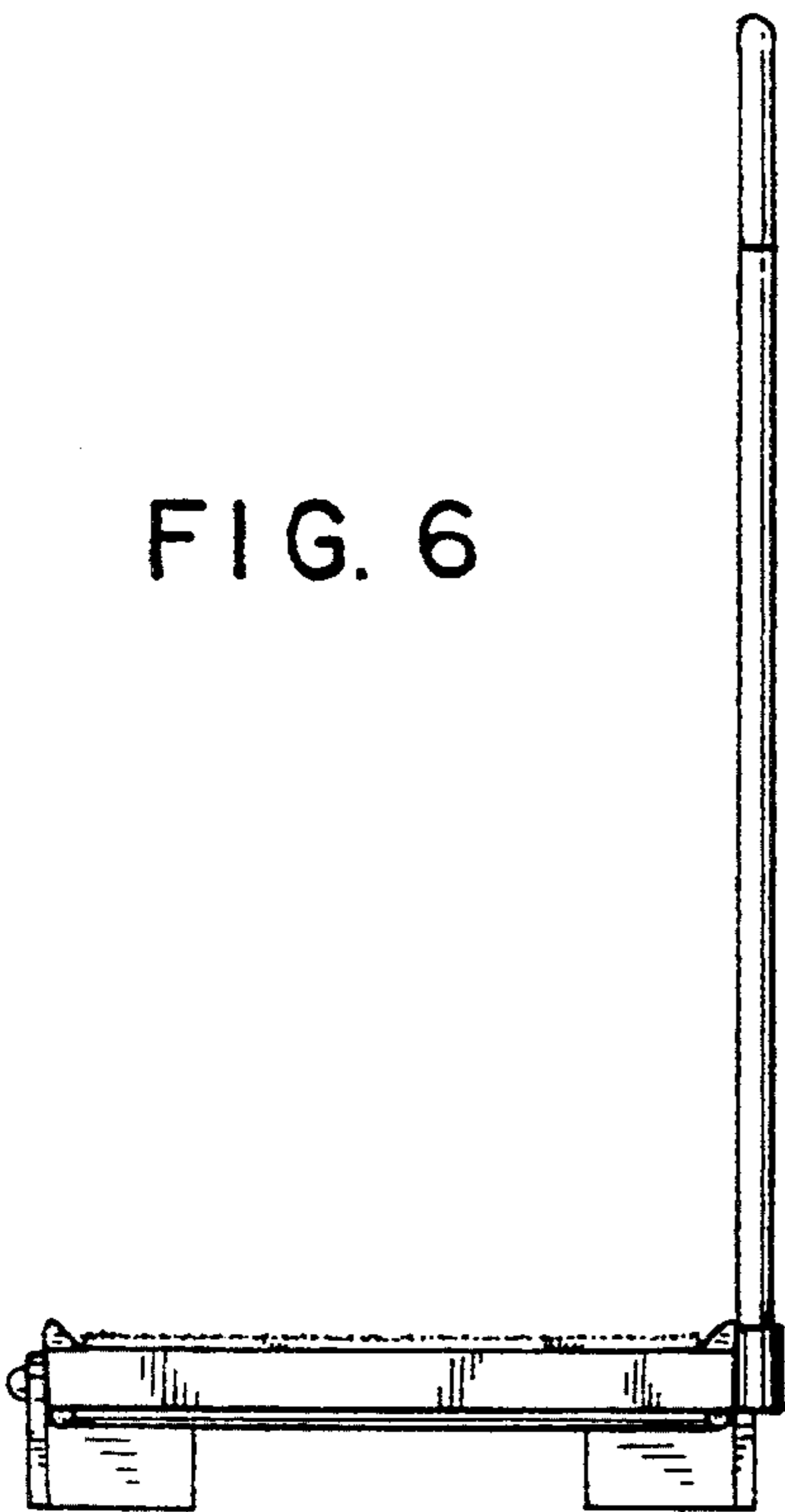


FIG. 6

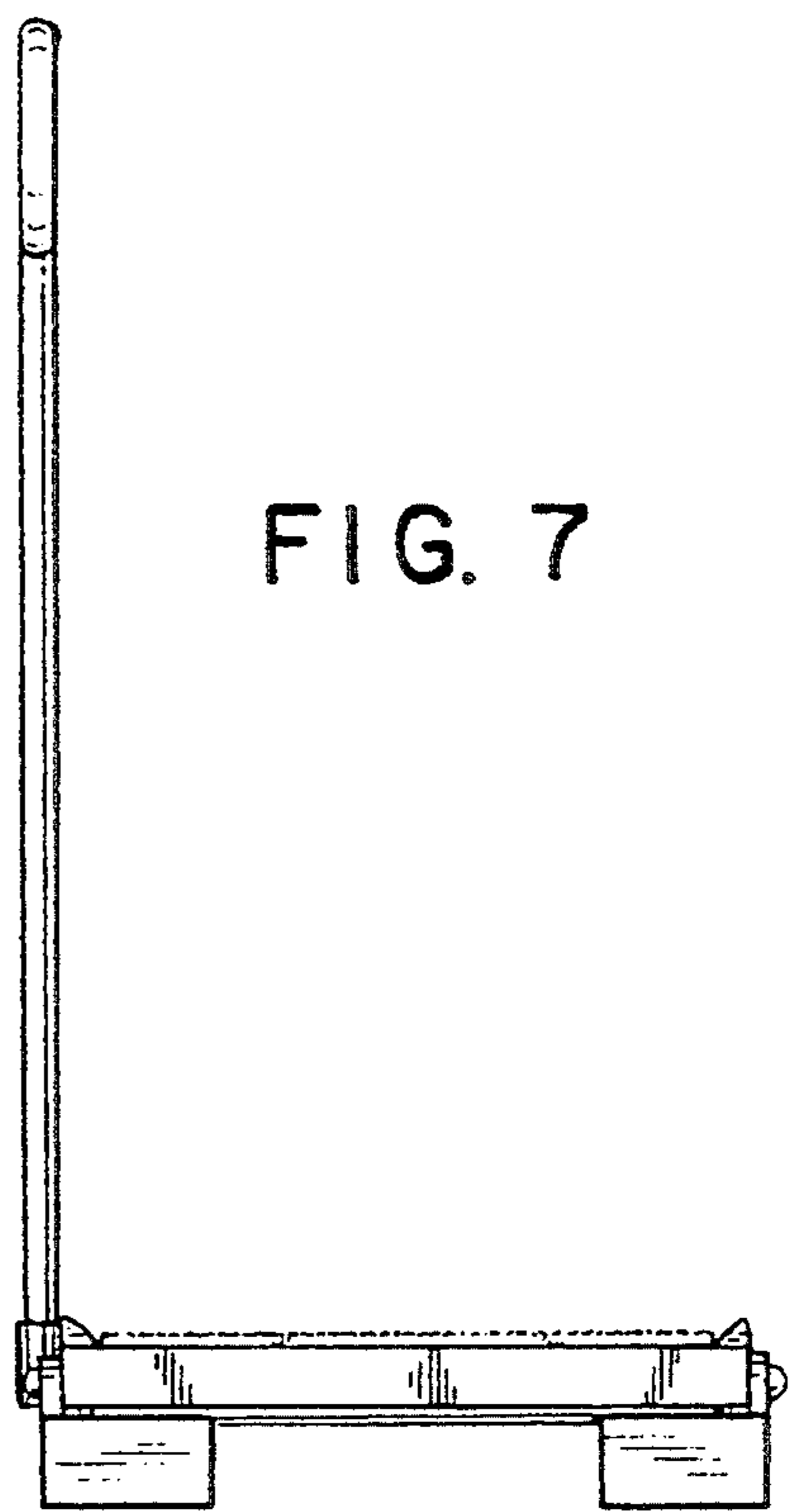


FIG. 7

