



US00D361639S

United States Patent [19]

[11] Patent Number: Des. 361,639

Christopoulos

[45] Date of Patent: ** Aug. 22, 1995

[54] WALL MOUNTED LIGHT

[76] Inventor: **Demetrios L. Christopoulos**, P.O. Box 7081, Boca Raton, Fla. 33431

[**] Term: **14 Years**

[21] Appl. No.: **22,558**

[22] Filed: **May 9, 1994**

[52] U.S. Cl. **D26/85; D26/63**

[58] Field of Search **D26/72, 80-92, D26/60-65; 362/147, 432, 269, 274, 275, 285, 418, 419, 427**

[56] References Cited

U.S. PATENT DOCUMENTS

D. 170,188	8/1953	Flood, Jr.	D26/85
D. 237,533	11/1975	Gandini	D26/87
D. 309,795	8/1990	Sahlen	D26/87
1,888,734	11/1932	McCabe	362/147 X

OTHER PUBLICATIONS

Lighting Bug, Ltd., Wall Sconce Flyer, Quarter Sphere Wall Sconce.

Manning Lighting Catalog, ©1993, p. 2, Wall Sconce #DS-101B-PL-W.

Primary Examiner—Susan J. Lucas

[57] CLAIM

The ornamental design for wall mounted light, as shown and described.

DESCRIPTION

FIG. 1 is a front elevational view of a wall mounted light showing my new design, the adjustable reflector being pivoted to the lower position;

FIG. 2 is a side elevational view thereof, the opposite side being a mirror image;

FIG. 3 is a rear elevational view thereof;

FIG. 4 is a side elevational view thereof, the adjustable reflector being pivoted to the upward position;

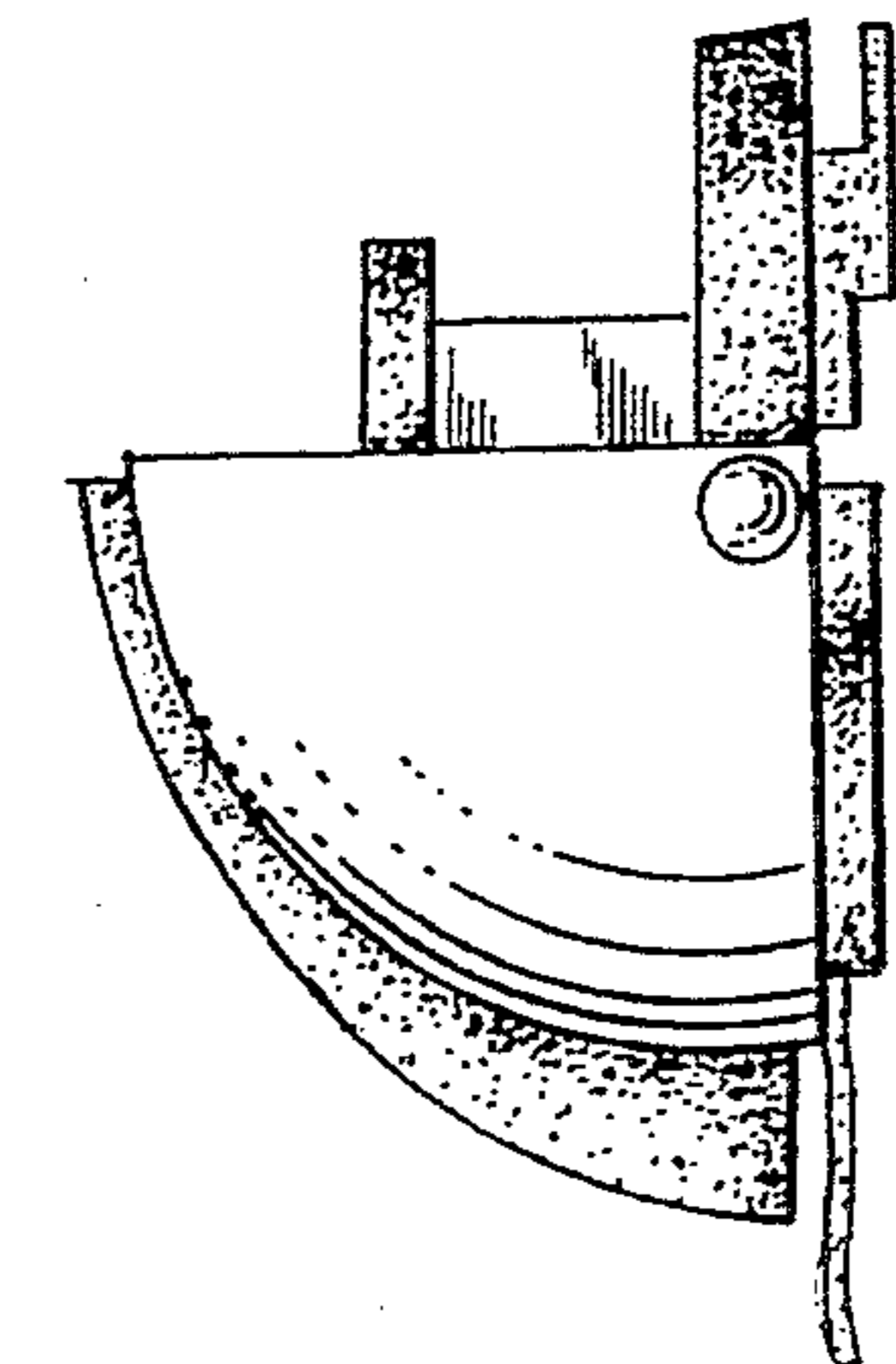
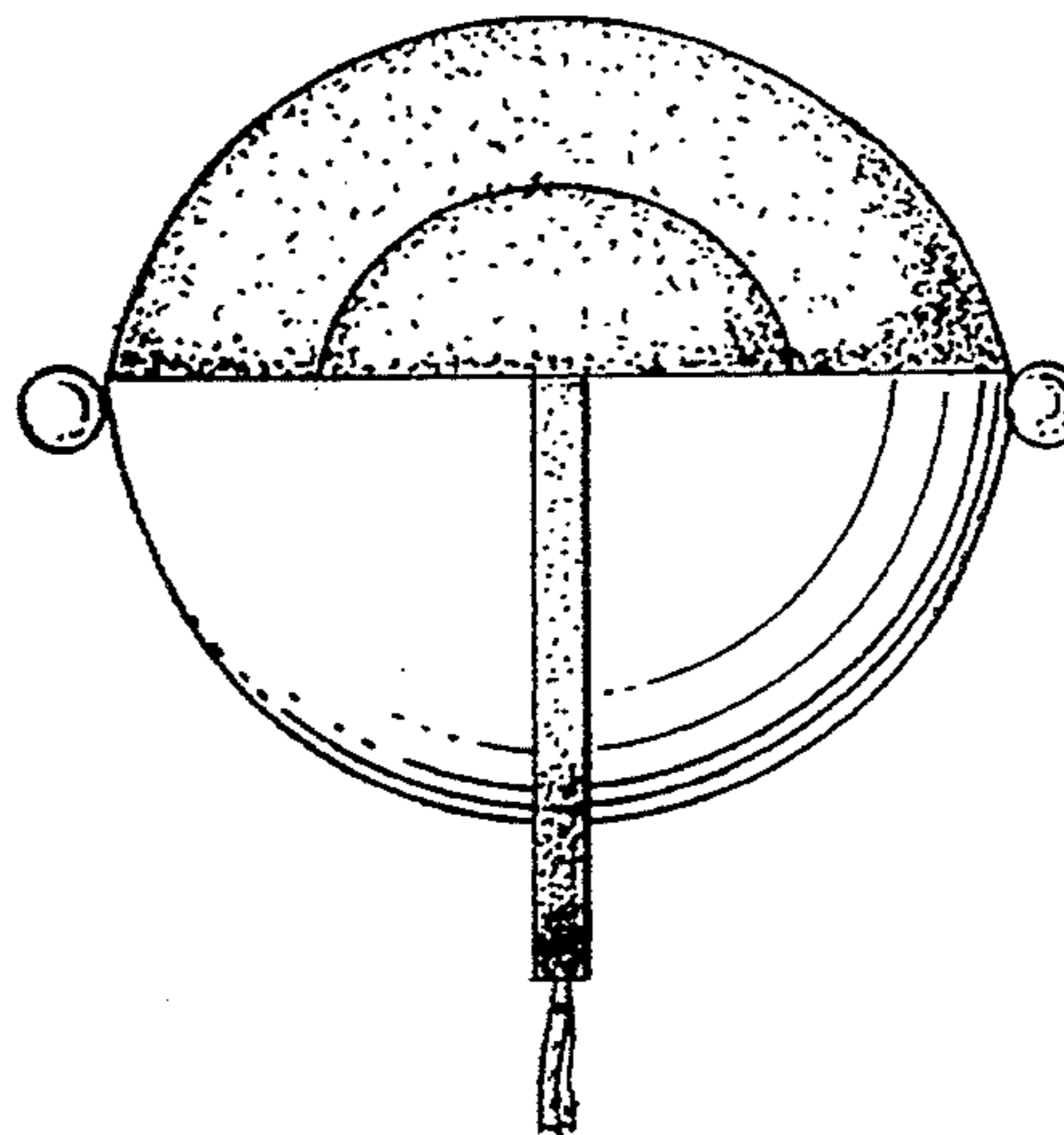
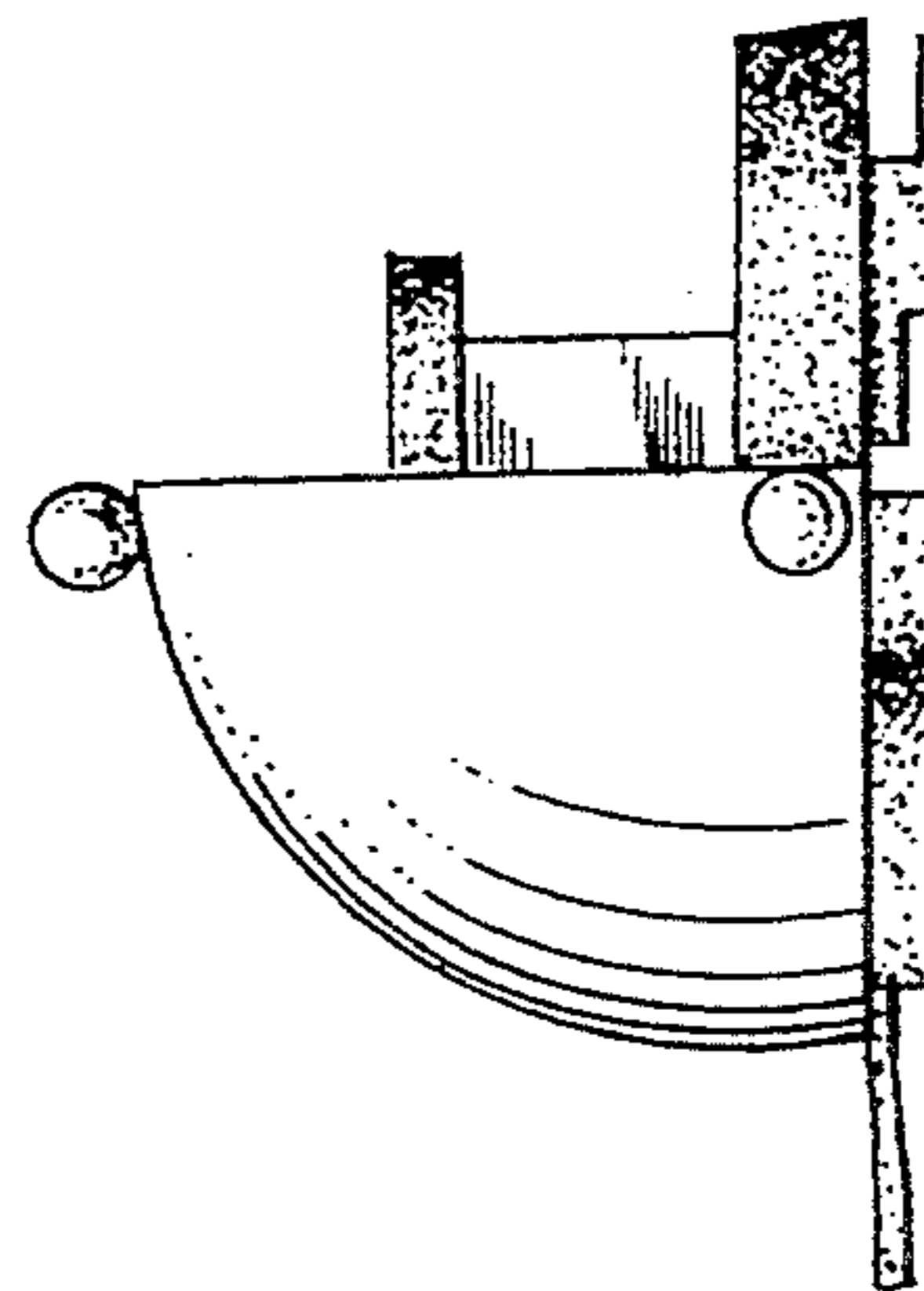
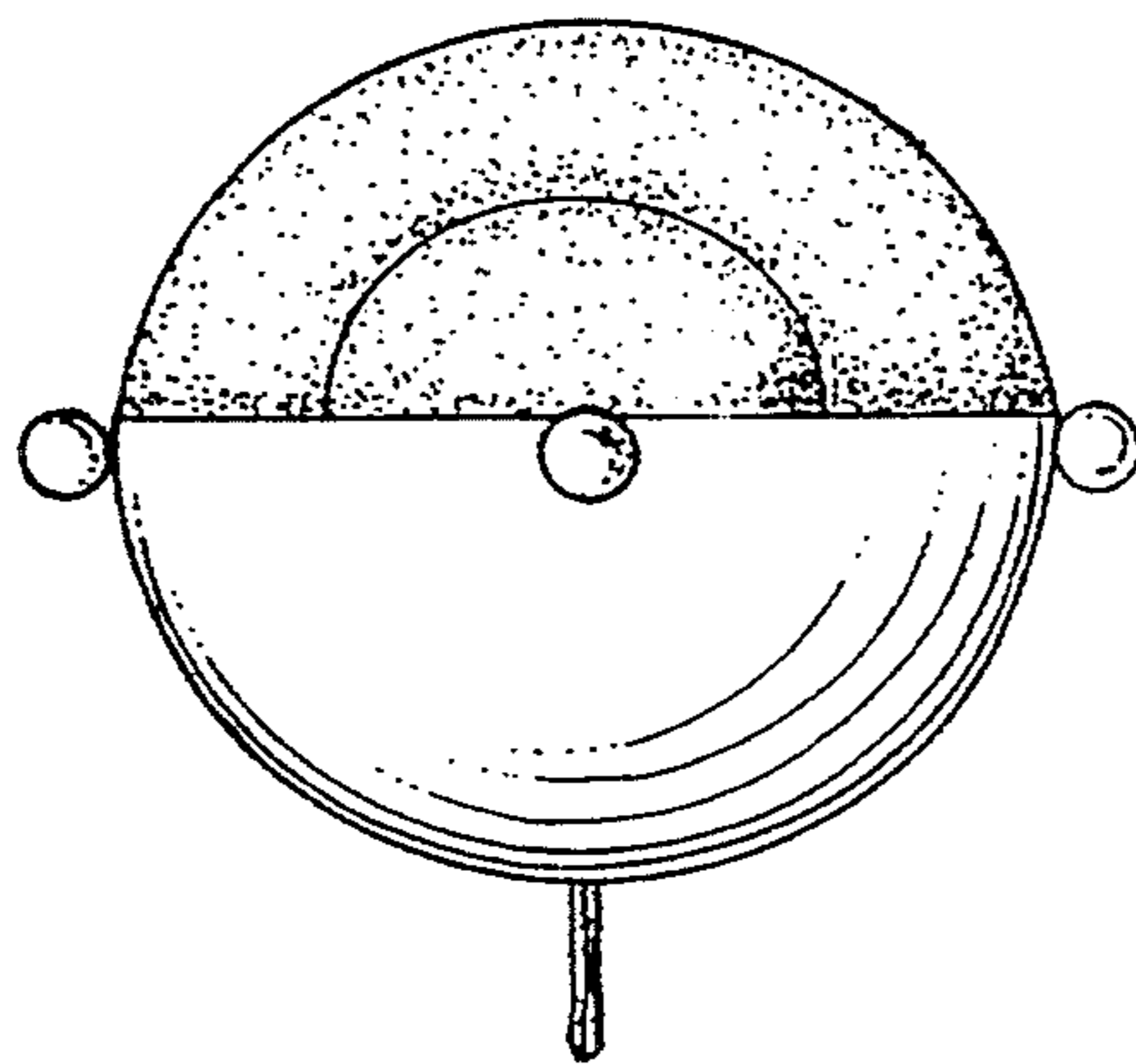
FIG. 5 is a front elevational view thereof;

FIG. 6 is a top plan view of a second embodiment of my new design, the adjustable reflector being pivoted to the lower position;

FIG. 7 is a front elevational view thereof; and,

FIG. 8 is a side elevational view thereof, the opposite side being a mirror image.

The top view of the interior surface of the first embodiment with the reflector in the lower position is identical to that of the second embodiment as shown in FIG. 6. The rear surface of the second embodiment is identical to that of the first embodiment as shown in FIG. 3.



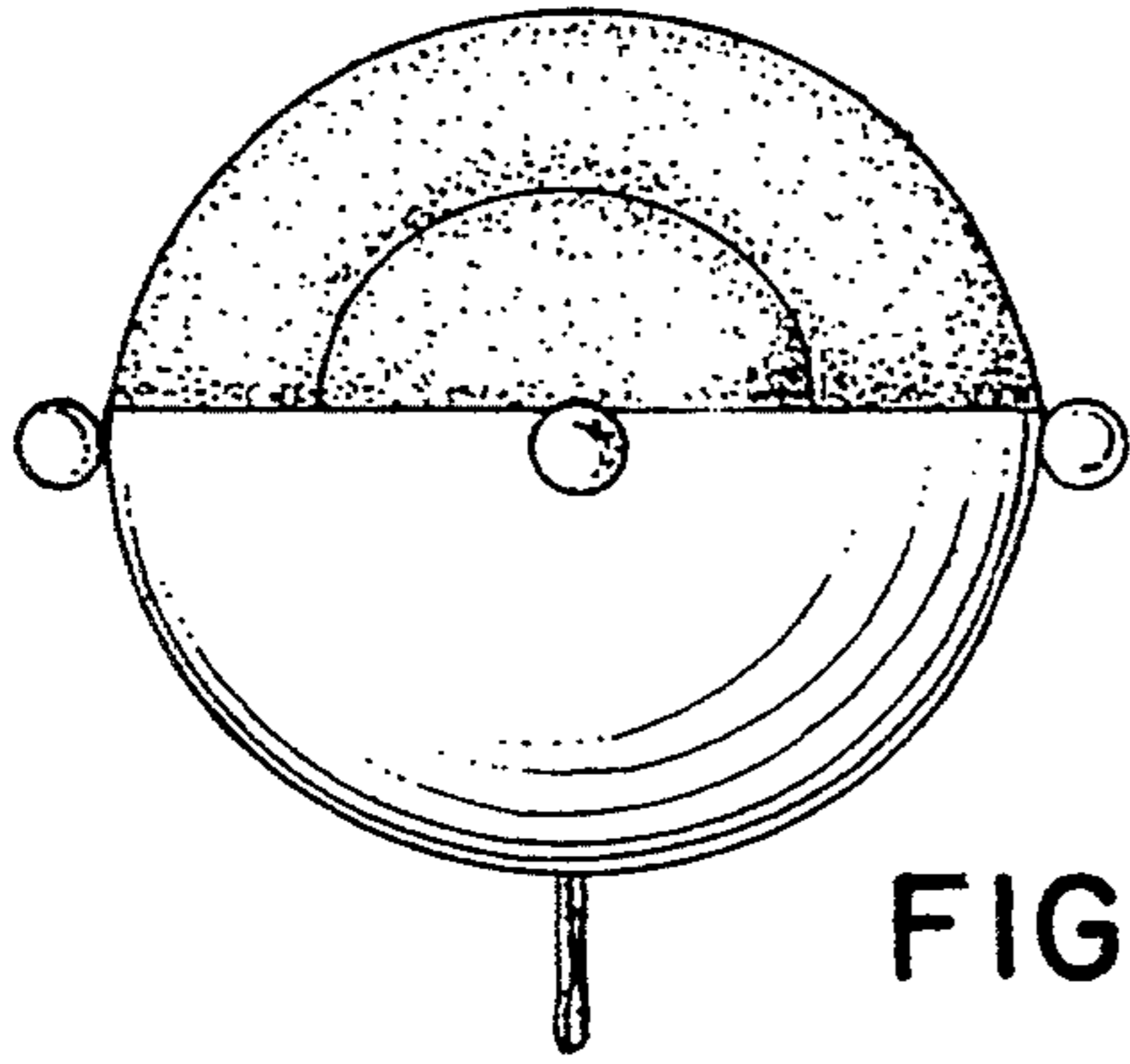


FIG. 1

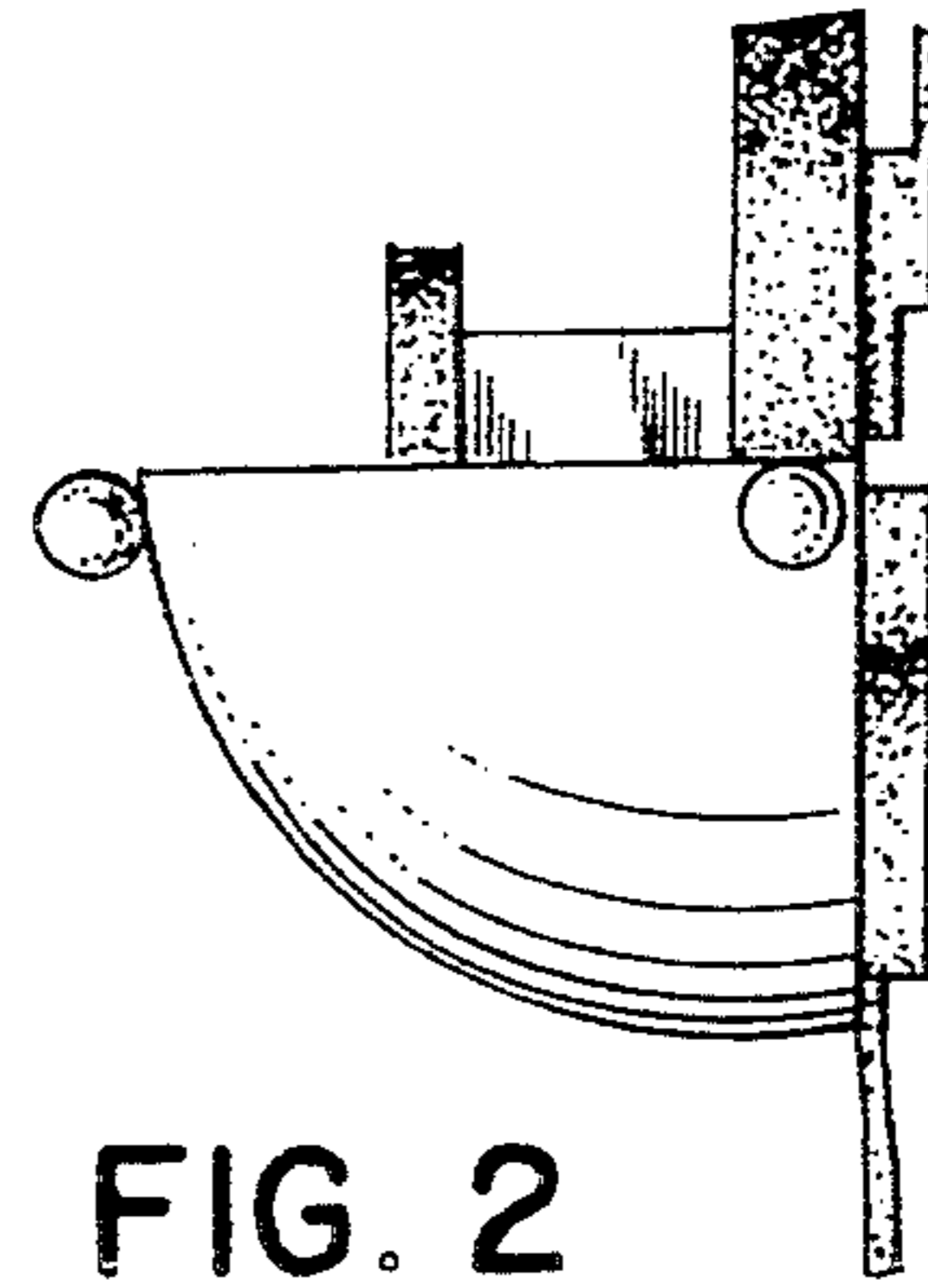


FIG. 2

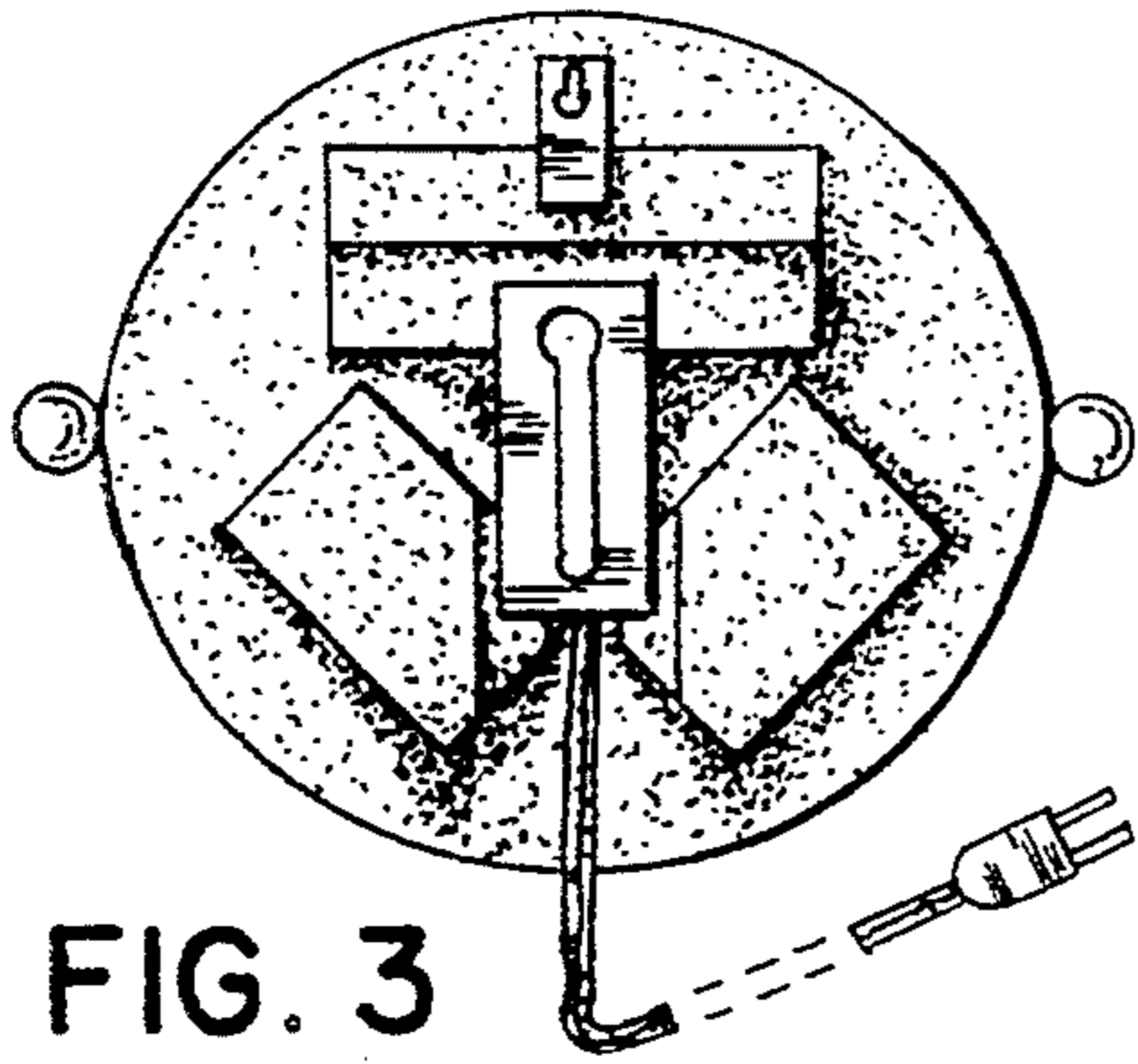


FIG. 3

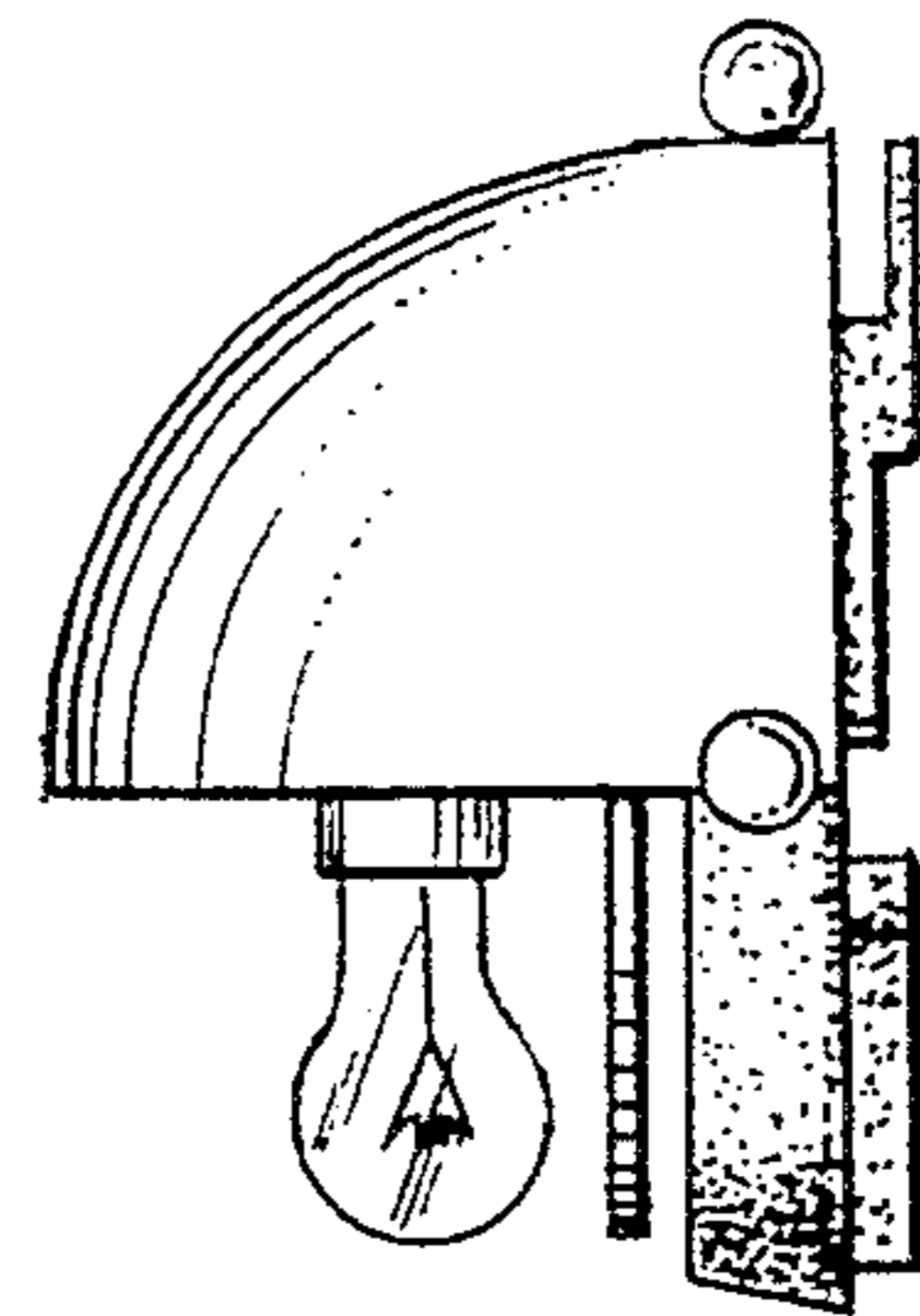


FIG. 4

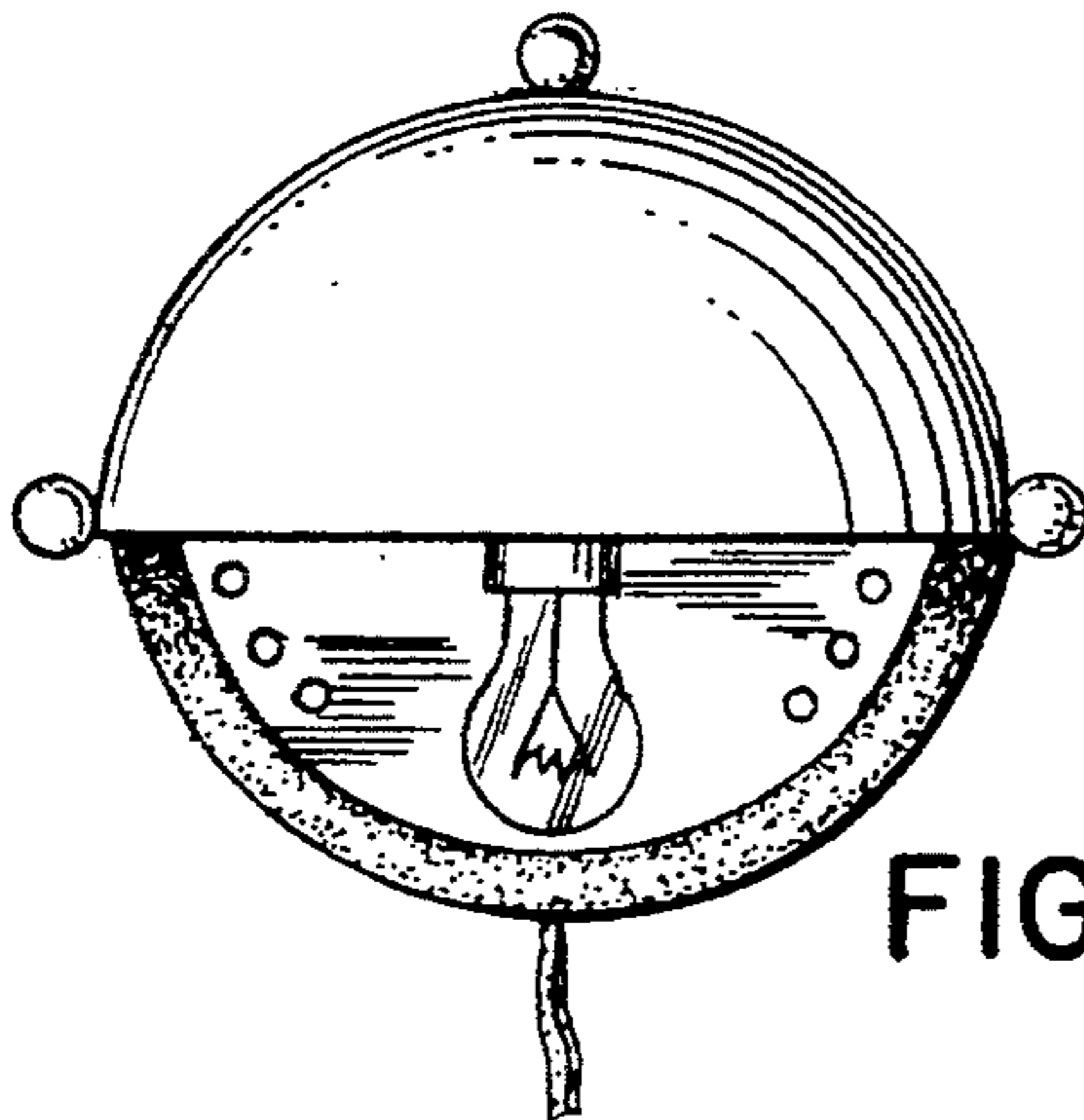


FIG. 5

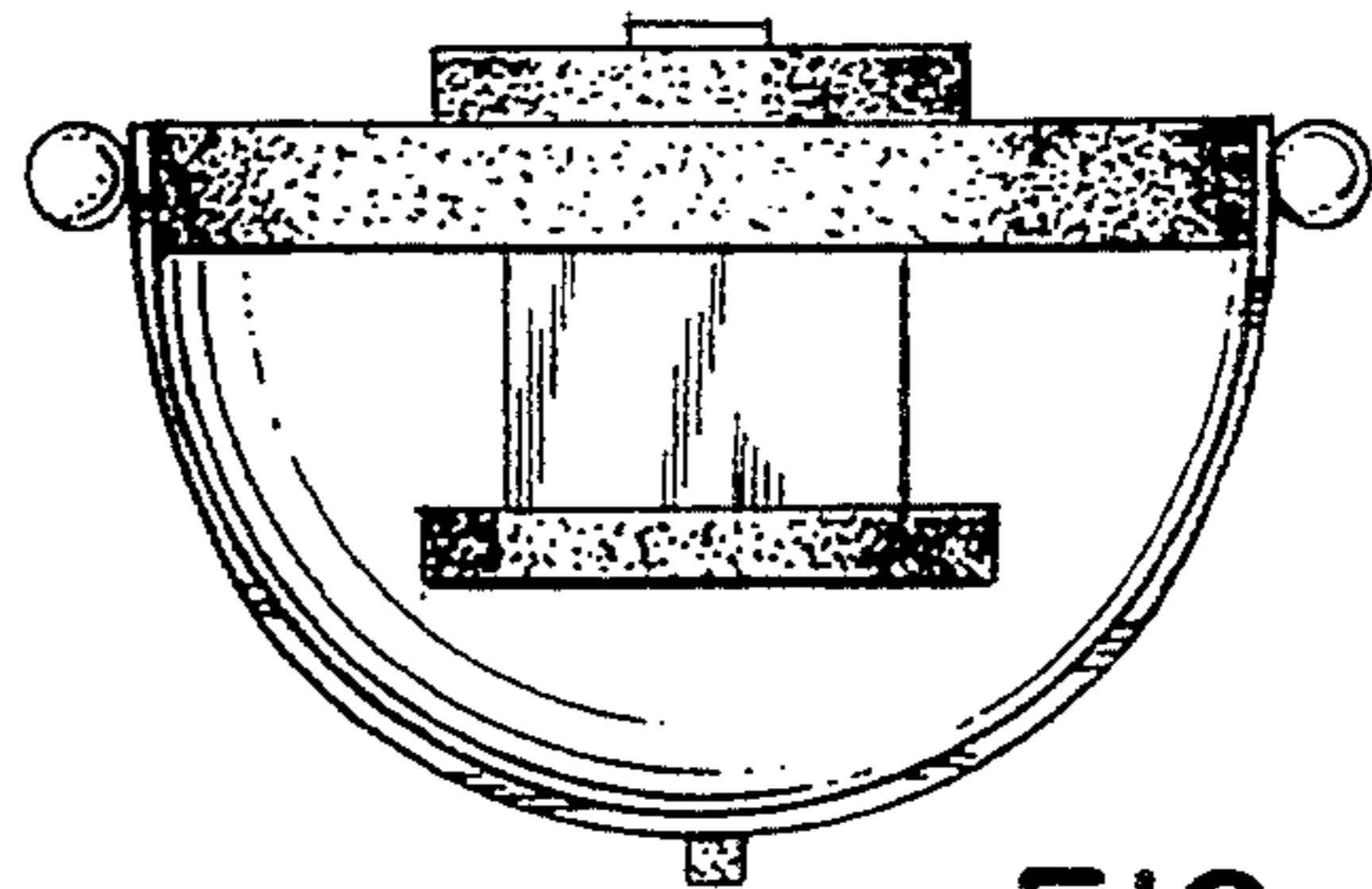


FIG. 6

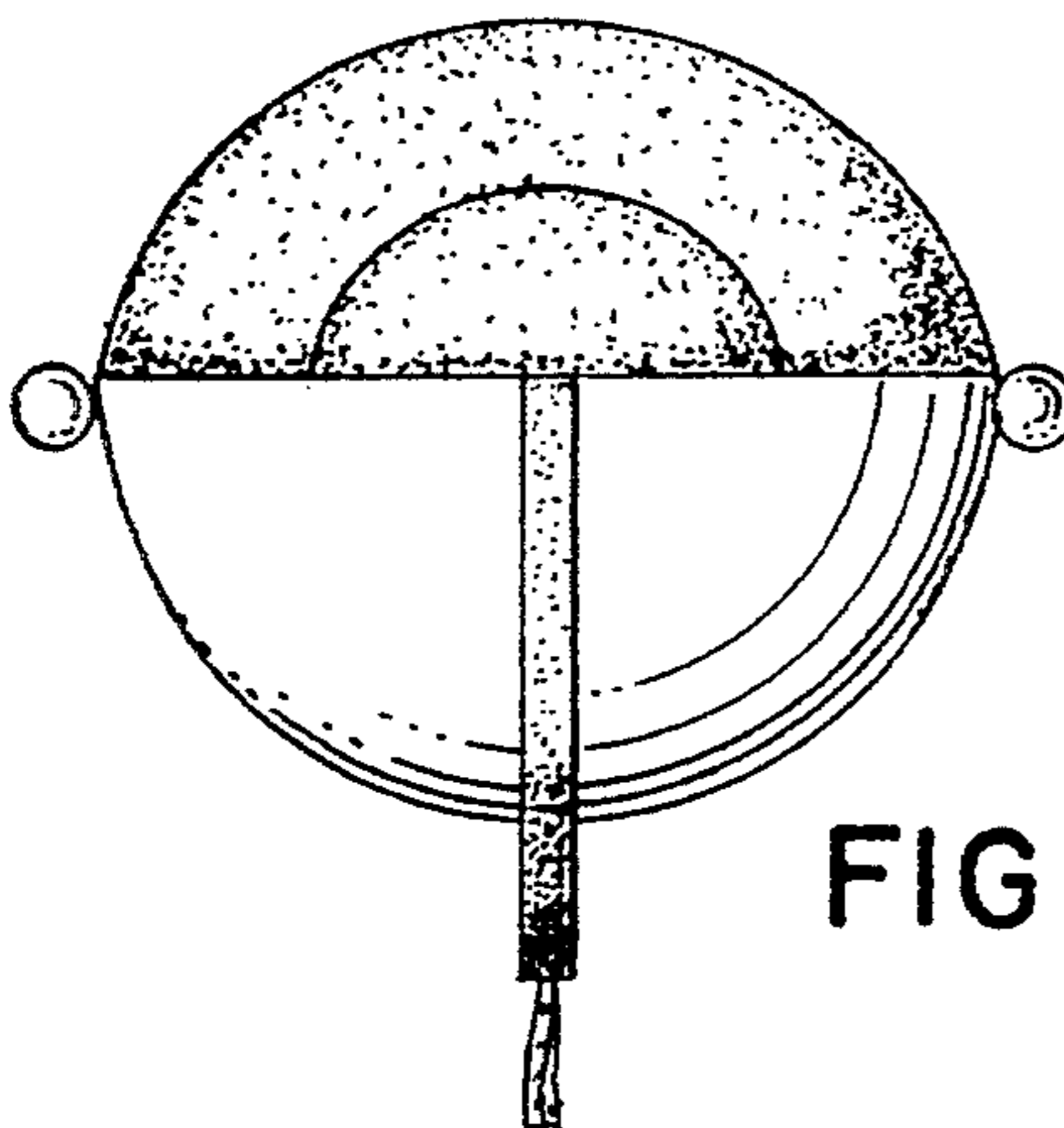


FIG. 7

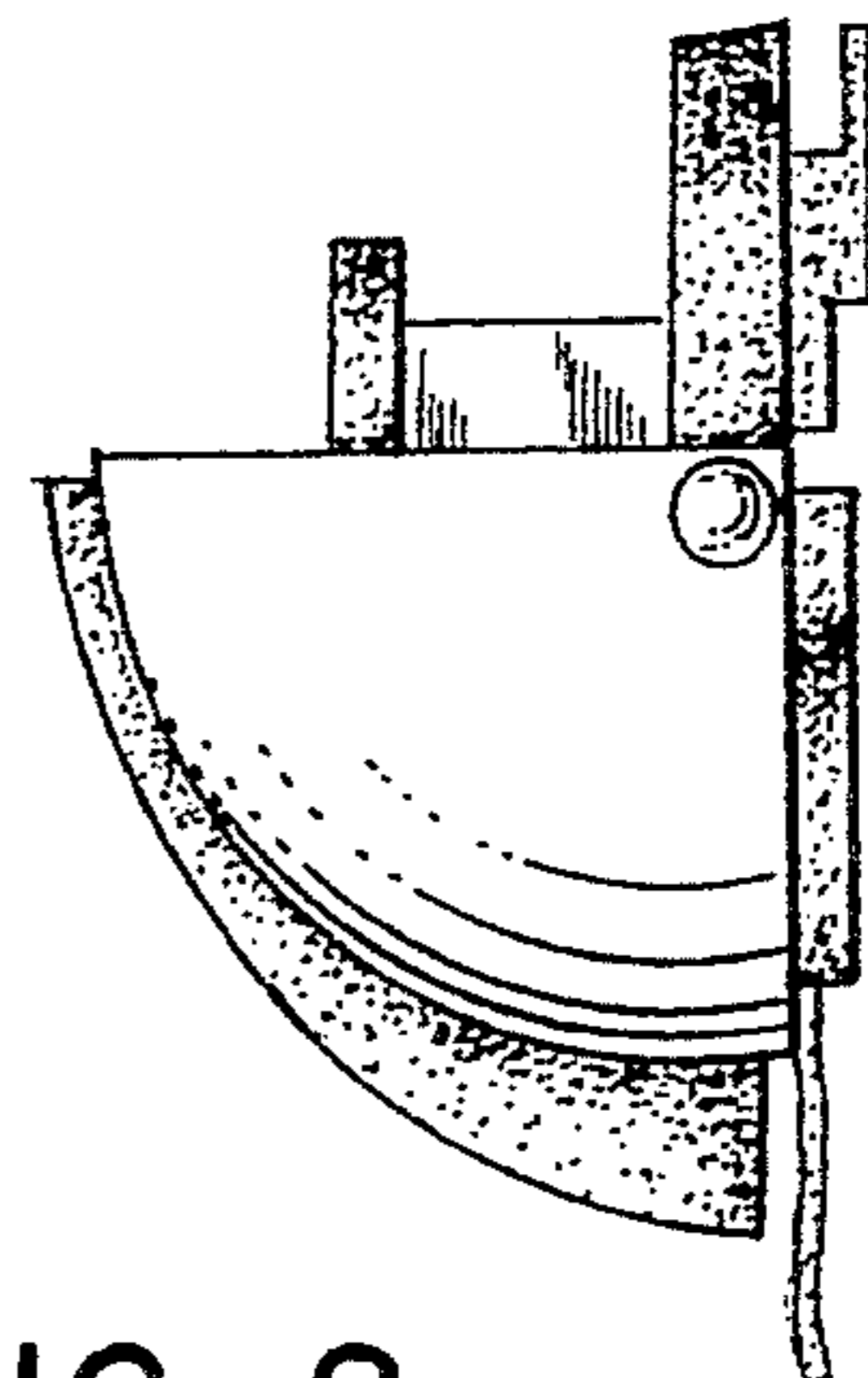


FIG. 8