



US00D361637S

# United States Patent [19]

[11] Patent Number: **Des. 361,637**

**Miskin**

[45] Date of Patent: **\*\* Aug. 22, 1995**

[54] **RAZOR HEAD**

[76] Inventor: **Michael Miskin**, 4927 N. Lester,  
Chicago, Ill. 60630

[\*\*] Term: **14 Years**

[21] Appl. No.: **25,413**

[22] Filed: **Jun. 30, 1994**

2,127,010	8/1938	Sampson .....	30/32 X
4,700,477	10/1987	Heller .....	30/77
4,926,553	5/1990	Miskin et al. ....	30/49

**FOREIGN PATENT DOCUMENTS**

330869	6/1930	United Kingdom .....	30/49
--------	--------	----------------------	-------

*Primary Examiner*—Prabhakar G. Deshmukh  
*Assistant Examiner*—C. Tuttle  
*Attorney, Agent, or Firm*—Wallenstein & Wagner, Ltd.

**Related U.S. Application Data**

[62] Division of Ser. No. 916,404, Jul. 20, 1992, Pat. No. D. 351,485.

[52] U.S. Cl. .... **D28/47**

[58] Field of Search ..... **D28/44-47;**  
30/32, 34.05, 34.2, 48, 49, 68, 346.55, 356, 357,  
346.5

[57] **CLAIM**

The ornamental design for a razor head, as shown and described.

**DESCRIPTION**

FIG. 1 is a perspective view of the razor head;  
FIG. 2 is a side view of the razor head, the other side being the same as the side shown;  
FIG. 3 is a back view of the razor head;  
FIG. 4 is a front view of the razor head;  
FIG. 5 is a top view of the razor head; and,  
FIG. 6 is a bottom view of the razor head.  
In FIGS. 1 through 6, the broken lines showing the razor handle are for illustrative purposes only and form no part of the claimed razor head design therein.

[56] **References Cited**

**U.S. PATENT DOCUMENTS**

D. 145,650	10/1946	Baer .....	D28/46
D. 165,867	2/1952	Rauff .....	D28/46
D. 254,692	4/1980	Del Re .....	D28/46
950,820	3/1910	Hygonnet .....	30/49
1,342,028	1/1920	Nordskog .....	30/49

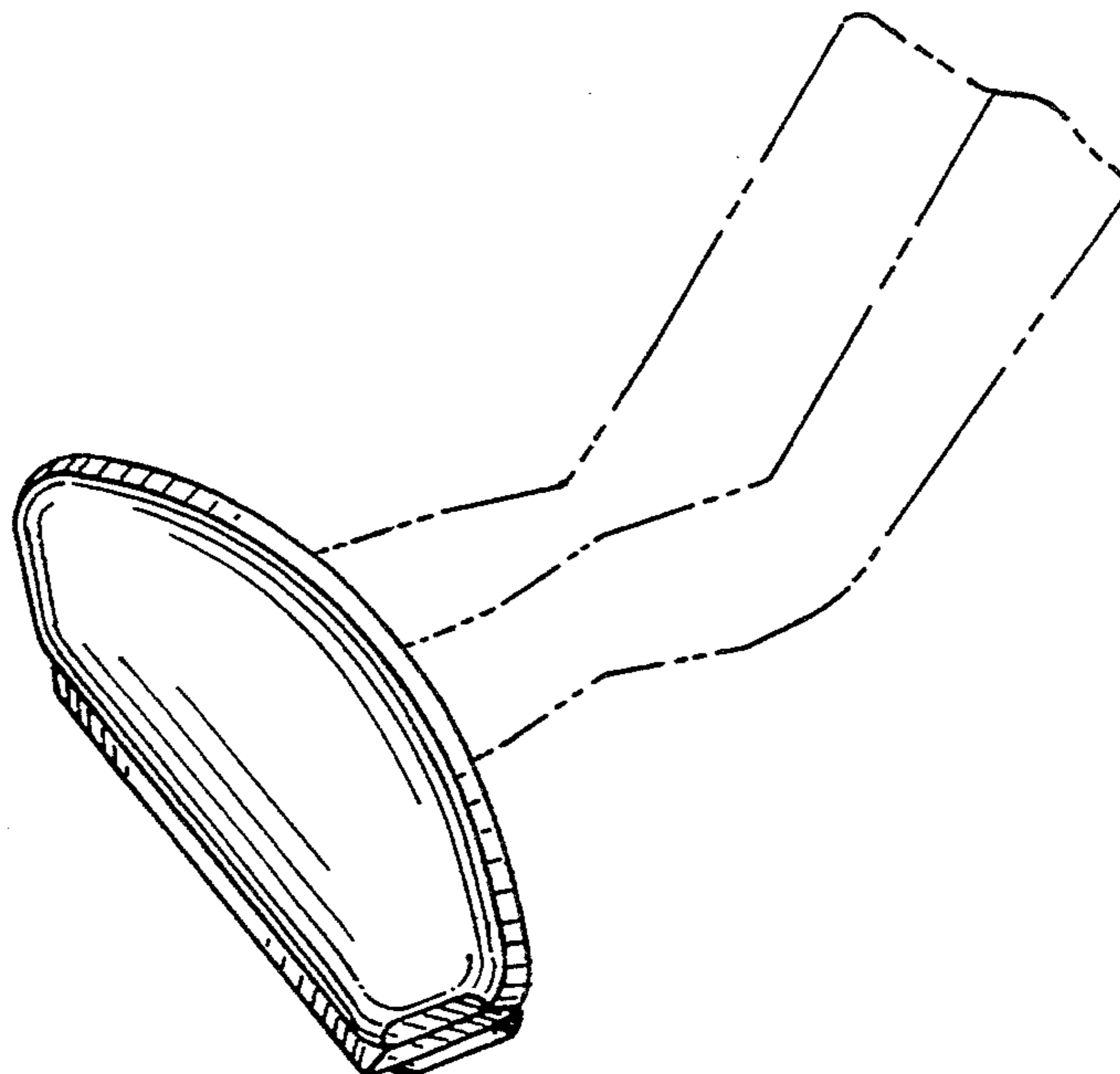


FIG. 1

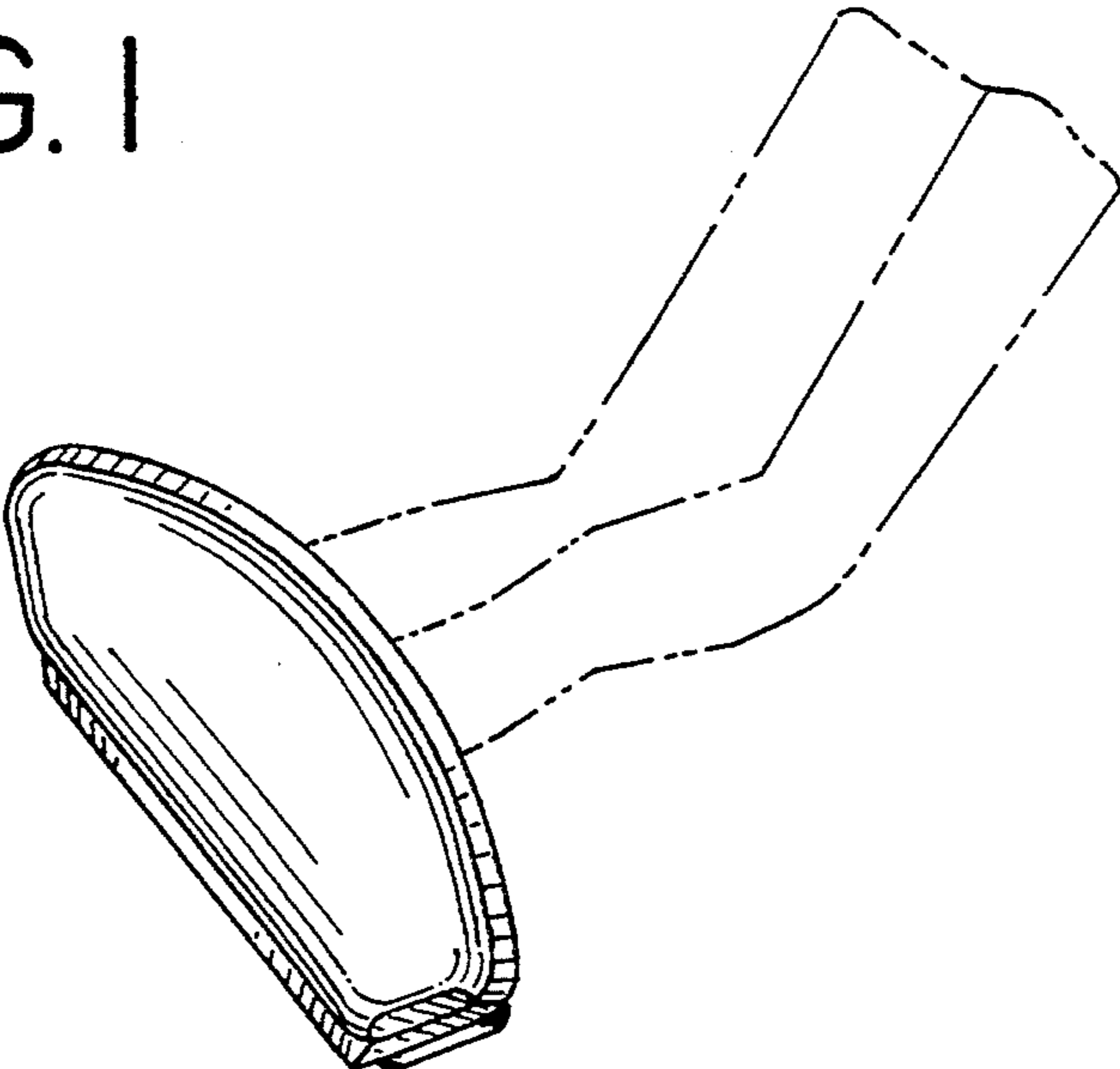


FIG. 3

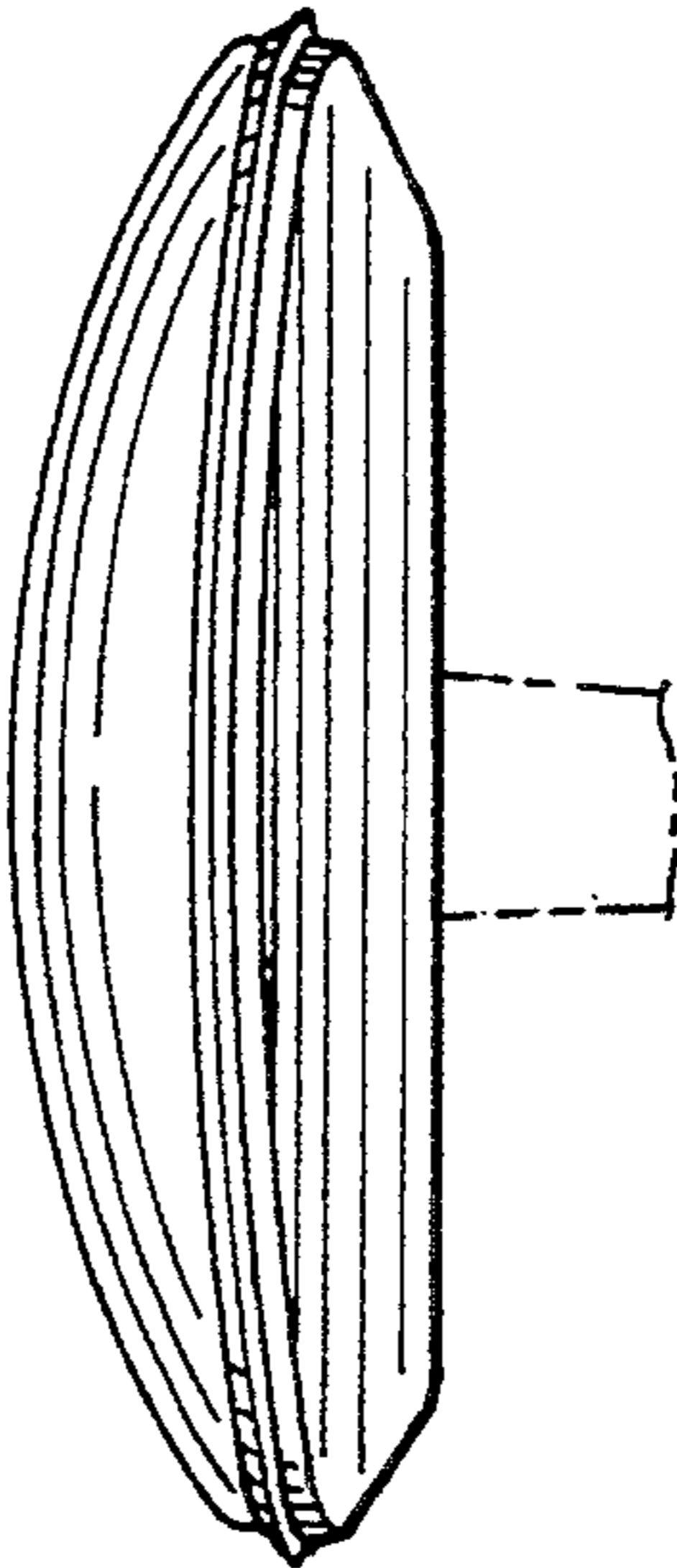


FIG. 4

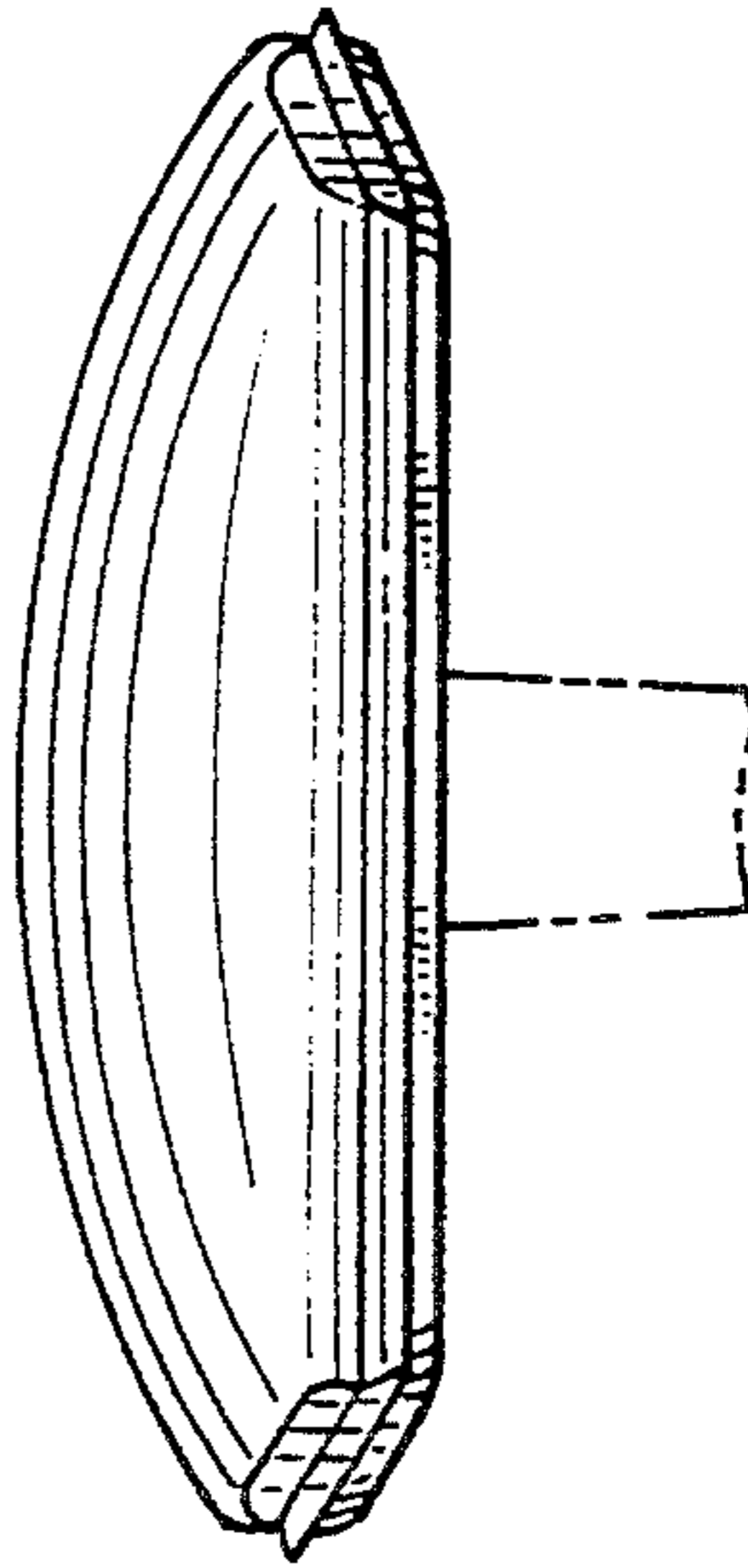


FIG. 2

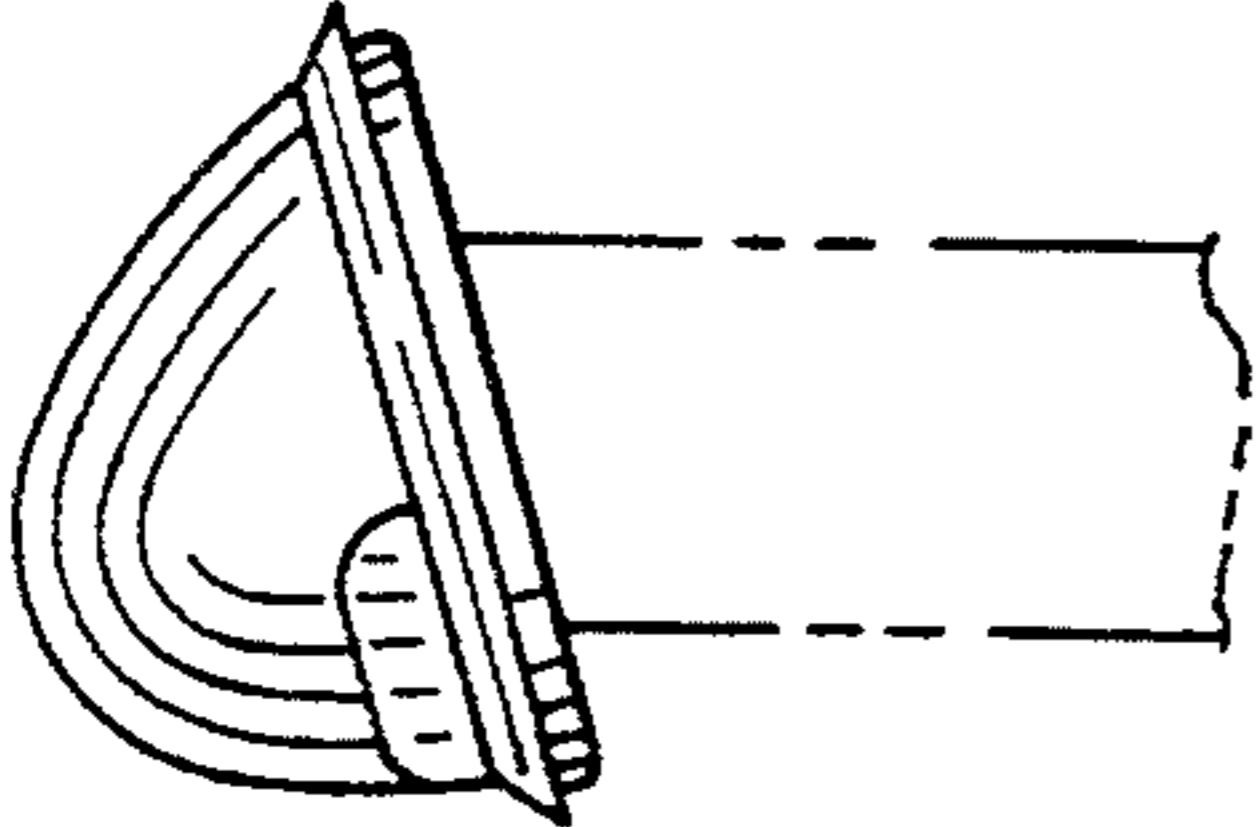


FIG. 5

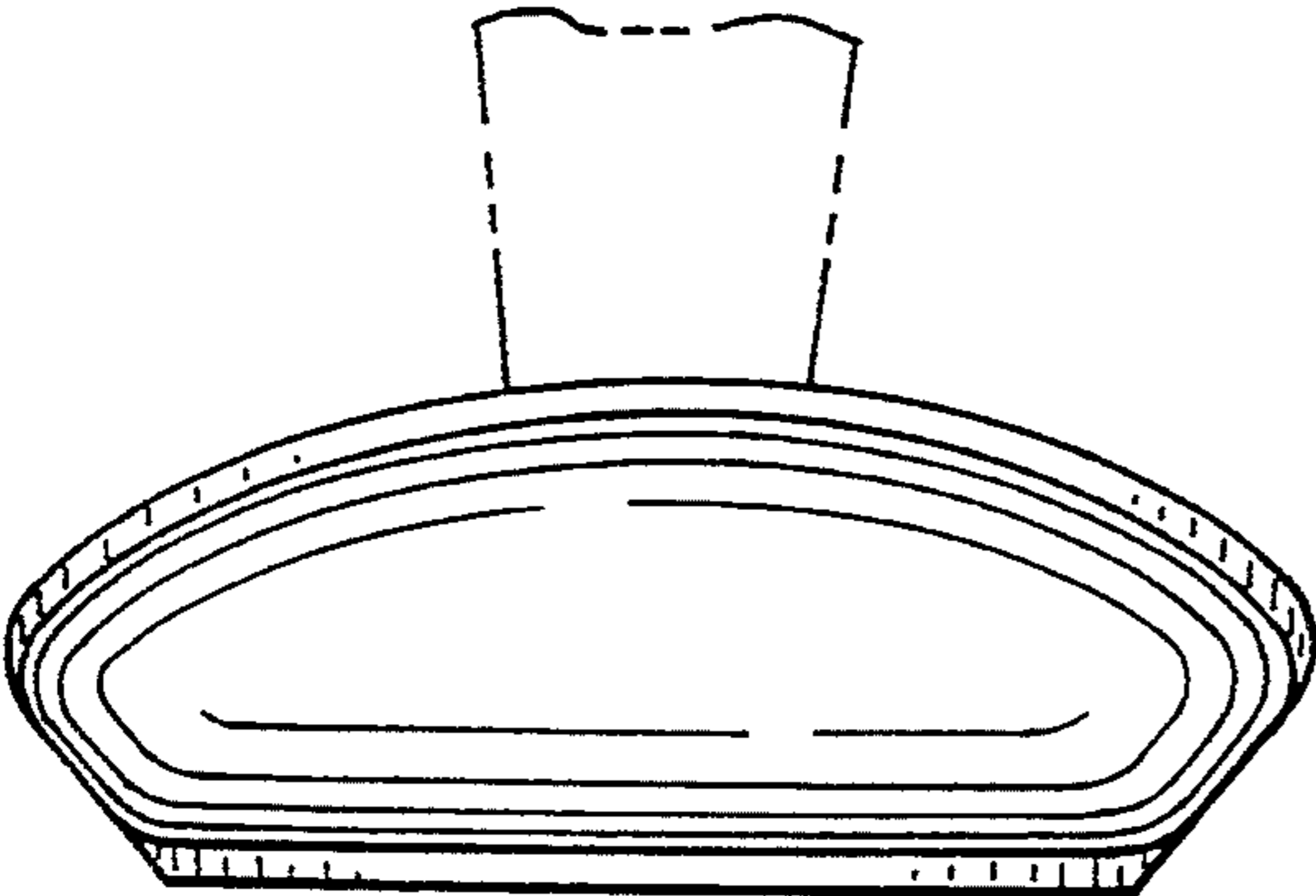


FIG. 6

