



US00D361636S

United States Patent [19]
Poon

[11] **Patent Number: Des. 361,636**
[45] **Date of Patent: ** Aug. 22, 1995**

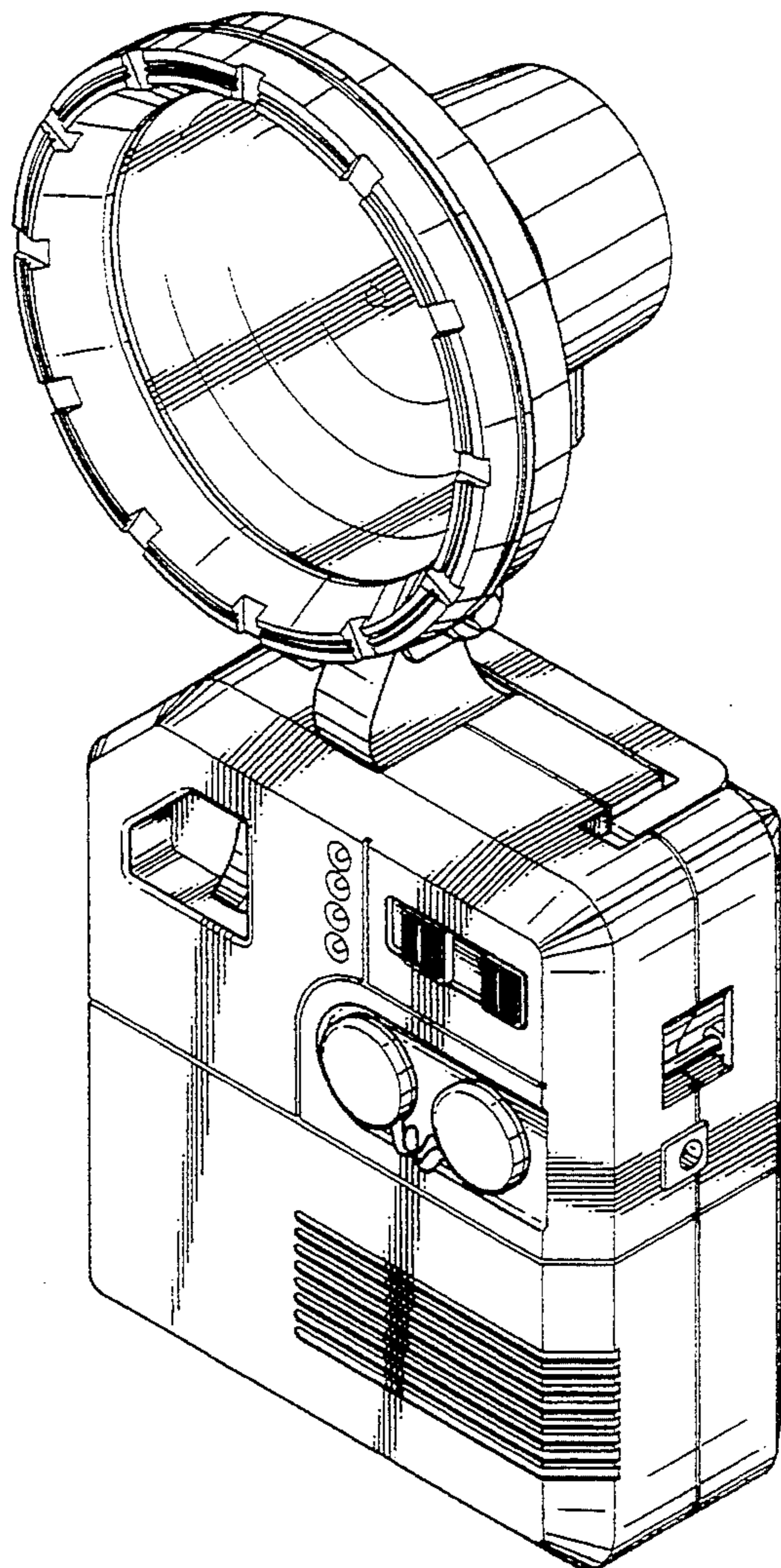
[54] **ELECTRICAL LANTERN WITH RECHARGEABLE BATTERY PACK**
[75] **Inventor: Tit-ying Poon, Chaiwan, Hong Kong**
[73] **Assignee: Flying Dragon Development Ltd., Hong Kong**
[**] **Term: 14 Years**
[21] **Appl. No.: 28,634**
[22] **Filed: Sep. 19, 1994**

[30] **Foreign Application Priority Data**
Jun. 29, 1994 [GB] United Kingdom 2040018
[52] **U.S. Cl. D26/44**
[58] **Field of Search D26/37-50;**
362/157, 158, 183, 184, 187-202

[56] **References Cited**
U.S. PATENT DOCUMENTS
2,582,330 1/1952 Hautala 362/183
3,233,092 2/1966 Umholtz 362/183
4,345,304 8/1982 Penney et al. 362/196 X
Primary Examiner—Susan J. Lucas
Attorney, Agent, or Firm—Samuels, Gauthier & Stevens

[57] **CLAIM**
The ornamental design for a electric lantern with re-chargeable battery pack, as shown.

DESCRIPTION
FIG. 1 is a perspective view of a electric lantern with rechargeable battery pack showing my new design;
FIG. 2 is a front elevational view thereof;
FIG. 3 is a rear elevational view thereof;
FIG. 4 is a left side view thereof;
FIG. 5 is a right side view thereof;
FIG. 6 is a top plan view thereof; and,
FIG. 7 is a bottom plan view thereof.



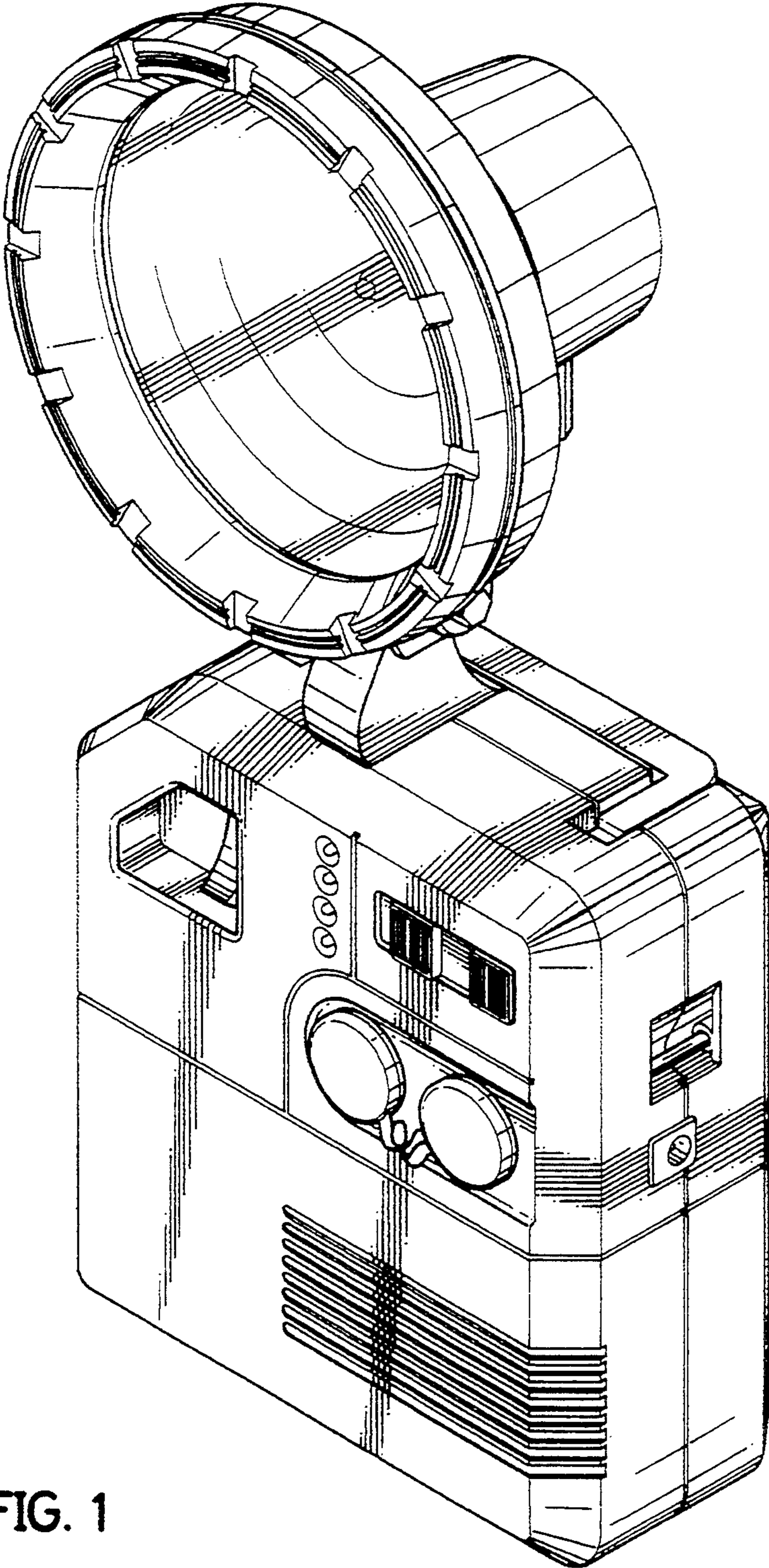


FIG. 1

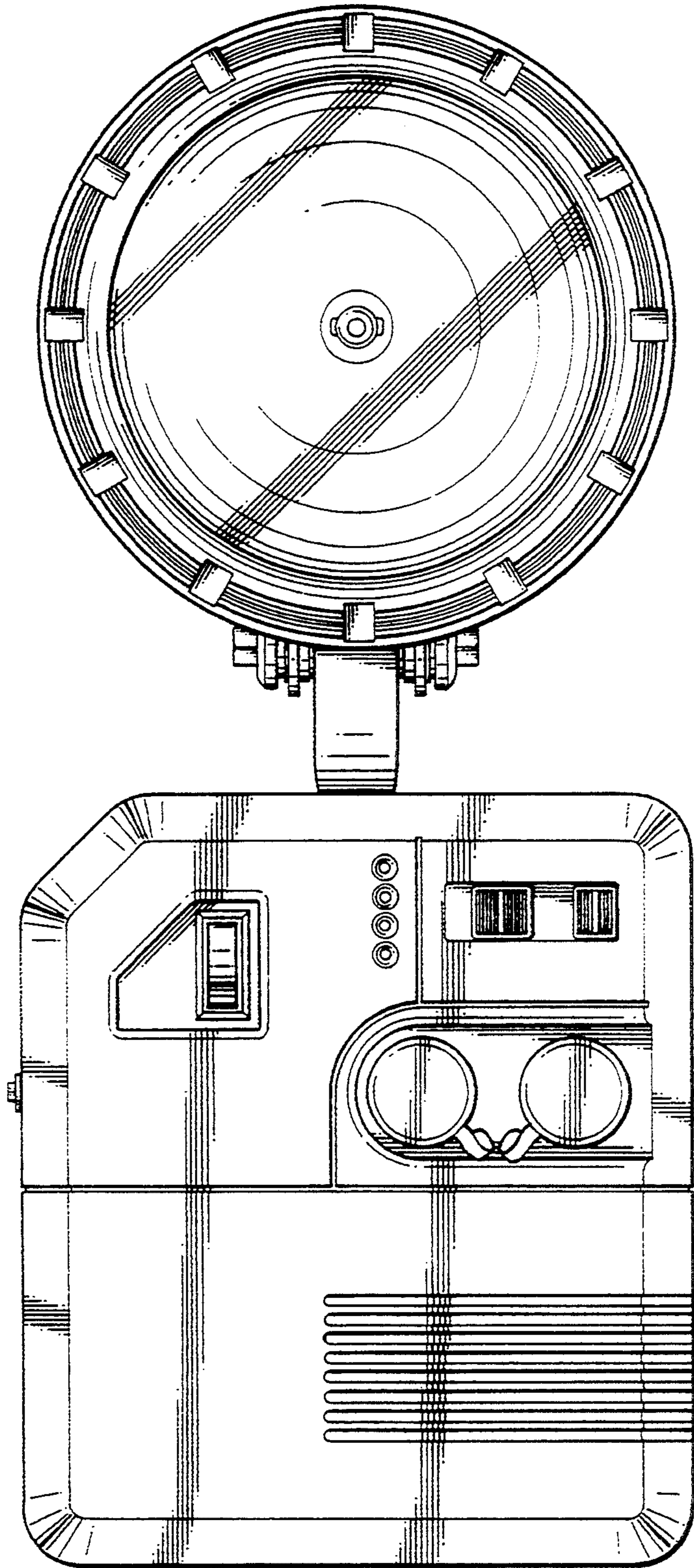


FIG. 2

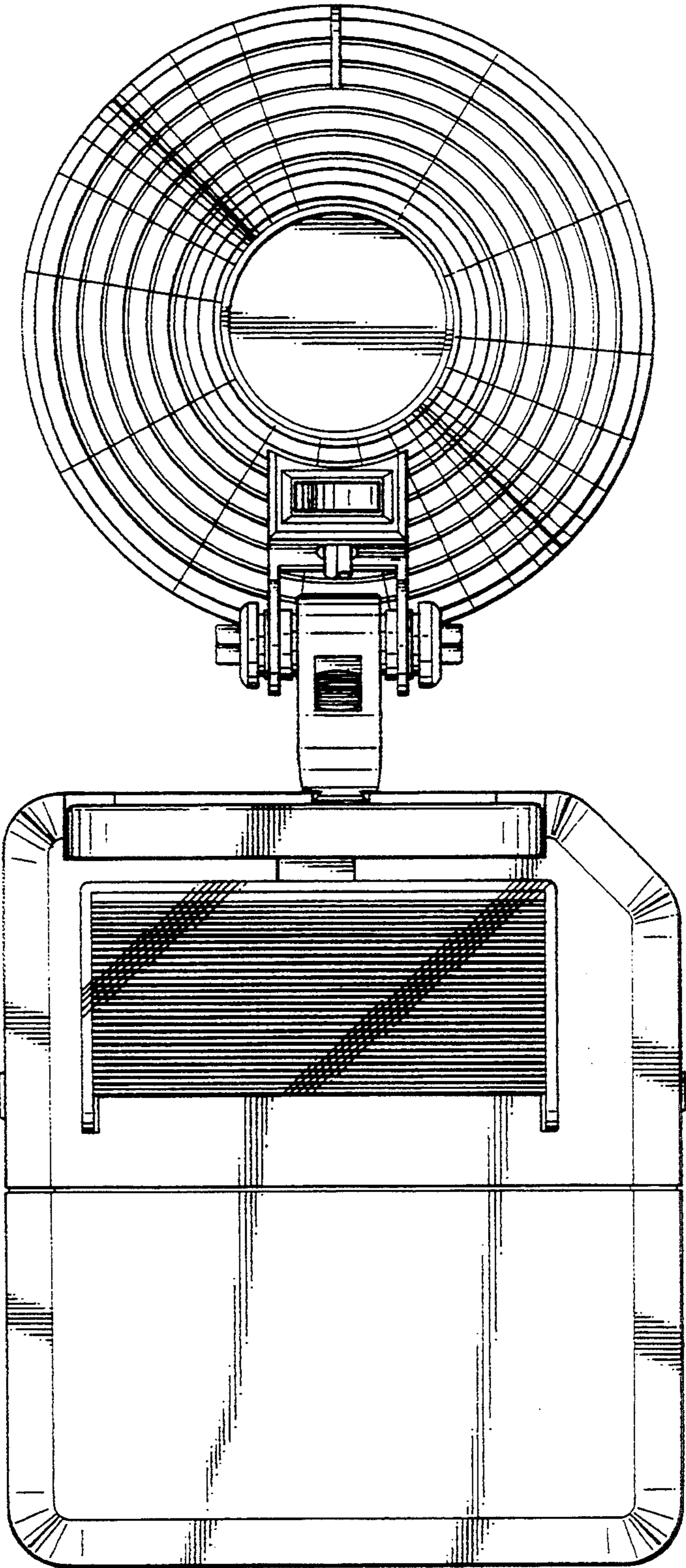


FIG. 3

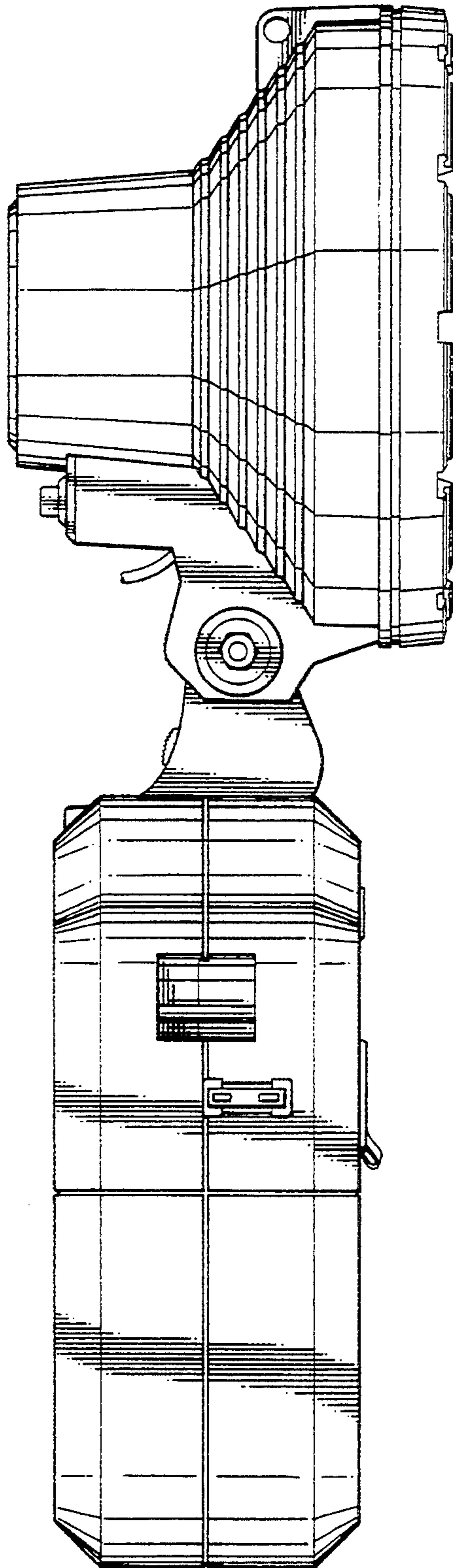


FIG. 4

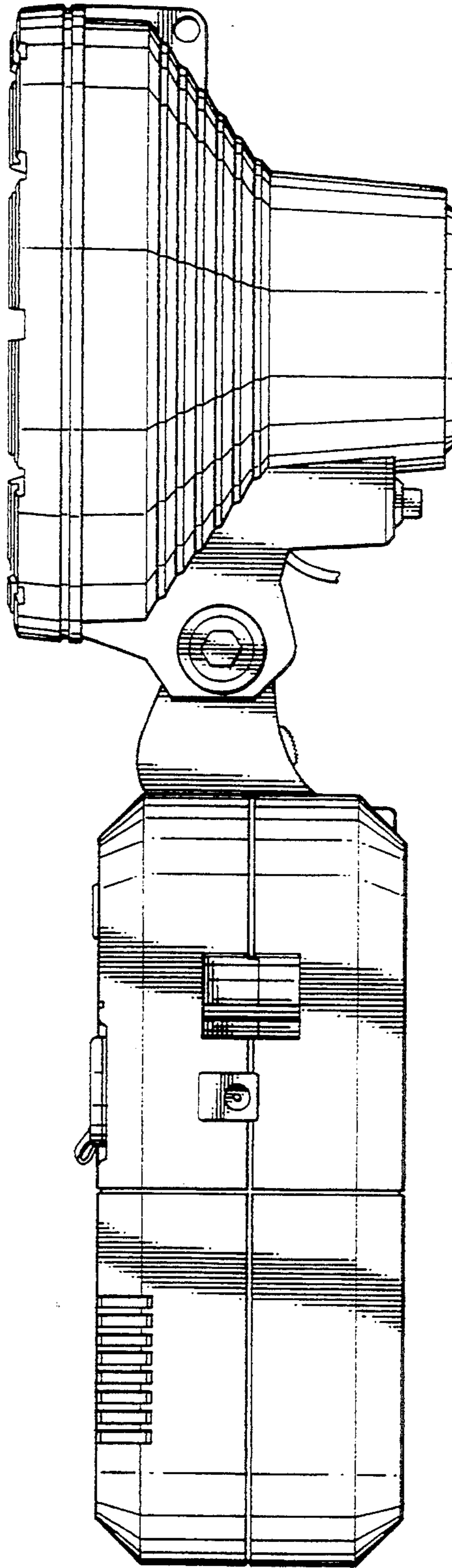


FIG. 5

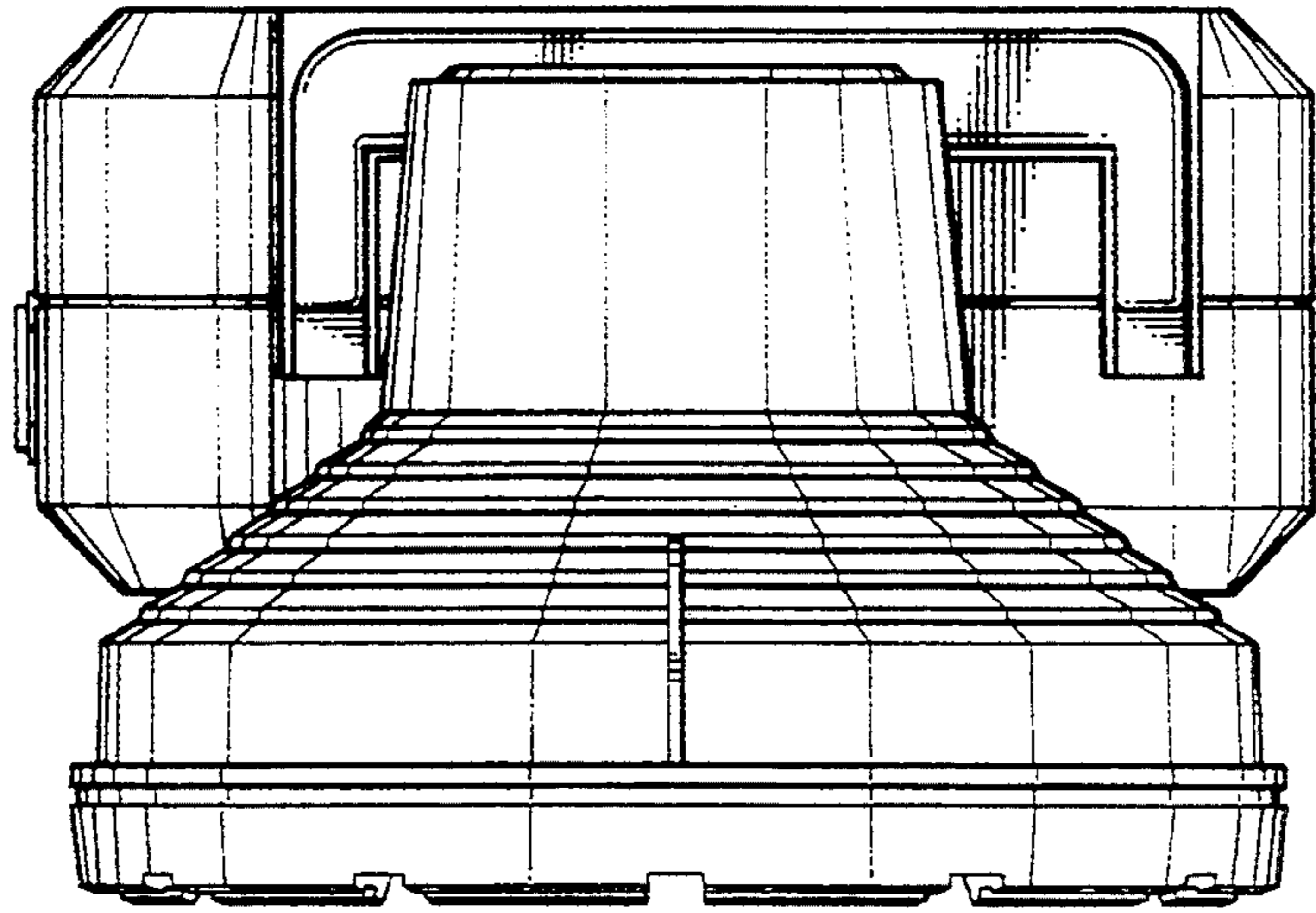


FIG. 6

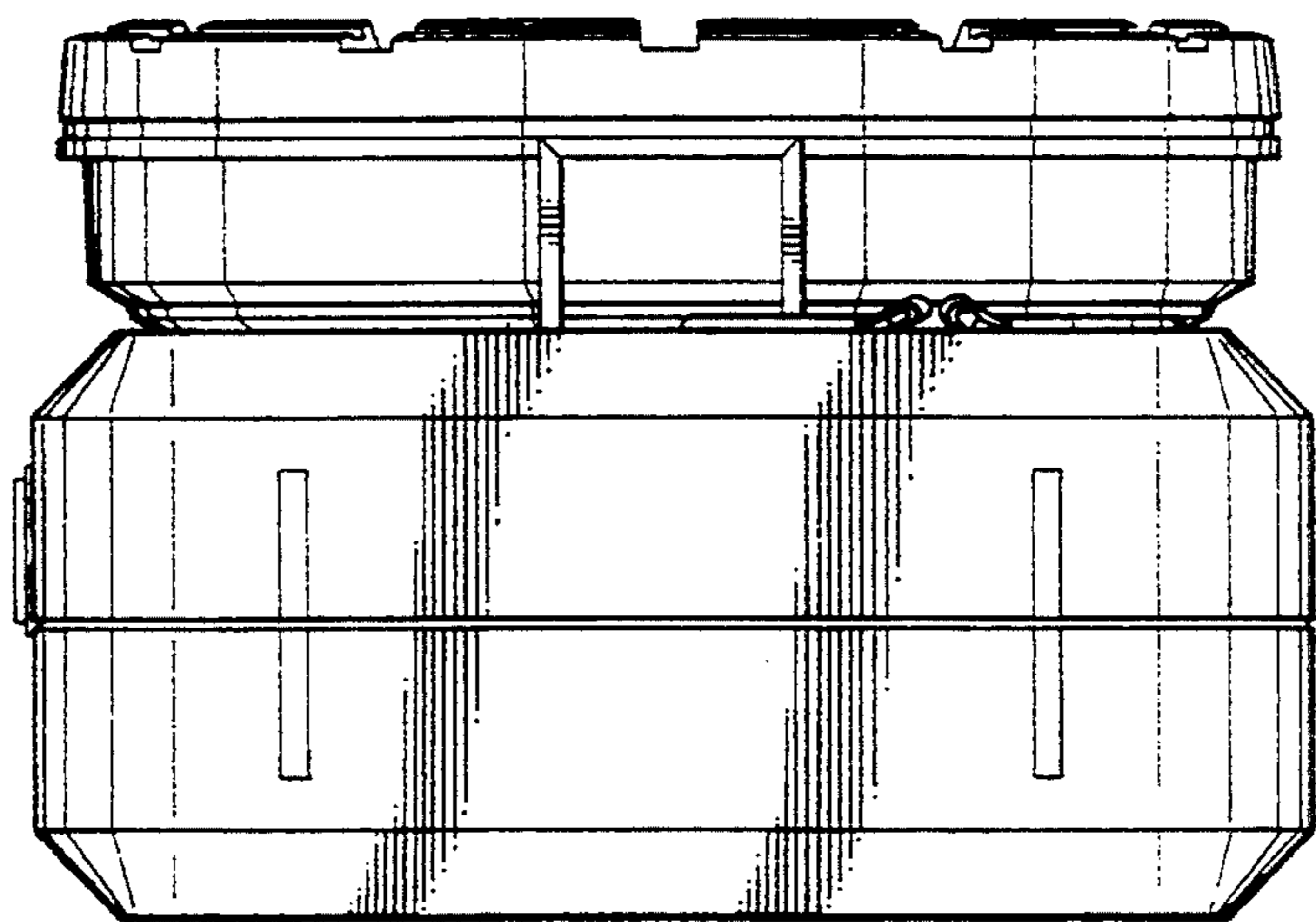


FIG. 7