



US00D361633S

# United States Patent [19] Chabria

[11] Patent Number: **Des. 361,633**  
[45] Date of Patent: **\*\* Aug. 22, 1995**

[54] **FLAT FLASHLIGHT**

[75] Inventor: **Meena G. Chabria, Wayne, Ill.**

[73] Assignee: **Press-A-Lite Corporation, West Chicago, Ill.**

[\*\*] Term: **14 Years**

[21] Appl. No.: **30,541**

[22] Filed: **Nov. 1, 1994**

### Related U.S. Application Data

[63] Continuation-in-part of Ser. No. 8,439, May 17, 1993, Pat. No. Des. 355,272.

[52] U.S. Cl. .... **D26/37**

[58] Field of Search ..... **D26/37-50;**  
**362/157, 158, 183, 184, 187-202**

### [56] References Cited

#### U.S. PATENT DOCUMENTS

- D. 51,972 4/1918 Pearson et al. .... D26/37
- D. 261,052 9/1981 Henkels .
- D. 277,415 1/1985 Berger .
- D. 311,067 10/1990 Chabria ..... D26/46
- 1,306,740 6/1919 Bieber .
- 1,872,840 11/1930 Stevenson .

4,754,378 6/1988 Chen .

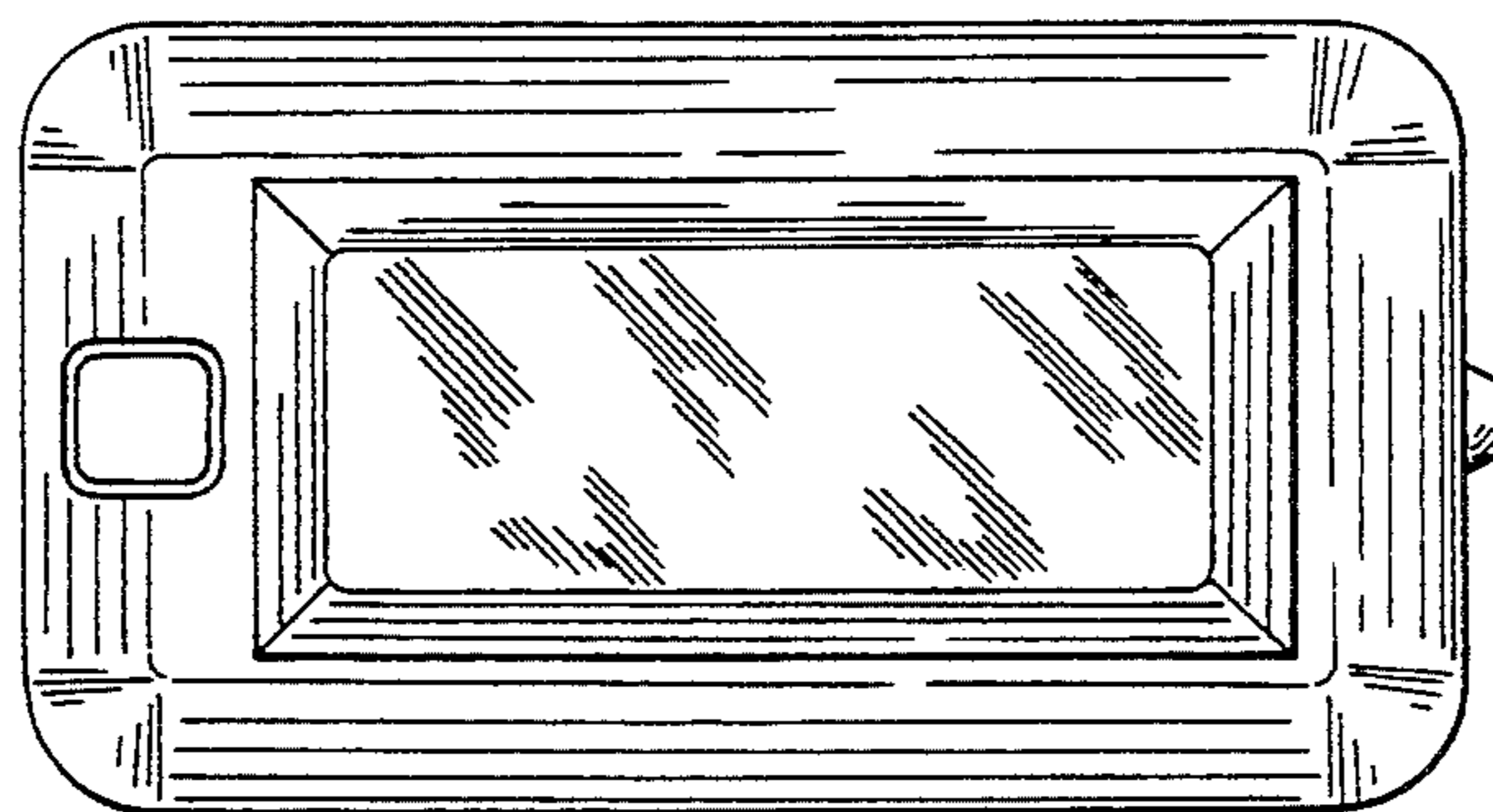
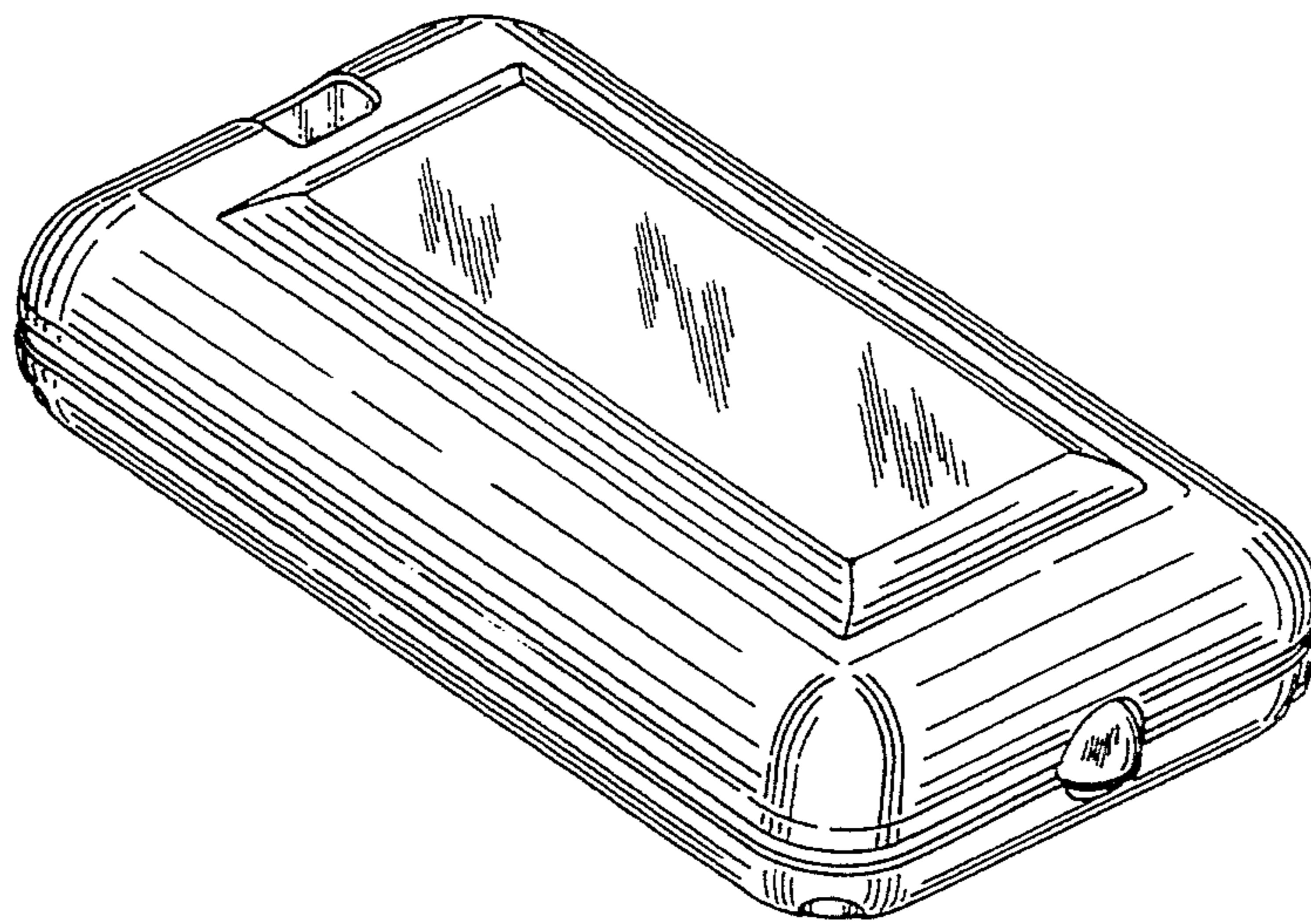
*Primary Examiner*—Susan J. Lucas  
*Attorney, Agent, or Firm*—Lee, Mann, Smith,  
McWilliams, Sweeney & Ohlson

### [57] CLAIM

The ornamental design for a flat flashlight, as shown and described.

### DESCRIPTION

FIG. 1 is a perspective view of the flat flashlight embodying the invention;  
 FIG. 2 is a top view thereof;  
 FIG. 3 is a side view thereof (the other side being a mirror image);  
 FIG. 4 is a front view thereof;  
 FIG. 5 is a rear view thereof;  
 FIG. 6 is a bottom view thereof;  
 FIG. 7 is a perspective view of a modified embodiment of the flat flashlight; and,  
 FIG. 8 is a side view of the flat flashlight shown in FIG. 7 (the other side being a mirror image).  
 The fundamental design of the flat flashlight of the invention is shown in FIGS. 1-6.  
 The design shown in FIGS. 7 and 8 is a variant showing an alternate shape of the top the flashlight and is otherwise identical to the design shown in FIG. 1-6.



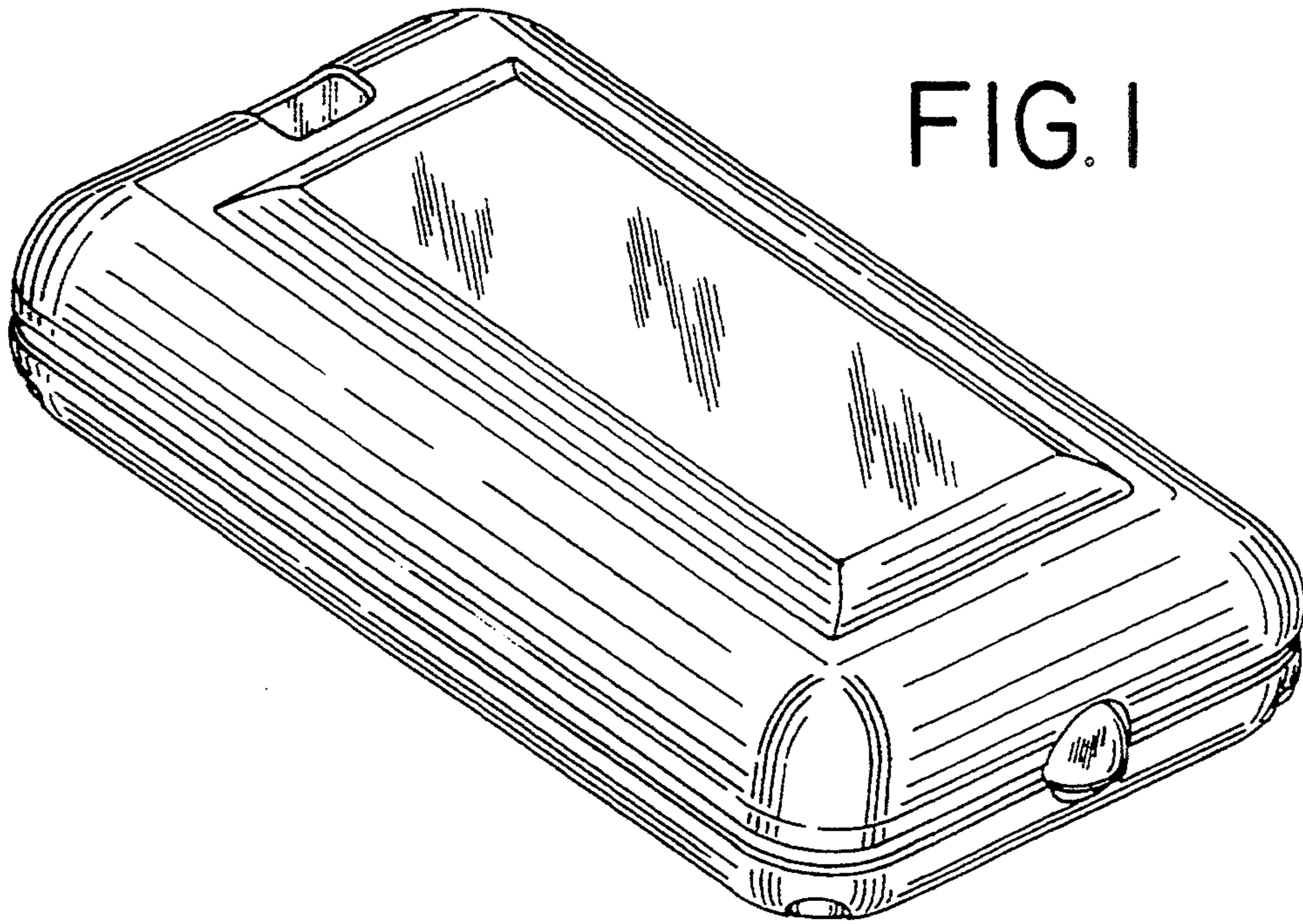


FIG. 2

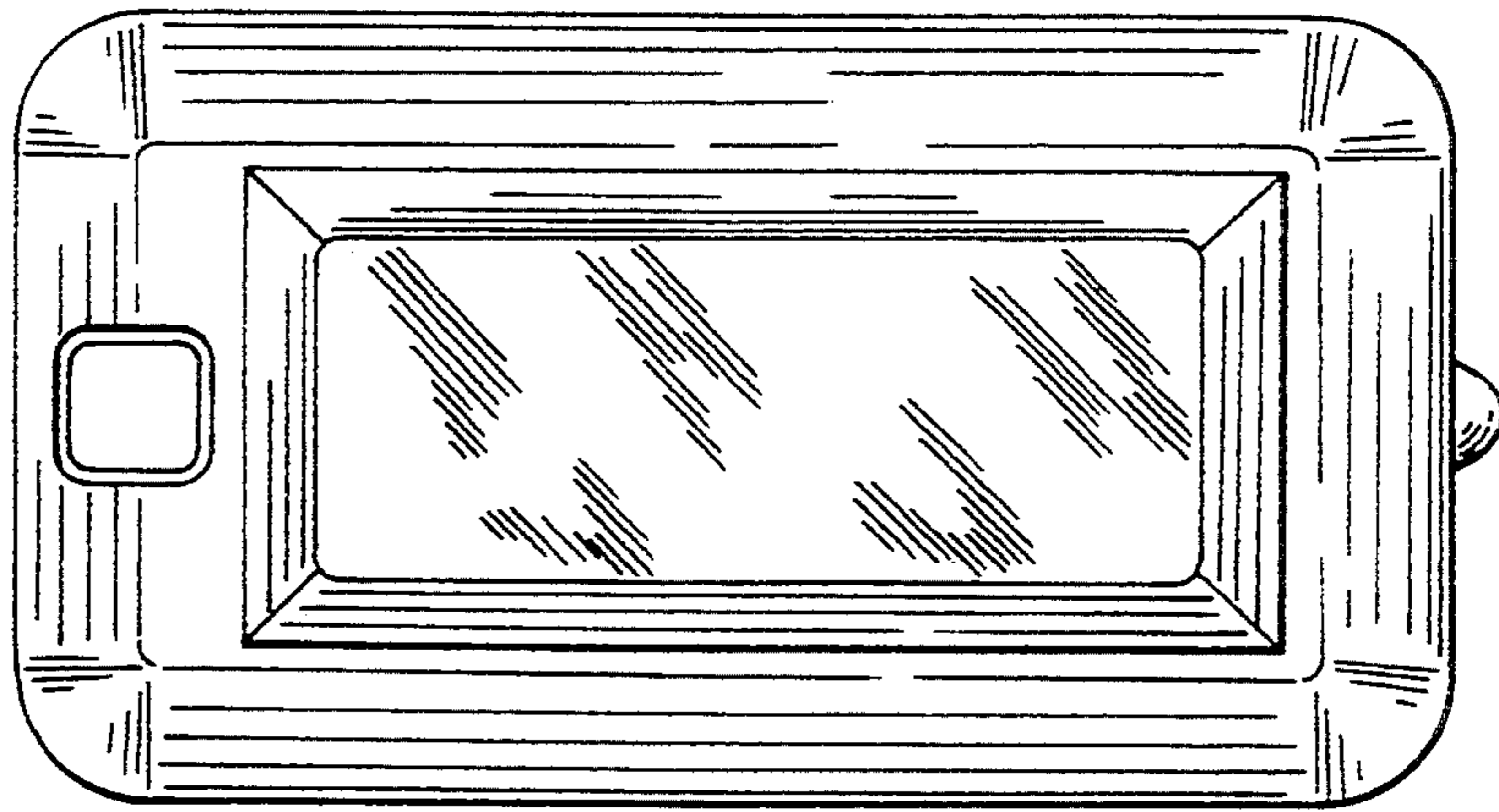


FIG. 3

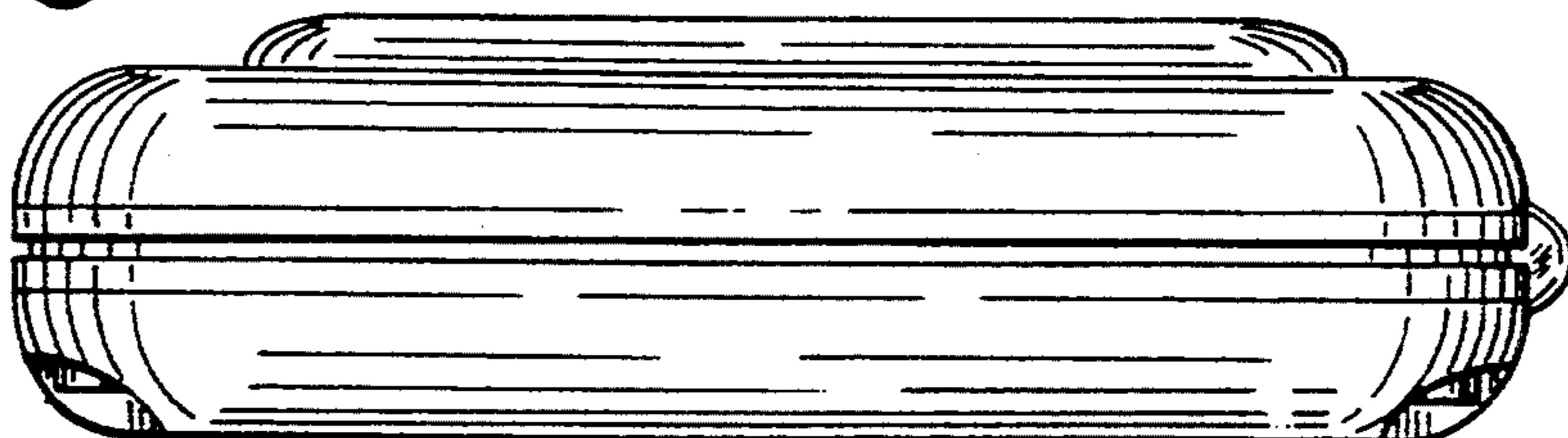




FIG. 4

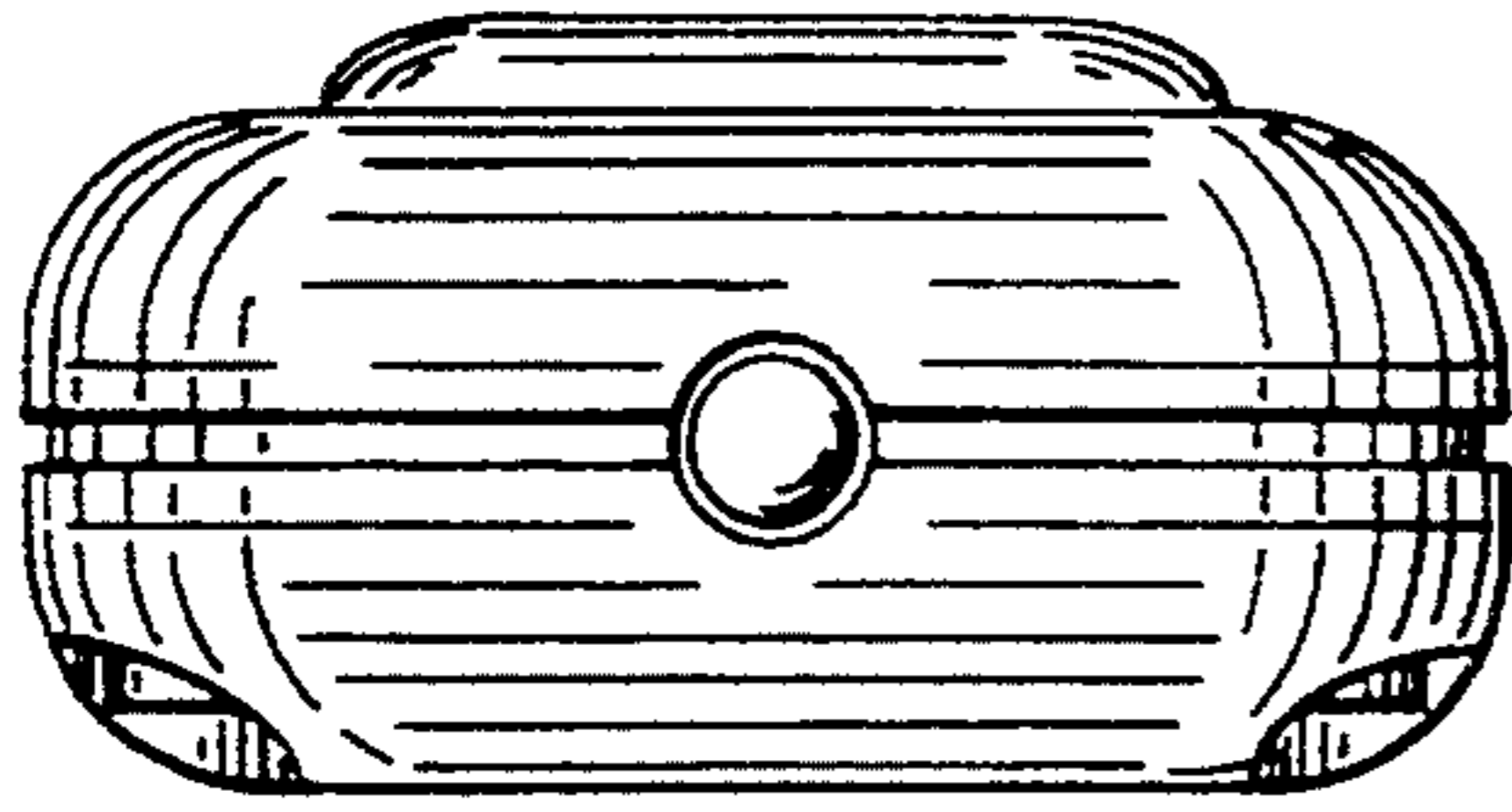


FIG. 5

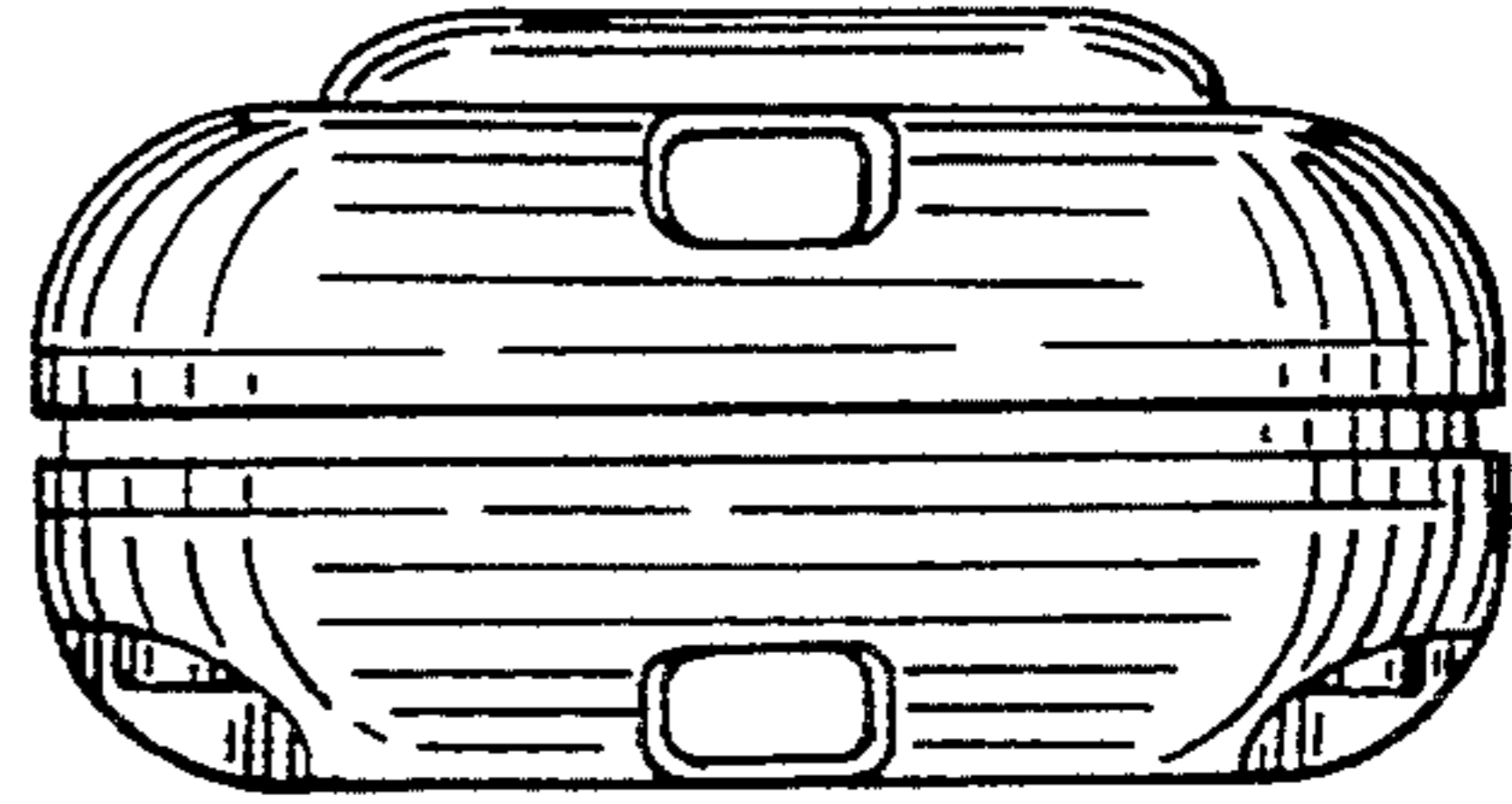


FIG. 6

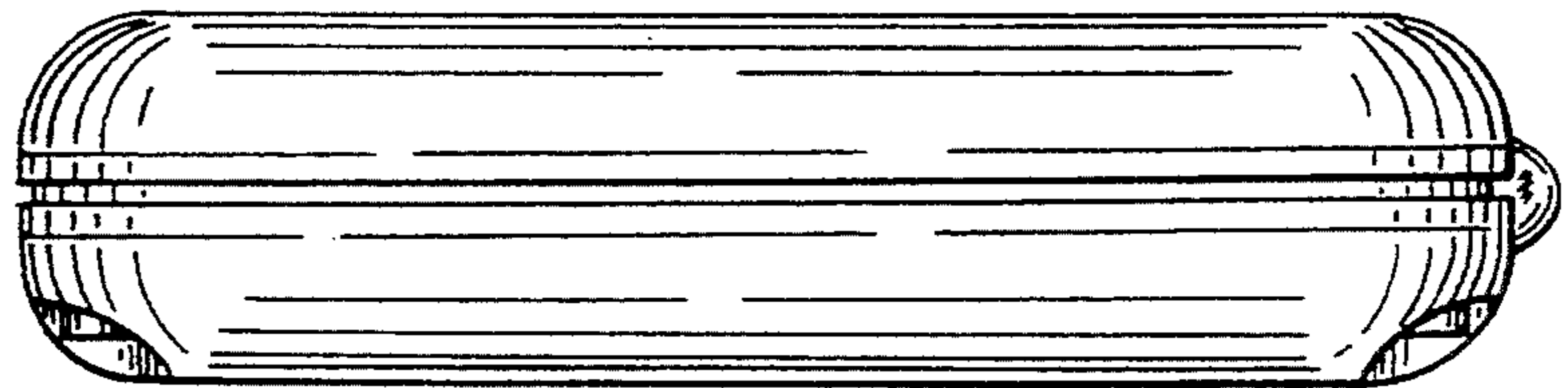
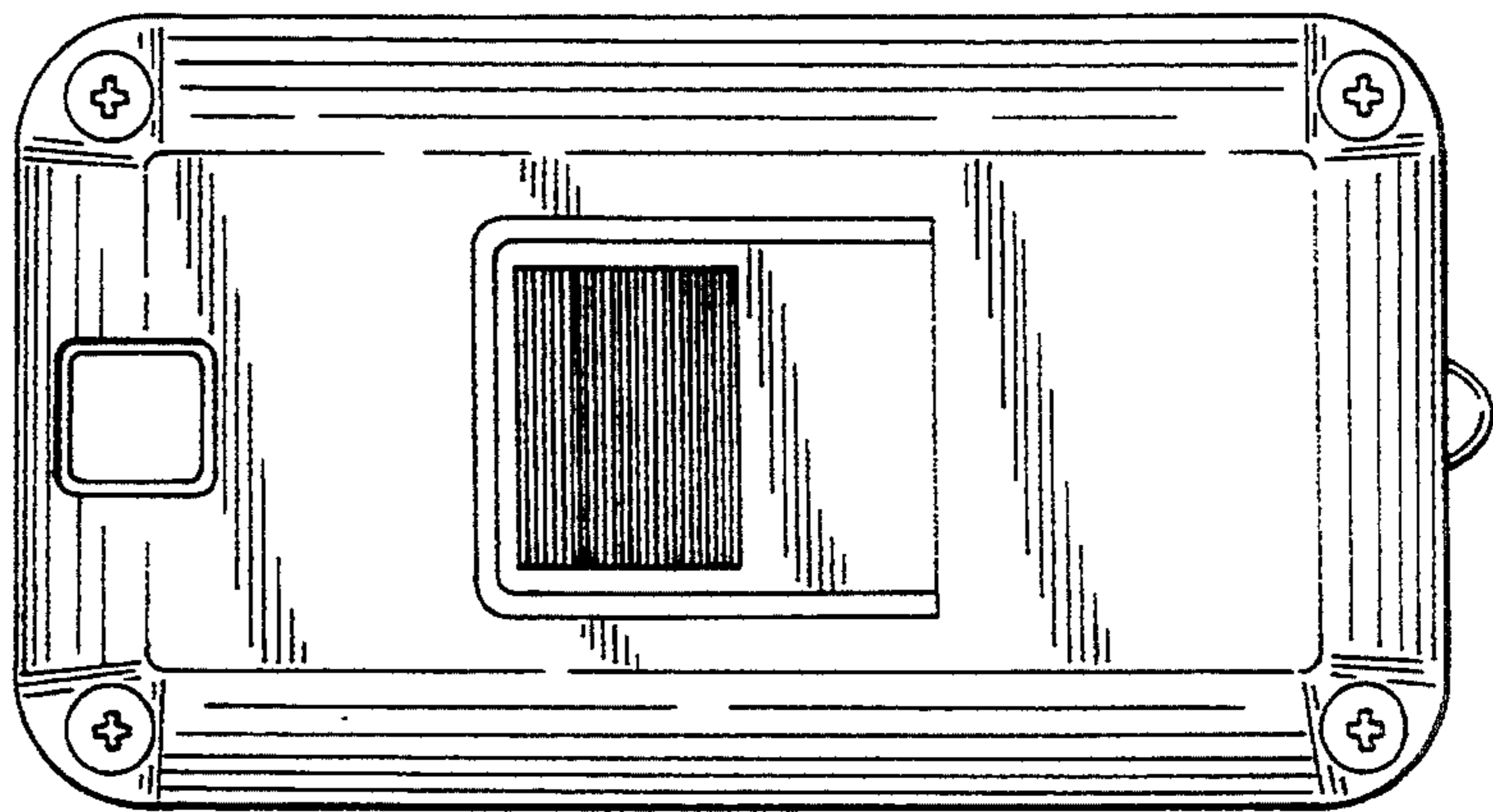


FIG. 8

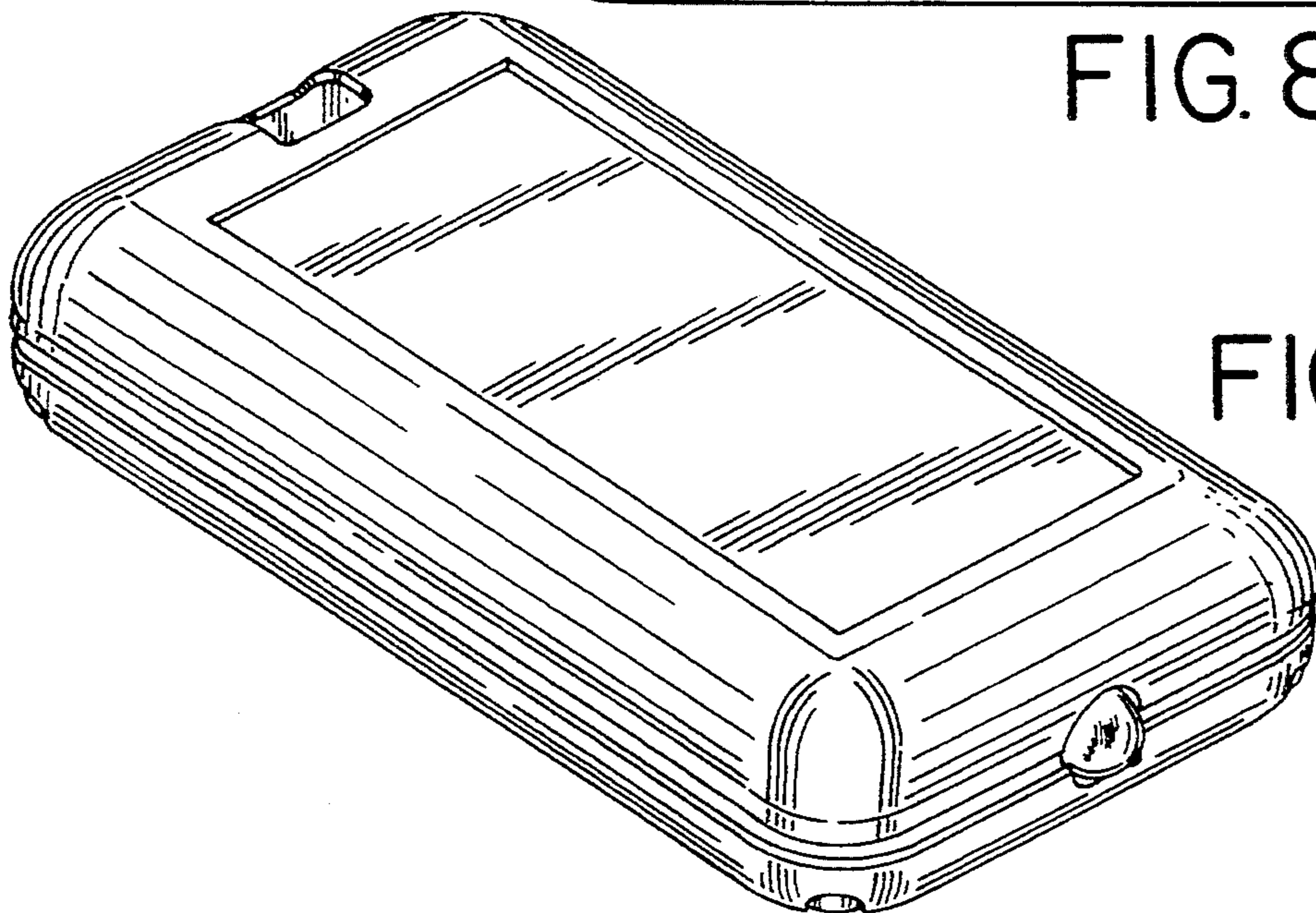


FIG. 7