



US00D361630S

United States Patent [19]

[11] Patent Number: **Des. 361,630**

Guernsey

[45] Date of Patent: **** Aug. 22, 1995**

[54] WINDOW WELL COVER

[76] Inventor: **Michael L. Guernsey**, 6780 Union St.,
Arvada, Colo. 80004

[**] Term: **14 Years**

[21] Appl. No.: **17,599**

[22] Filed: **Jan. 18, 1994**

[52] U.S. Cl. **D25/54; D25/152**

[58] Field of Search **D25/53, 54, 152, 155,**
D25/156, 36; 52/107

1,773,641 8/1930 Rar et al. D25/53
 3,703,791 11/1972 Slade 52/107
 4,330,500 5/1982 Mackes 264/554
 4,896,467 1/1990 McGinnis 52/107
 4,903,455 2/1990 Veazey 52/822

Primary Examiner—Doris Clark
Attorney, Agent, or Firm—William E. Hein

[57] CLAIM

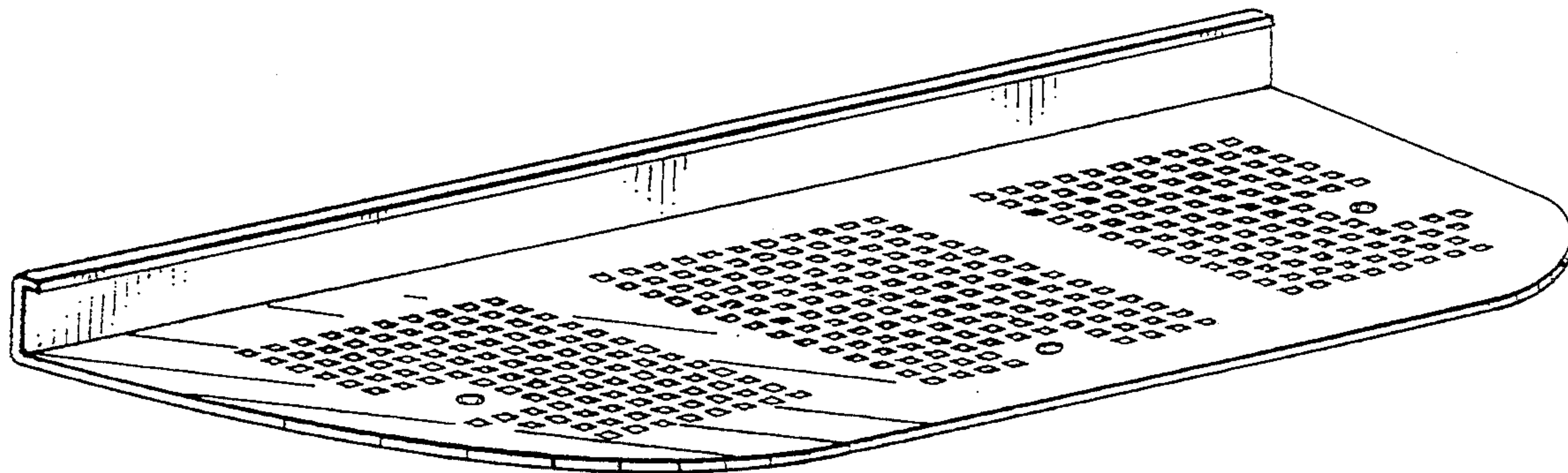
The ornamental design for a window well cover, as shown and described.

DESCRIPTION

FIG. 1 is a front perspective view of a window well cover, showing my new design;
 FIG. 2 is a top plan view;
 FIG. 3 is a front elevation view; and,
 FIG. 4 is a right side elevation view, the left side elevation being a mirror image thereof.

[56] **References Cited**
U.S. PATENT DOCUMENTS

D. 262,492 12/1981 Mackes D25/54
 D. 265,591 7/1982 Kearnes D25/54
 D. 275,894 10/1984 Sikorski D25/54



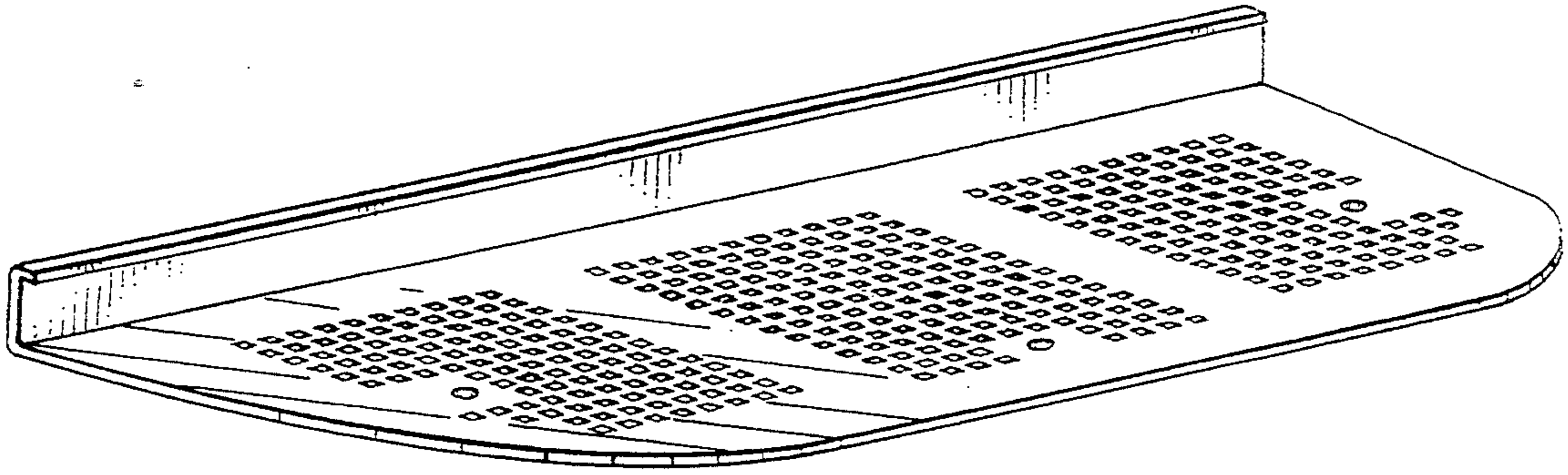


FIG. 1

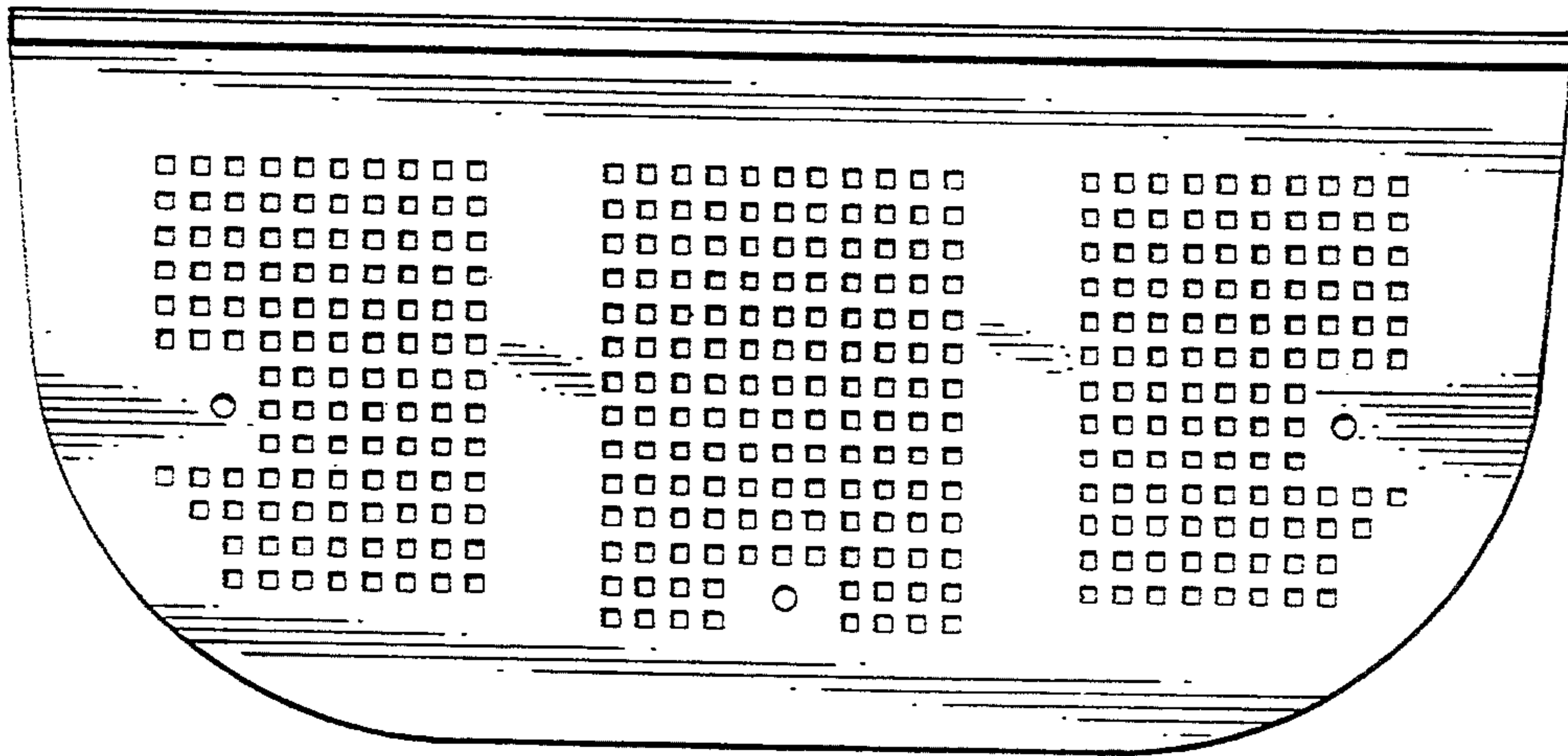


FIG. 2

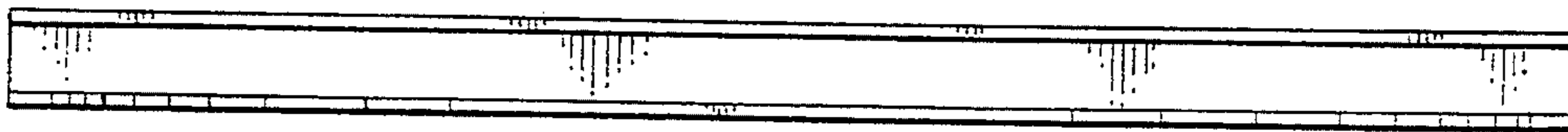


FIG. 3



FIG. 4