



US00D361629S

United States Patent [19]

[11] Patent Number: **Des. 361,629**

Tweedt

[45] Date of Patent: **** Aug. 22, 1995**

[54] **SCREEN DOOR**

[75] Inventor: **Robert C. Tweedt**, Ankeny, Iowa

[73] Assignee: **Emco Enterprises, Inc.**, Des Moines, Iowa

[**] Term: **14 Years**

[21] Appl. No.: **26,848**

[22] Filed: **Aug. 8, 1994**

[52] U.S. Cl. **D25/48; D25/53**

[58] Field of Search **D25/48, 53; 160/237, 160/264, DIG. 7, 263, 90, 238, 91, 89, 87**

[56] **References Cited**

U.S. PATENT DOCUMENTS

D. 207,396	4/1967	Weikel et al.	D25/53
D. 300,364	3/1989	Riegelman	D25/48
	971,501	12/1875 Carter	160/87
	4,838,332	6/1989 Mienek	160/90

Primary Examiner—Doris Clark

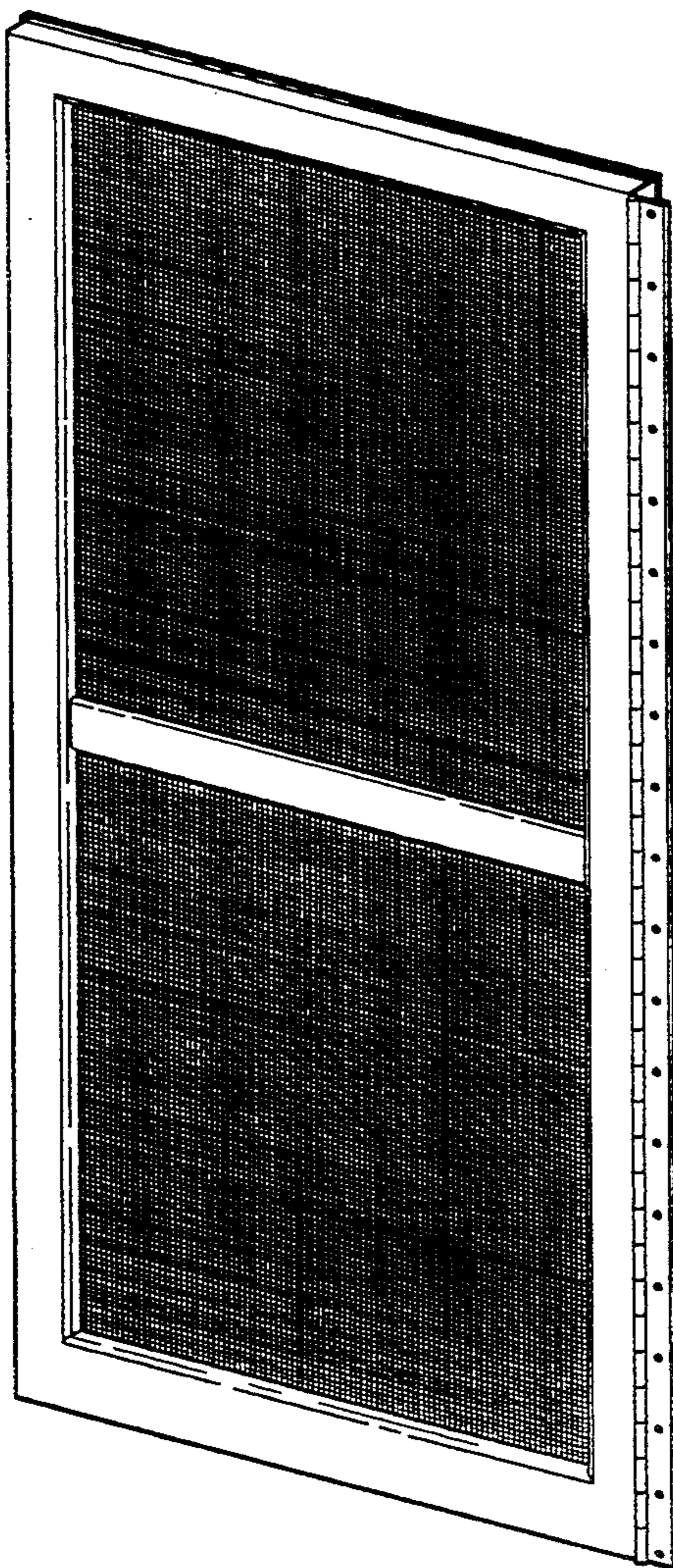
Attorney, Agent, or Firm—Zarley, McKee, Thomte, Voorhees & Sease

[57] **CLAIM**

The ornamental design for a screen door, as shown and described.

DESCRIPTION

FIG. 1 is a perspective view of a design for a screen door;
 FIG. 2 is a front elevational view thereof;
 FIG. 3 is a rear elevational view thereof;
 FIG. 4 is a top plan view thereof;
 FIG. 5 is a bottom plan view thereof;
 FIG. 6 is a sectional view taken along line 6—6 of FIG. 2;
 FIG. 7 is an enlarged detailed perspective view taken along line 7—7 of FIG. 1;
 FIG. 8 is an enlarged perspective view taken along line 8—8 of FIG. 1; and,
 FIG. 9 is an enlarged perspective view taken along line 9—9 of FIG. 1.



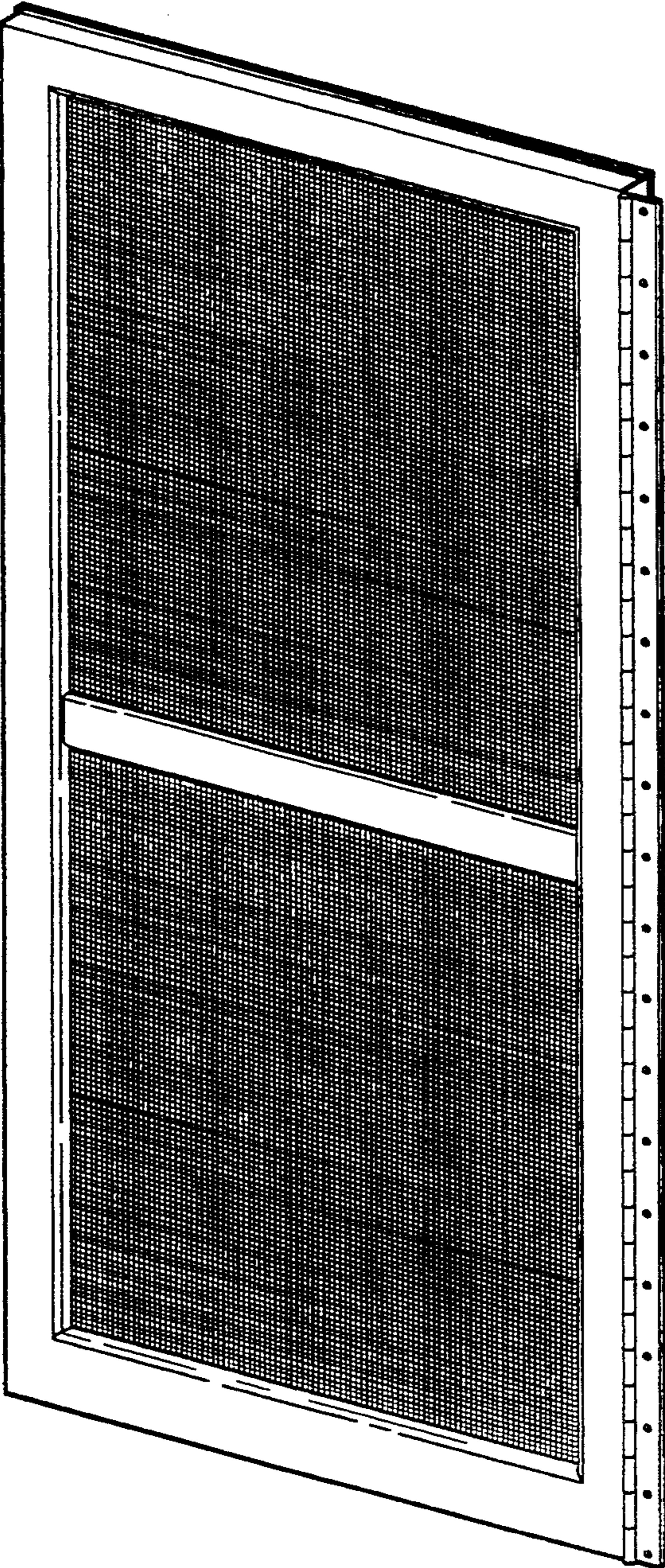


Fig. 1

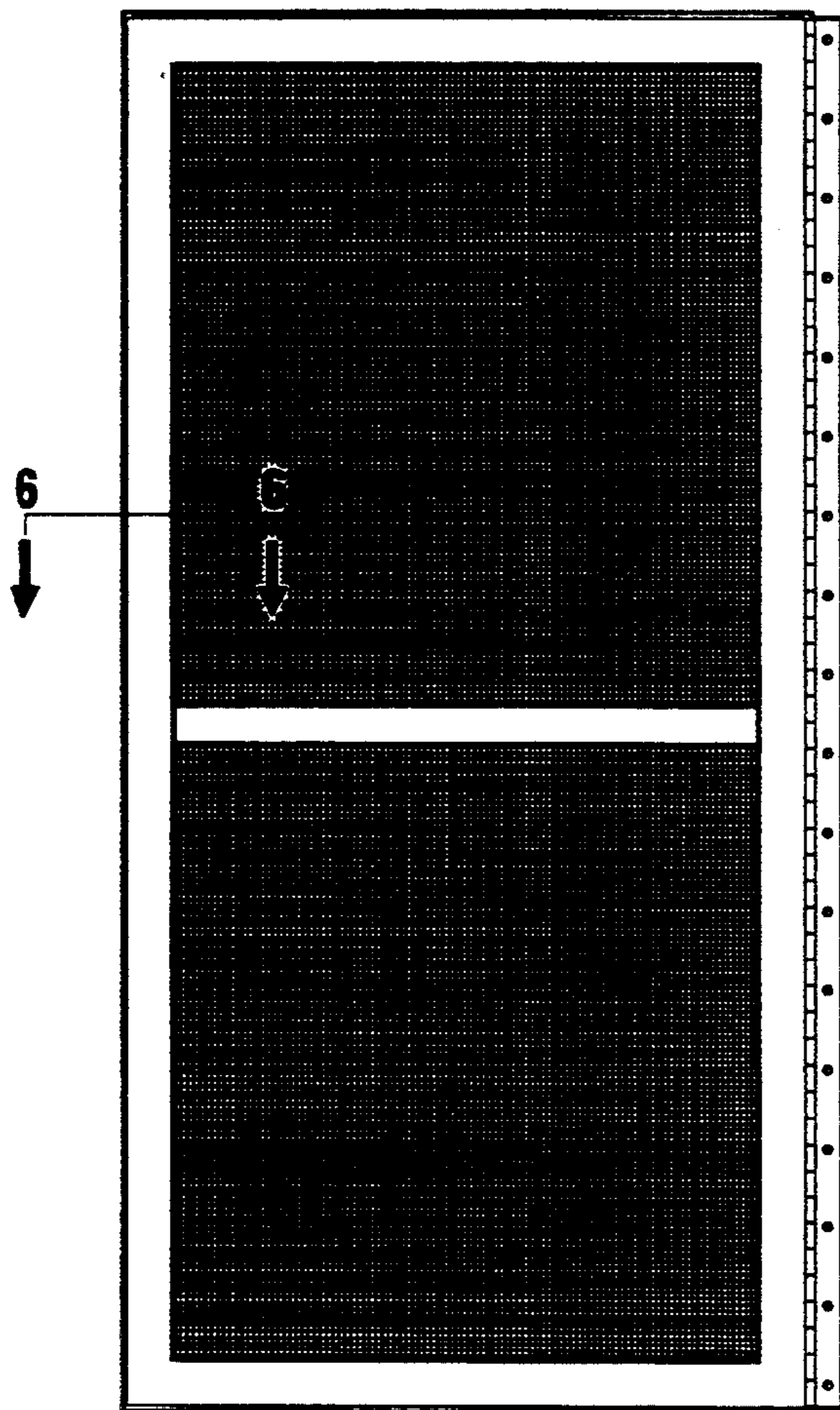


Fig. 2

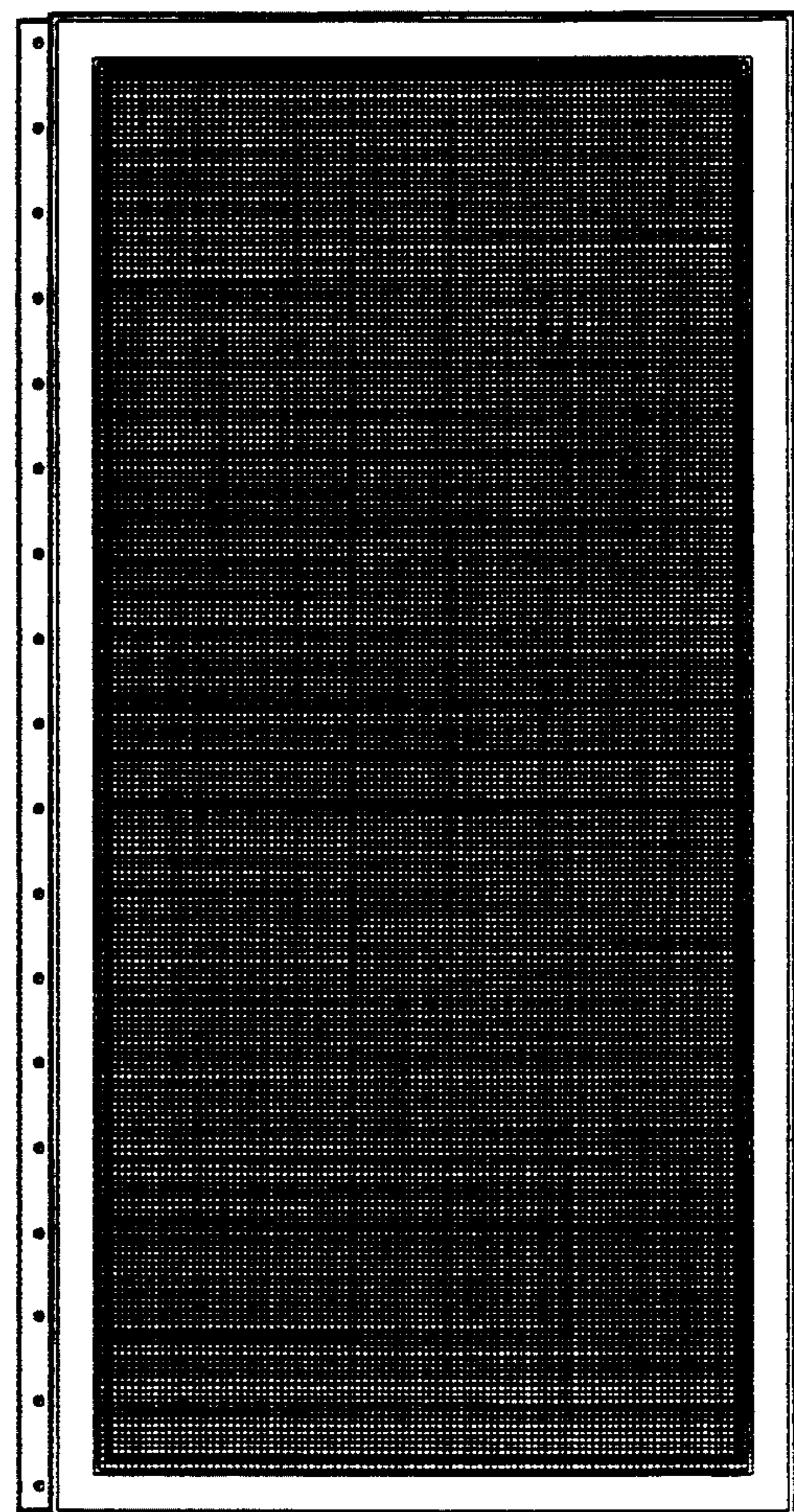


Fig. 3



Fig. 4

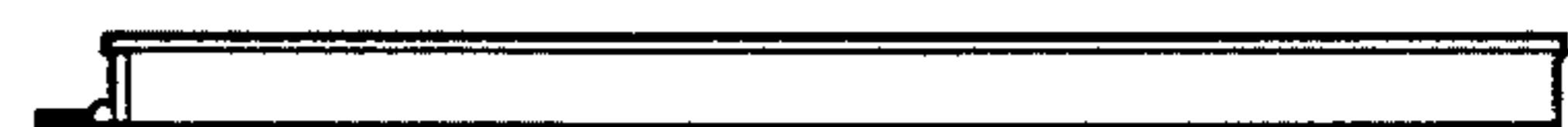


Fig. 5

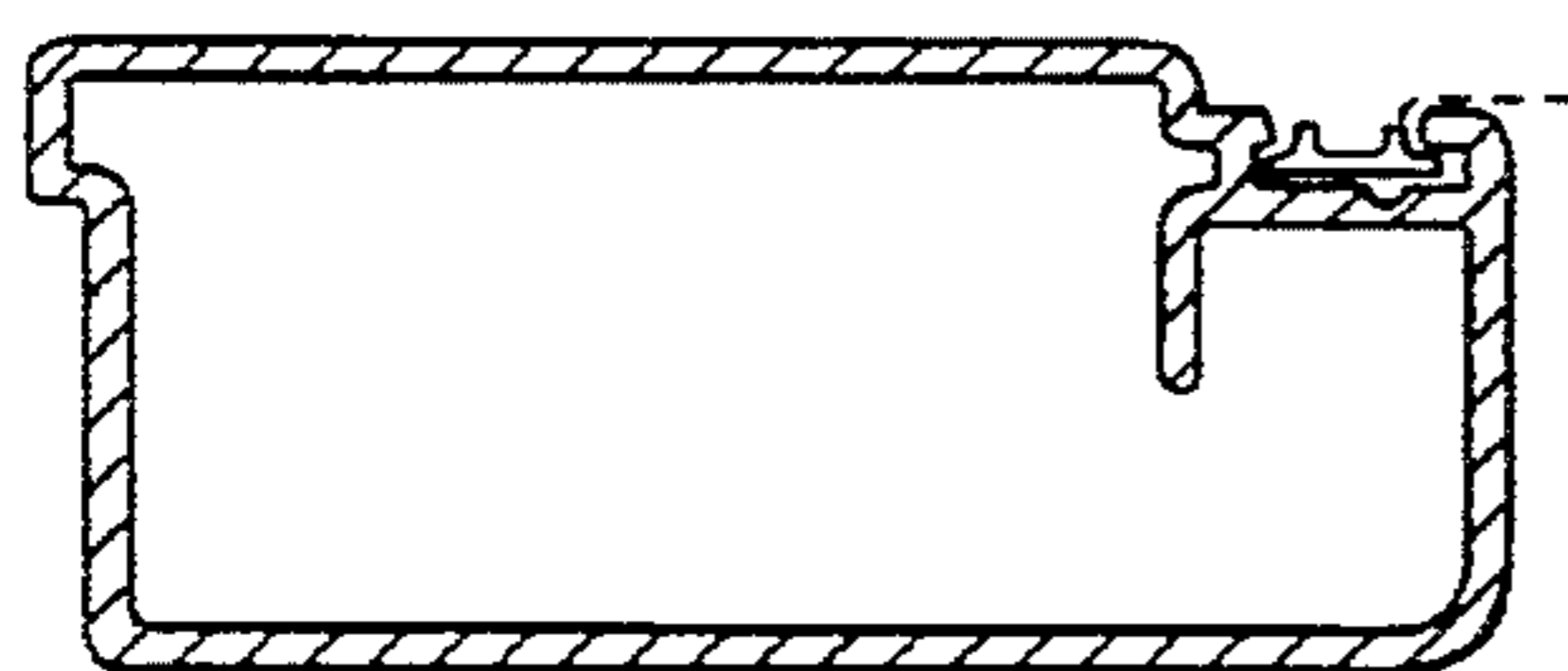


Fig. 6

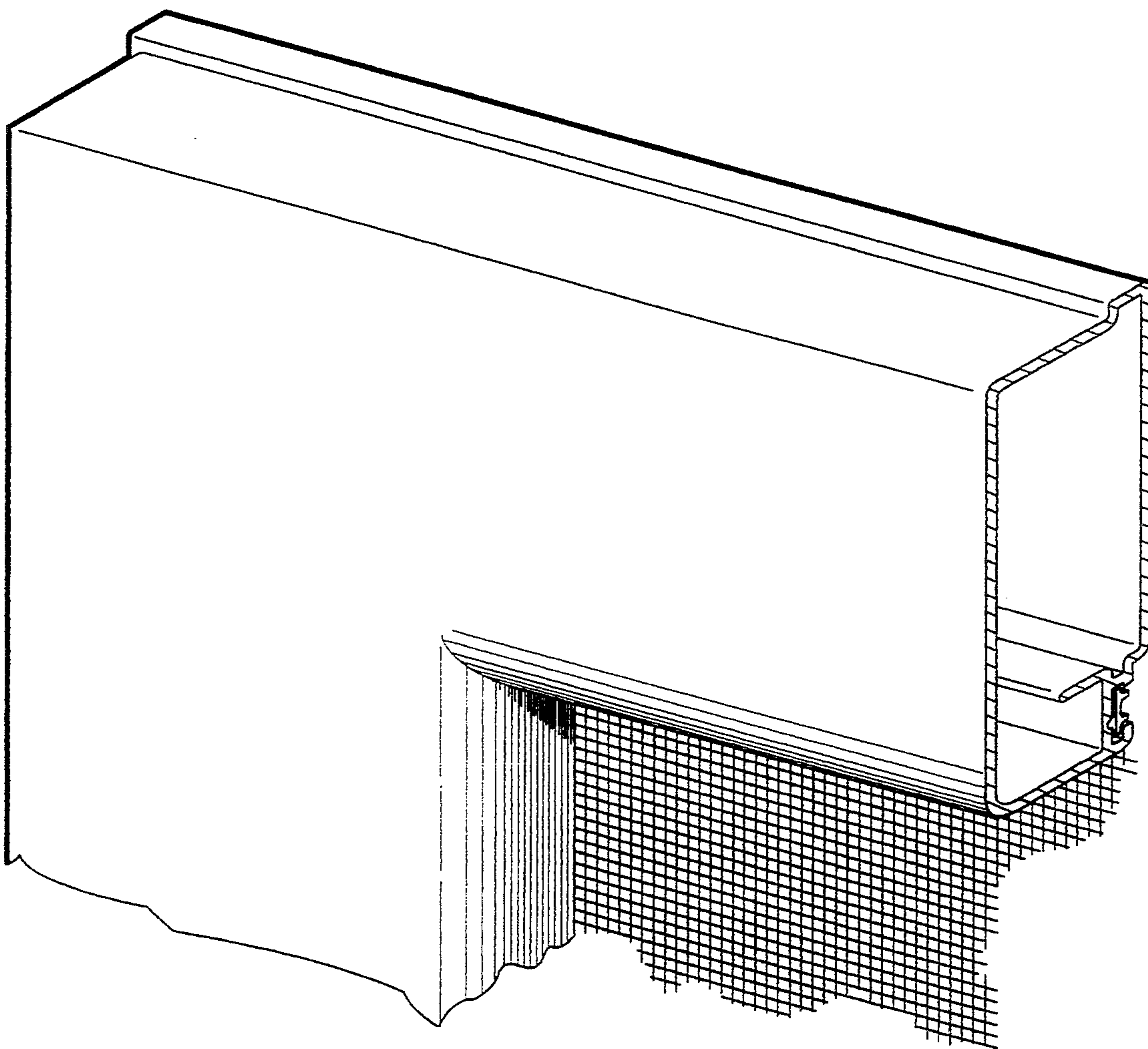


Fig.7

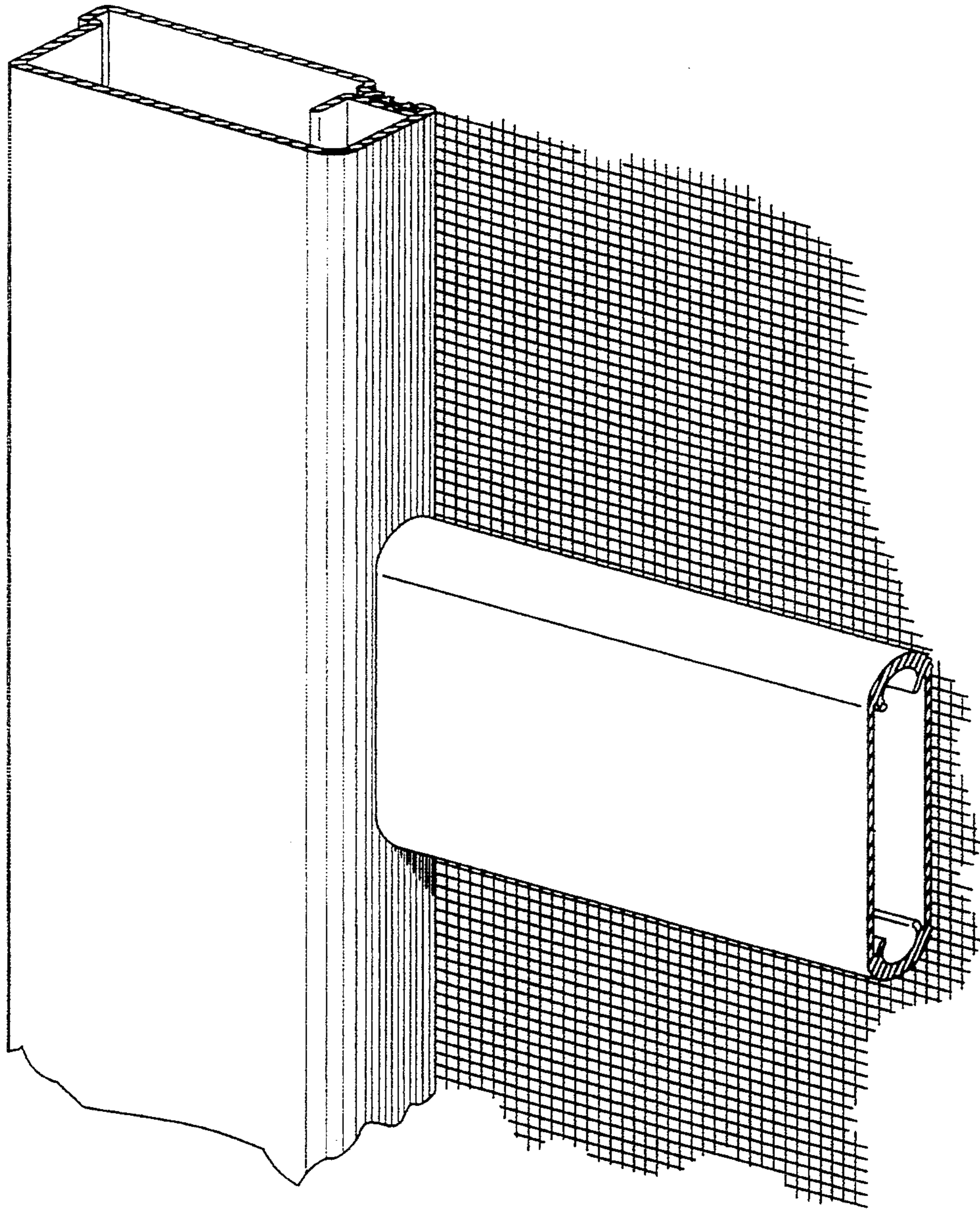


Fig.8

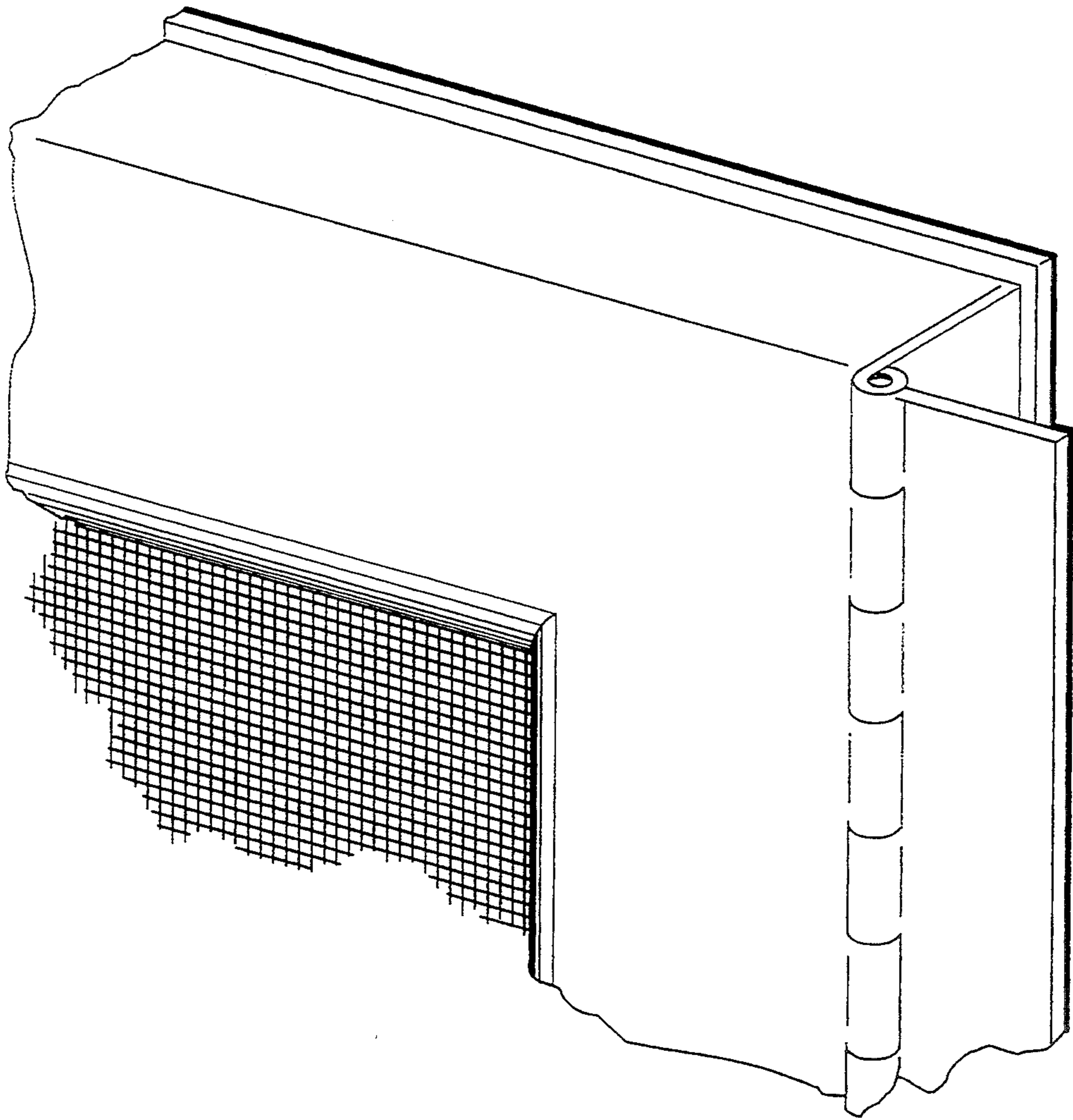


Fig.9