



US00D361626S

United States Patent [19]
Brown

[11] **Patent Number: Des. 361,626**

[45] **Date of Patent: ** Aug. 22, 1995**

[54] **VAGINAL MIRROR**

[76] Inventor: **Janice M. Brown**, 1802 Slater Ave.,
Fayetteville, N.C. 28301

[**] Term: **14 Years**

[21] Appl. No.: **24,239**

[22] Filed: **Jun. 10, 1994**

[52] U.S. Cl. **D23/309; D6/300**

[58] Field of Search **D23/303, 309;**
4/234-240; 359/872; 362/224, 226, 139;
D6/300, 309, 312

[56] **References Cited**

U.S. PATENT DOCUMENTS

3,989,359 11/1976 Shutt 359/872
4,623,955 11/1986 Sautini 362/139 X

Primary Examiner—Stella Reid

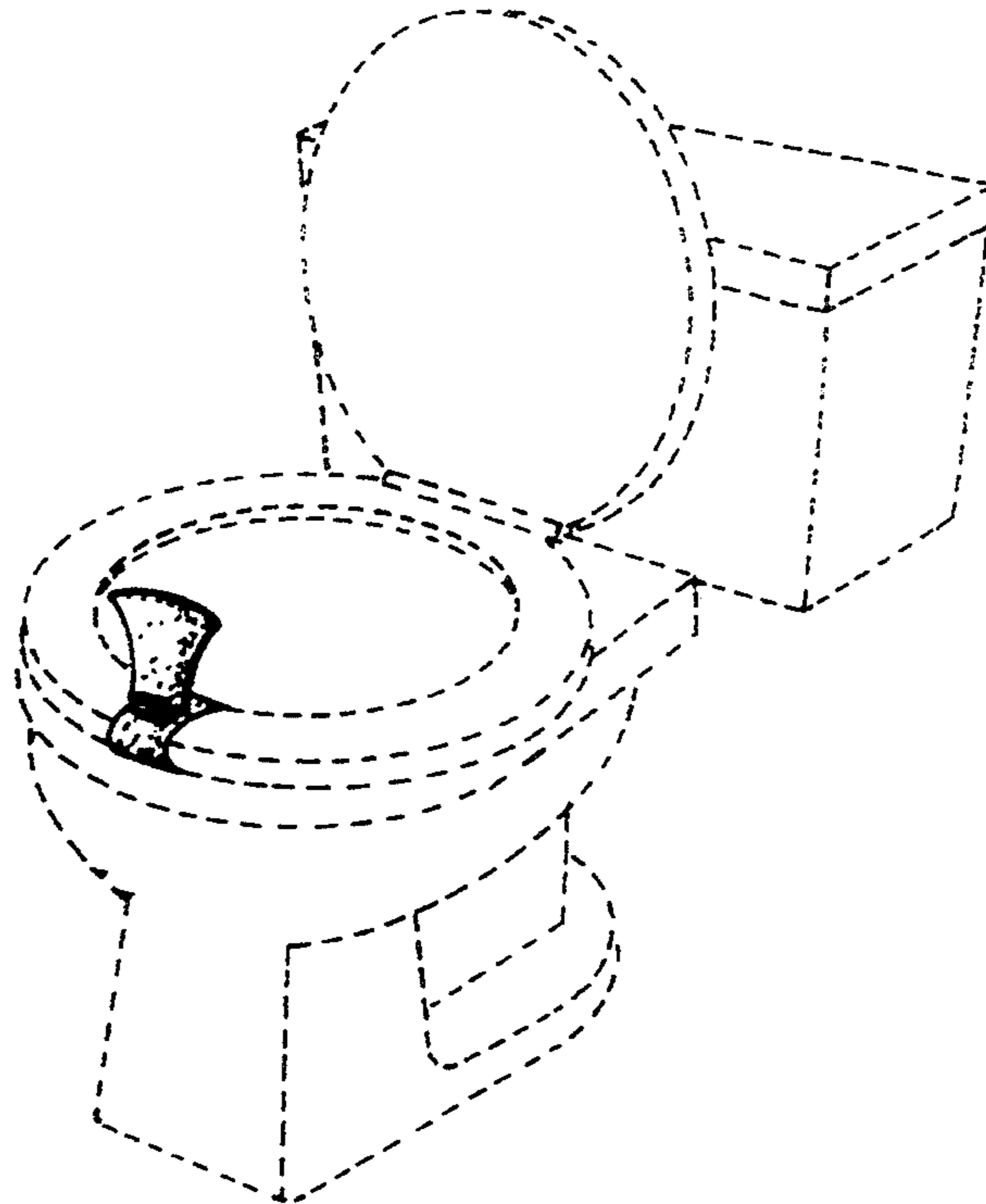
Assistant Examiner—Eric Watterson
Attorney, Agent, or Firm—John G. Mills

[57] **CLAIM**

The ornamental design for a vaginal mirror, as shown and described.

DESCRIPTION

FIG. 1 is a perspective view of the rear of the vaginal mirror showing my new design;
FIG. 2 is a front elevational view thereof;
FIG. 3 is a top plan view thereof;
FIG. 4 is a right side elevational view thereof, the left side being a mirror image thereof;
FIG. 5 is a rear elevational view thereof; and,
FIG. 6 is a bottom plan view thereof.
The broken lines shown in FIG. 1 are for illustrative purposes only to show environmental structure and form no part of the claimed design.



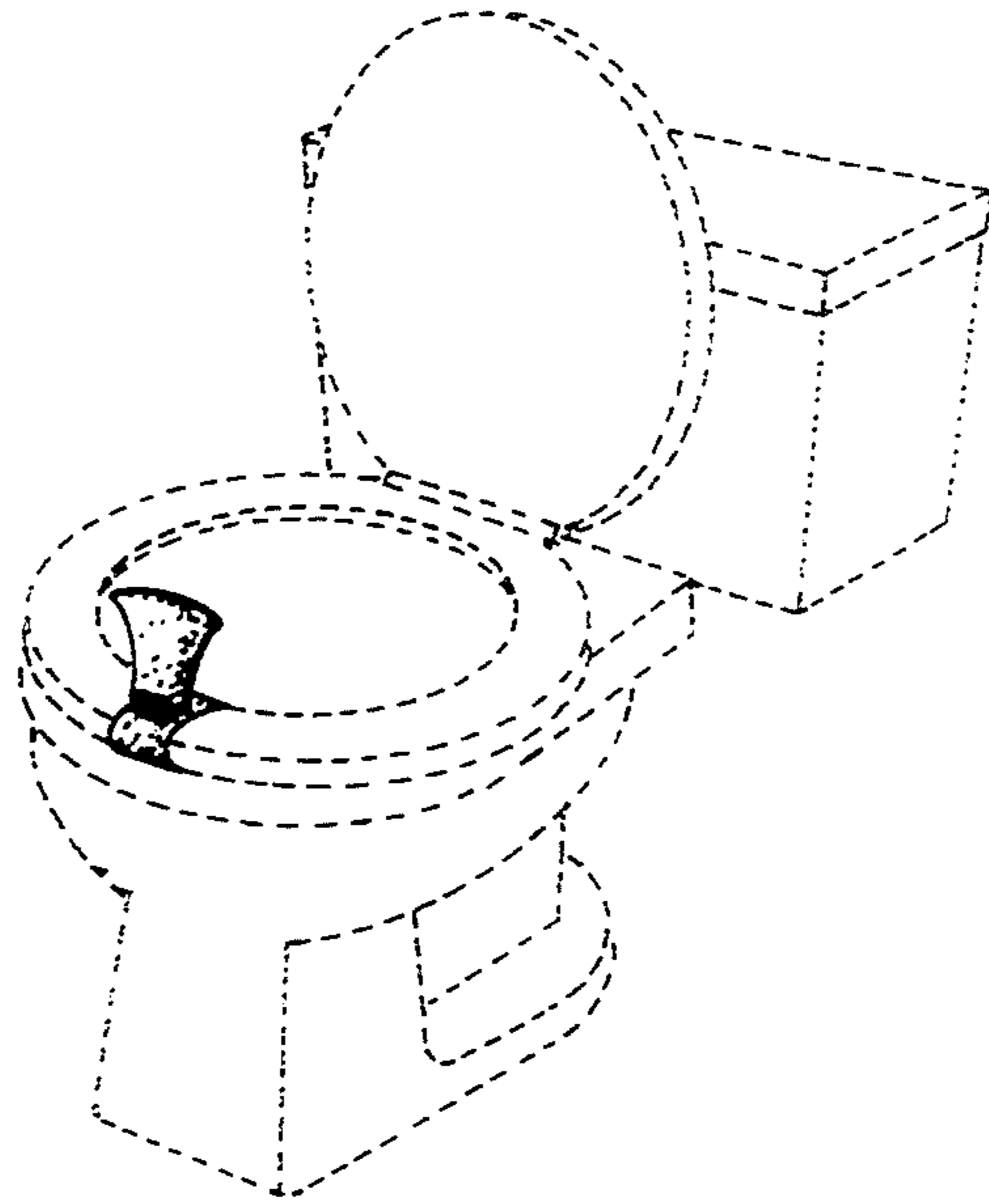


FIG. 1

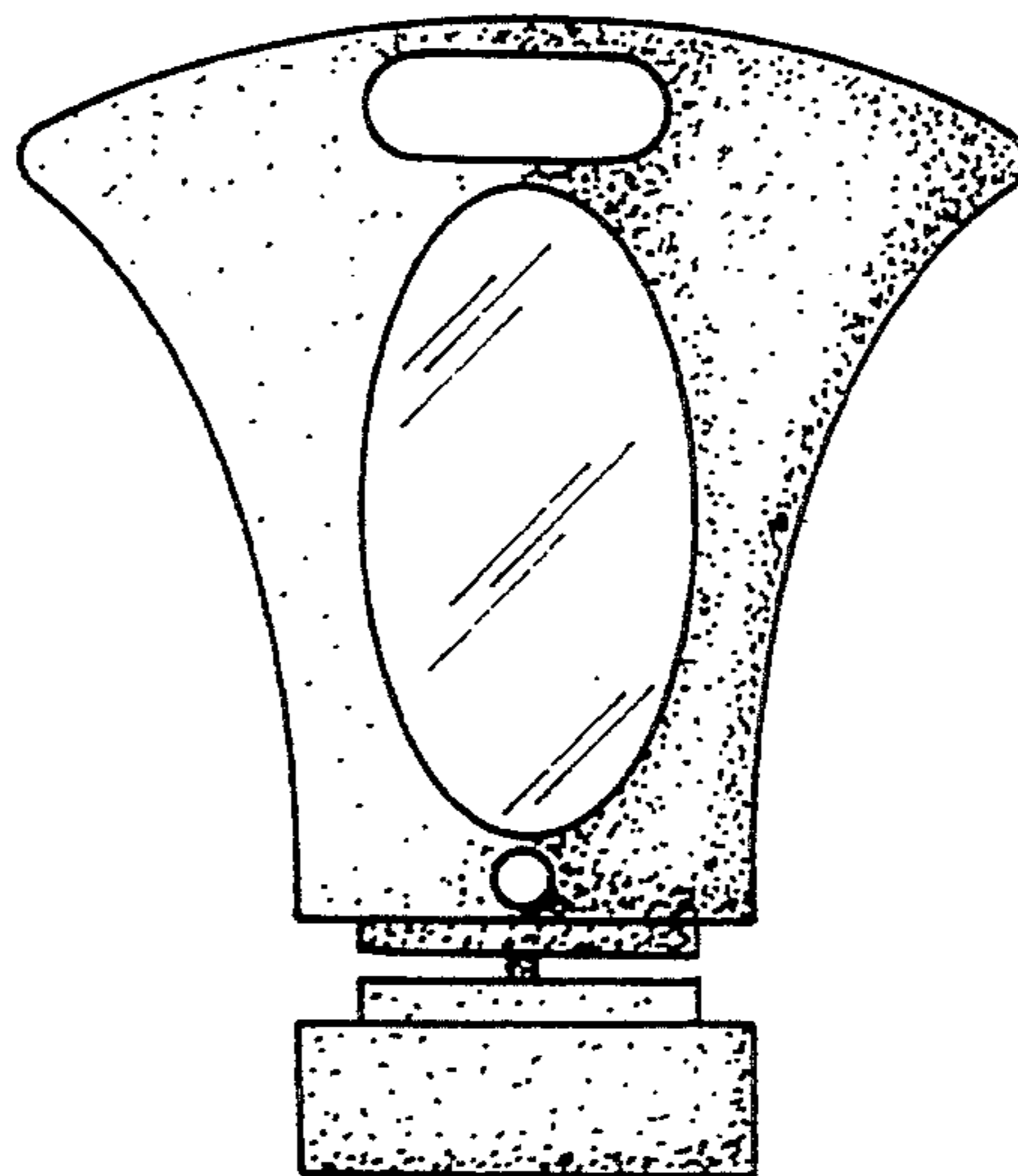


FIG. 2

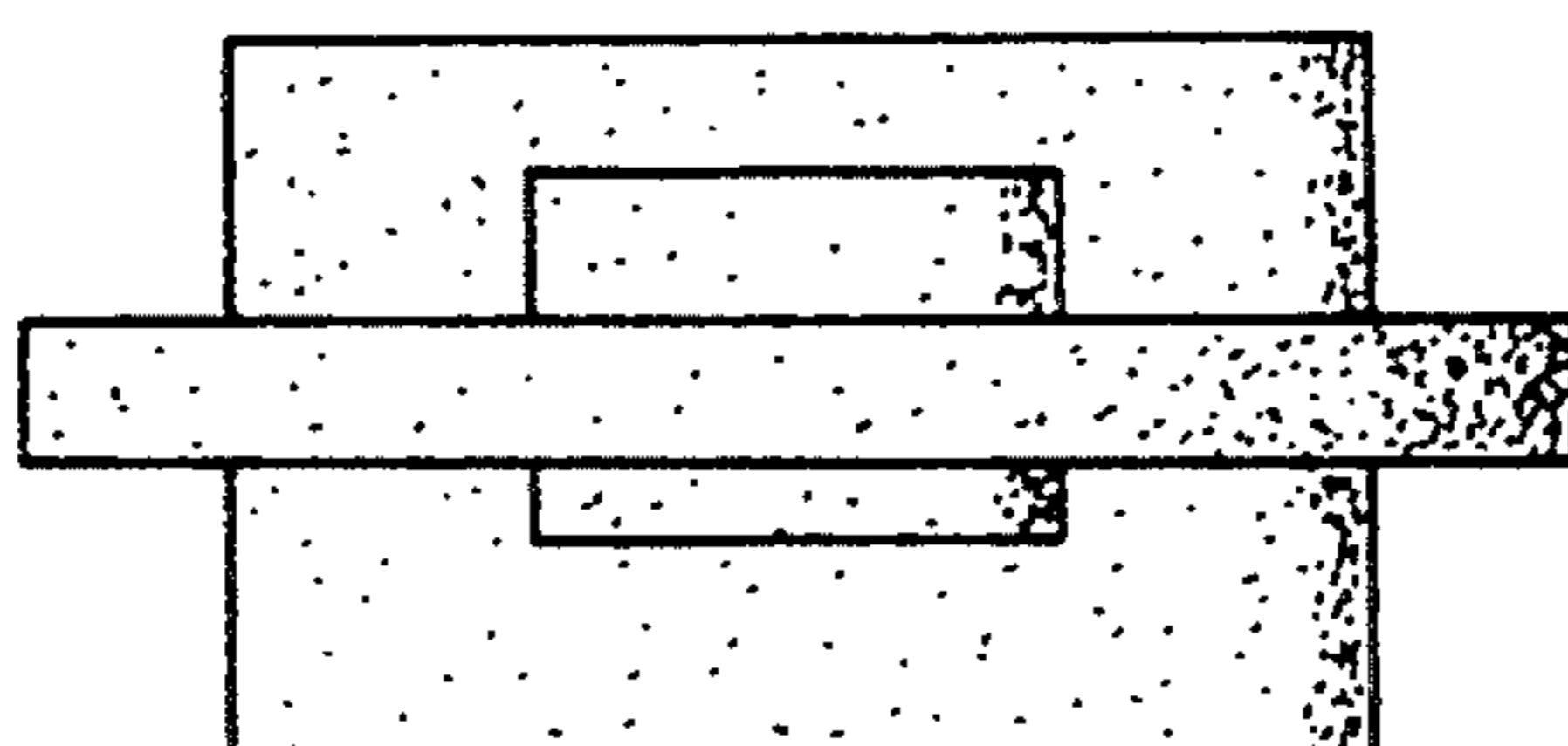


FIG. 3

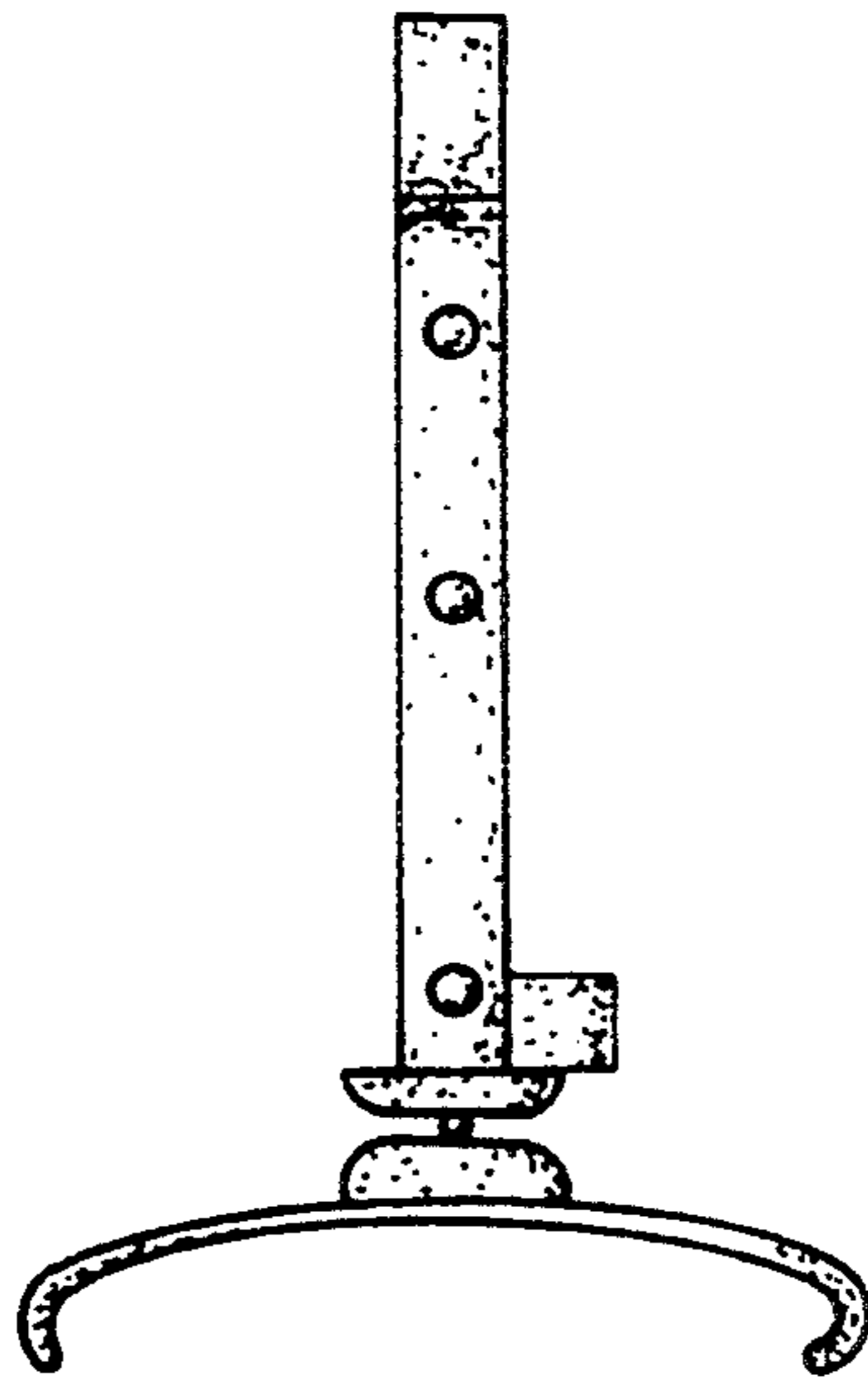


FIG. 4

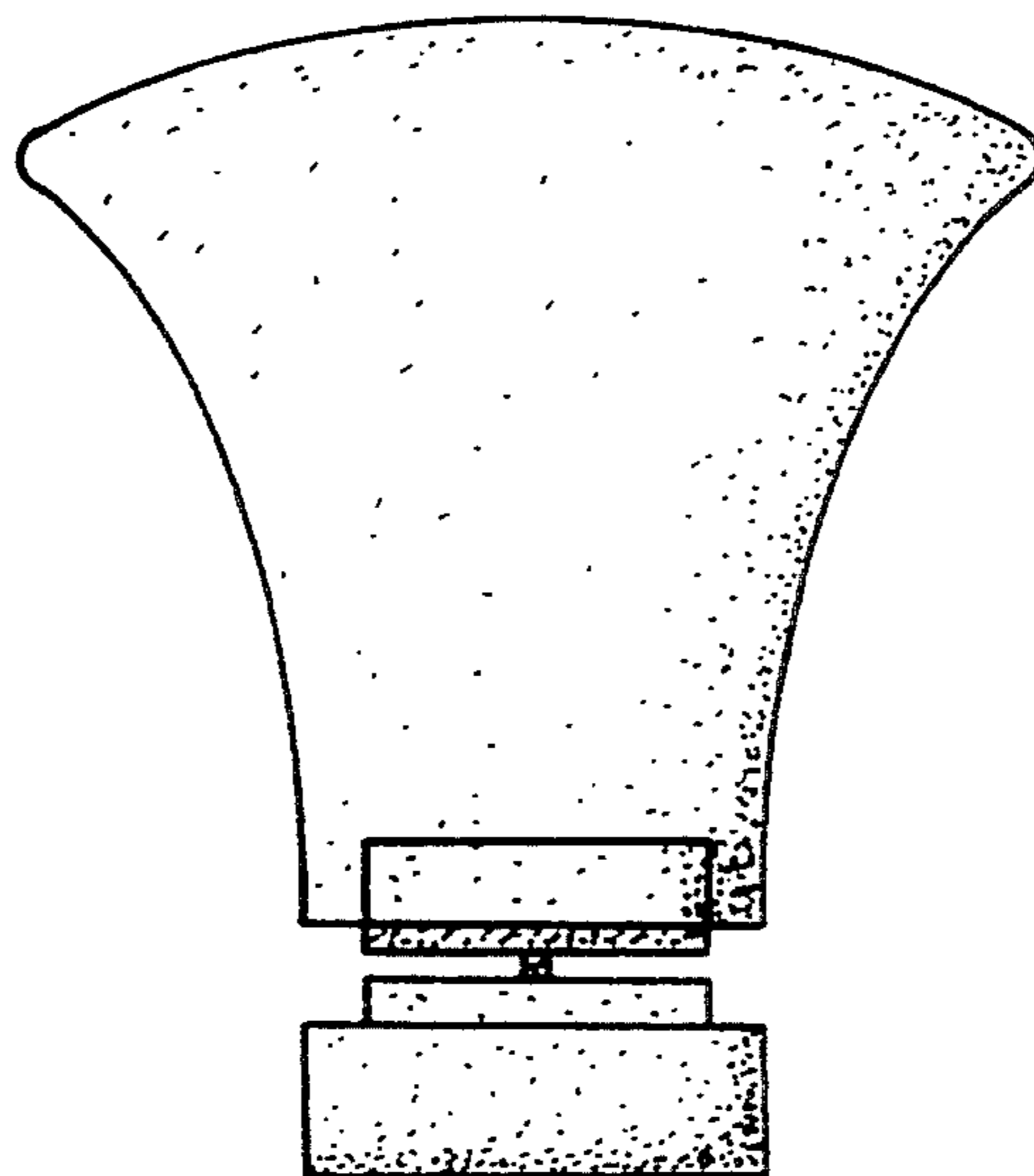


FIG. 5

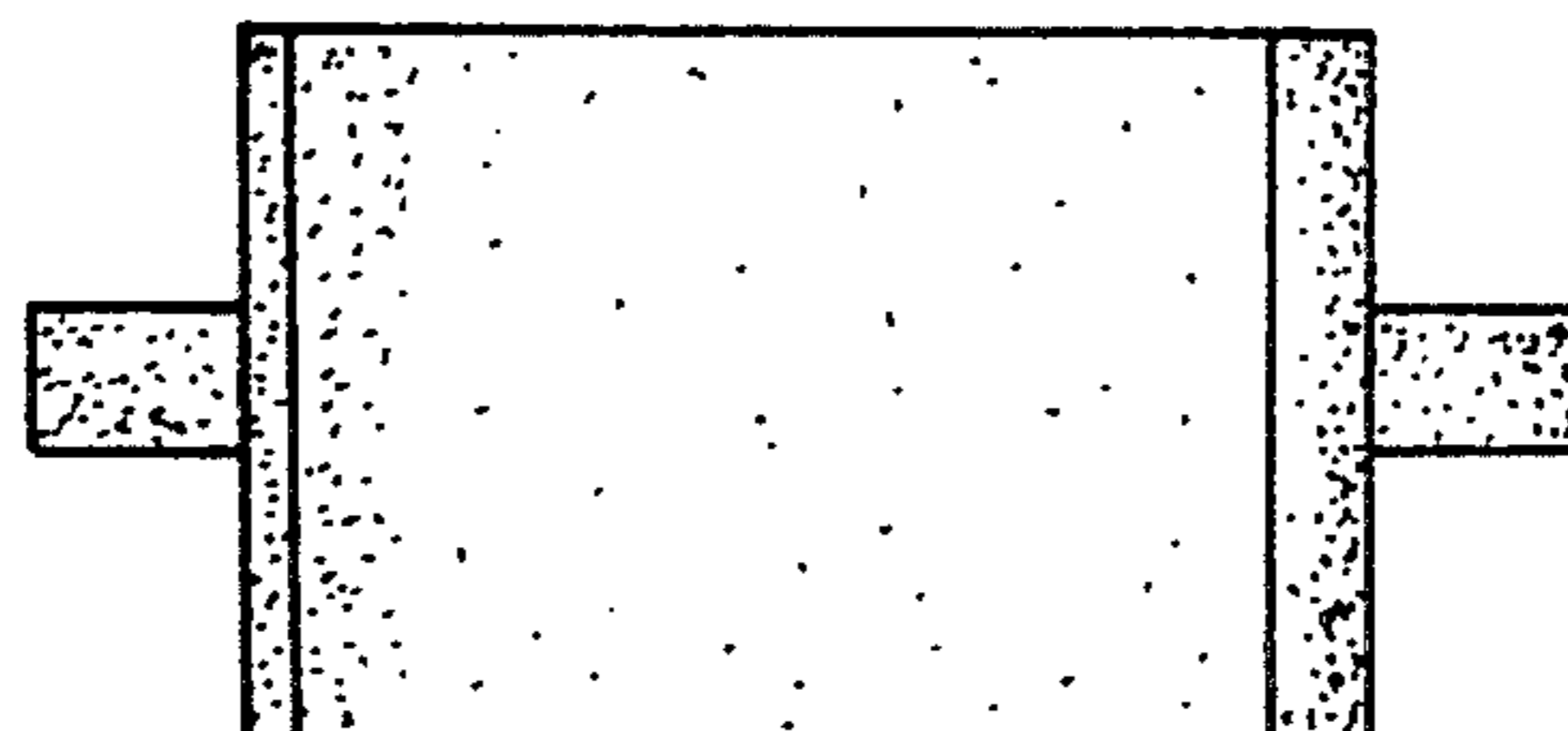


FIG. 6