



US00D361625S

# United States Patent [19]

Jacobs

[11] Patent Number: **Des. 361,625**

[45] Date of Patent: **\*\* Aug. 22, 1995**

[54] POTTY

[76] Inventor: **Sherry L. Jacobs**, 7155 E. 38th St., Tucson, Ariz. 85730

[\*\*] Term: **14 Years**

[21] Appl. No.: **22,438**

[22] Filed: **May 5, 1994**

[52] U.S. Cl. .... **D23/296**

[58] Field of Search ..... **D23/295-301, D23/309-313; 4/329-332, 420, 449, 452, 479, 483, 661, 902, 484**

3,691,980 9/1972 Shastal .  
4,509,215 4/1985 Paz .  
4,633,536 1/1987 Tribble-DuBose .  
4,777,680 10/1988 Paz .  
5,008,964 4/1991 Dean et al. .

*Primary Examiner*—Stella Reid  
*Assistant Examiner*—E. Watterson

### [57] CLAIM

The ornamental design for a potty, as shown and described.

### DESCRIPTION

FIG. 1 is a front elevational view of a potty showing my new design;  
FIG. 2 is a rear elevational view thereof;  
FIG. 3 is a left side elevational view thereof;  
FIG. 4 is a right side elevational view thereof;  
FIG. 5 is a top plan view thereof; and,  
FIG. 6 is a bottom plan view thereof.

### [56] References Cited

#### U.S. PATENT DOCUMENTS

D. 351,223 10/1994 Wise et al. .... D23/296  
588,304 8/1897 Weston ..... 4/483  
1,293,364 2/1919 Dick ..... 4/483

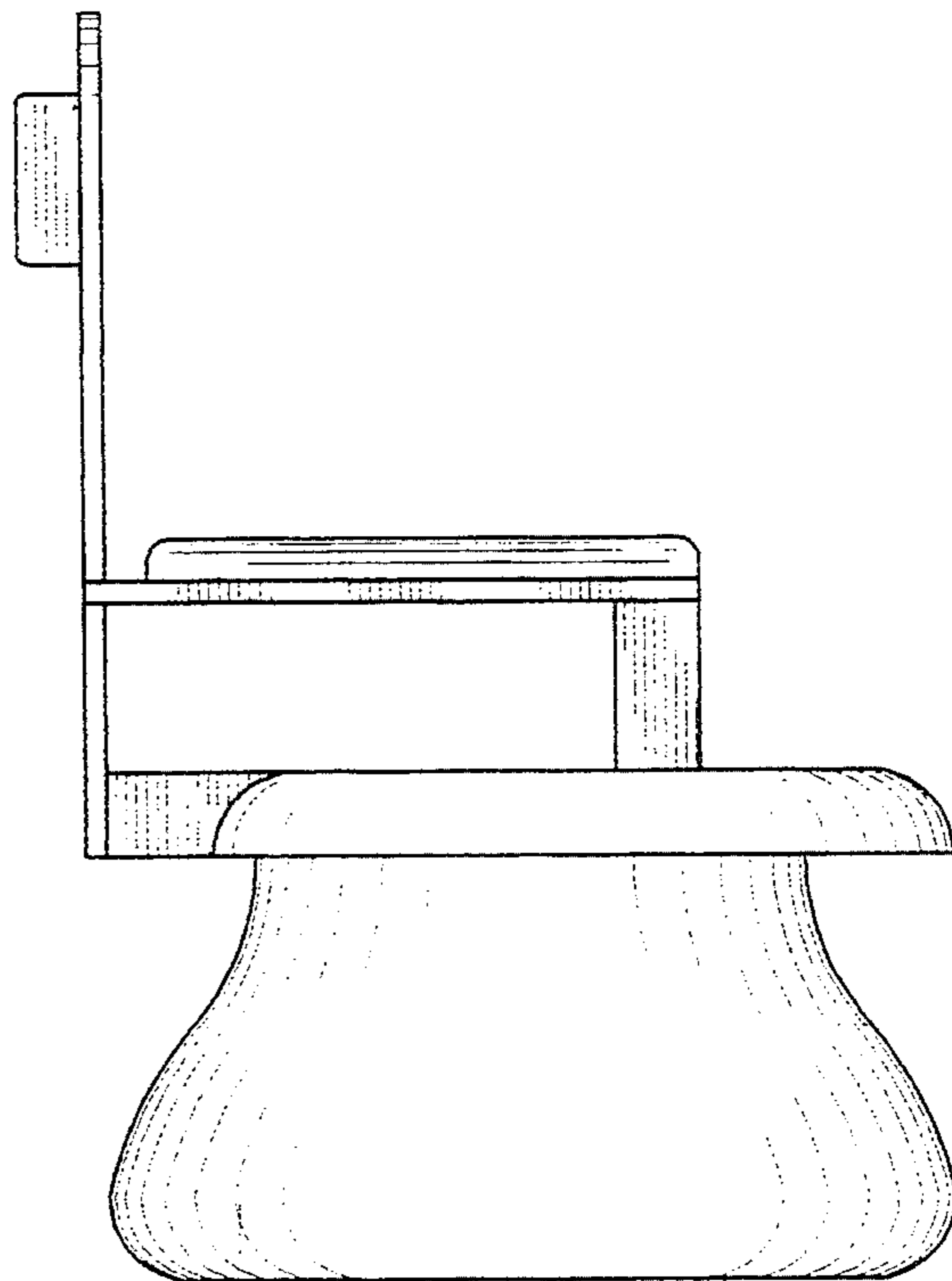
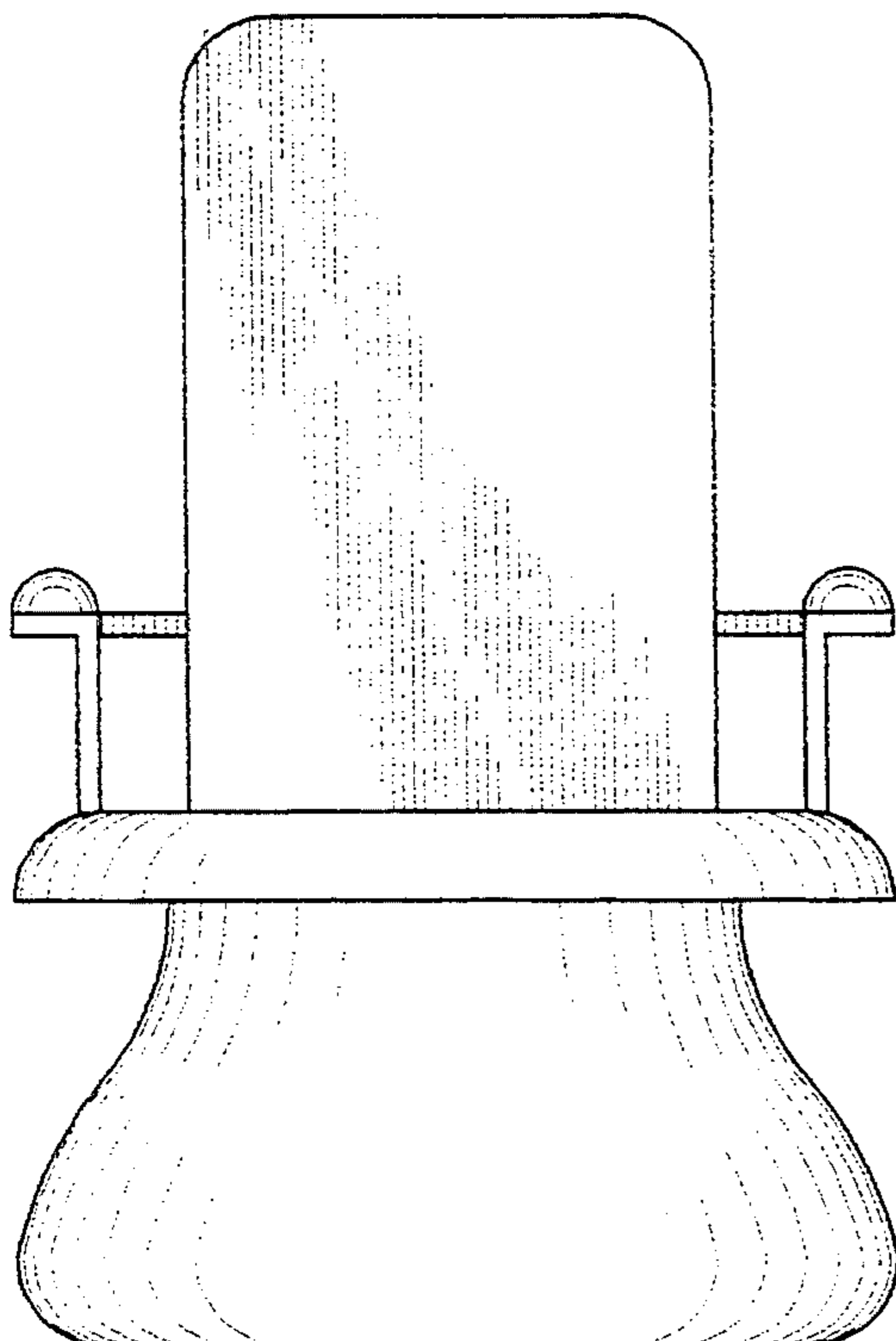


FIG. 1

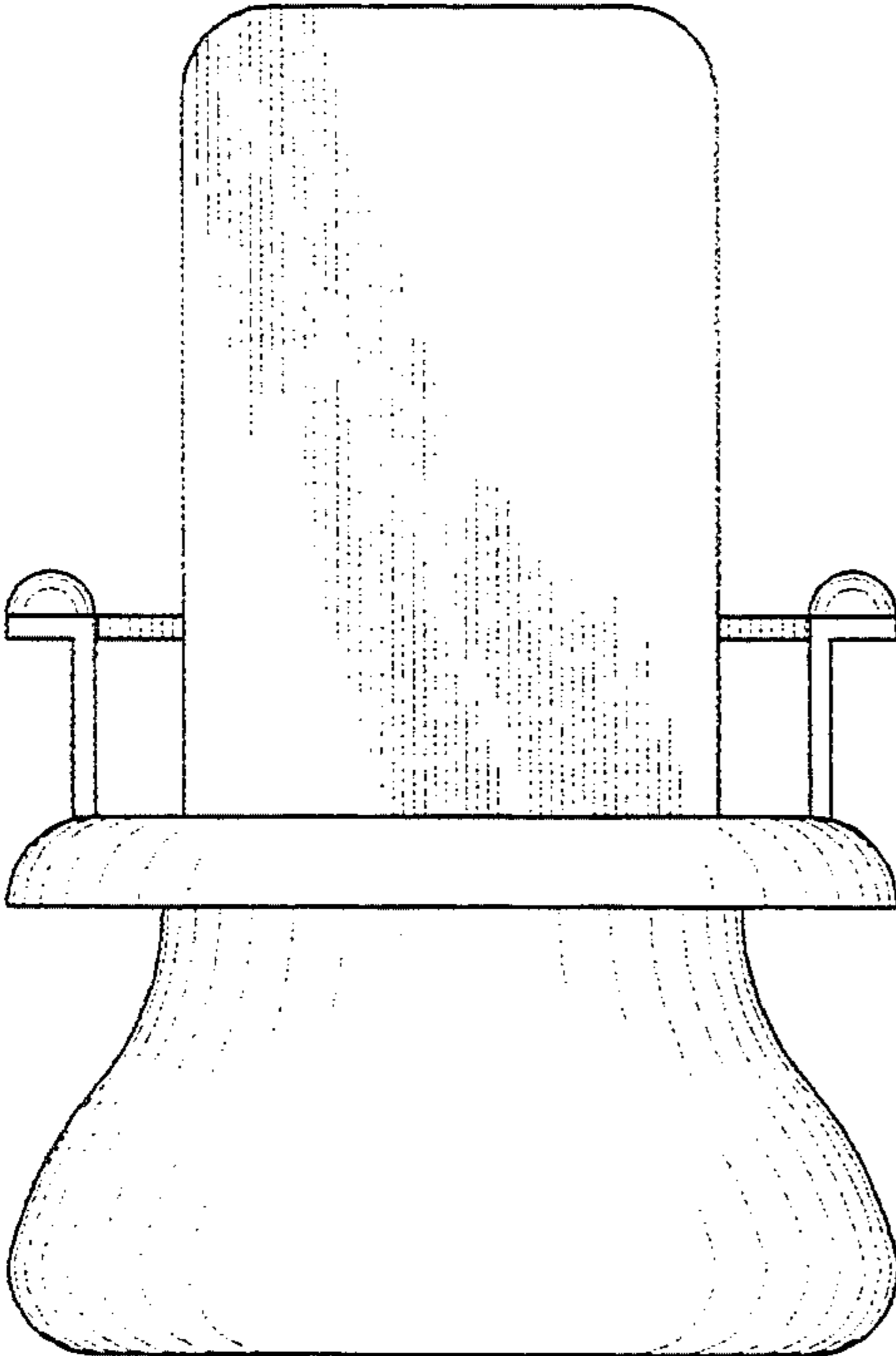


FIG. 2

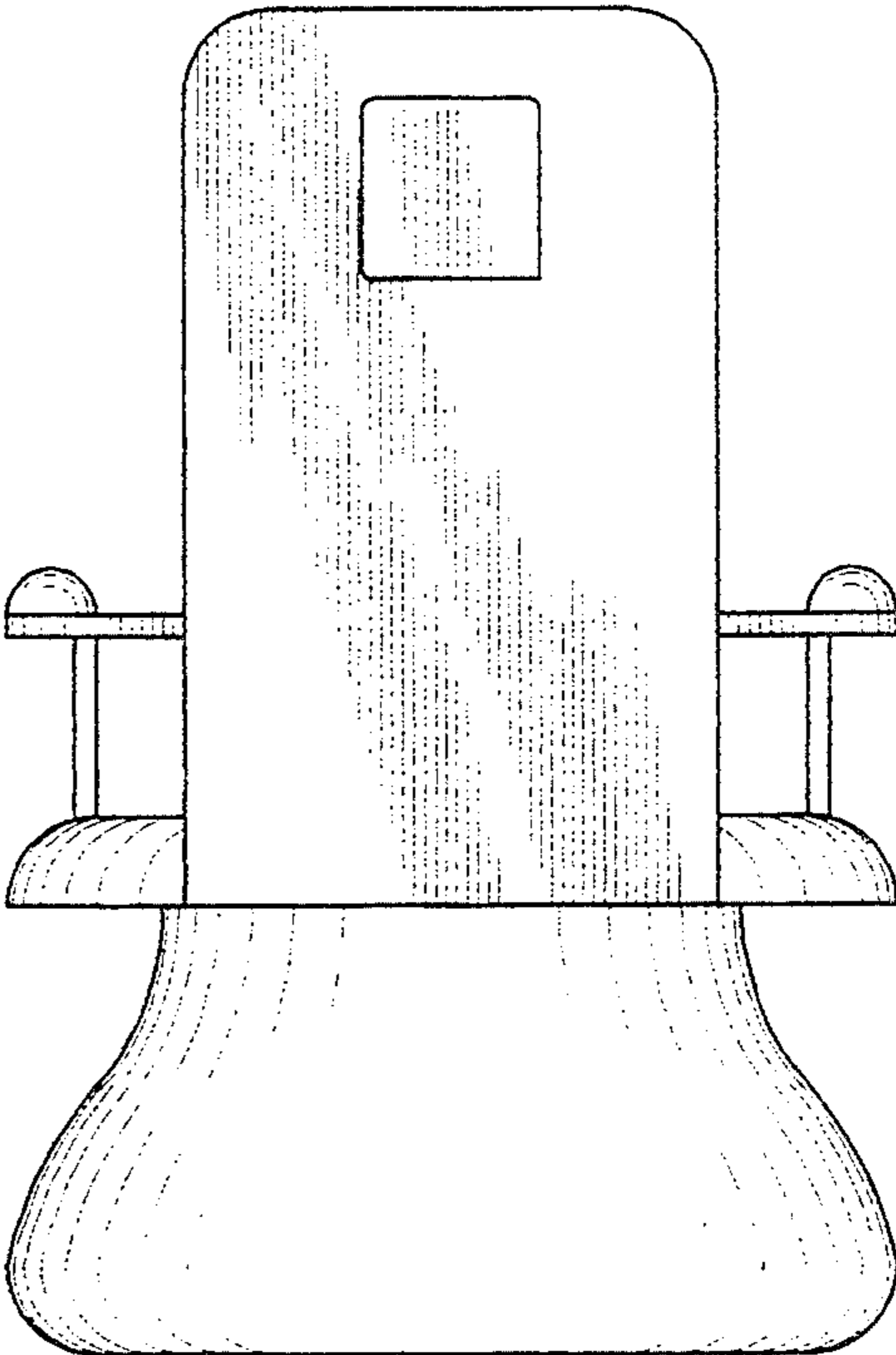


FIG. 3

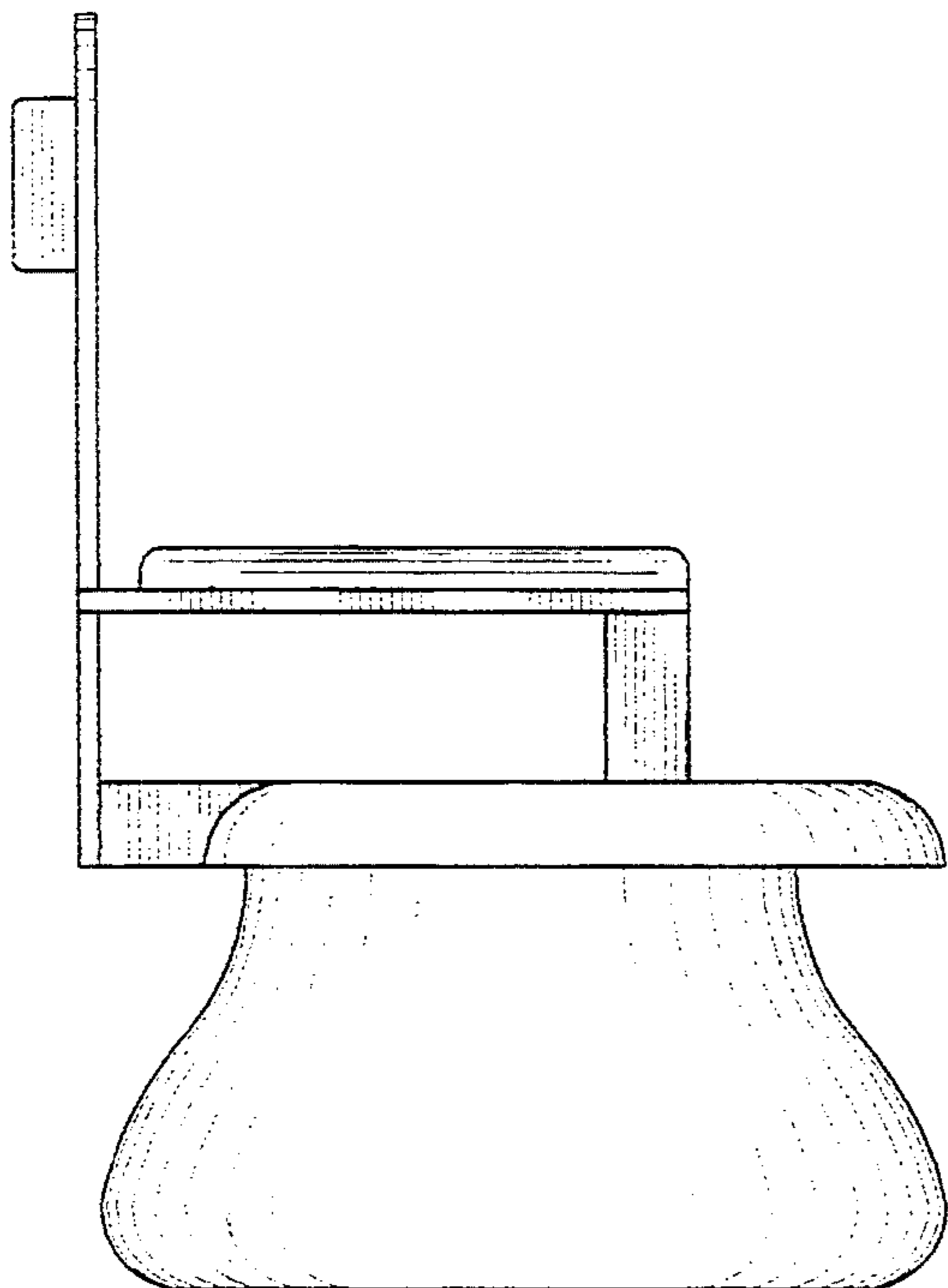


FIG. 4

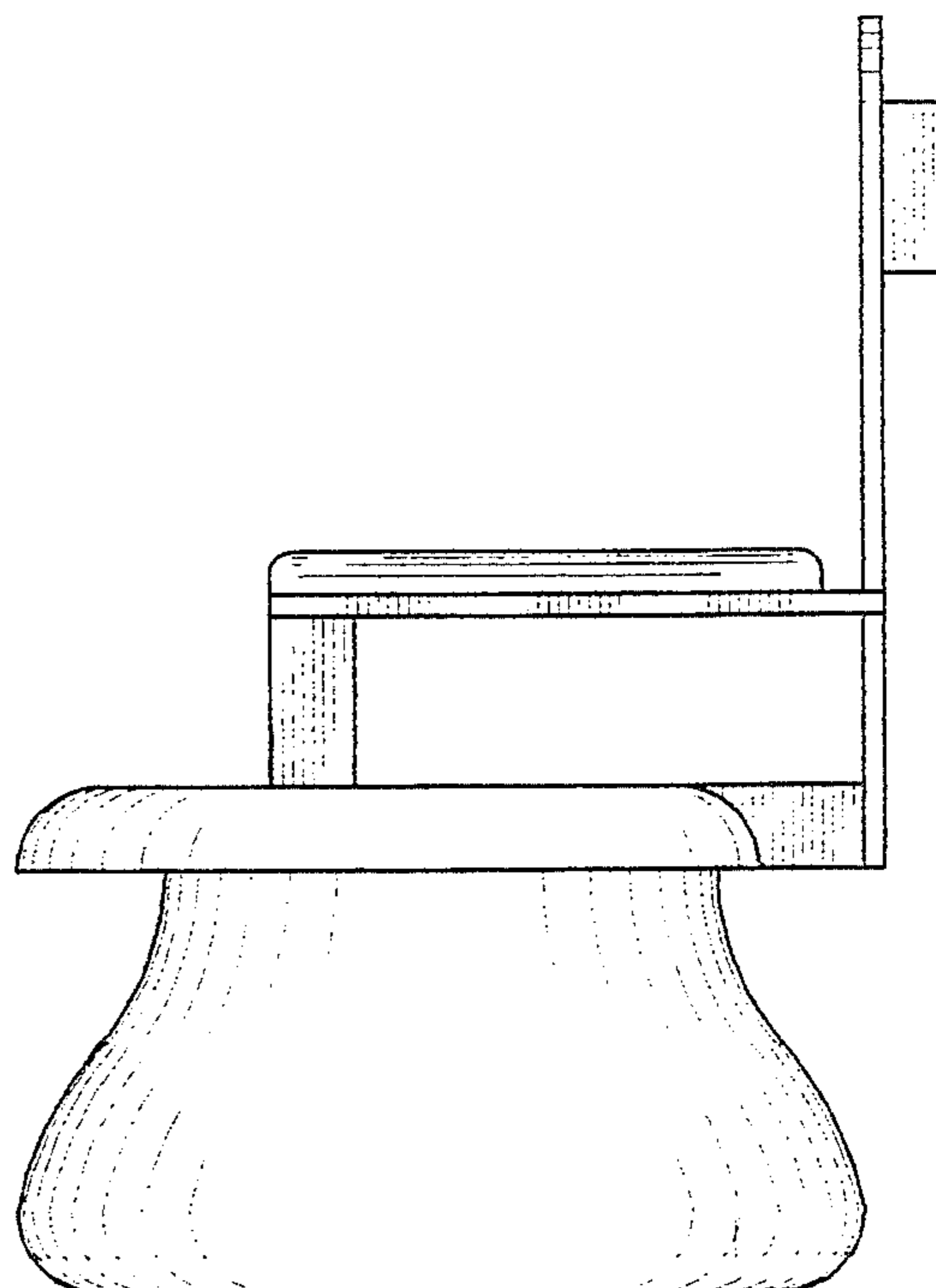


FIG. 5

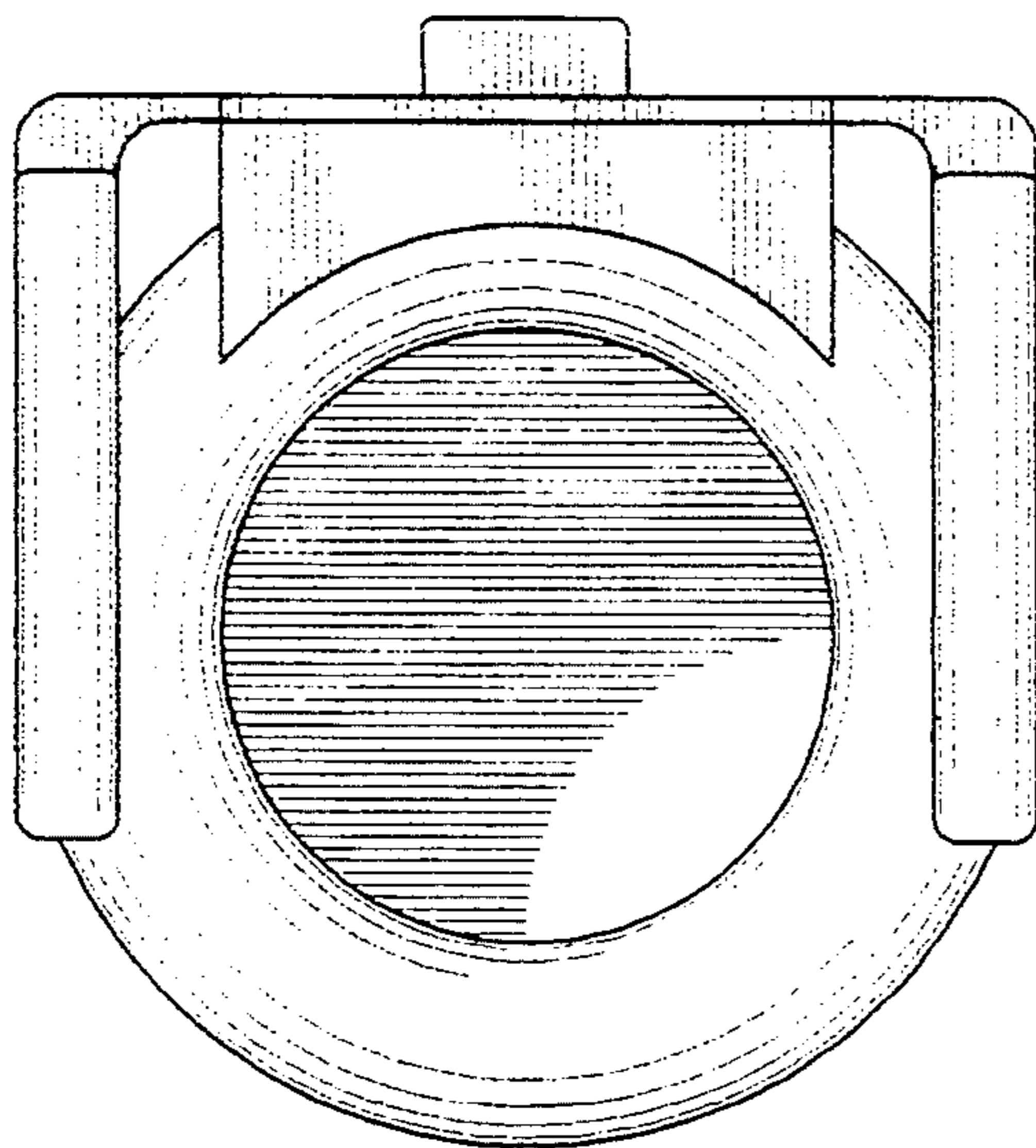


FIG. 6

