



US00D361624S

United States Patent [19]

[11] Patent Number: Des. 361,624

Fabian

[45] Date of Patent: ** Aug. 22, 1995

- [54] TUB FILLER SPOUT
- [75] Inventor: **Wolfgang Fabian**, Mannheim, Germany
- [73] Assignee: **American Standard Inc.**, N.J.
- [**] Term: **14 Years**
- [21] Appl. No.: **20,999**
- [22] Filed: **Apr. 6, 1994**
- [52] U.S. Cl. **D23/257**
- [58] Field of Search **D23/238-243, D23/255-258, 675-678; 137/801**

Primary Examiner—A. Hugo Word
Assistant Examiner—Eric Watterson
Attorney, Agent, or Firm—Elaine Brenner Robinson; Ann M. Knab

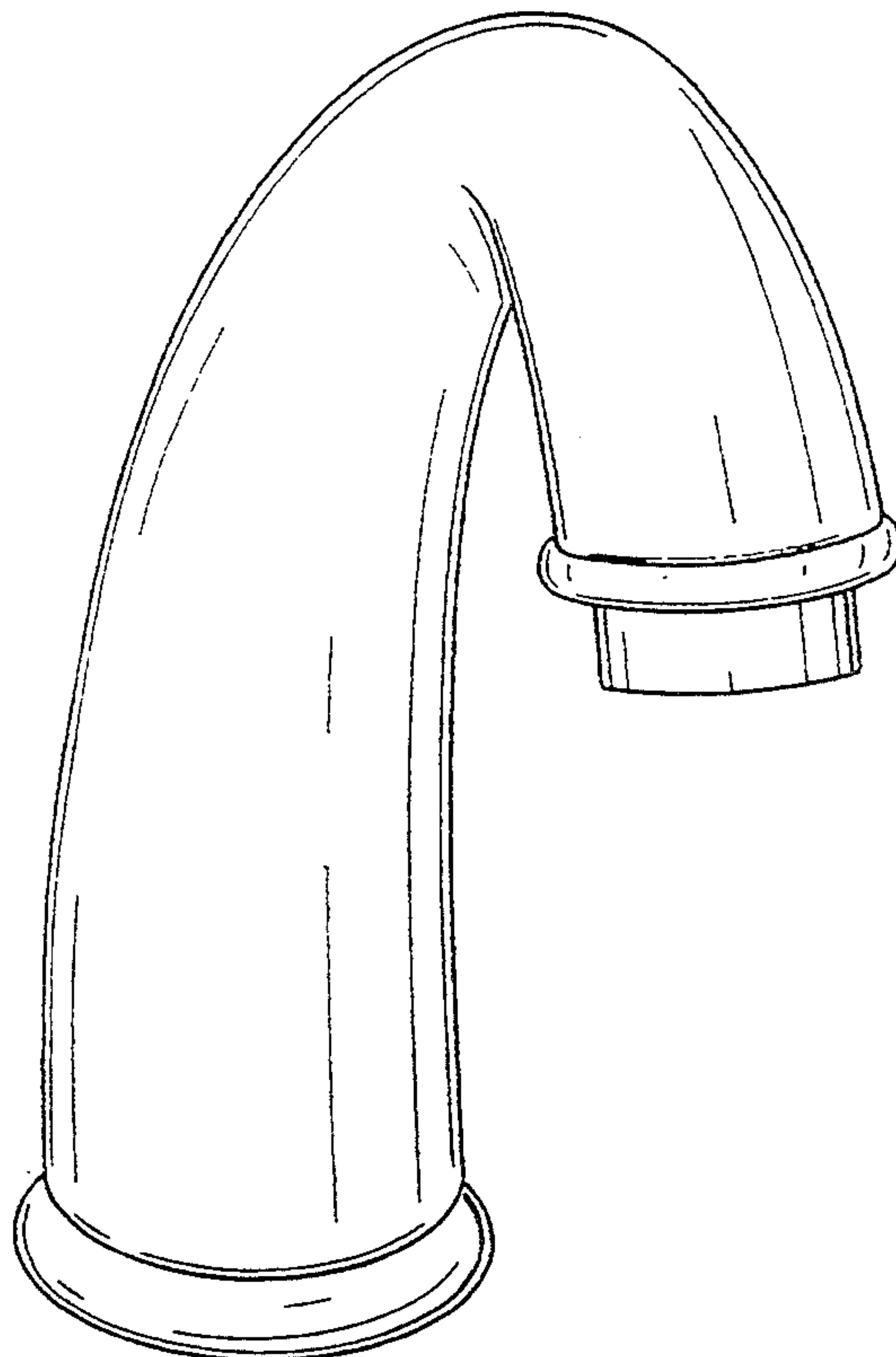
[57] CLAIM

The ornamental design for a tub filler spout, as shown and described.

DESCRIPTION

FIG. 1 is a left perspective view of a tub filler spout showing my new design;
 FIG. 2 is a top plan view thereof;
 FIG. 3 is a front elevational view thereof;
 FIG. 4 is a left side elevational view thereof, the right side view being a mirror image of the left side;
 FIG. 5 is a rear elevational view thereof;
 FIG. 6 is a bottom plan view thereof;
 FIG. 7 is a left perspective view of a tub filler spout showing another embodiment of the design herein;
 FIG. 8 is a top plan view of FIG. 7;
 FIG. 9 is a front elevational view of FIG. 7;
 FIG. 10 is a left side elevational view of FIG. 7, the right side view being a mirror image of the left side;
 FIG. 11 is a rear elevational view of FIG. 7; and,
 FIG. 12 is a bottom plan view of FIG. 7.

- [56] **References Cited**
- U.S. PATENT DOCUMENTS**
- D. 278,270 4/1985 Niemann .
- D. 278,271 4/1985 Niemann .
- D. 279,123 6/1985 Niemann .
- D. 284,992 8/1986 Joerger D23/242
- D. 290,992 7/1987 Hill et al. D23/255
- D. 296,354 6/1988 Fabian .
- D. 298,274 10/1988 Fabian .
- D. 299,161 12/1988 Frottini D23/255
- D. 299,519 1/1989 Fabian .
- 2,878,489 3/1959 Grohom 4/677



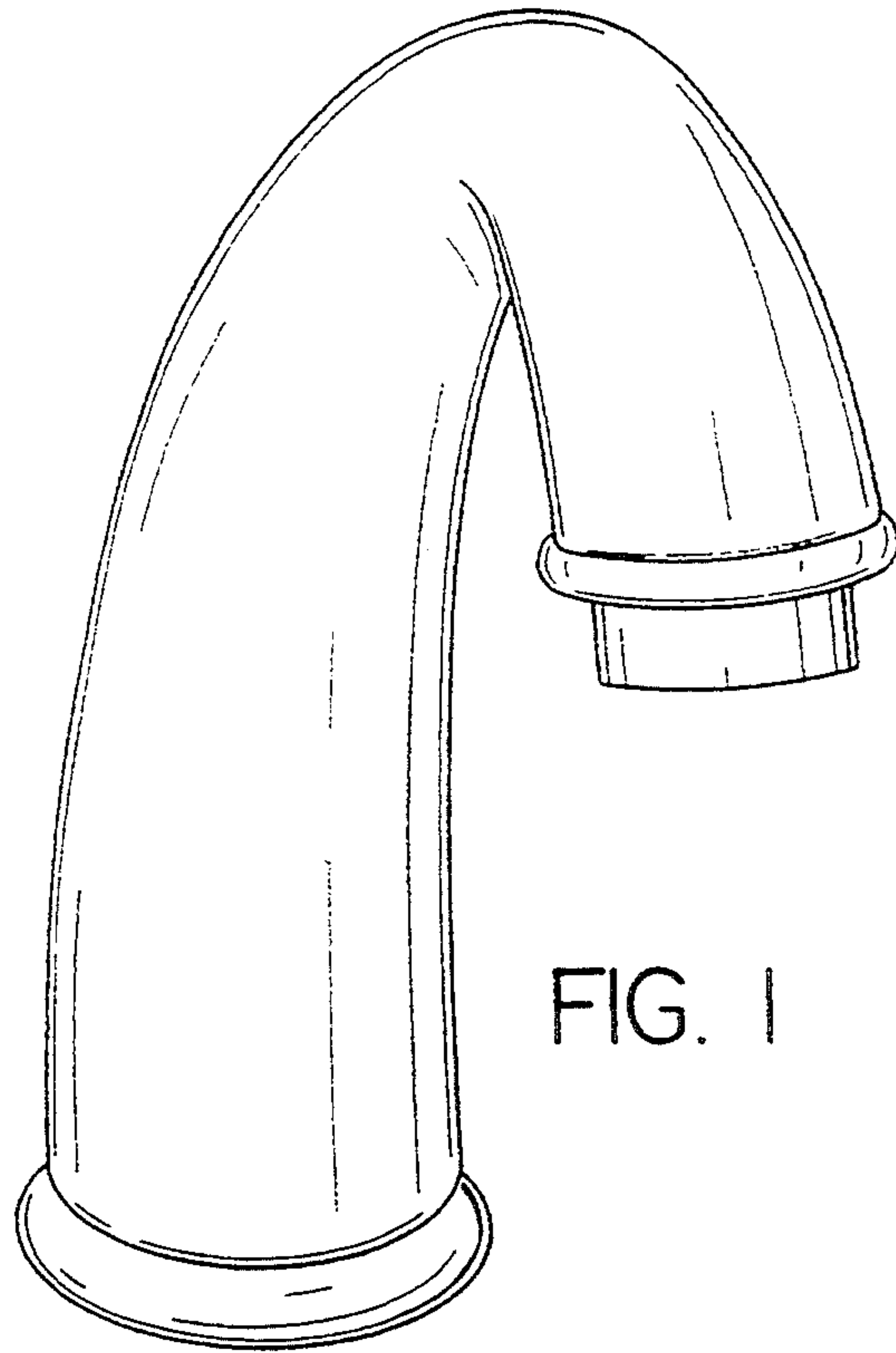


FIG. 1

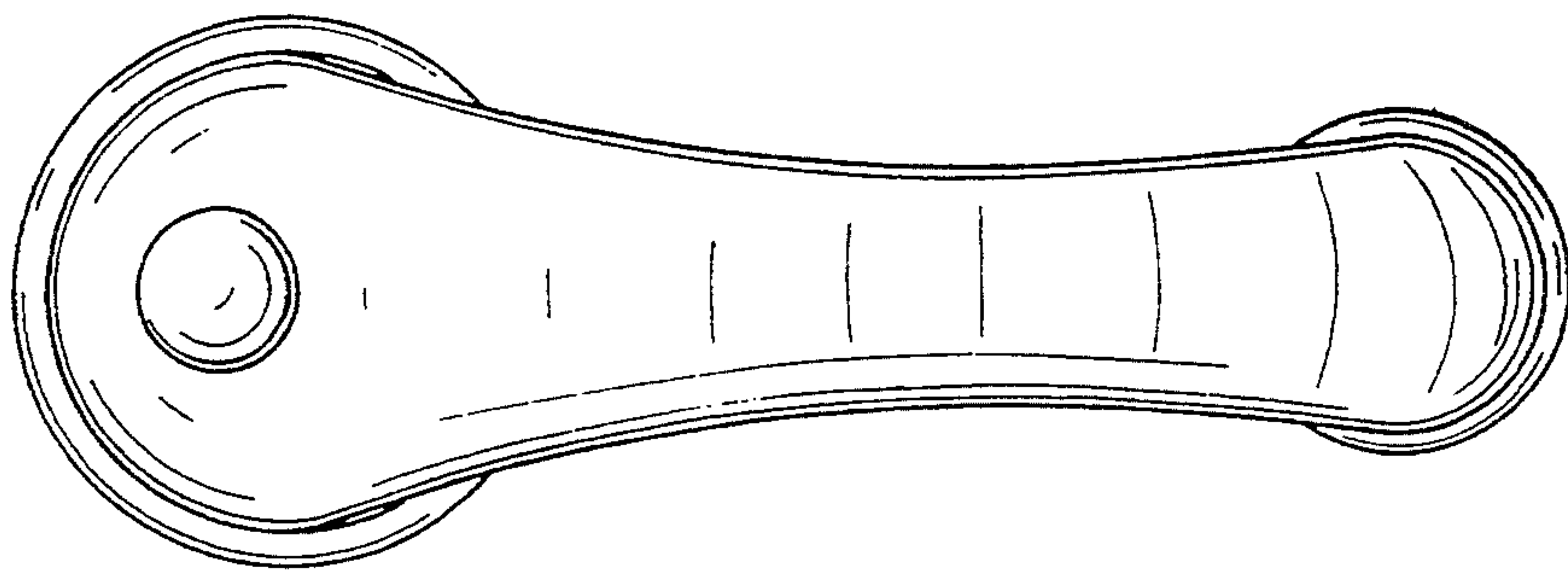


FIG. 2

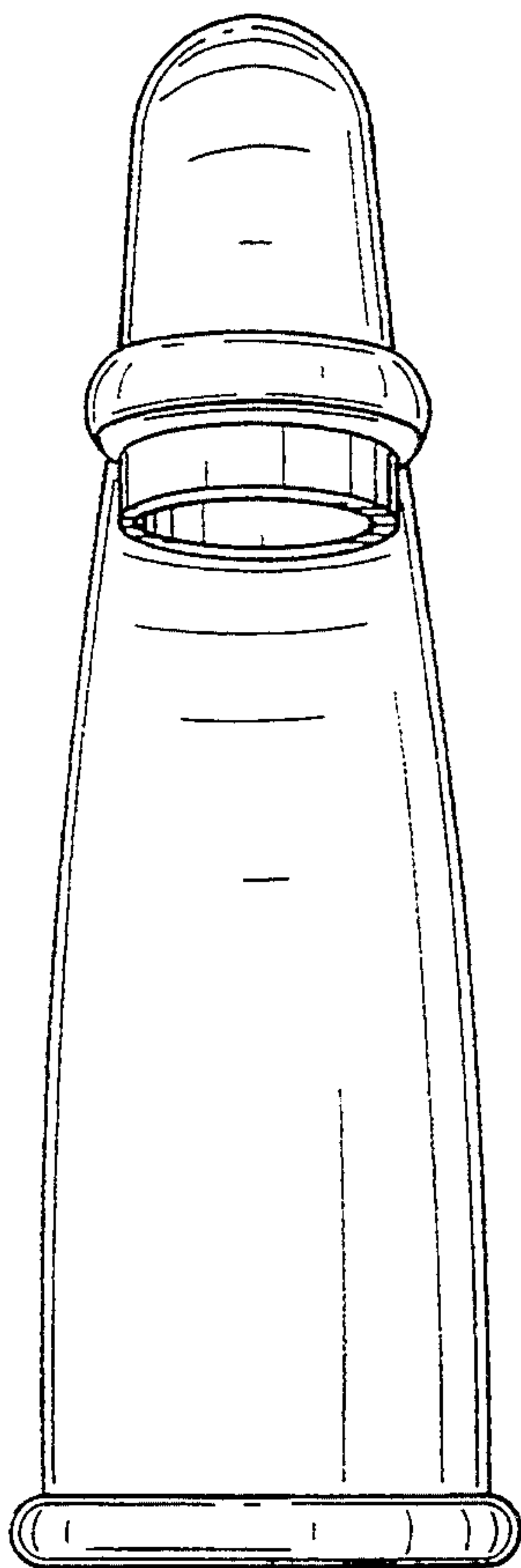


FIG. 3

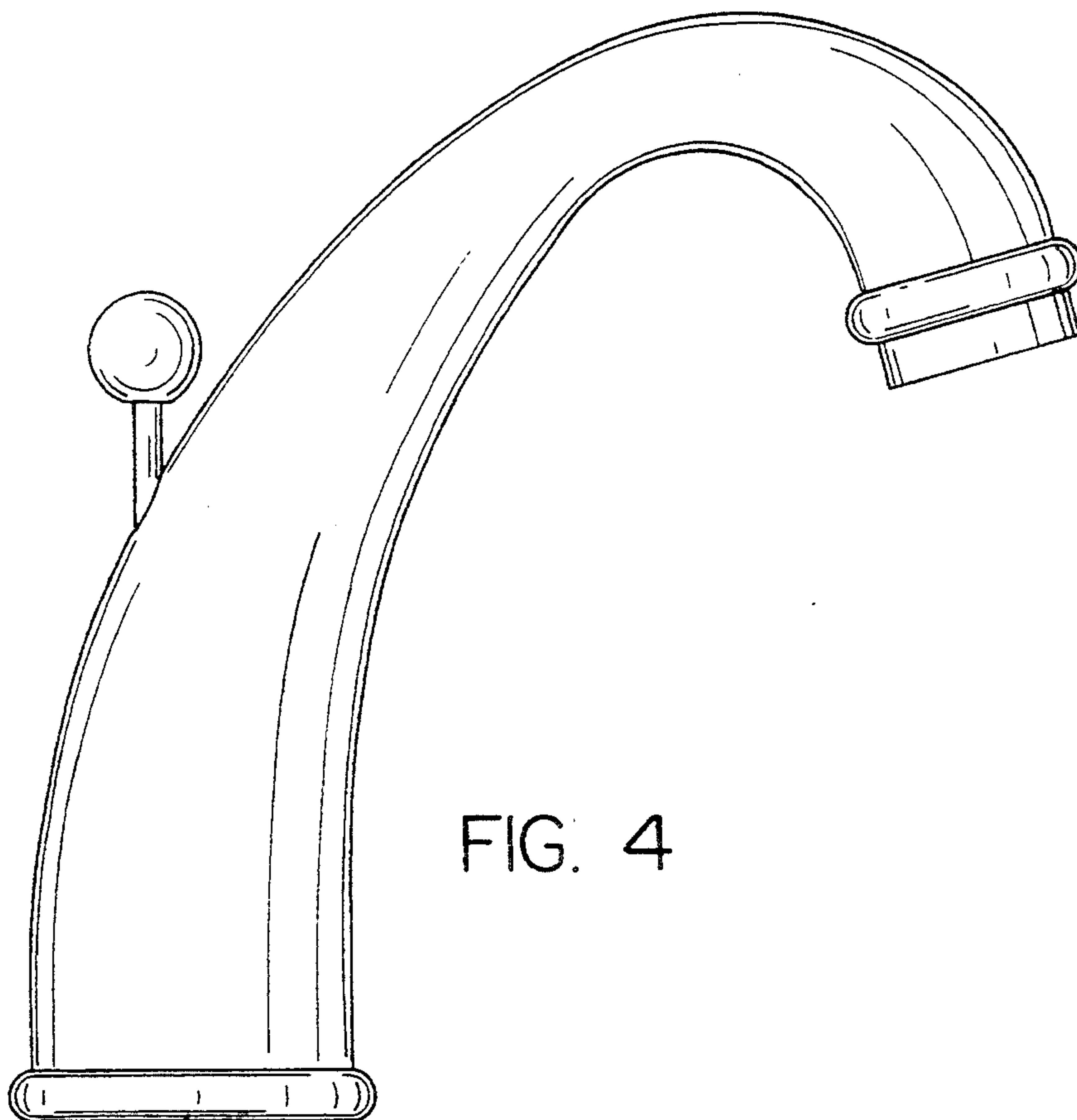


FIG. 4

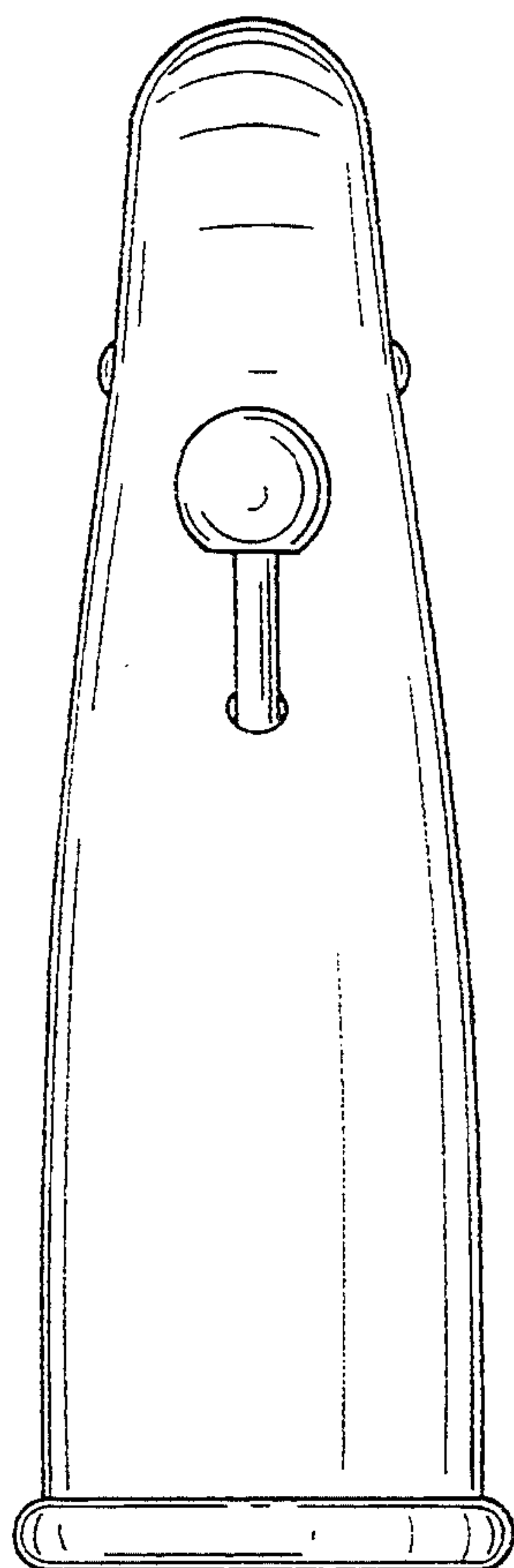


FIG. 5

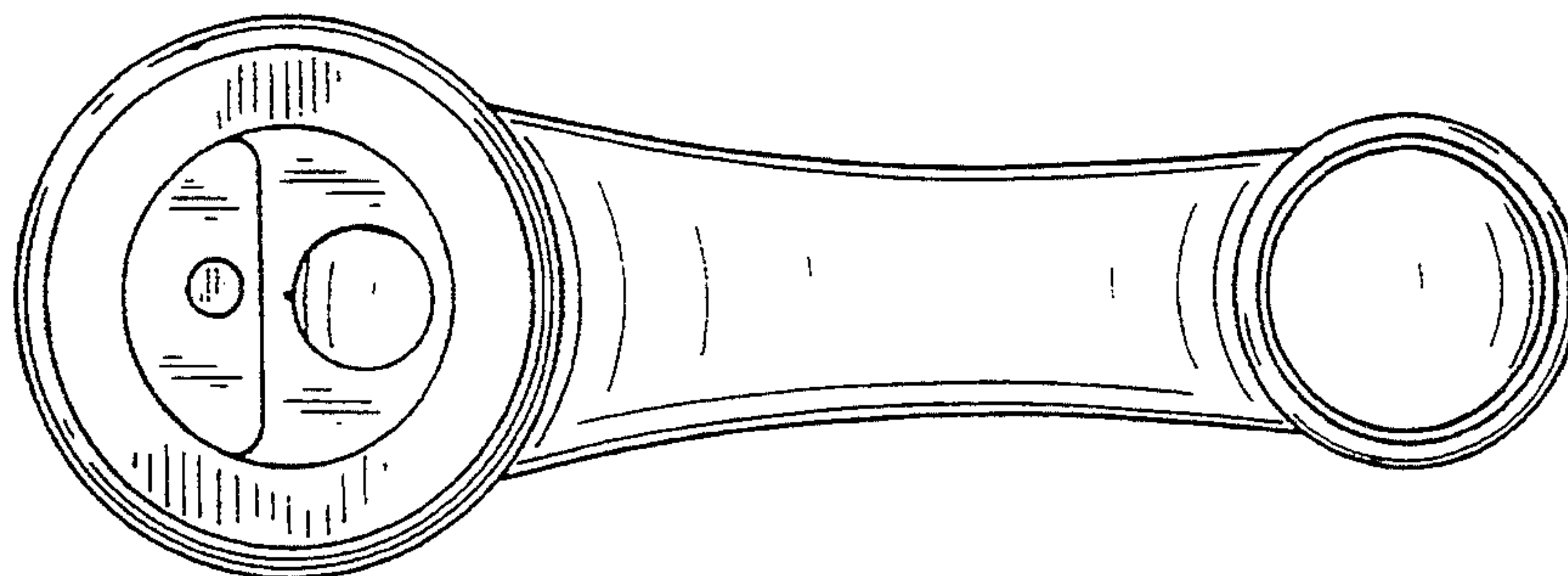


FIG. 6

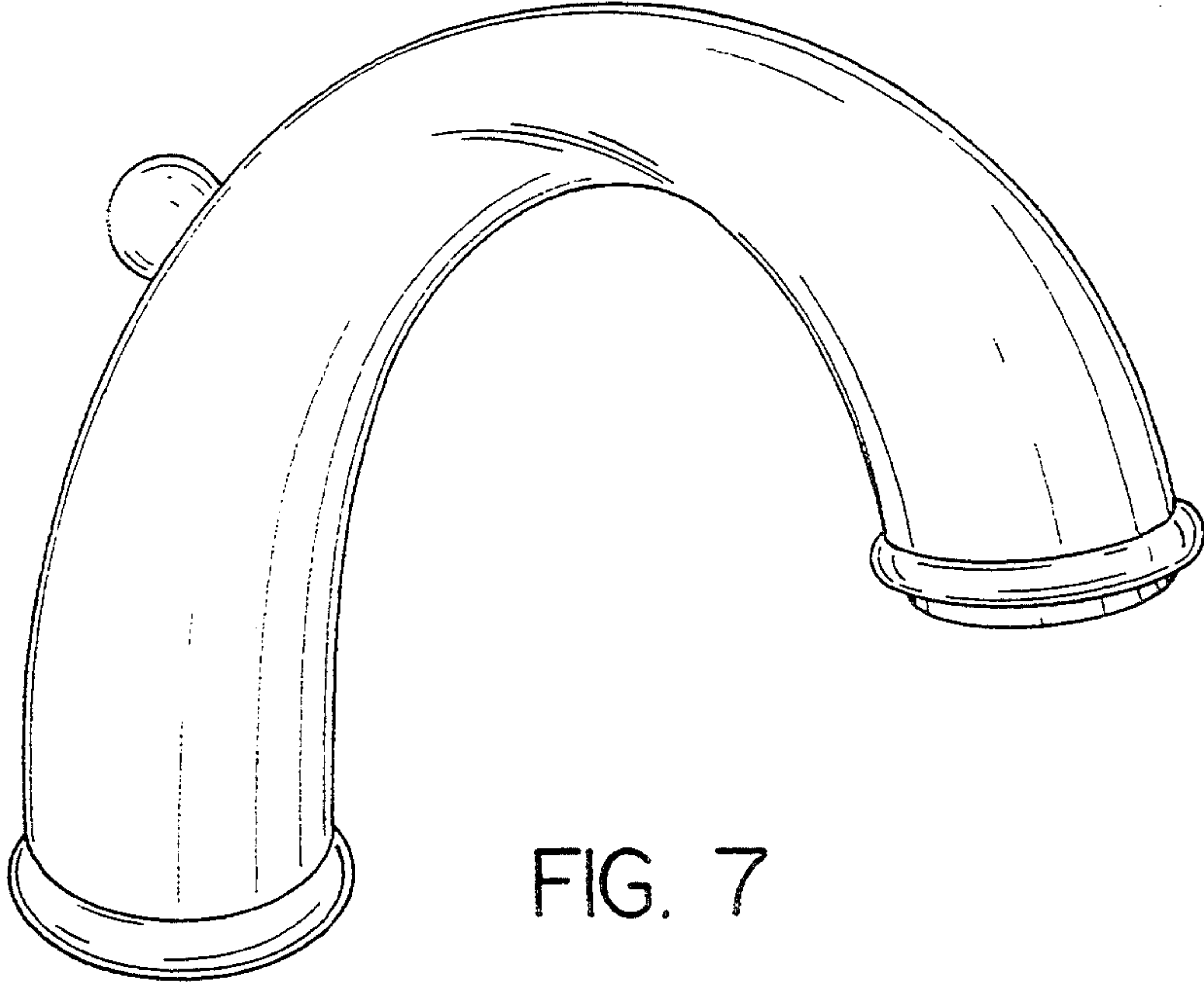


FIG. 7

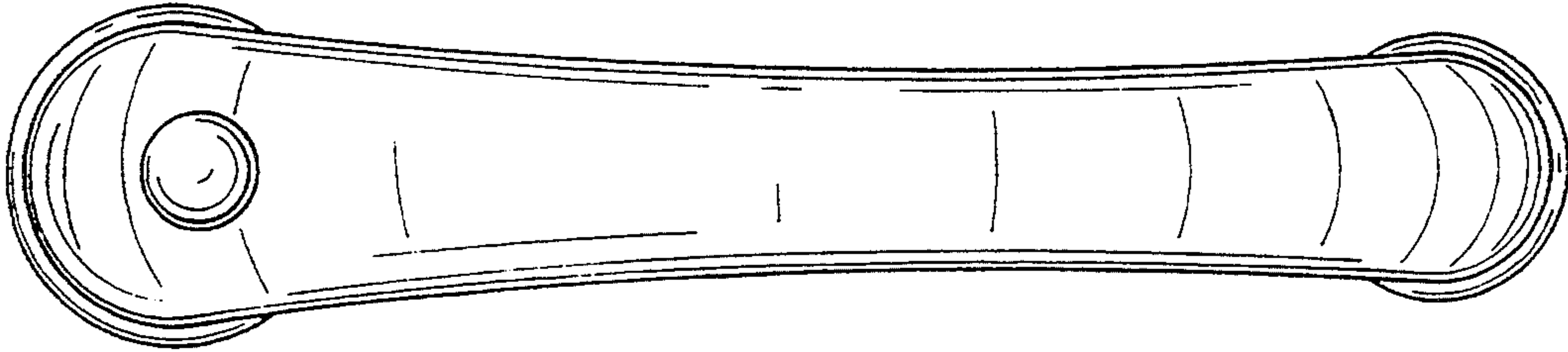


FIG. 8

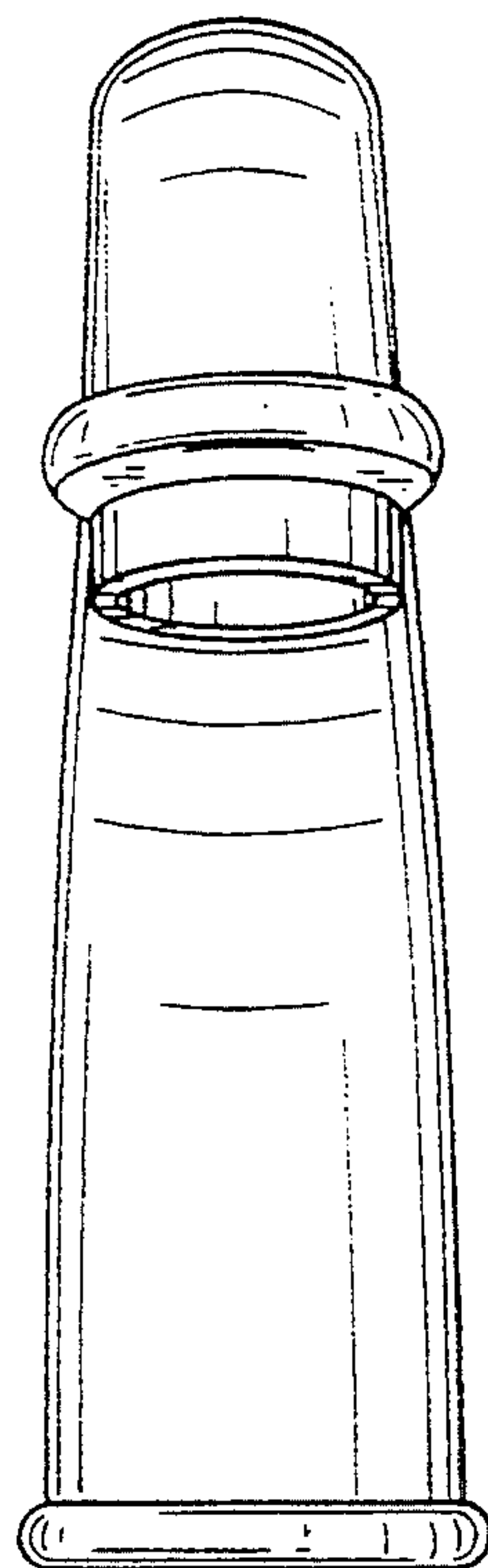


FIG. 9

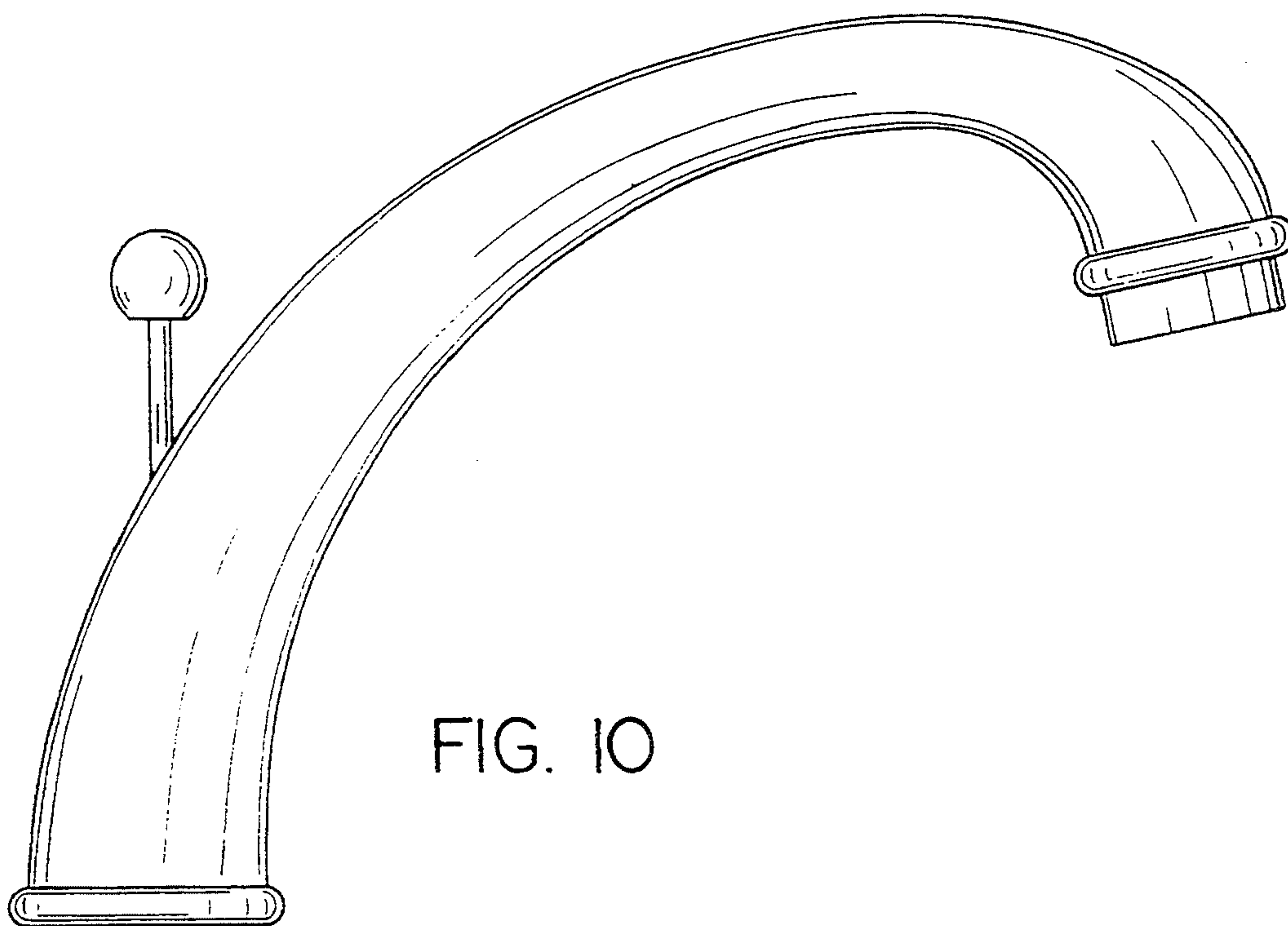


FIG. 10

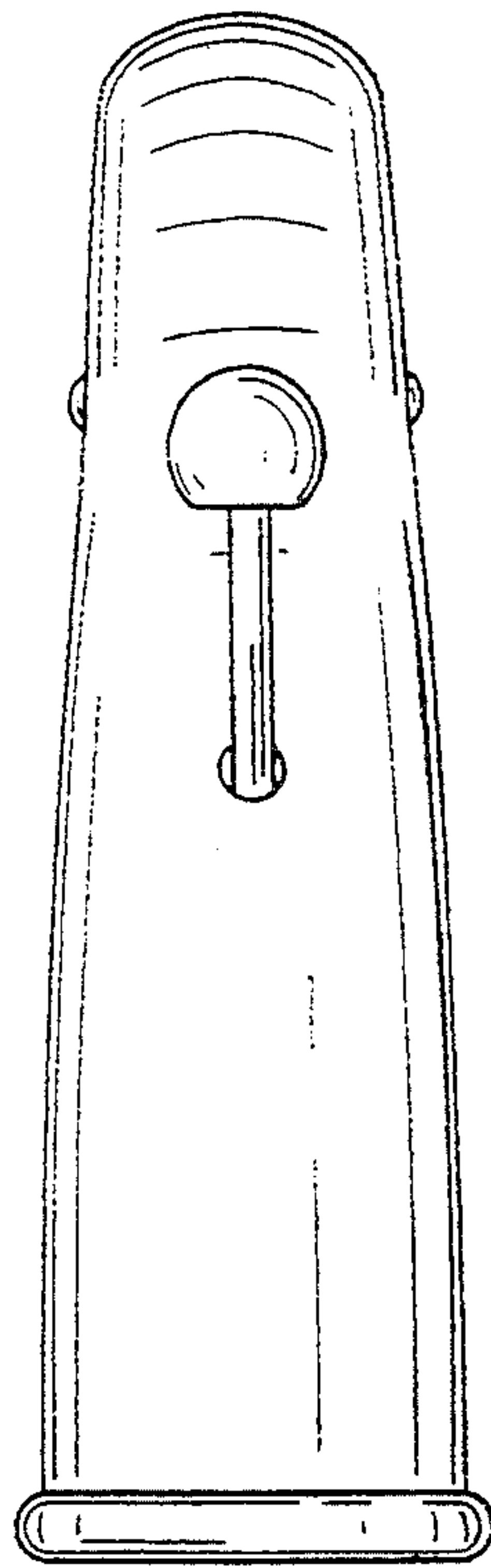


FIG. 11

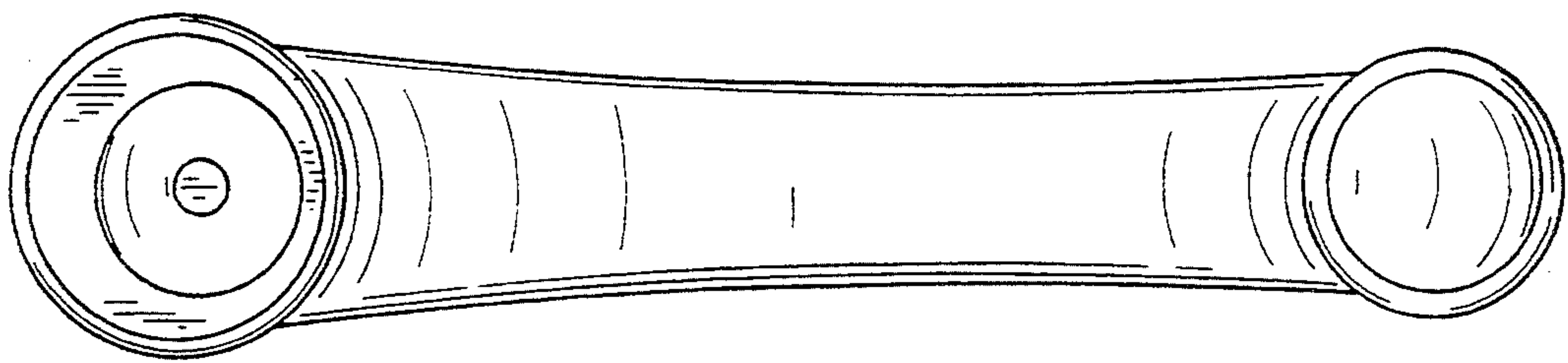


FIG. 12