



US00D361623S

# United States Patent [19]

[11] Patent Number: **Des. 361,623**

Huen

[45] Date of Patent: **\*\* Aug. 22, 1995**

[54] **SHOWER HEAD**

[75] Inventor: **Hing-Wah Huen**, Kowloon, Hong Kong

[73] Assignee: **Fairform Mfg. Co., Ltd.**, Hong Kong

[\*\*] Term: **14 Years**

[21] Appl. No.: **15,153**

[22] Filed: **Nov. 9, 1993**

[52] U.S. Cl. .... **D23/223; D23/213**

[58] Field of Search ..... **D23/213, 223-230; 239/373, 394, 382-383, 447, 288.5**

[56] **References Cited**

**U.S. PATENT DOCUMENTS**

D. 317,348	6/1991	Geneve et al. ....	D23/223
D. 320,642	10/1991	Geneve et al. ....	D23/223
D. 349,947	8/1994	Hing-Wah .....	D23/223
5,215,258	6/1993	Jursich .....	239/394

*Primary Examiner*—Brian N. Vinson  
*Assistant Examiner*—Robin V. Taylor

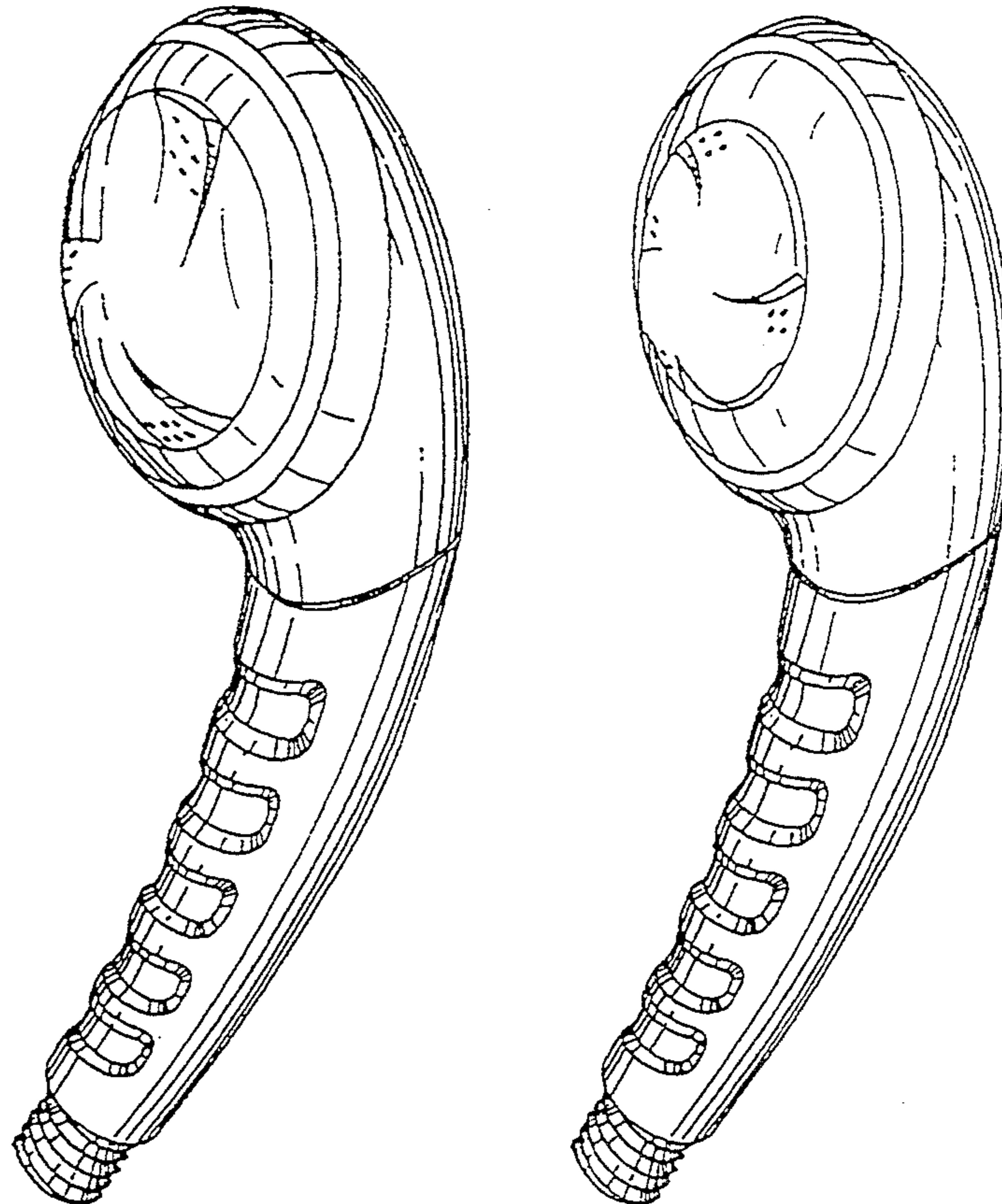
*Attorney, Agent, or Firm*—Browning, Bushman, Anderson & Brookhart

[57] **CLAIM**

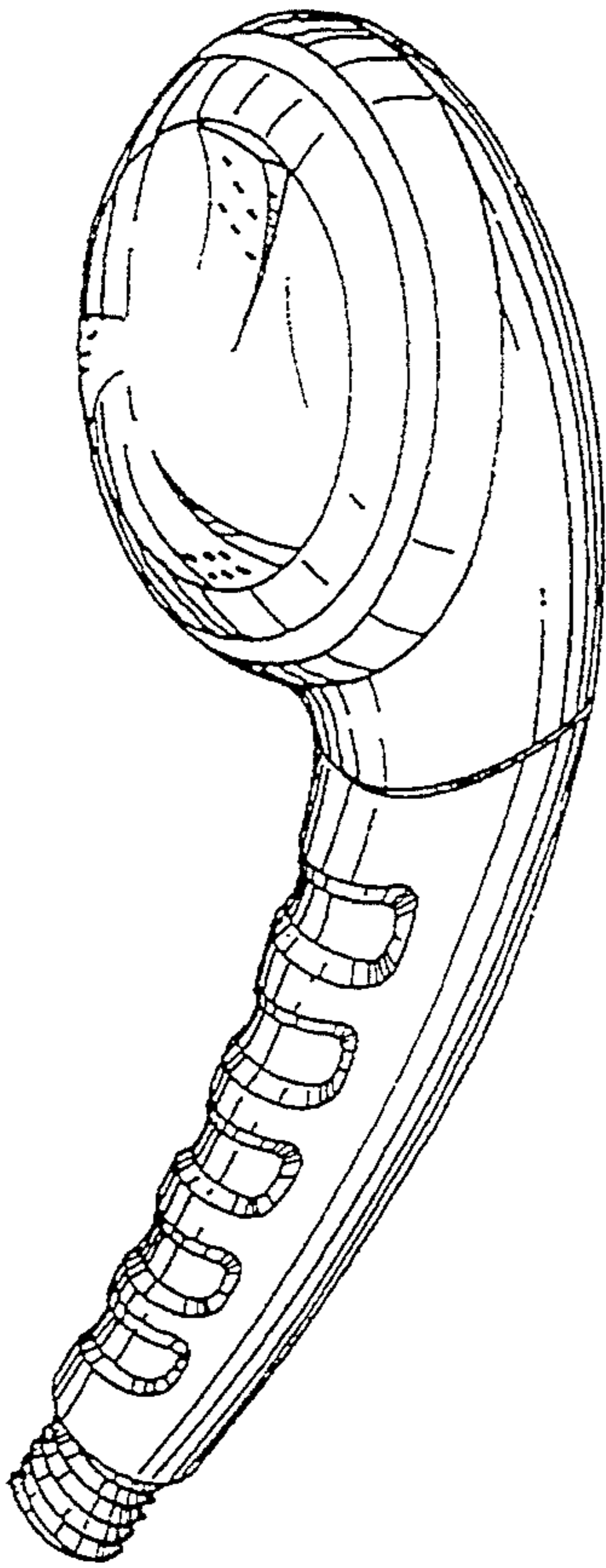
The ornamental design for a shower head, as shown and described.

**DESCRIPTION**

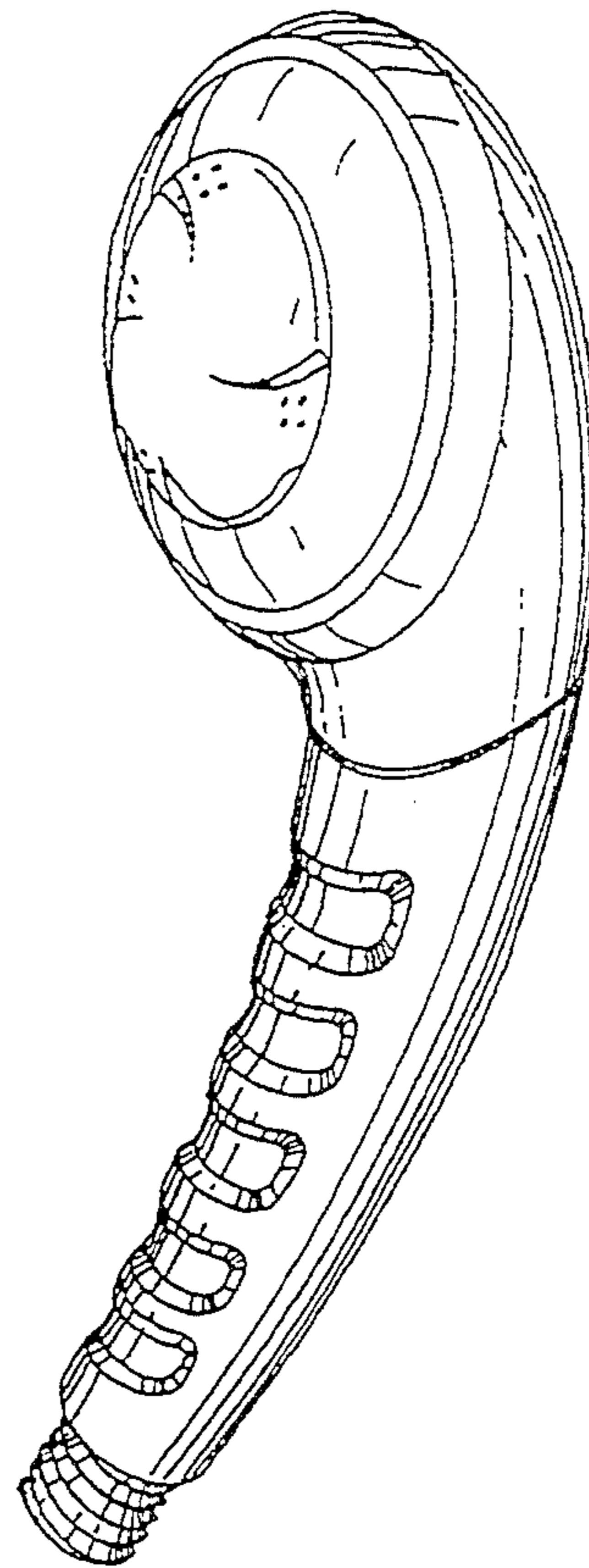
FIG. 1 is a front, side perspective view of a shower head showing my new design;  
 FIG. 2 is a front elevational view thereof;  
 FIG. 3 is a side elevational view thereof, the other side being a mirror image;  
 FIG. 4 is a rear view thereof;  
 FIG. 5 is a top view thereof;  
 FIG. 6 is a bottom view thereof;  
 FIG. 7 is a front, side perspective view of another embodiment thereof;  
 FIG. 8 is a front elevational view thereof;  
 FIG. 9 is a side elevational view thereof, the other side being a mirror image;  
 FIG. 10 is a rear elevational view thereof;  
 FIG. 11 is a top view thereof; and,  
 FIG. 12 is a bottom view thereof.



*FIG. 1*



*FIG. 7*



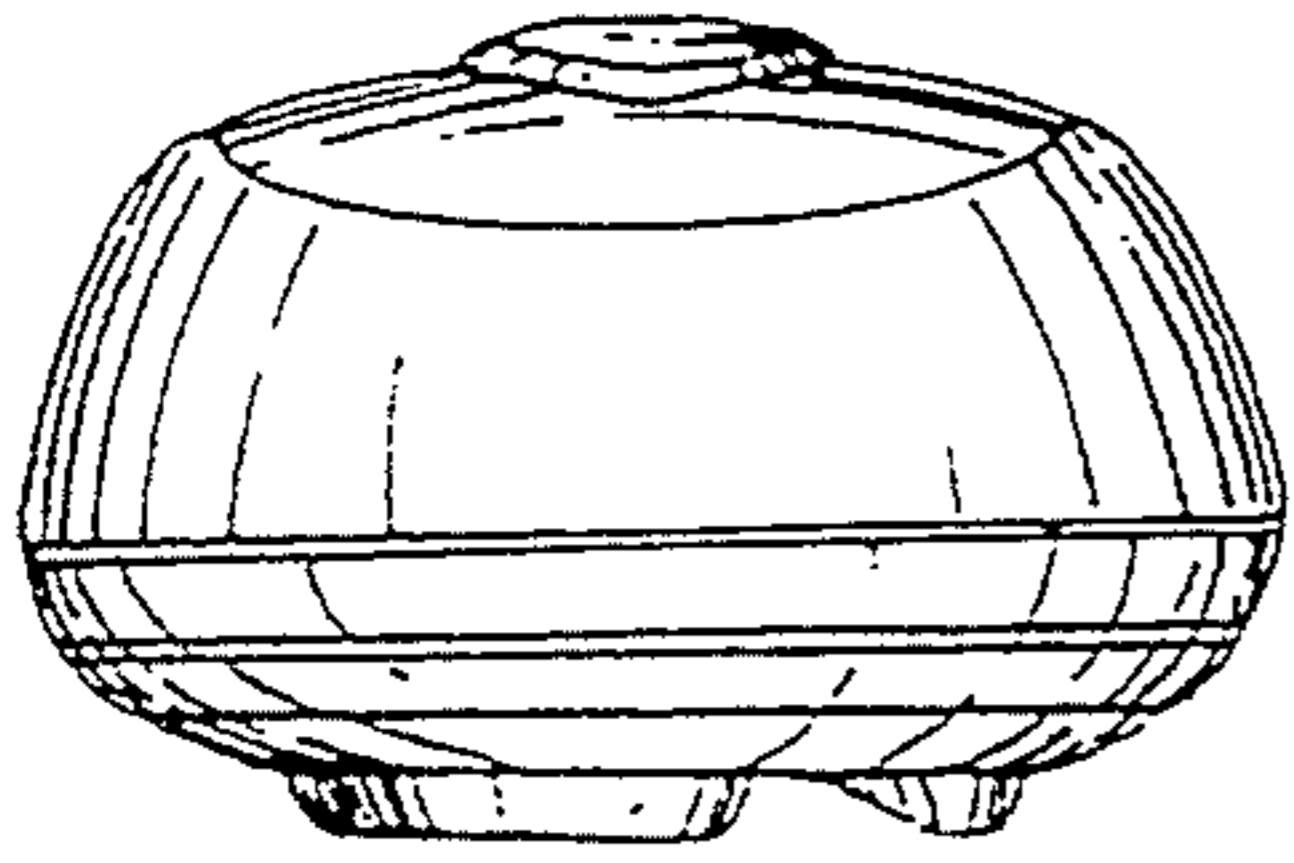


FIG. 5

FIG. 2

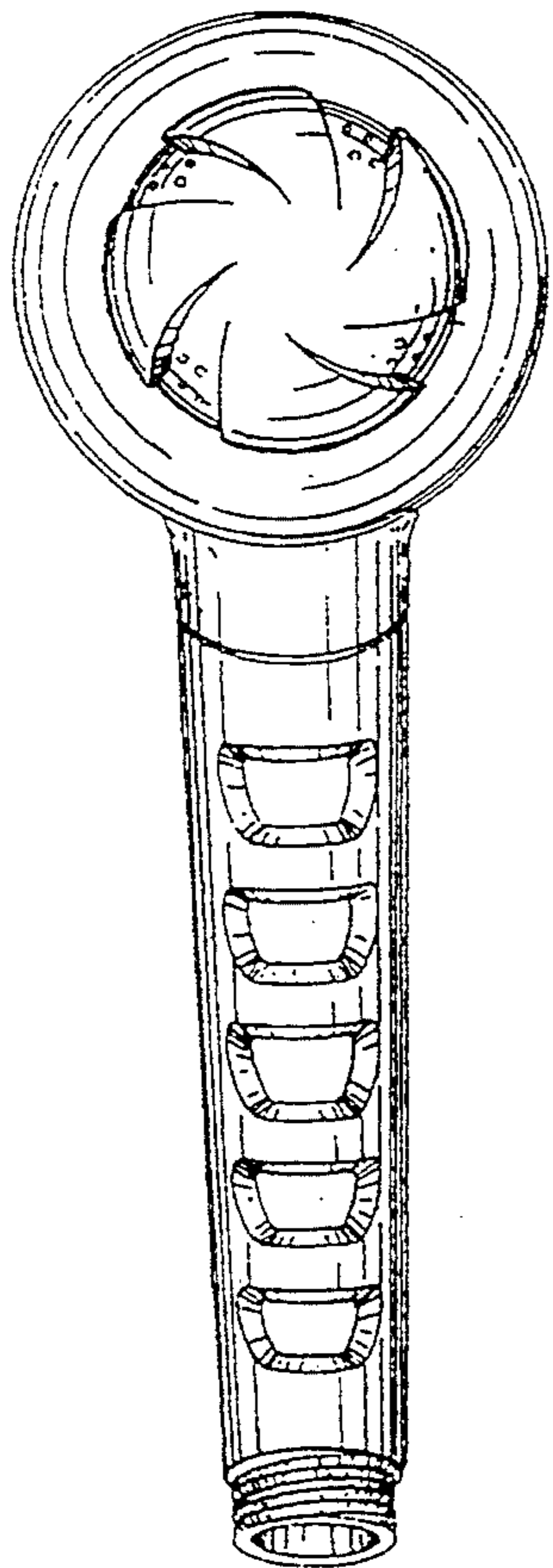


FIG. 3

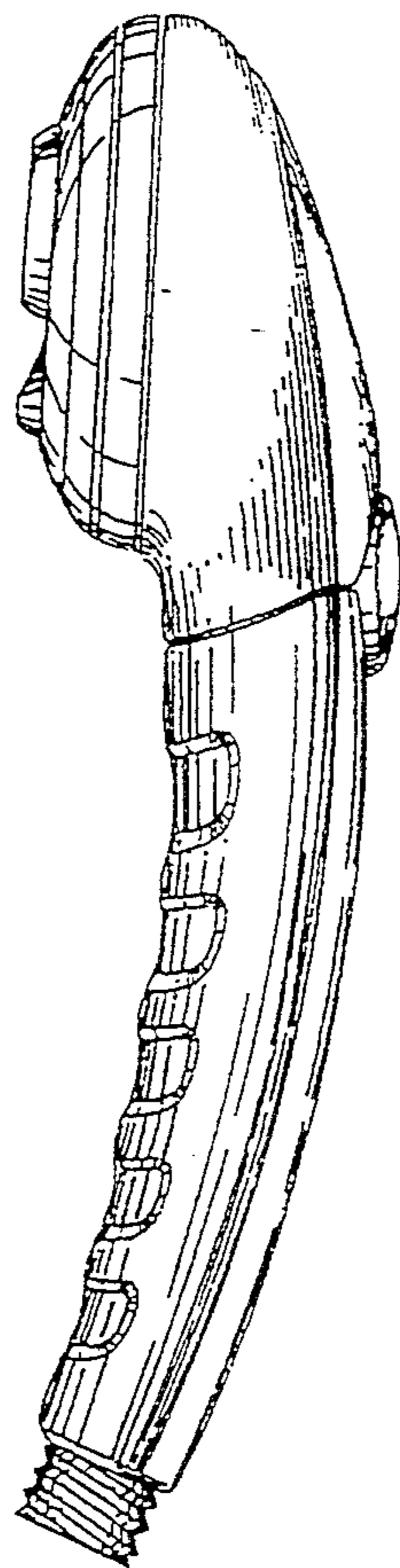


FIG. 4

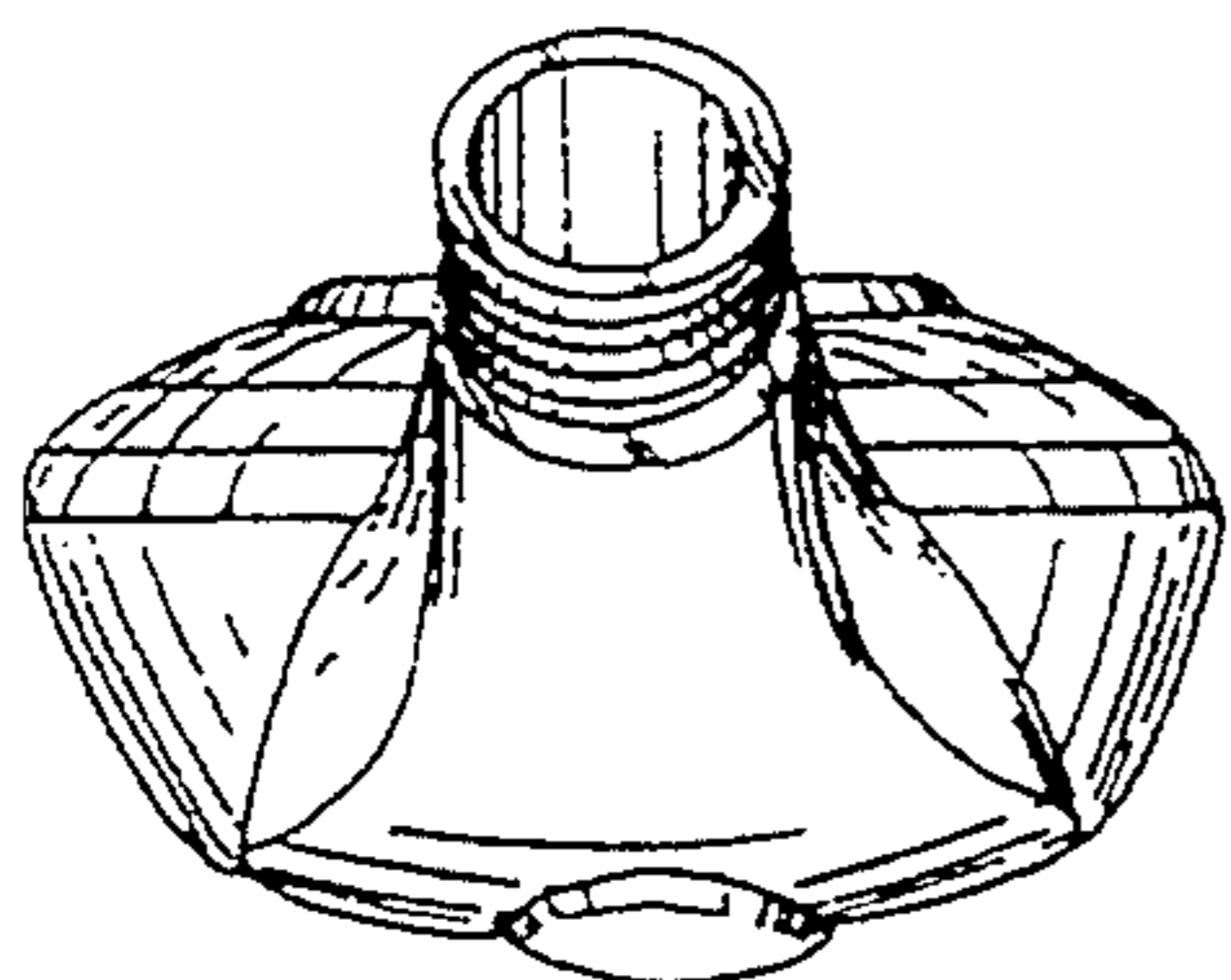
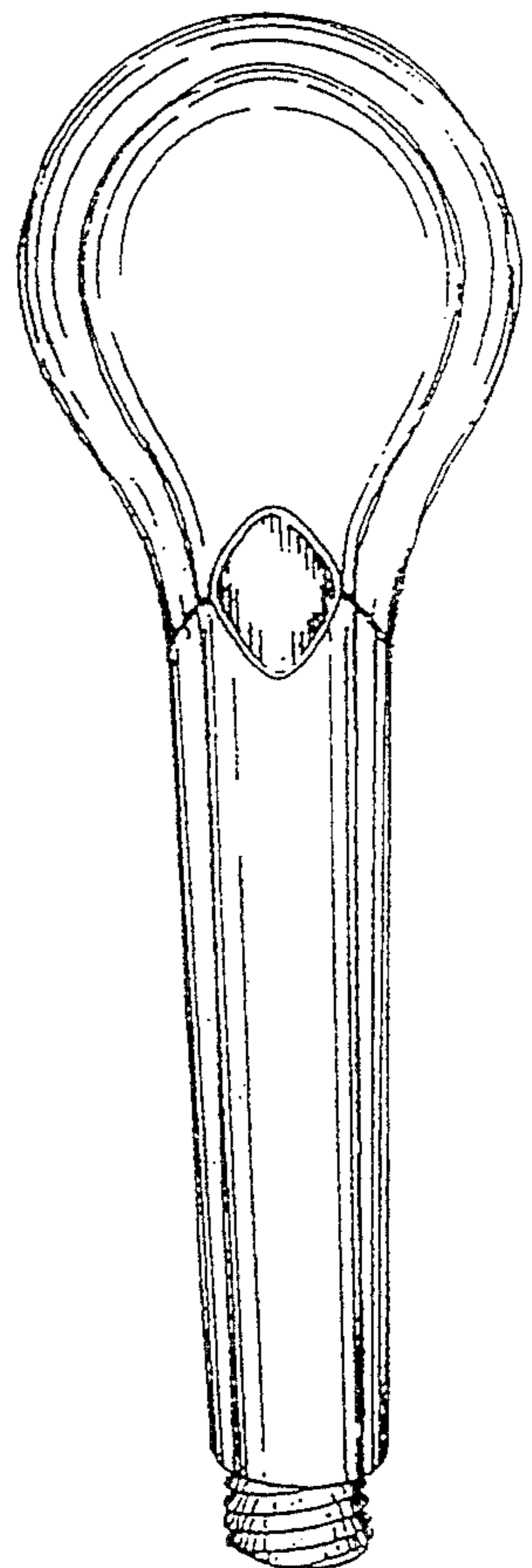


FIG. 6



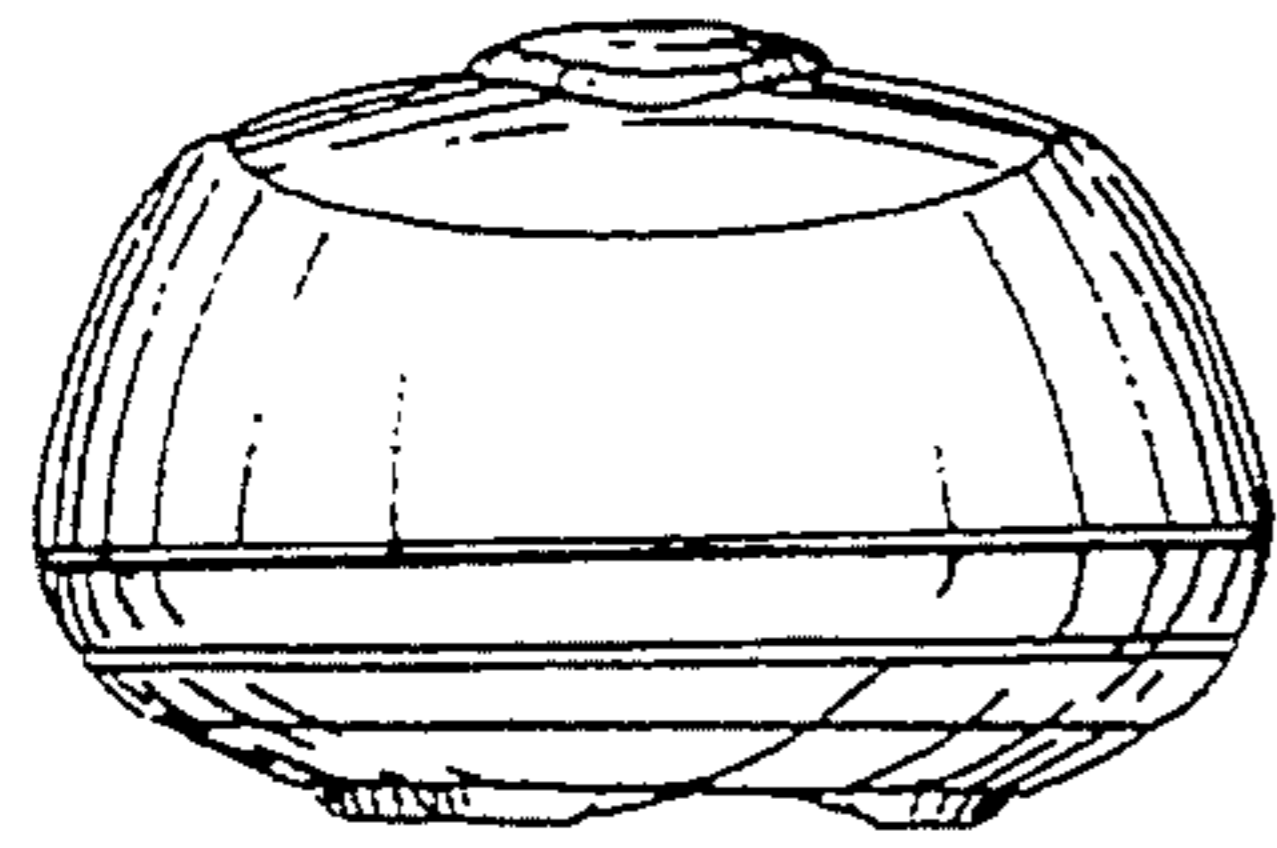


FIG. 11

FIG. 8

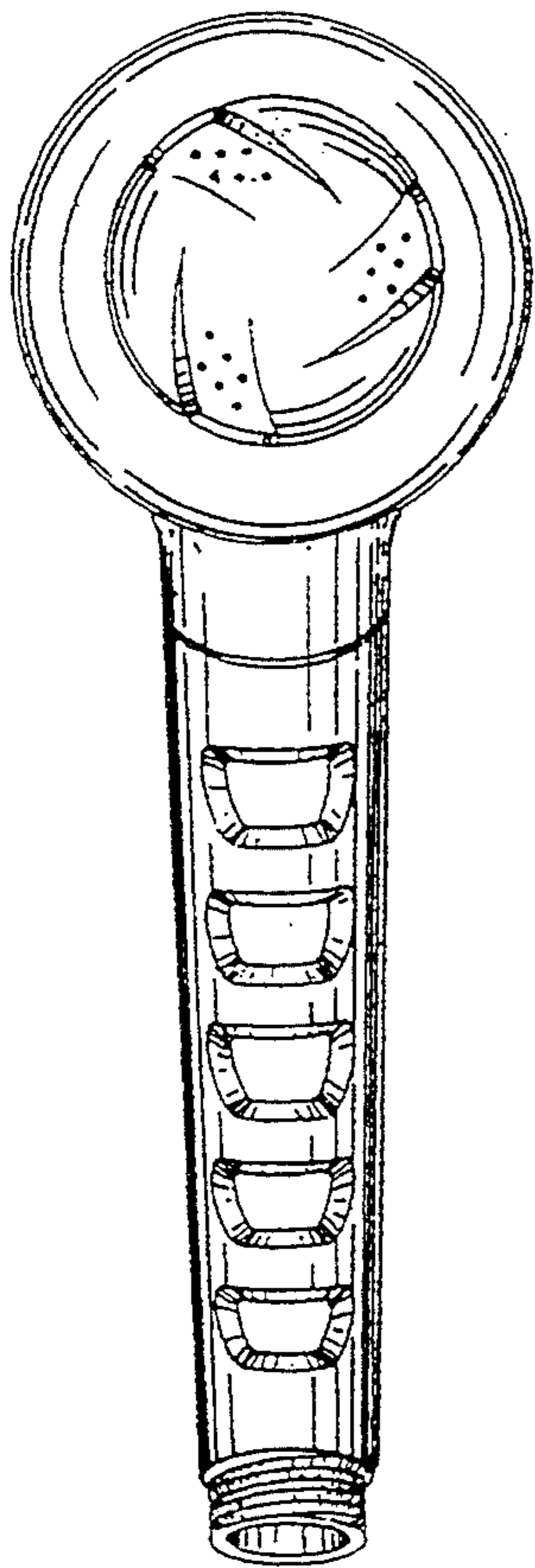


FIG. 9

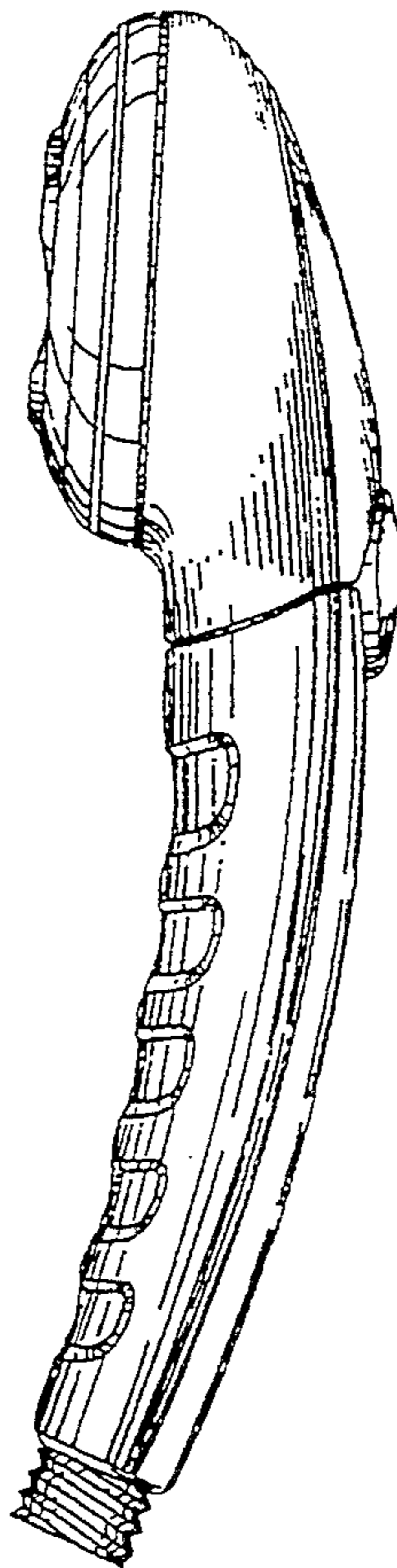


FIG. 10

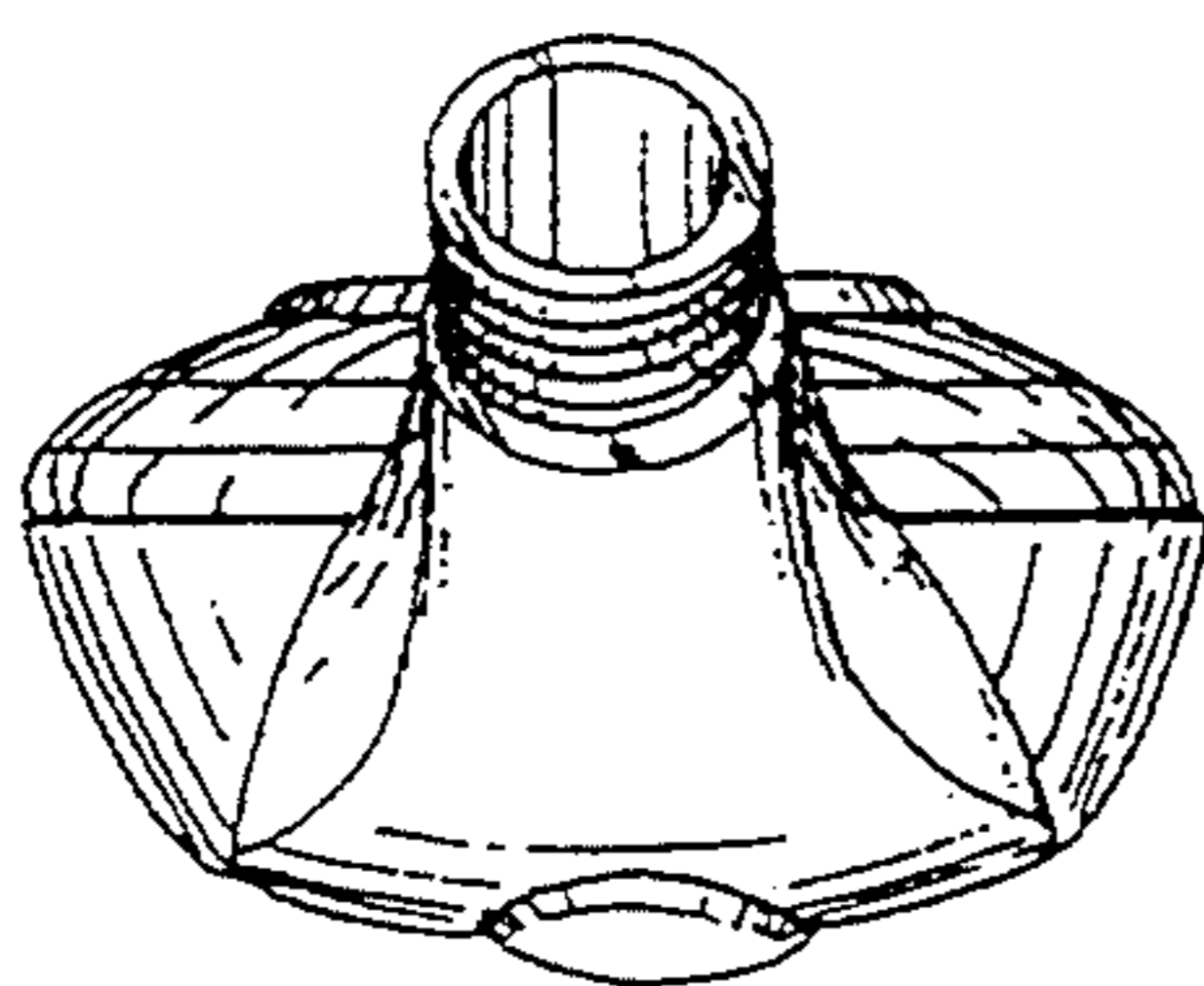
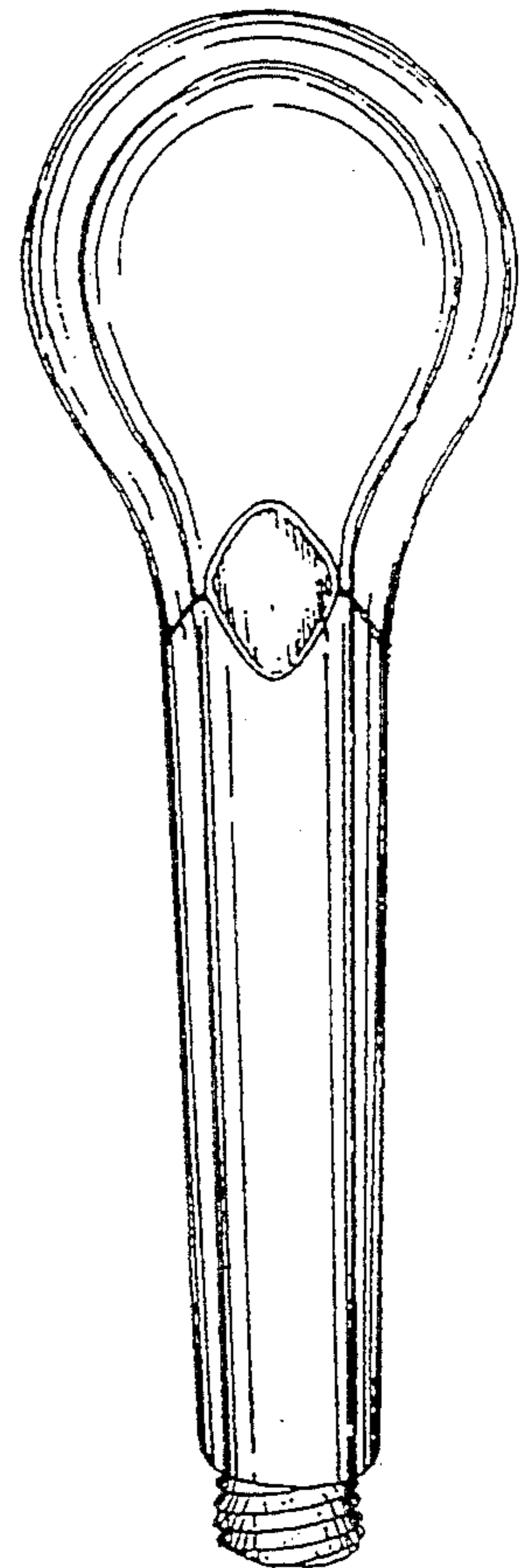


FIG. 12