



US00D361622S

United States Patent [19]

Farley

[11] Patent Number: Des. 361,622

[45] Date of Patent: ** Aug. 22, 1995

[54] SHOWER FILTER HOUSING

[76] Inventor: David K. Farley, c/o Sprite Industries, 1827 Capital St., Corona, Calif. 91720

[**] Term: 14 Years

[21] Appl. No.: 29,746

[22] Filed: Oct. 14, 1994

[52] U.S. Cl. D23/209

[58] Field of Search D23/200, 207; 210/448, 210/460, 198.1, 282, 130, 348, 266, 449; 239/575; 4/615

[56] References Cited

U.S. PATENT DOCUMENTS

314,281 3/1885 Wilson 210/449

3,789,991 2/1974 Krongos 210/449
3,875,055 4/1975 Grosboll 210/266

Primary Examiner—A. Hugo Word
Assistant Examiner—Robin V. Taylor
Attorney, Agent, or Firm—James G. O'Neill

[57] CLAIM

The ornamental design for a shower filter housing, as shown and described.

DESCRIPTION

FIG. 1 is a perspective view of a shower filter housing showing my new design, looking toward the front and top thereof;
FIG. 2 is a front elevational view thereof, the rear and side views thereof being identical to that shown;
FIG. 3 is a top plan view thereof; and,
FIG. 4 is a bottom plan view thereof.

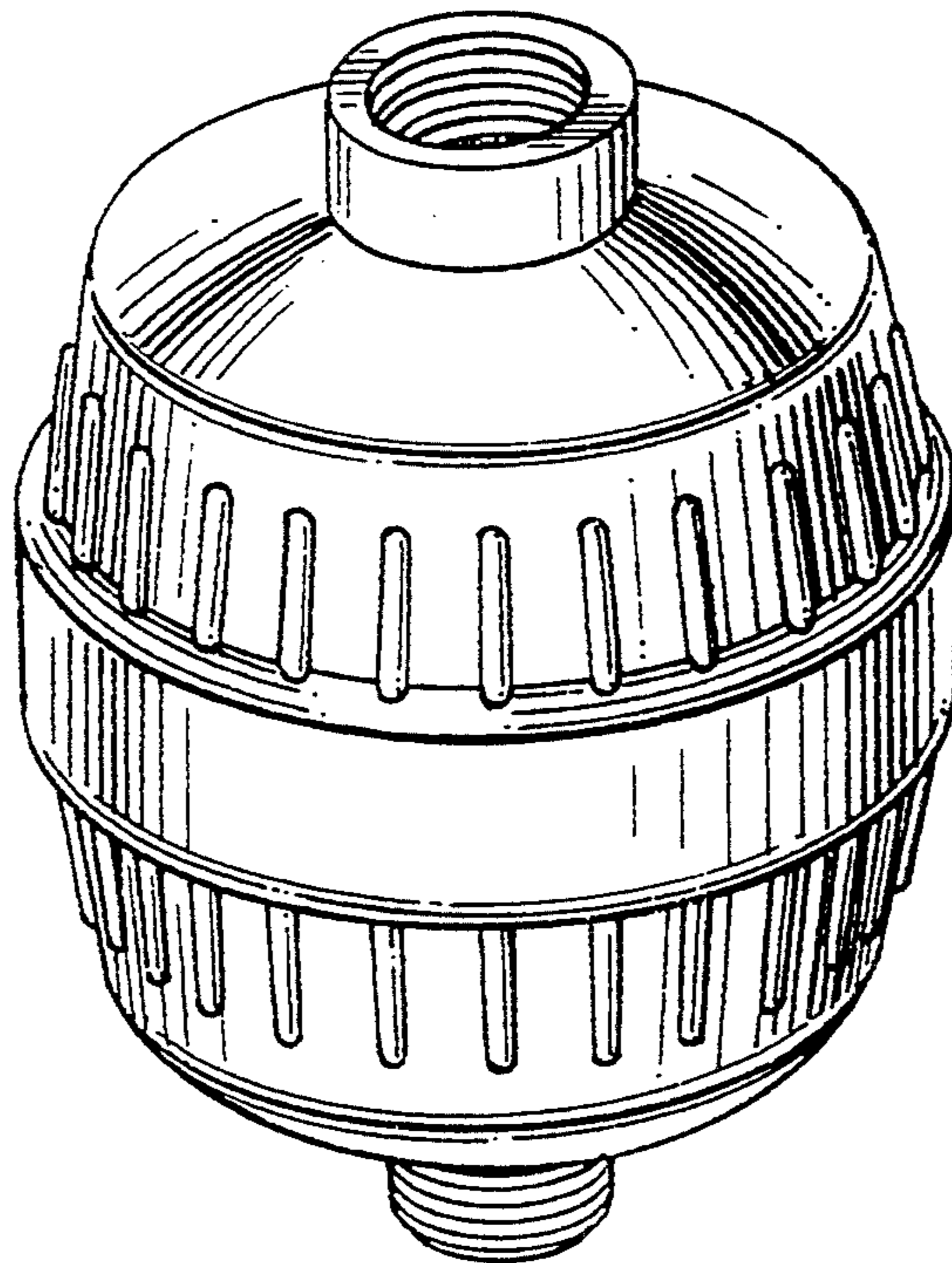


FIG. 1

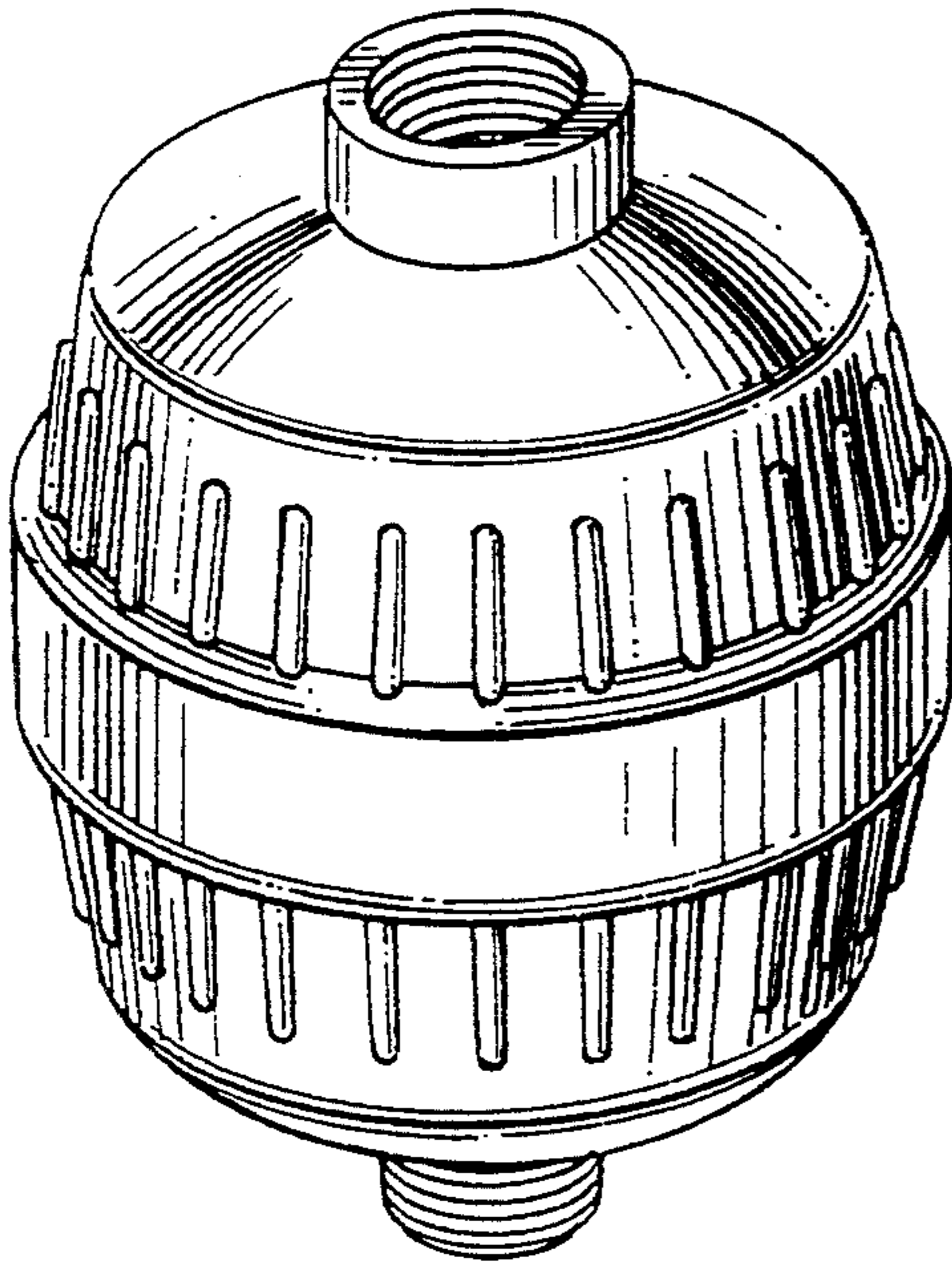


FIG. 2

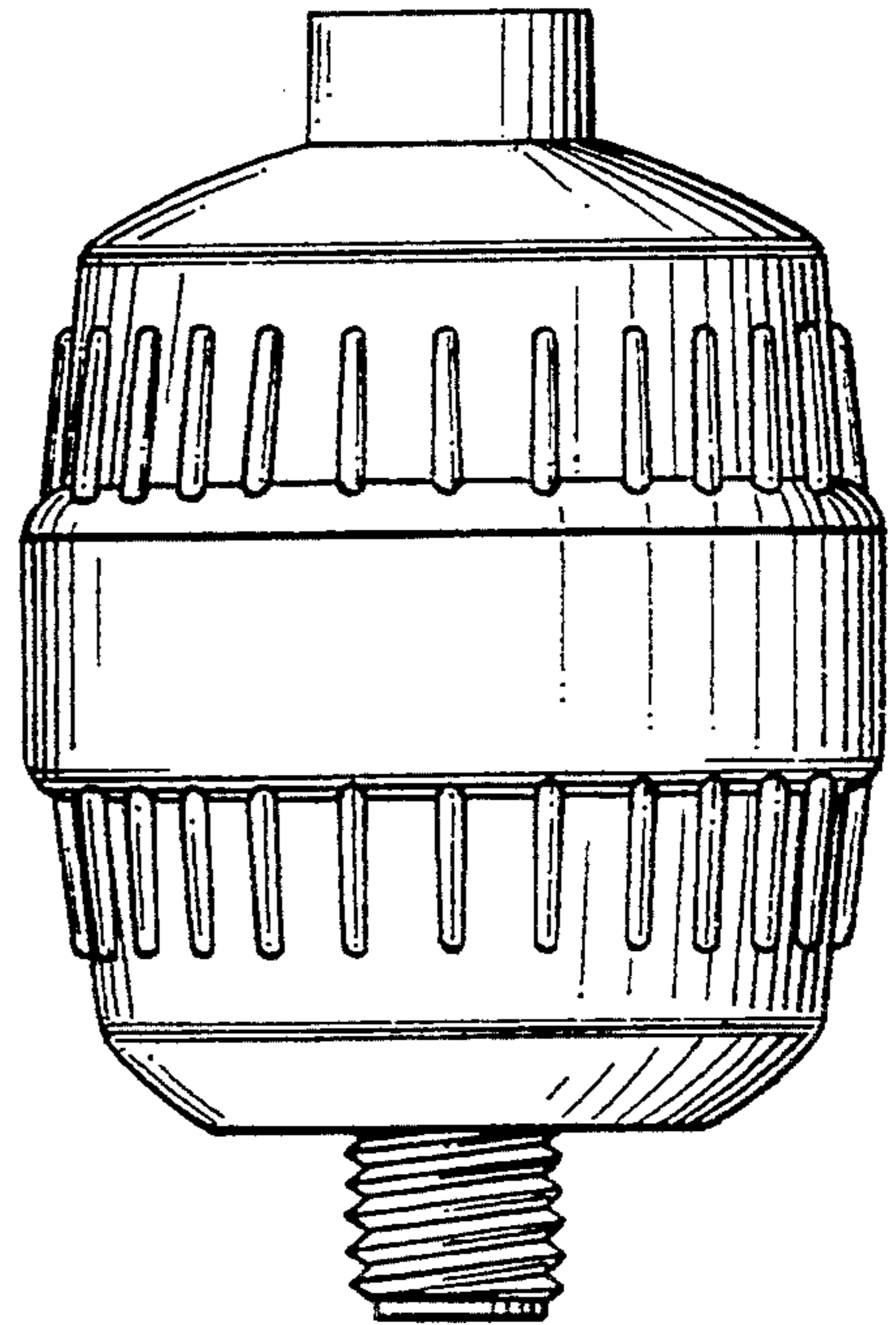


FIG. 3

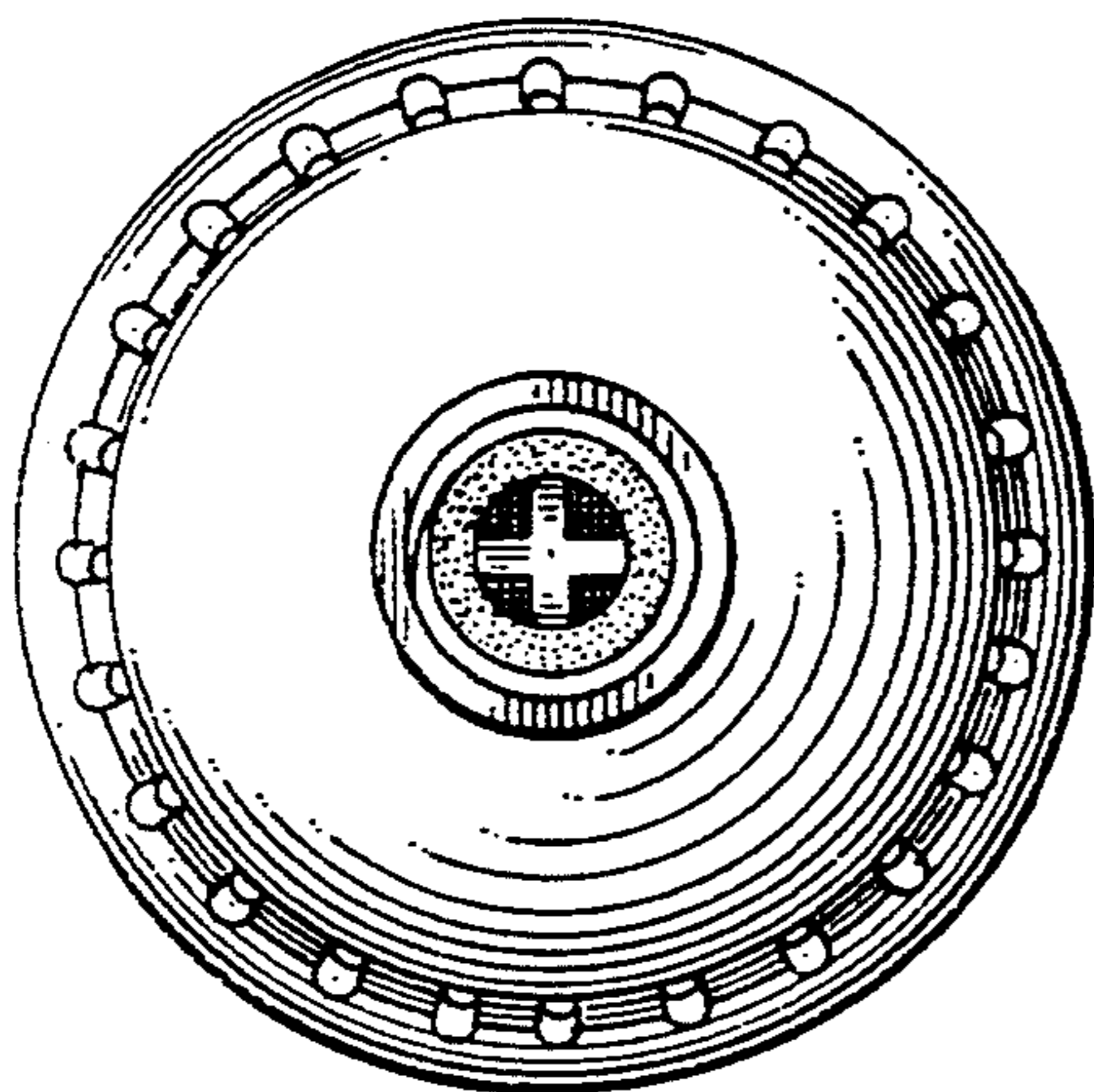


FIG. 4

