



US00D361620S

United States Patent [19]

[11] Patent Number: **Des. 361,620**

Phleps et al.

[45] Date of Patent: **** Aug. 22, 1995**

- [54] **DENTAL INSTRUMENT TABLE**
- [75] Inventors: **Tilman Phleps, Lorsch; Klaus Stoeckl, Bensheim, both of Germany**
- [73] Assignee: **Siemens Aktiengesellschaft, Munich, Germany**
- [**] Term: **14 Years**
- [21] Appl. No.: **26,099**
- [22] Filed: **Jul. 19, 1994**

- D. 218,165 7/1970 Schleicher D24/177
- D. 243,188 1/1977 Meyer D24/177
- D. 288,122 2/1987 McGaha et al. D24/177
- D. 318,114 7/1991 Sibbersky et al. D24/177
- D. 328,791 8/1992 Nordstrom et al. D24/177

Primary Examiner—Melanie H. Tung
Attorney, Agent, or Firm—Hill, Steadman & Simpson

[57] CLAIM

The ornamental design for a dental instrument table, as shown and described.

DESCRIPTION

FIG. 1 is a perspective view taken from the right side of a dental instrument table in accordance with the present invention;

FIG. 2 is a left-side view of the dental instrument table of FIG. 1, with the right-side view being a mirror image thereof;

FIG. 3 is a front elevational view of the dental instrument table of FIG. 1;

FIG. 4 is a rear elevational view of the dental instrument table of FIG. 1;

FIG. 5 is a top plan view of the dental instrument table of FIG. 1; and,

FIG. 6 is a bottom plan view of the dental instrument table of FIG. 1.

Related U.S. Application Data

- [62] Division of Ser. No. 7,826, May 4, 1993, Pat. No. Des. 354,136.

[30] Foreign Application Priority Data

- Nov. 4, 1992 [WO] WIPO DM/001940
- [52] U.S. Cl. **D24/177**
- [58] Field of Search D24/176-179;
433/52-54, 27-28, 25, 103-105, 49, 72, 125, 77,
79

[56] References Cited

U.S. PATENT DOCUMENTS

- D. 204,983 6/1966 Stram et al. D24/177

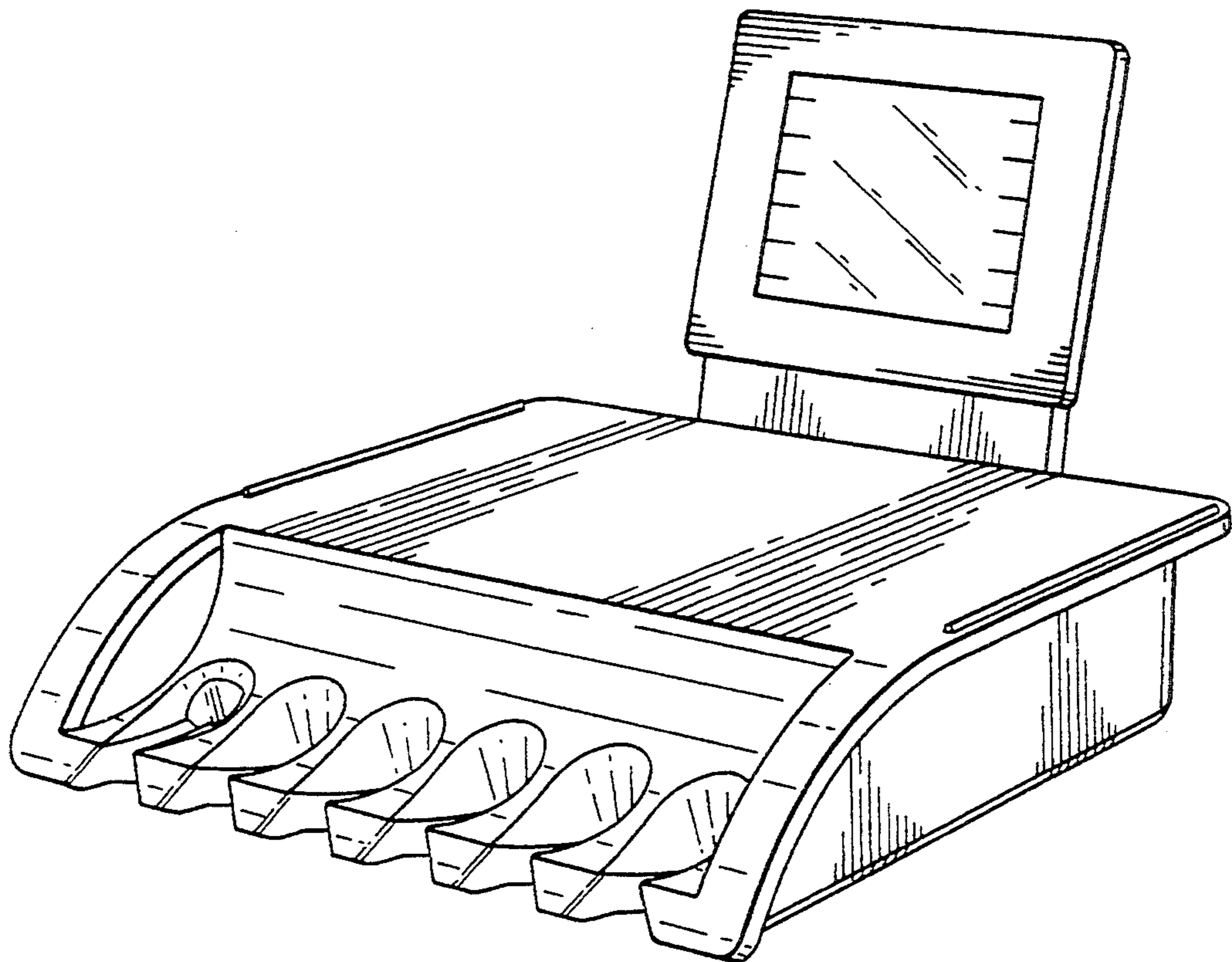


FIG 1

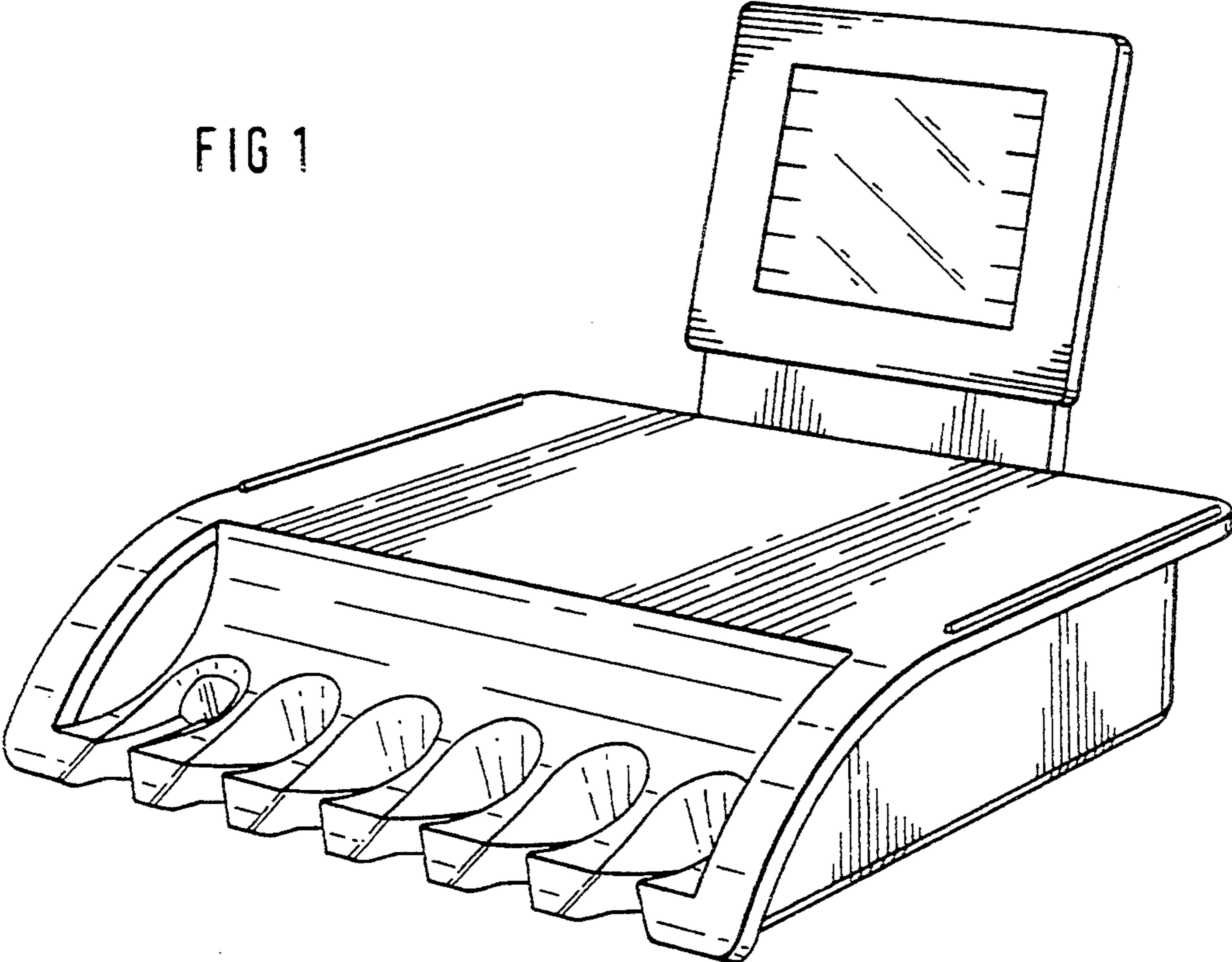
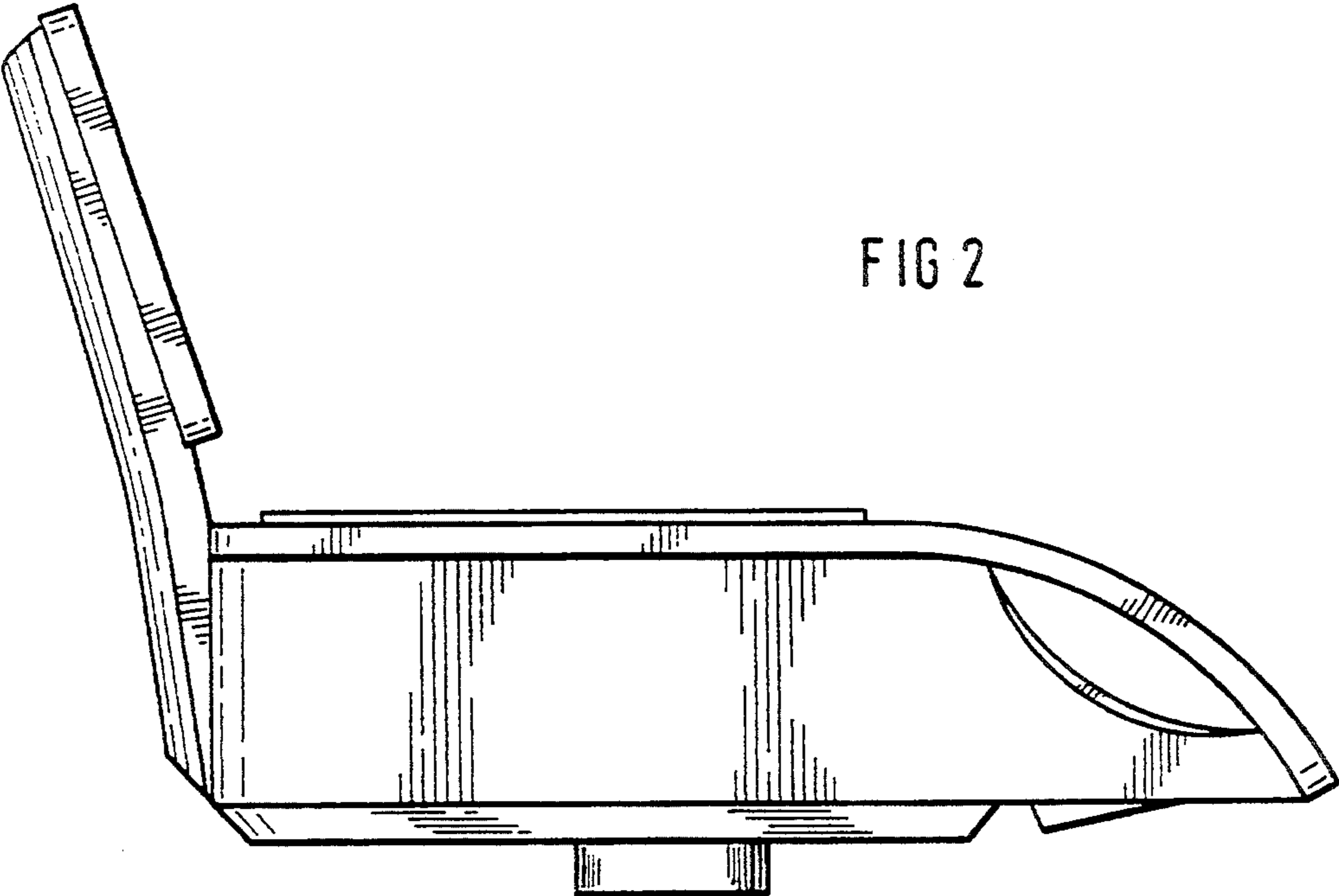
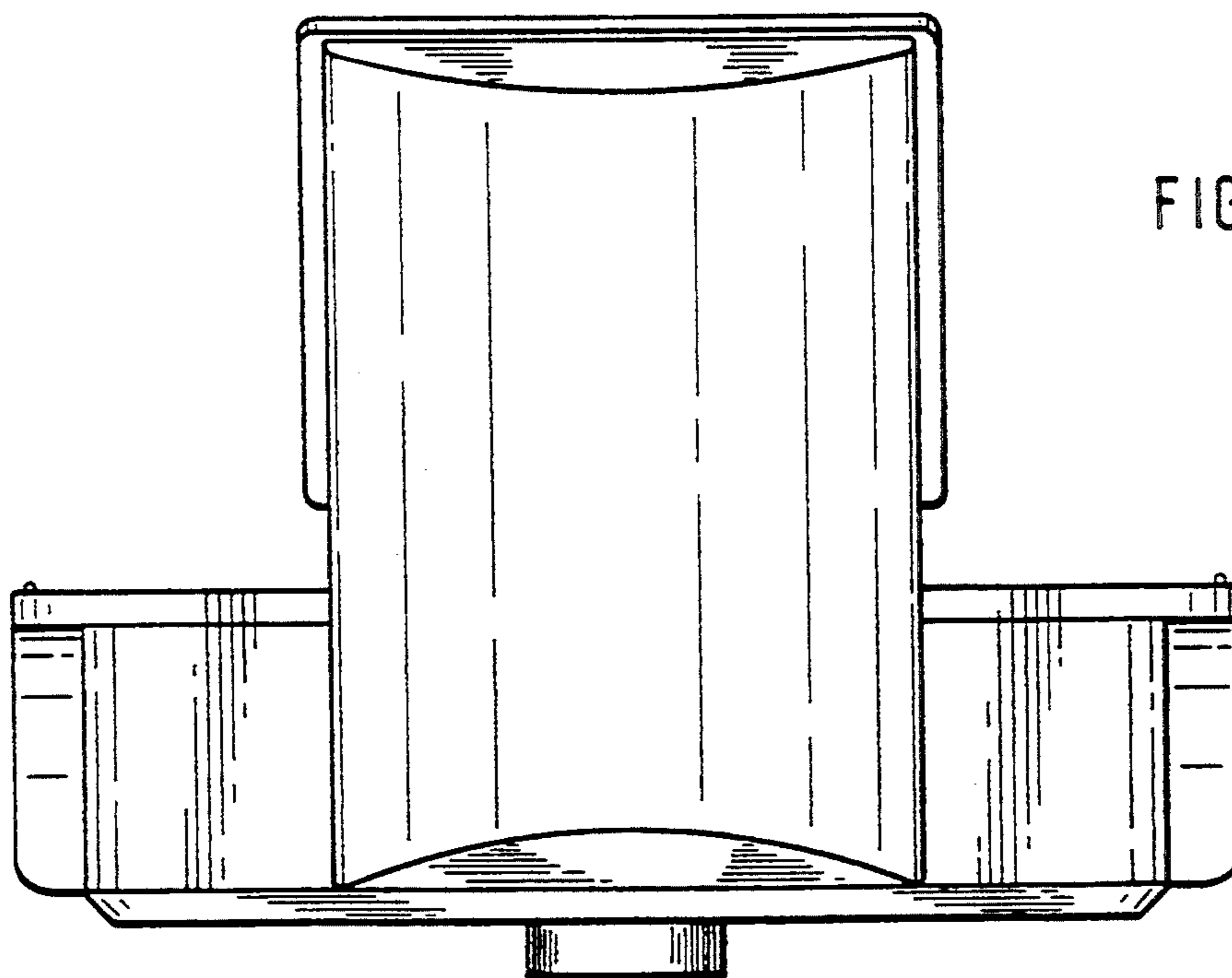
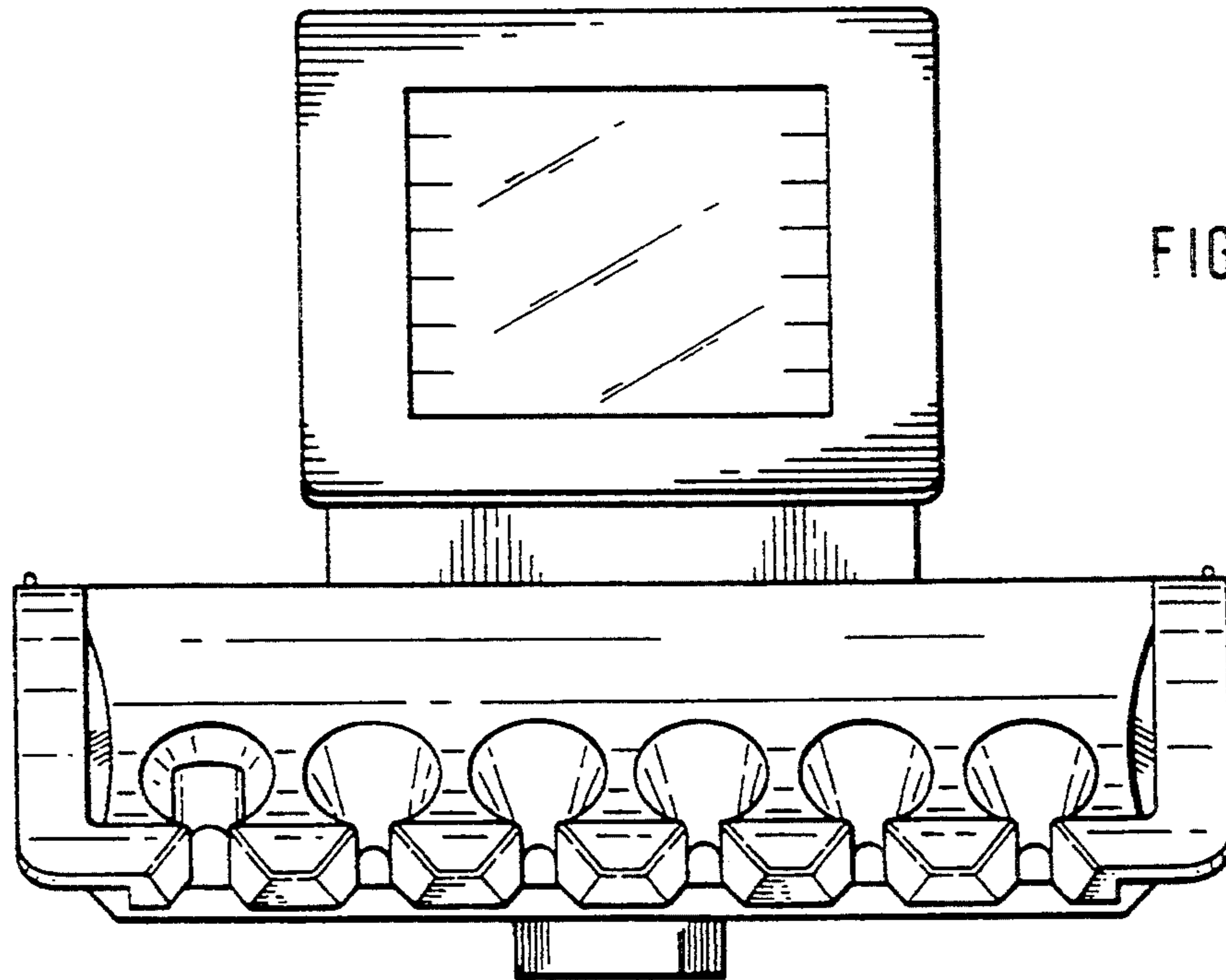


FIG 2





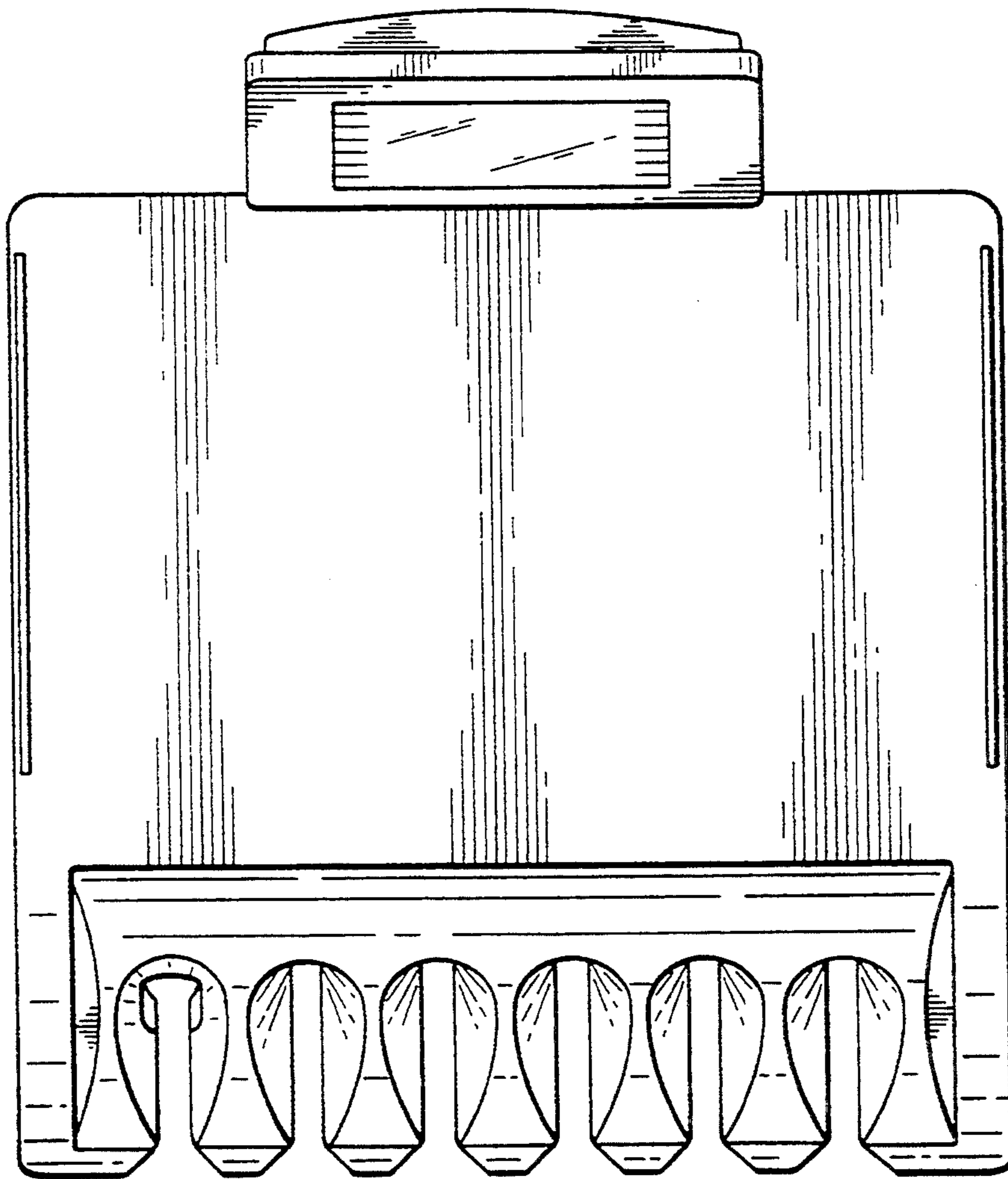


FIG 5

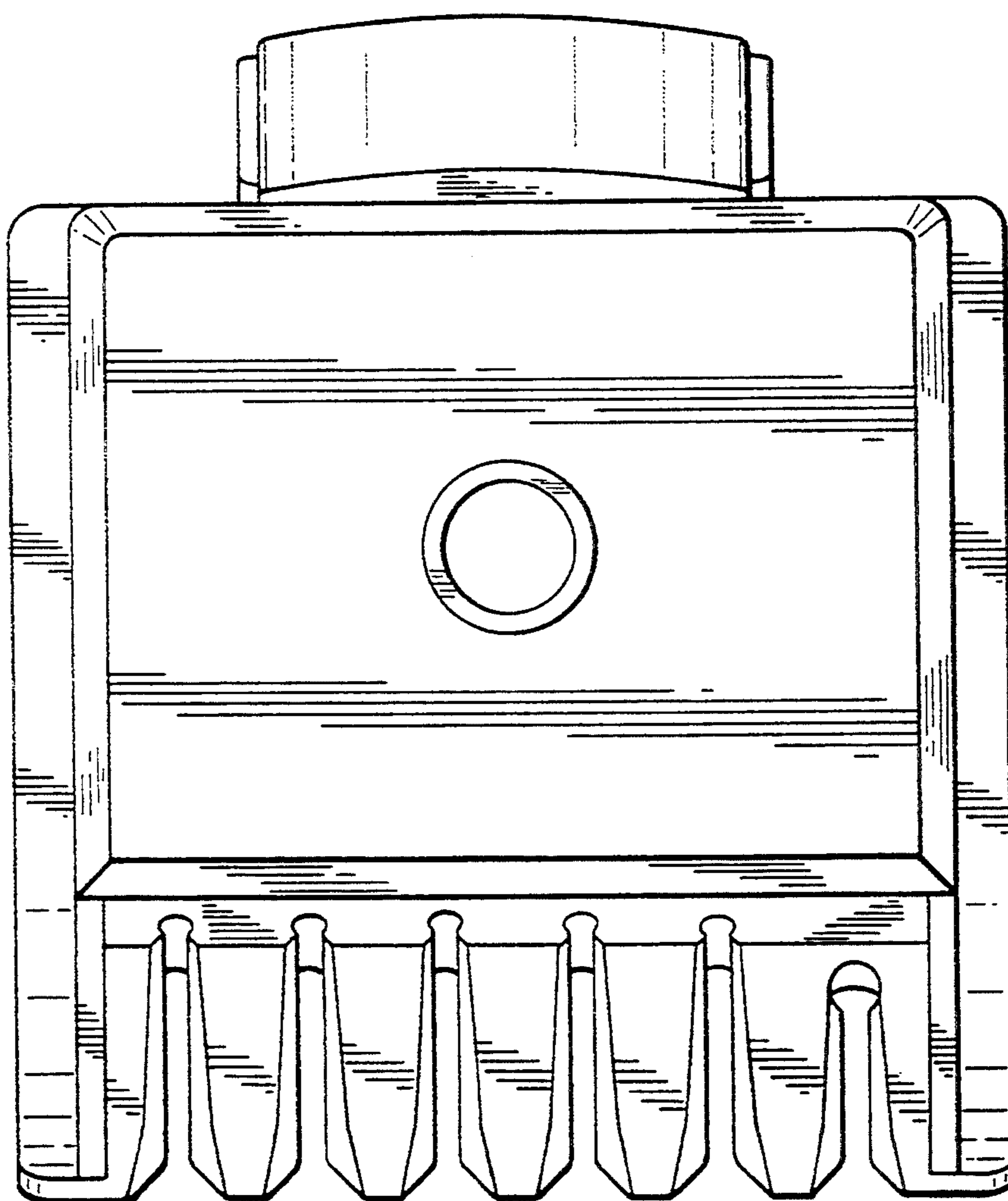


FIG 6