



US00D361614S

United States Patent [19]

[11] Patent Number: **Des. 361,614**

Aker et al.

[45] Date of Patent: **** Aug. 22, 1995**

[54] PLAYGROUND STRUCTURE WITH CIRCULAR SLIDE

[75] Inventors: **Kevin R. Aker**, Hudson, Ohio; **Robert L. Houry**; **Keith D. Ratliff**, both of Farmington, Mo.

[73] Assignee: **The Little Tikes Company**, Hudson, Ohio

[**] Term: **14 Years**

[21] Appl. No.: **14,994**

[22] Filed: **Nov. 8, 1993**

[52] U.S. Cl. **D21/244**

[58] Field of Search D21/240, 244, 245, 109; 482/35; 446/314

[56] References Cited

U.S. PATENT DOCUMENTS

D. 241,664	9/1976	Ewers et al.	D21/245 X
D. 253,363	11/1979	Dieter et al.	D21/244
D. 281,985	12/1985	Spirk et al.	D21/109
D. 281,992	12/1985	Saxman et al.	D21/245
D. 285,585	9/1986	Murdough et al.	D21/108
D. 285,586	9/1986	Murdough et al.	D21/108
D. 285,587	9/1986	Murdough et al.	D21/108
D. 302,198	7/1989	Mercer	D21/245
D. 303,826	10/1989	Aker	D21/244
D. 334,610	4/1993	Aker	D21/244
D. 340,273	10/1993	Ezell	D21/244
D. 343,438	1/1994	Fish, Jr.	D21/244
D. 344,773	3/1994	Aker et al.	D21/244
3,485,494	12/1969	Lieberman	D21/245 X
4,369,965	1/1983	Ahrens	D21/244 X

FOREIGN PATENT DOCUMENTS

534058 3/1993 Germany 482/35

OTHER PUBLICATIONS

Popular Science; Jan. 1989; p. 95; Playground Unit Top of Page.

Pp. 27 and 46, Play activity, Big Toys, 7717 New Market Street, Olympia, Washington 98501. Publication date Jan. 1991.

Pp. 20 and 21, Climber, Burke Company, Inc., P.O. Box 549, 660 Van Dyne Road, Fond du Lac, Wisconsin 54936-0594. Publication date 1992.

Catalog page, Climber, Gametime, Inc., P.O. Box 121, Fort Payne, Alabama 35967. Publication date 1990.

P. 45, Climber, Gametime, Inc., P.O. Box 121, Fort Payne, Alabama 35967. Publication date 1990.

Catalog page, Climber, Gametime, Inc., P.O. Box 121, Fort Payne, Alabama 35967. Publication date 1992.

Pp. 6 and 7, Climber, Gametime, Inc., P.O. Box 121, Fort Payne, Alabama 35967. Publication date 1991.

Catalog page, Climber, Play Designs, P.O. Box 427, 315 Cherry Street, New Berlin, Pennsylvania 17855. Publication date 1992.

P. 69, Climber, Kompan, Inc., R.D. #2, Box 249, Marathon, New York 13803. Publication date 1991.

Pp. 16 and 17, Climber, Landscape Structures, Inc., 601 7th Street South, Delano, Minnesota 55328. Publication date Dec., 1992.

P. 11, Climber, Play Designs, P.O. Box 427, 315 Cherry Street, New Berlin, Pennsylvania 17855. Publication date 1992.

P. 16, Play structure, Quality Industries, Inc., Hillsdale Industrial Park, P.O. Box 765, Hillsdale, Michigan 49242-0765. It is believed that the product depicted herein has been on sale for more than one (1) year prior to the application date of this instant application.

Pp. 14, 15, 17, 19 and 24, Playground structures; Iron Mountain Forge, P.O. Box 897, One Iron Mountain Drive, Farmington, Mo. 63640-8097. Publication date 1992.

Primary Examiner—Bernard Ansher

Assistant Examiner—Mitchell I. Siegel

Attorney, Agent, or Firm—Richard B. O'Planick; Lisa B. Riedesel

[57] CLAIM

The ornamental design for a playground structure with circular slide, as shown and described.

DESCRIPTION

FIG. 1 is a top left front perspective view of a playground structure with circular slide showing our new design;

FIG. 2 is a front elevational view thereof;

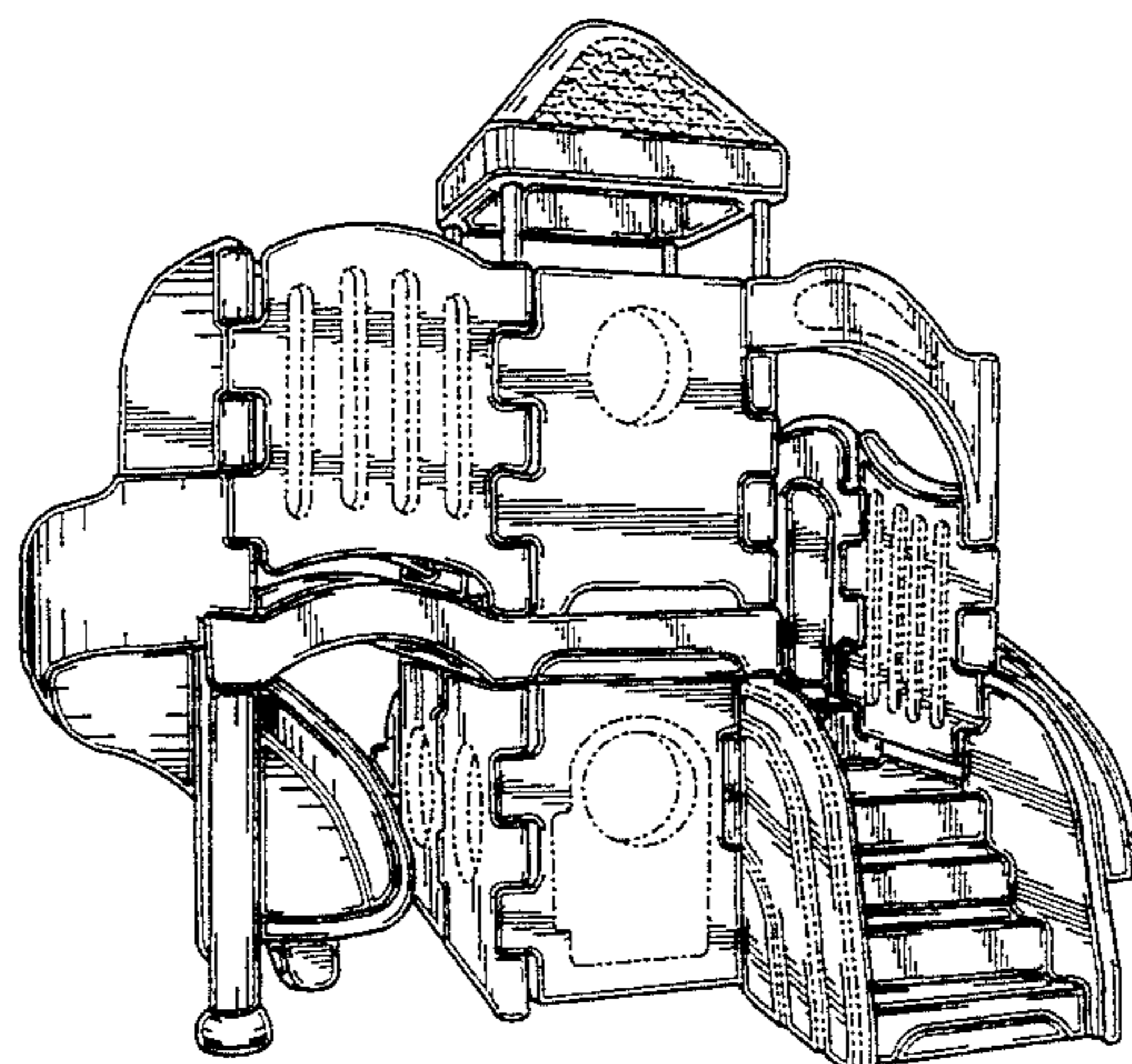
FIG. 3 is a right side elevational view thereof;

FIG. 4 is a rear elevational view thereof;

FIG. 5 is a left side elevational view thereof; and,

FIG. 6 is a top plan view thereof.

The broken line showing of openings are for illustrative purposes only and forms no part of the claimed design.



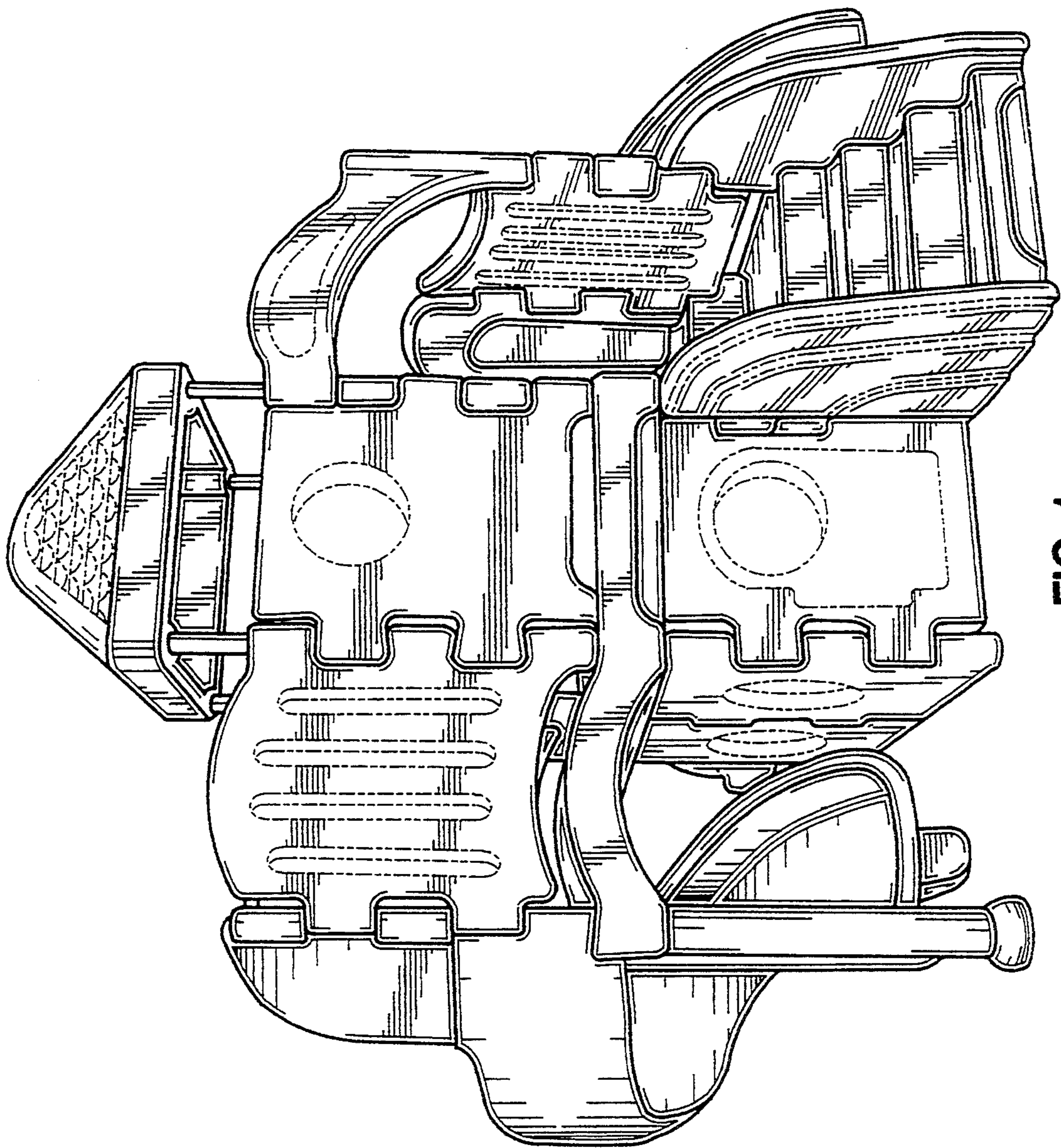


FIG. 1

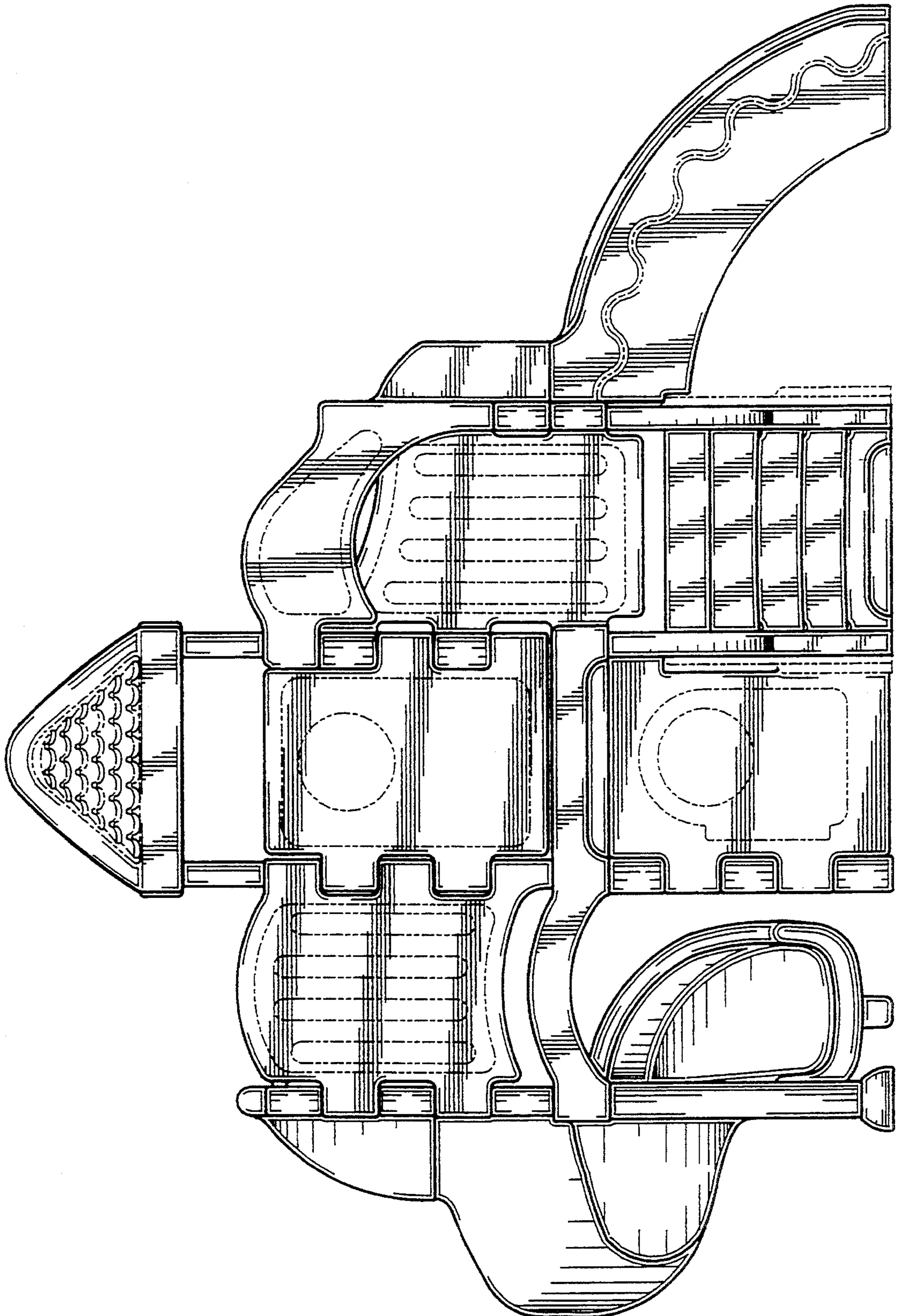


FIG. 2

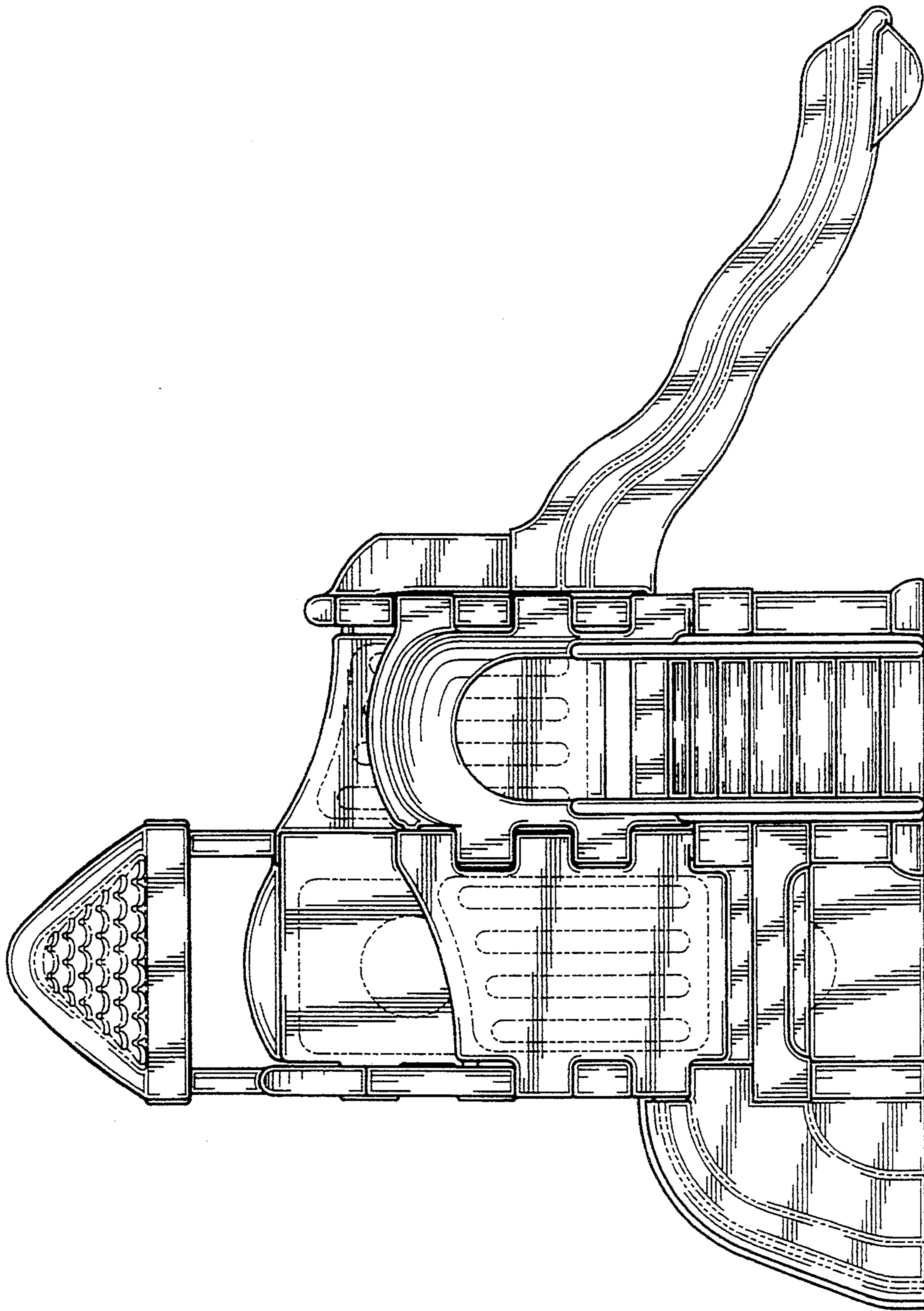


FIG. 3

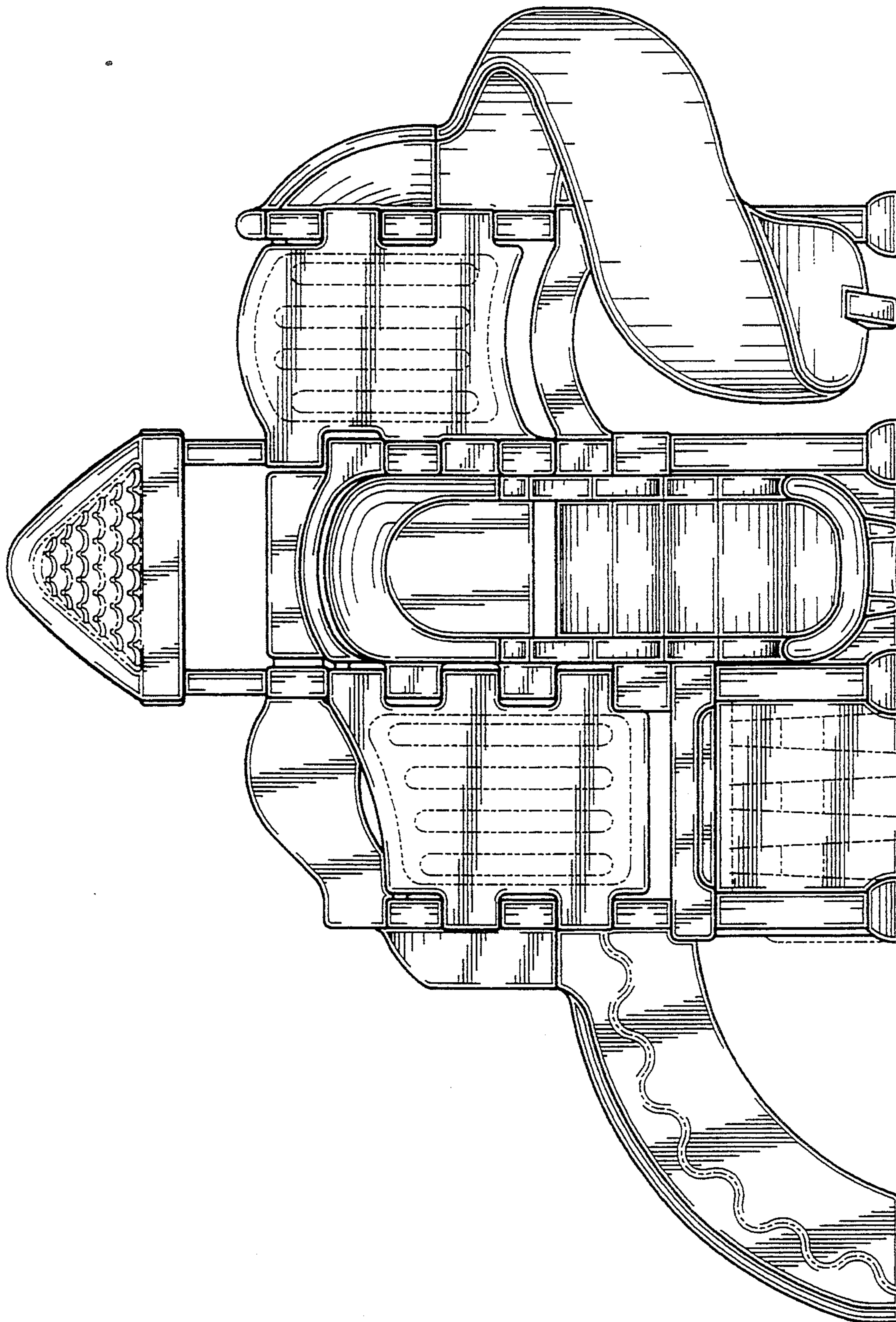


FIG. 4

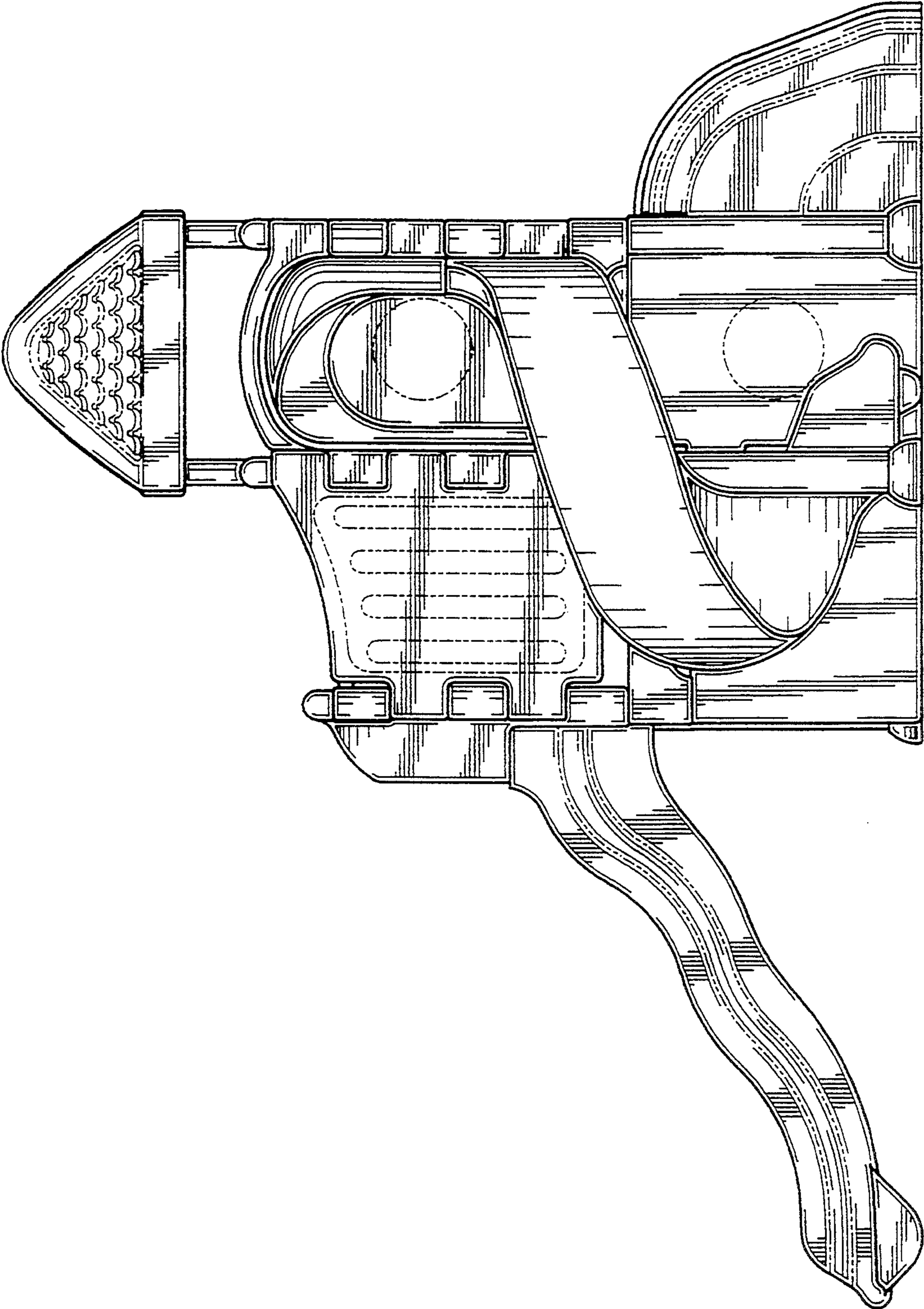


FIG. 5

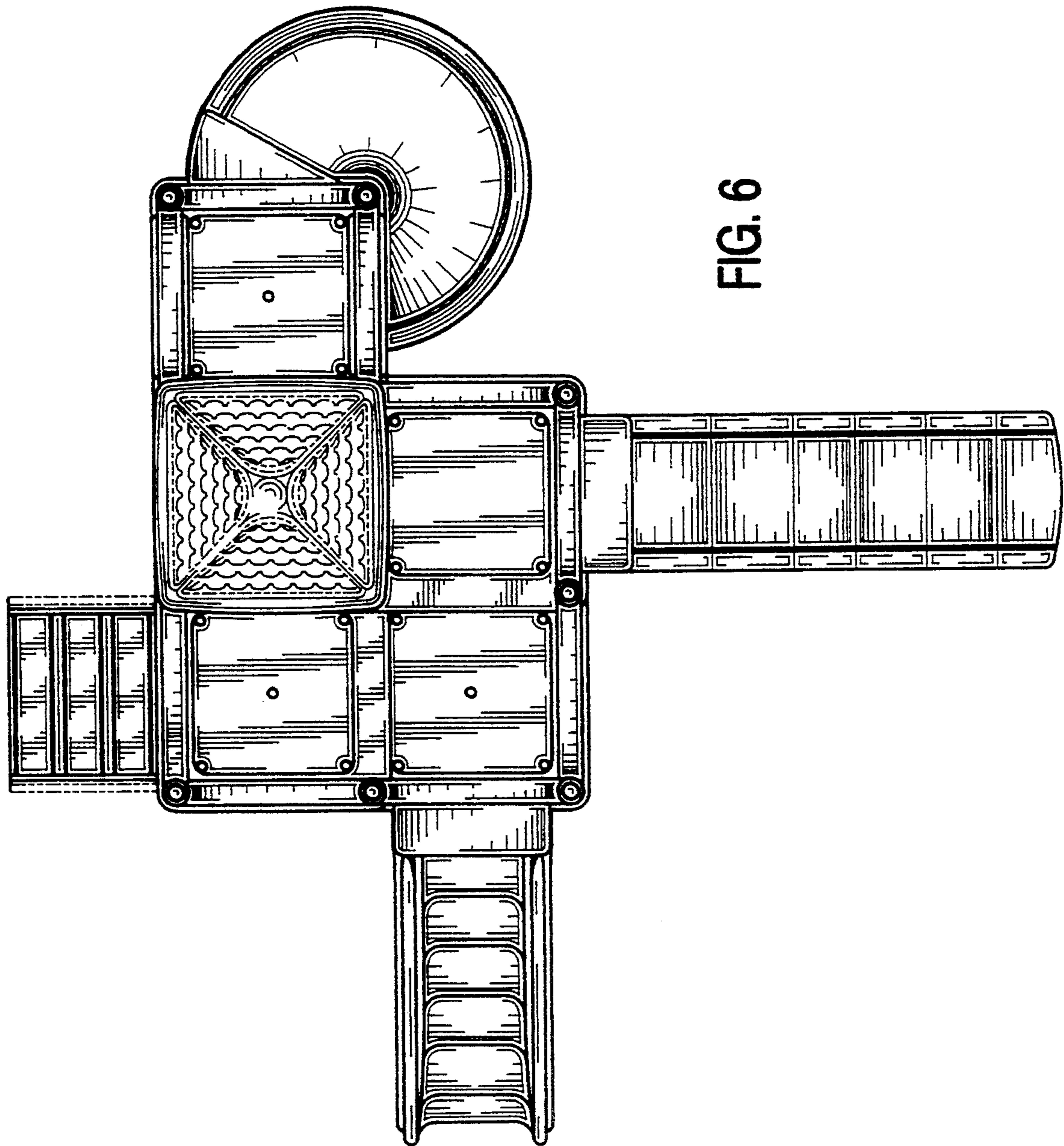


FIG. 6