



US00D361613S

United States Patent [19]

[11] Patent Number: **Des. 361,613**

Thomas

[45] Date of Patent: **** Aug. 22, 1995**

[54] **HAND POSITIONING GUIDE FOR A GOLF CLUB**

[75] Inventor: **Carlisle A. Thomas**, Kalamazoo, Mich.

[73] Assignee: **Thomas Industries, Inc.**, Kalamazoo, Mich.

[**] Term: **14 Years**

[21] Appl. No.: **26,170**

[22] Filed: **Jul. 21, 1994**

[52] U.S. Cl. **D21/234**

[58] Field of Search **D21/234; 273/81 D, 81 R, 273/81.2, 81.4, 80 R, 165, 187.5, 188 R**

[56] **References Cited**

U.S. PATENT DOCUMENTS

D. 290,150	6/1987	Stewart	D21/234
D. 348,712	7/1994	Parker, Jr.	D21/234 X
4,861,034	8/1989	Lee	273/81.4 X
5,042,811	8/1991	D'Amico	273/165
5,299,802	4/1994	Bouchet-Lassale	273/81 D X

Primary Examiner—Theodore M. Shooman
Assistant Examiner—Cheri Cohen
Attorney, Agent, or Firm—Flynn, Thiel, Boutell & Tanis

[57] **CLAIM**

The ornamental design of a hand positioning guide for a golf club, as shown and described.

DESCRIPTION

FIG. 1 is a pictorial view of a hand positioning guide for a golf club showing my design attached to a golf club handle;

FIG. 2 is an enlarged rear end view of my FIG. 1 design, omitting the handle;

FIG. 3 is a front view of my FIG. 2 design;

FIG. 4 is a left side view thereof;

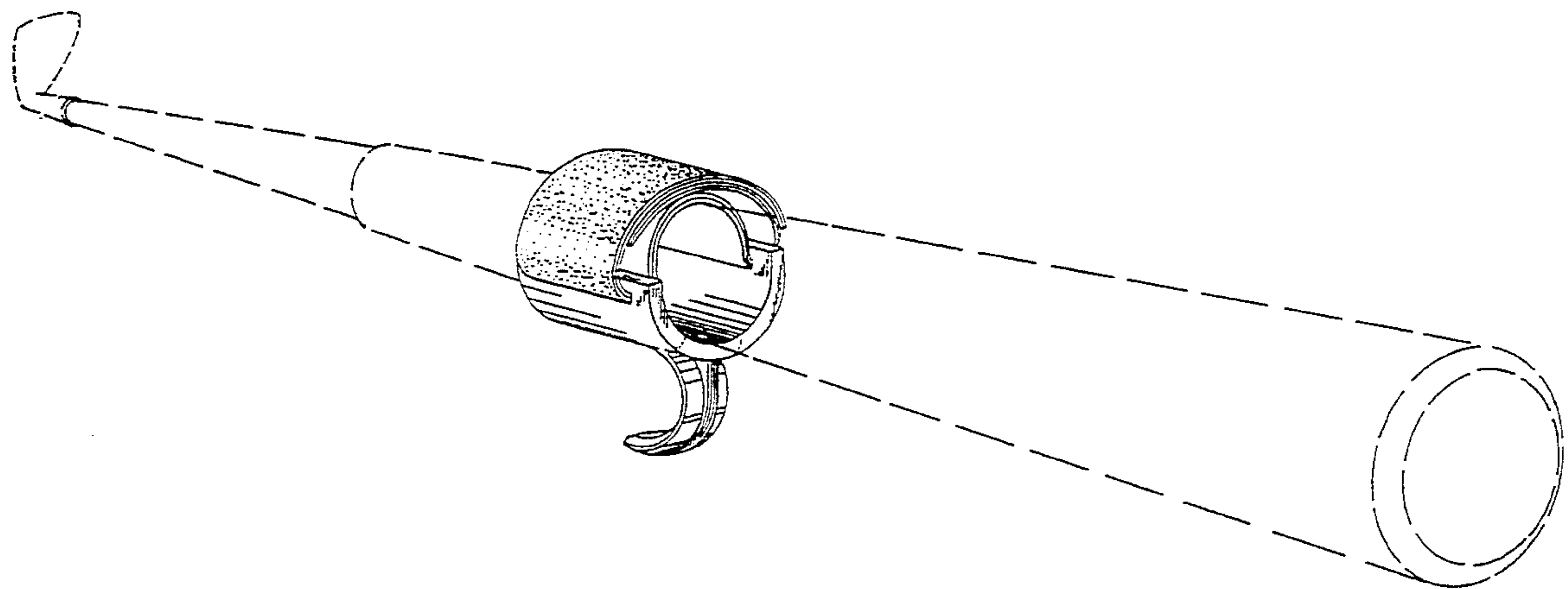
FIG. 5 is a right side view thereof;

FIG. 6 is a top view thereof;

FIG. 7 is a bottom view thereof; and,

FIG. 8 is a view similar to FIG. 2 but with the strap released.

The broken line showing of the golf club is for illustrated purposes only and forms no part of the claimed design.



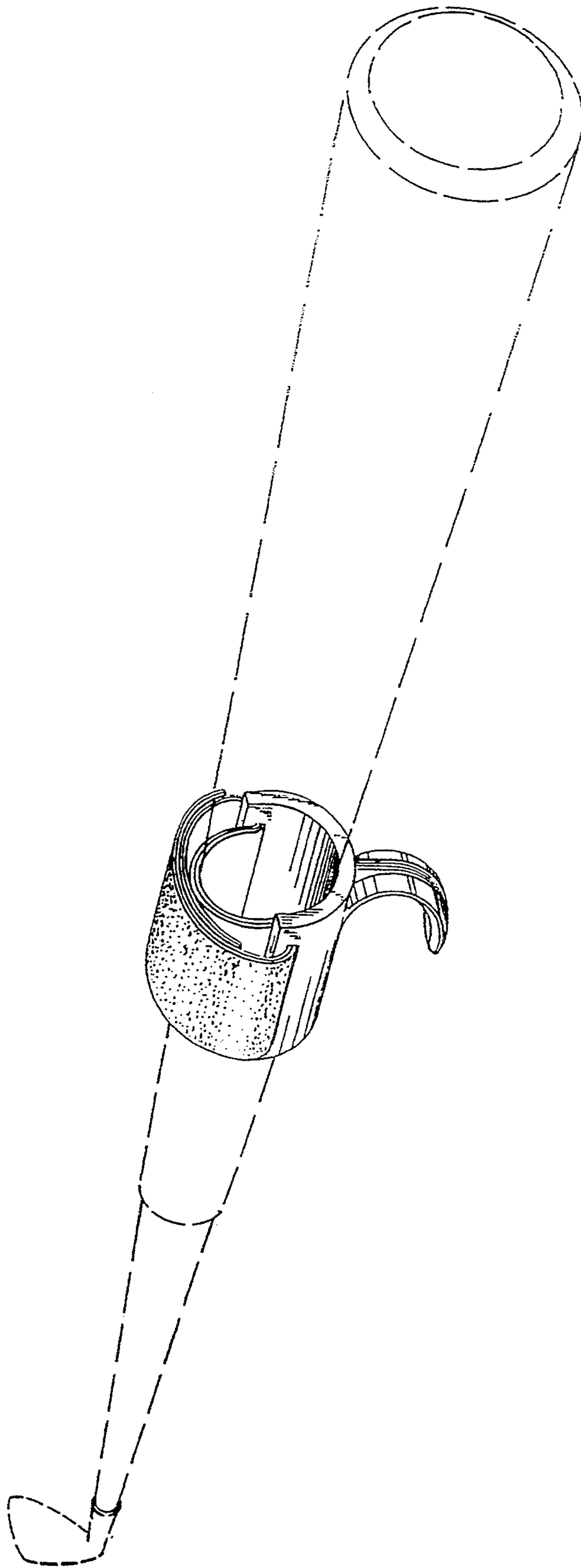


FIG. 1

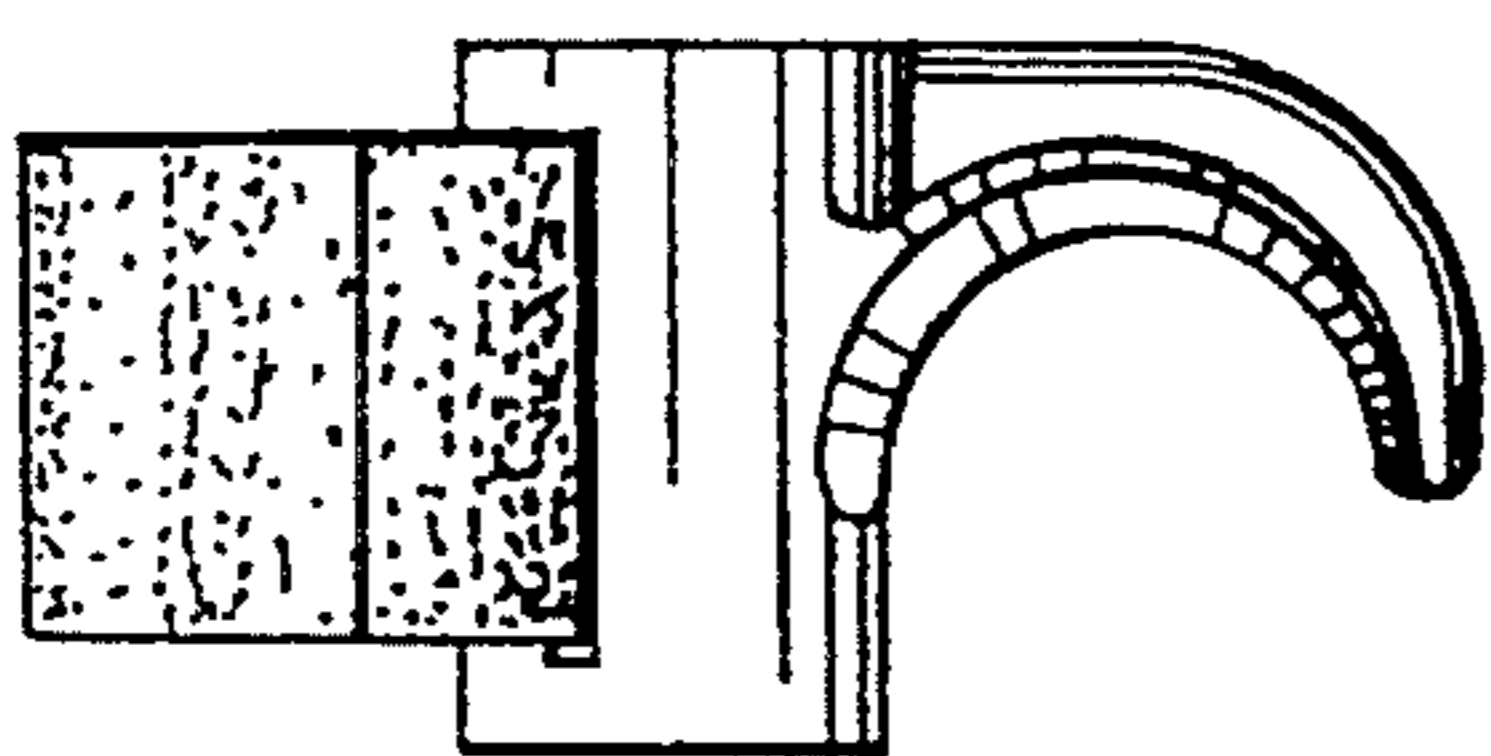


FIG. 4

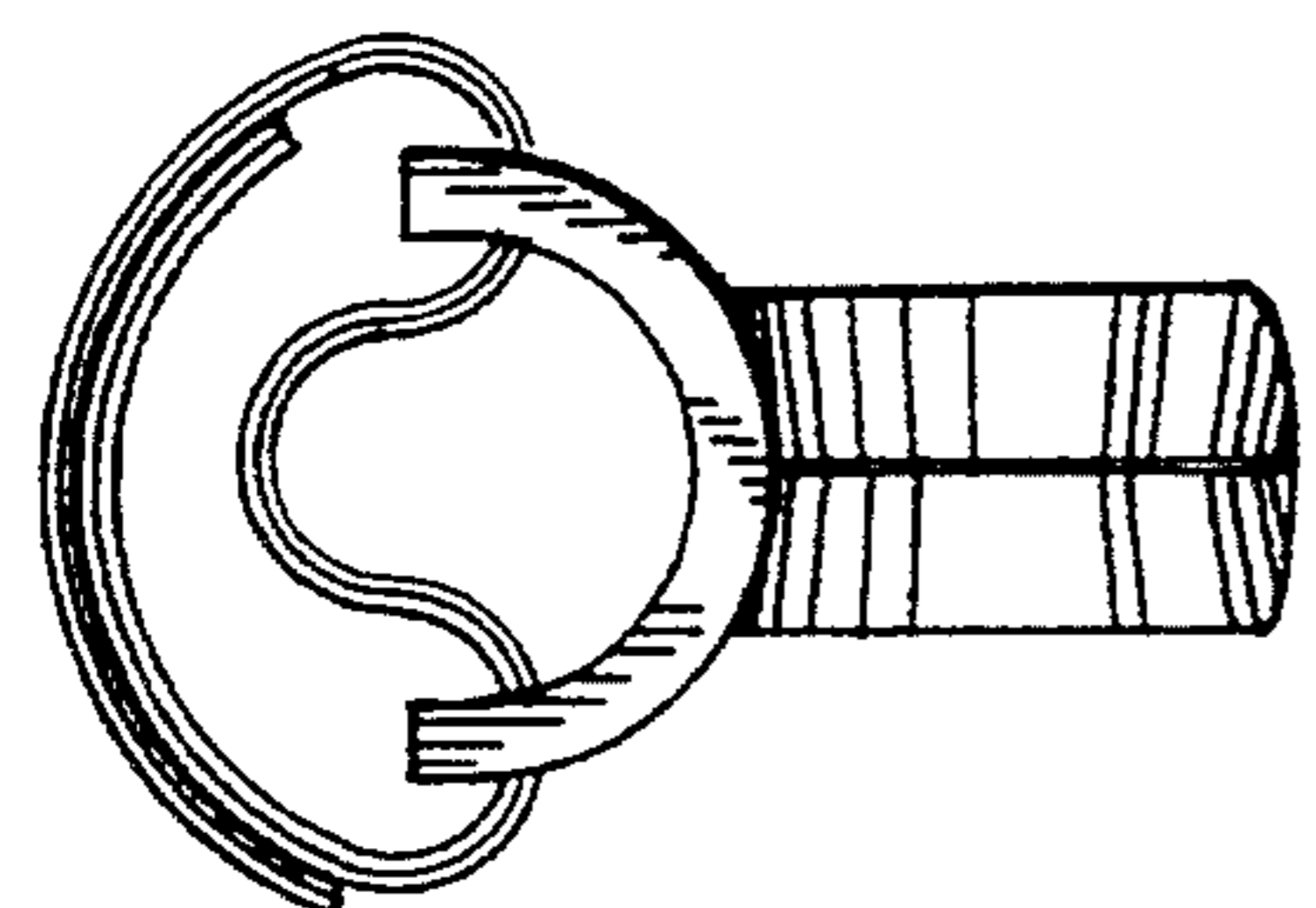


FIG. 3

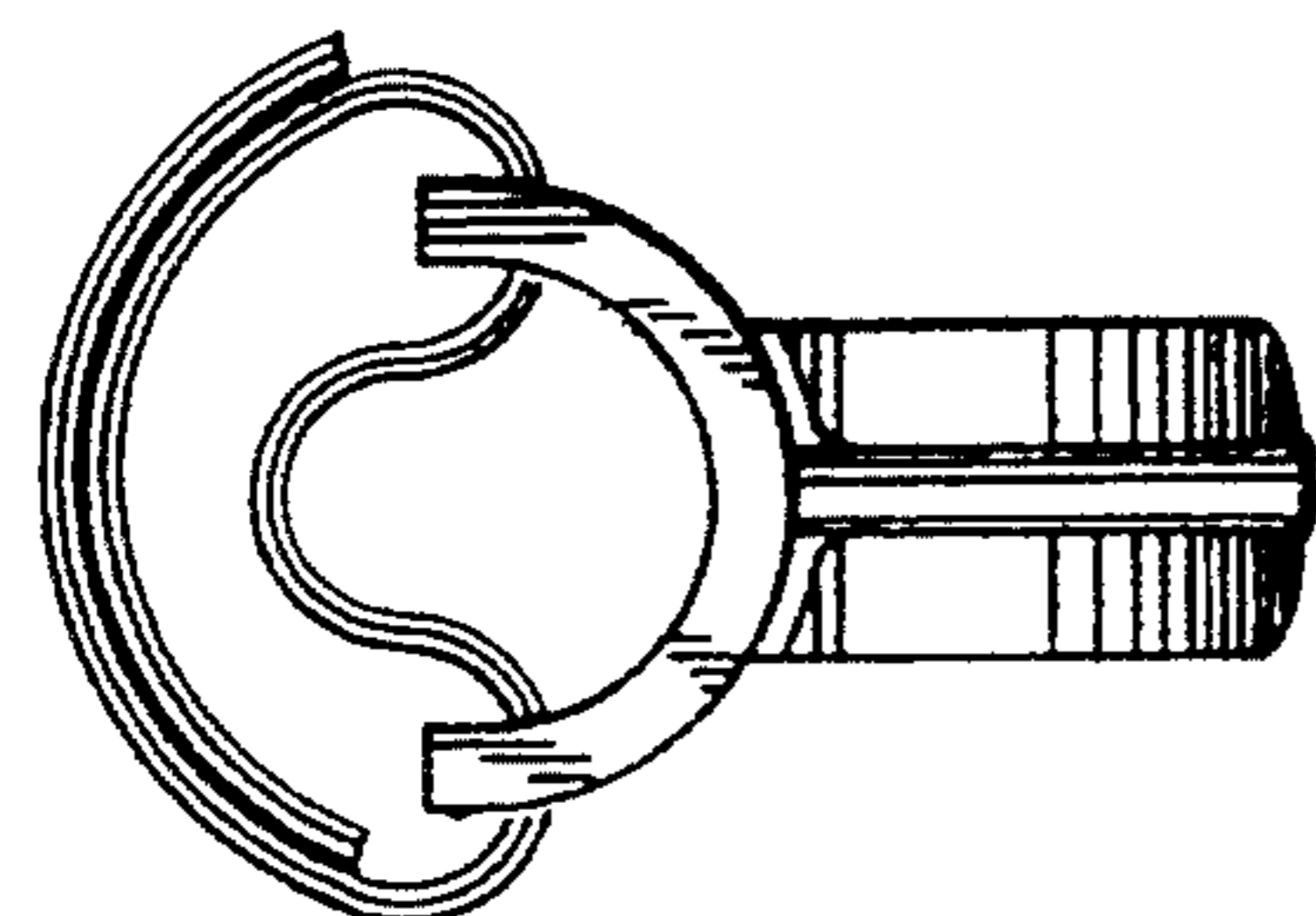


FIG. 2

FIG. 7

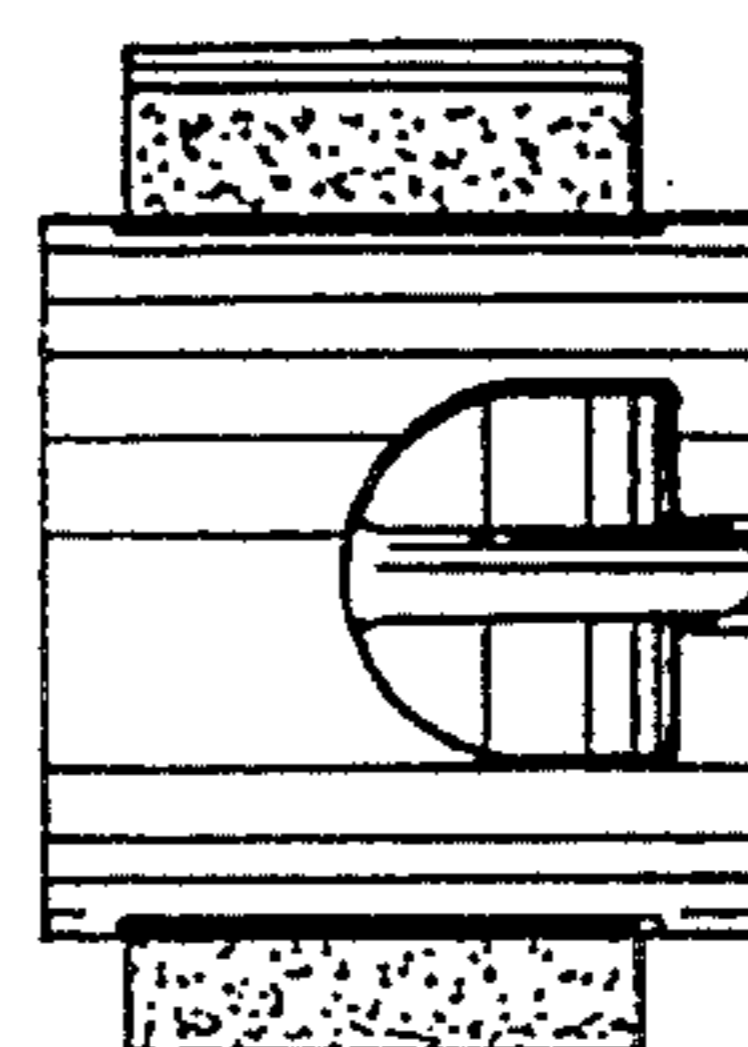


FIG. 6

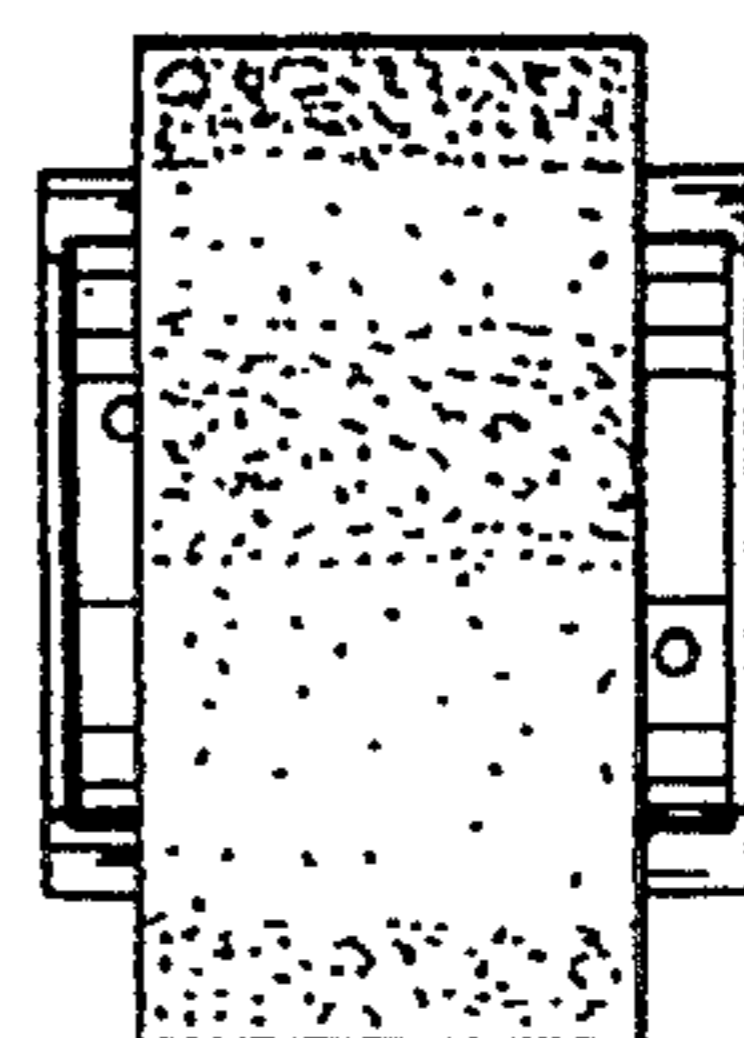
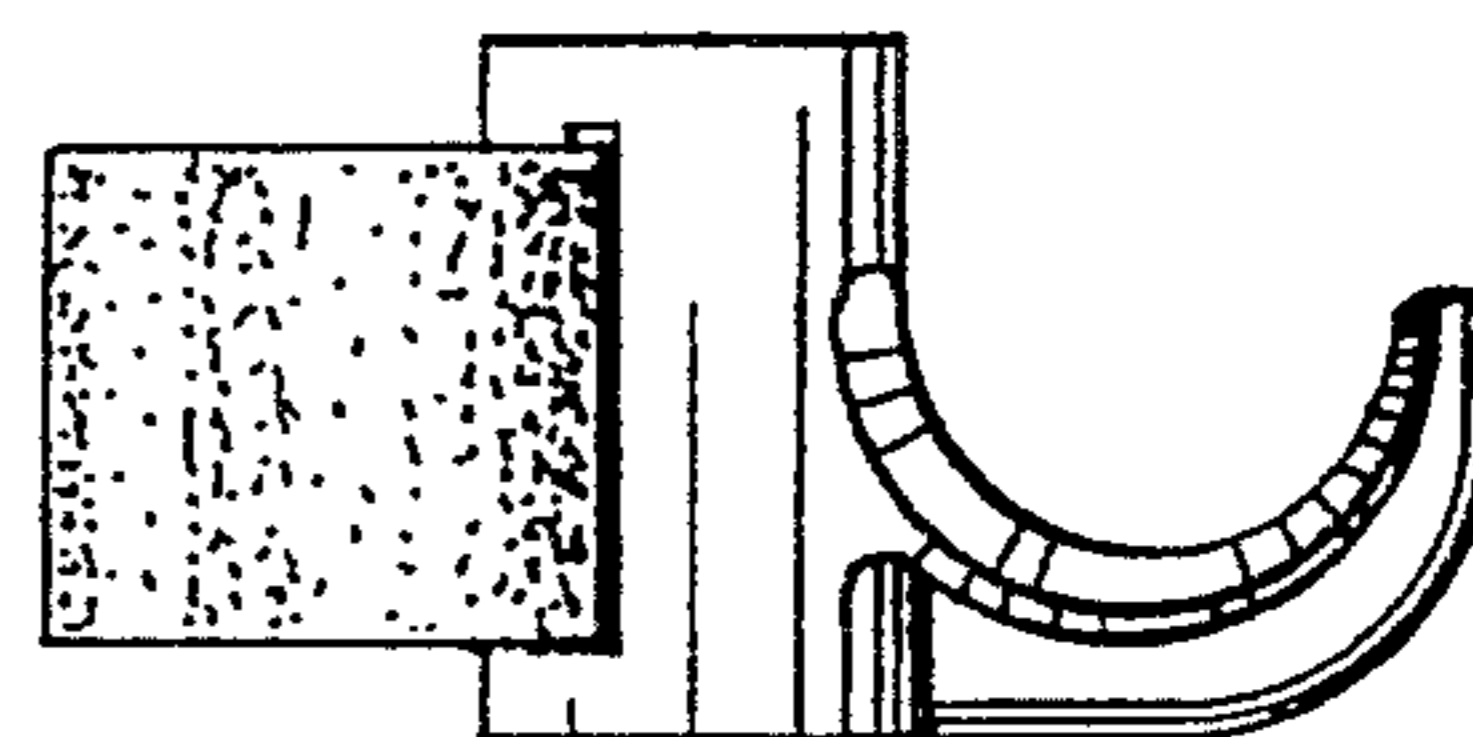


FIG. 5



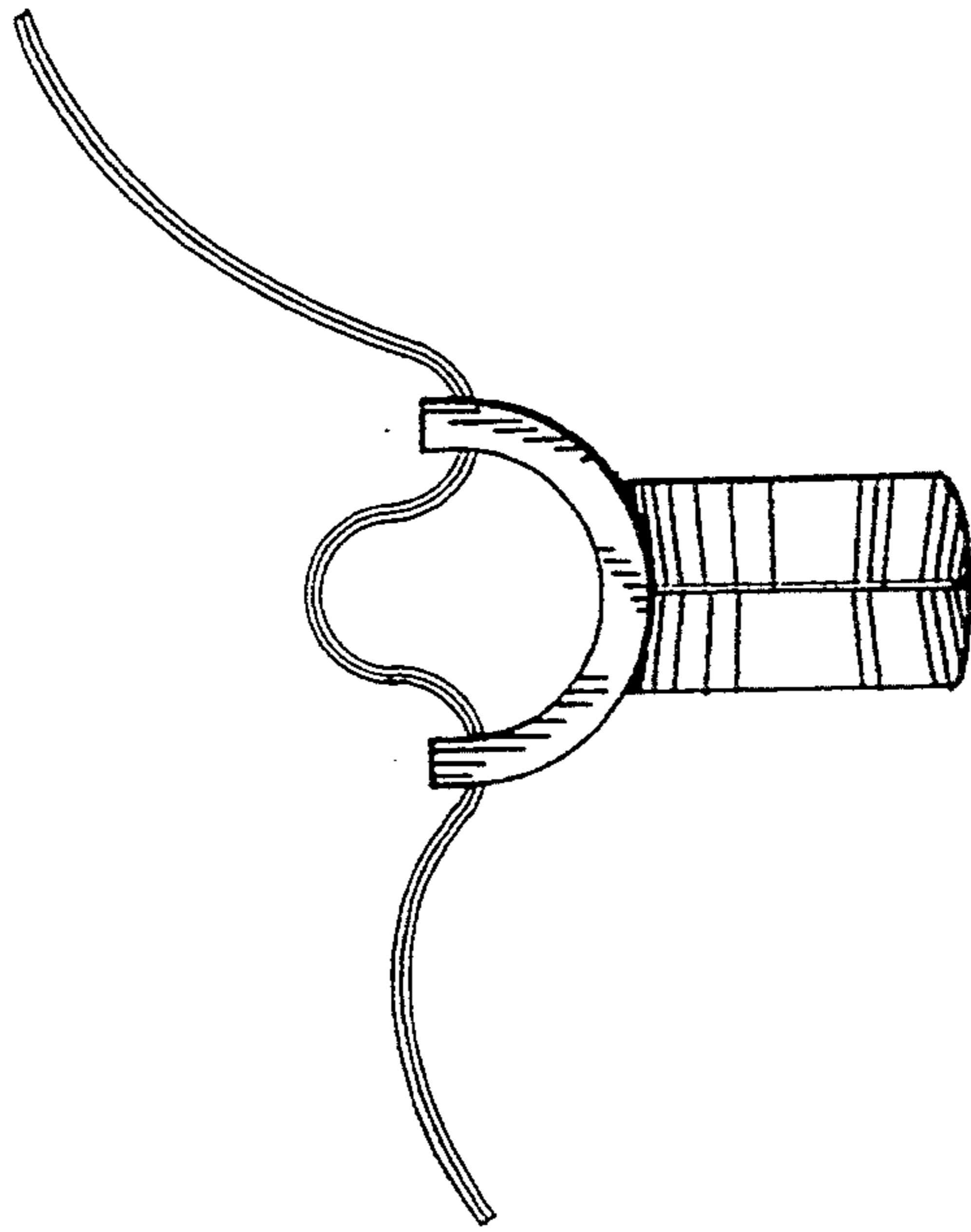


FIG. 8