



US00D361604S

# United States Patent [19] Stroppiana

[11] Patent Number: **Des. 361,604**

[45] Date of Patent: **\*\* Aug. 22, 1995**

[54] **JUMPING BALL**

[75] Inventor: **Fiorindo Stroppiana**, Gallo D'Alba, Italy

[73] Assignee: **Mondo S.P.A.**, Gallo D'Alba, Italy

[\*\*] Term: **14 Years**

[21] Appl. No.: **22,745**

[22] Filed: **May 11, 1994**

[30] **Foreign Application Priority Data**

Nov. 16, 1993 [IT]	Italy	.....	DMA/002355
[52] U.S. Cl.	.....	<b>D21/66;</b>	<b>D21/67</b>
[58] Field of Search	.....	<b>D21/66, 67;</b>	<b>482/77;</b>
			<b>472/135</b>

[56] **References Cited**

**U.S. PATENT DOCUMENTS**

D. 148,515	2/1948	Bausenbach	.....	D21/67
3,167,312	1/1965	Blanchard	.....	428/77 X
3,328,028	6/1967	Williams	.....	D21/67 X
3,627,314	12/1971	Brown	.....	428/77
3,773,320	11/1973	Samiran et al.	.....	428/77

**FOREIGN PATENT DOCUMENTS**

370108	4/1932	United Kingdom	.
659280	10/1951	United Kingdom	.
978468	7/1970	United Kingdom	.
1297837	11/1972	United Kingdom	.
1325588	8/1973	United Kingdom	.
2226769	7/1990	United Kingdom	.

**OTHER PUBLICATIONS**

Advertisement—"Pogo Bop", Vivid Imaginations, Middlesex, England.

*Primary Examiner*—Dominic Simone  
*Attorney, Agent, or Firm*—Roylance, Abrams, Berdo & Goodman

[57] **CLAIM**

The ornamental design for a jumping ball, as shown and described.

**DESCRIPTION**

FIG. 1 is a top front perspective view of a jumping ball showing my new design;  
 FIG. 2 is a front elevational view thereof, the rear being a mirror image;  
 FIG. 3 is a right side elevational view thereof, the left side being a mirror image;  
 FIG. 4 is a top plan view thereof; and,  
 FIG. 5 is a bottom plan view thereof.

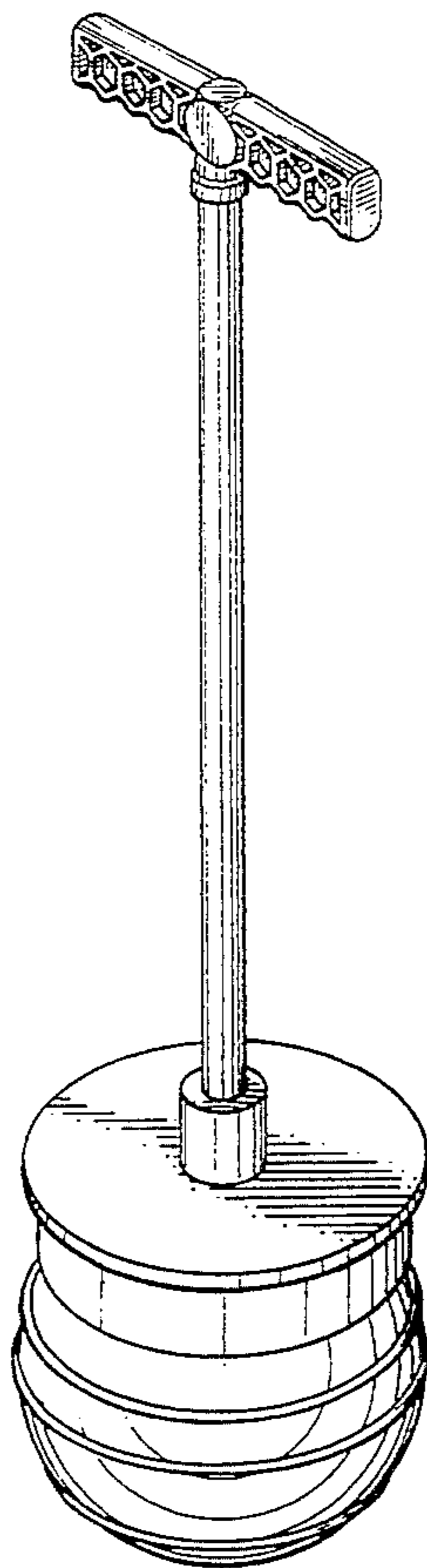


FIG. 1

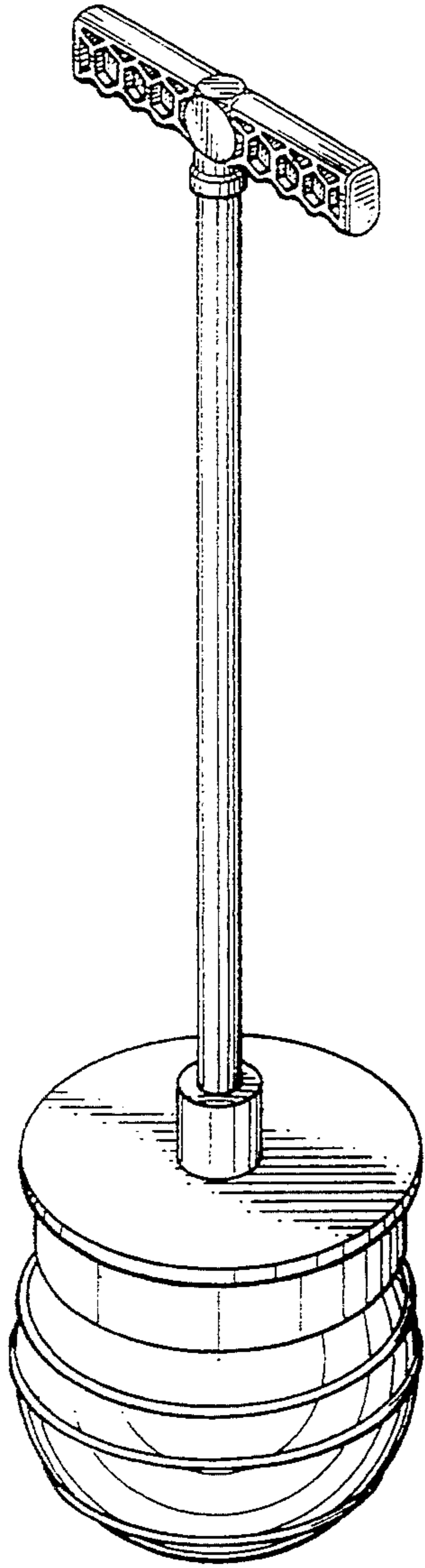


FIG. 2

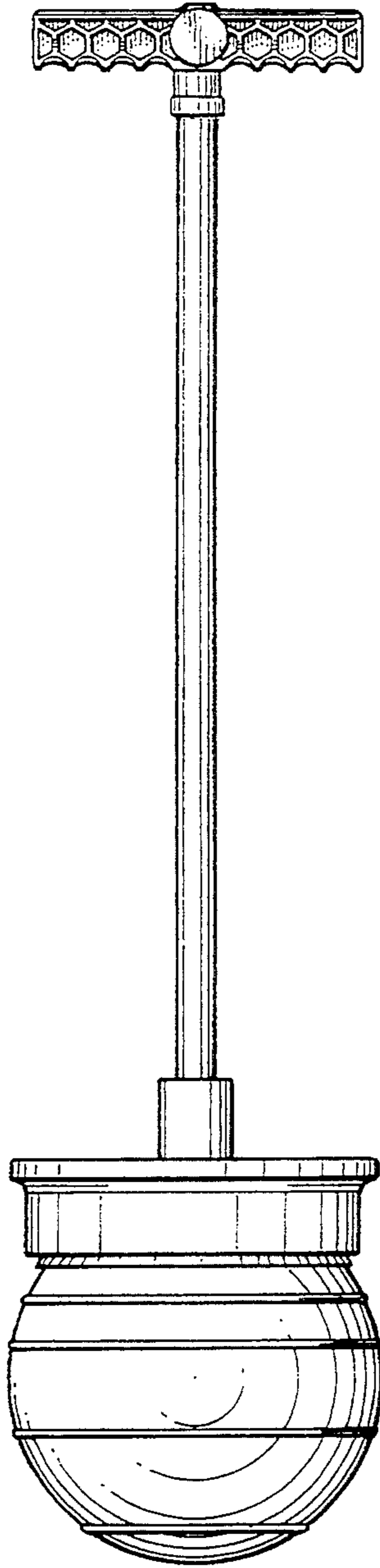


FIG. 3

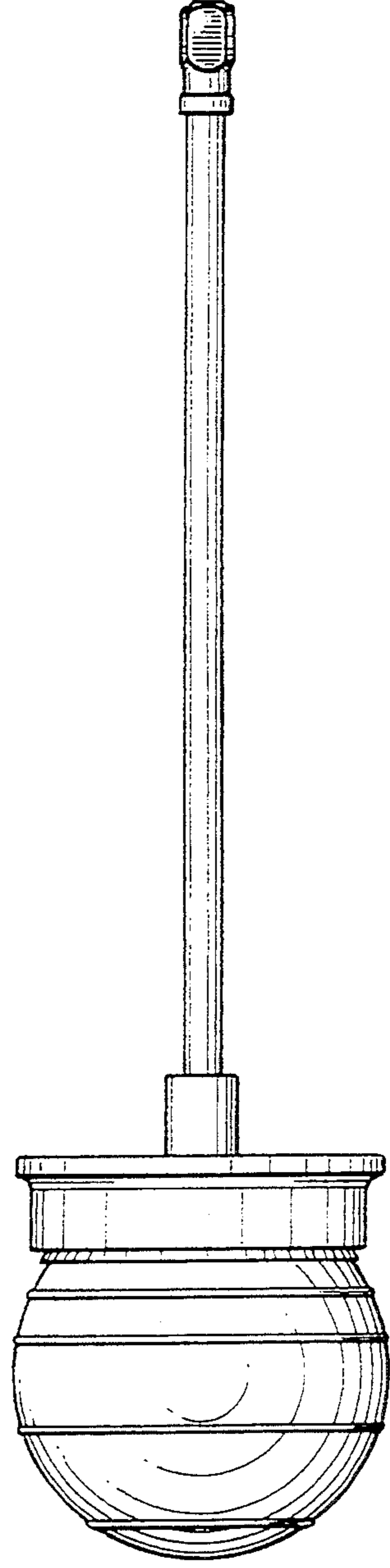


FIG. 4

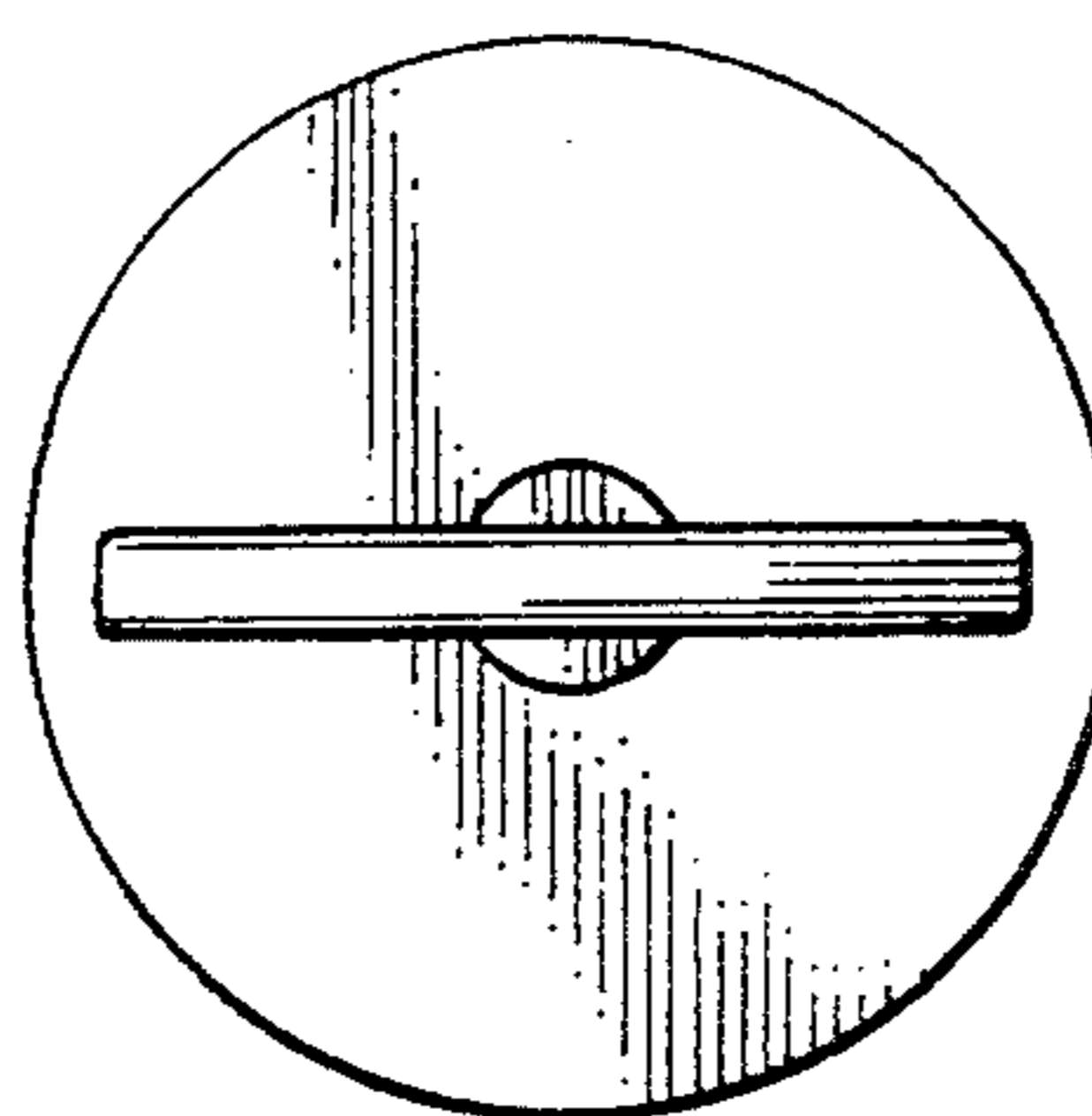


FIG. 5

